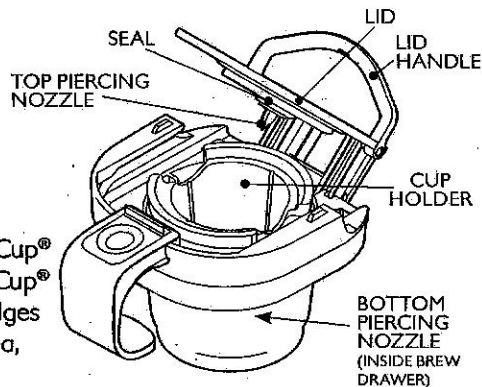


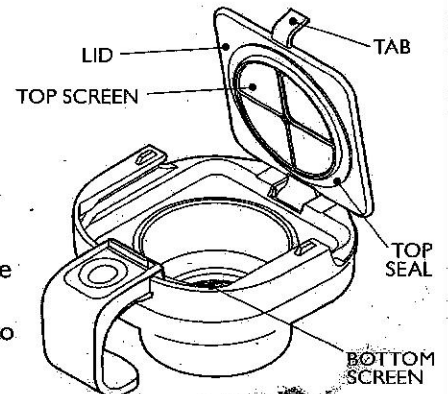
How to Use BUNN® My Café® Multi-Use Brewer Drawers

CUP DRAWER



Works with all K-Cup® cartridges and K-Cup® compatible cartridges including coffee, tea, and hot cocoa.

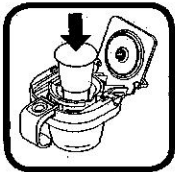
GROUND COFFEE DRAWER



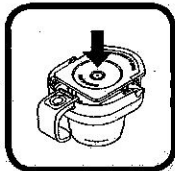
Allows you to brew any ground coffee one cup at a time. Also use loose tea leaves to brew hot tea!



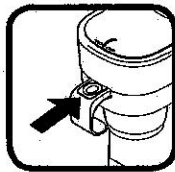
1. To open the Cup Drawer Lid, hold the Drawer handle and lift the Lid Handle to release the Lid. As you lift the Lid, it will pivot away to allow access to the Cup Holder.



2. Insert K-Cup® cartridge into the Cup Holder.

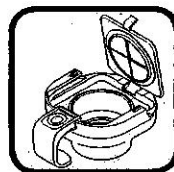


3. Close Lid and push down firmly on the Lid to properly puncture the cartridge.
CAUTION: The Cup Drawer has two sharp points to pierce the cartridge for brewing. Caution should be used when using or cleaning the Drawer to prevent injury.

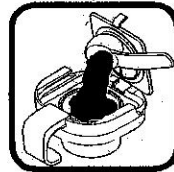


4. Slide Cup Drawer into Drawer Guides and push in to lock into place.
Cup Drawer must be locked into place before brewer will operate.

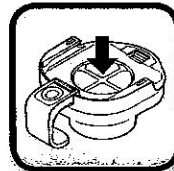
Please refer to Use and Care Manual for brewing instructions



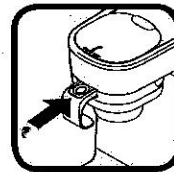
1. To open Ground Coffee Drawer, lift Tab on top of lid.



2. Use coffee scoop (one included) to carefully place ground coffee (up to 20 grams) into the bowl.
We recommend 2 scoops per 10 ounces of water for best results. Do not overfill the bowl. If any coffee grounds get on the edges above the bowl, clean off the coffee grounds before closing the Drawer Lid.



3. Push down the Lid on Ground Coffee Drawer to close.

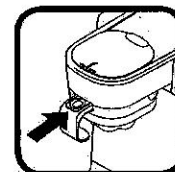
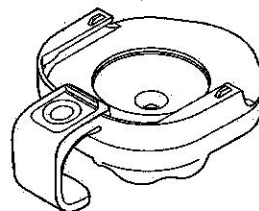


4. Slide Ground Coffee Drawer into Drawer Guides and push in to lock into place.
Ground Coffee Drawer must be locked into place before brewer will operate.

Please refer to Use and Care Manual for brewing instructions

WATER DRAWER

Dispenses hot water on demand to prepare instant coffee, oatmeal, hot cocoa, soup, warm baby bottles and so much more!



To dispense water, insert Drawer into Drawer Guides.

Drawer must be locked into place before brewer will operate.