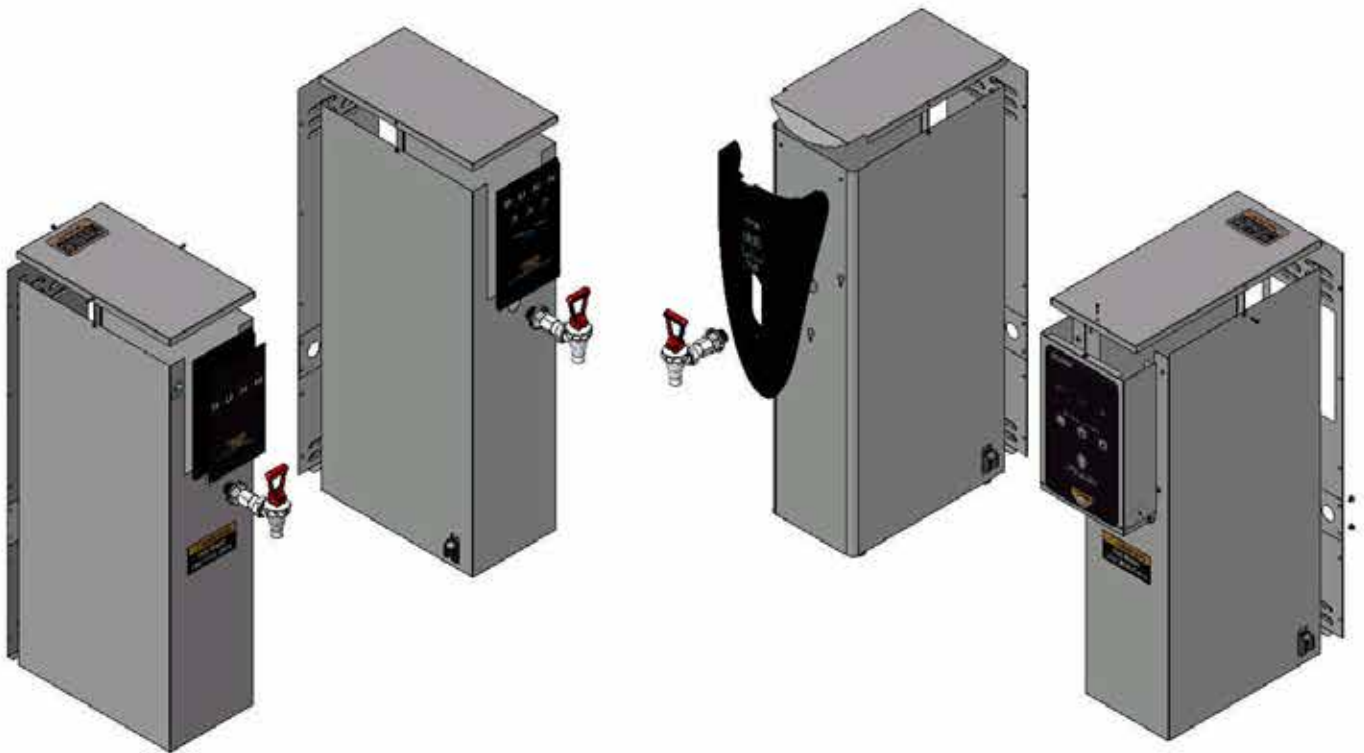

BUNN®

H5 SERIES w/Universal Component Mounting Bracket



ILLUSTRATED PARTS CATALOG

Designs, materials, weights, specifications, and dimensions for equipment or replacement parts are subject to change without notice.

BUNN-O-MATIC CORPORATION

POST OFFICE BOX 3227

SPRINGFIELD, ILLINOIS 62708-3227

PHONE: (217) 529-6601 FAX: (217) 529-6644



BUNN-O-MATIC COMMERCIAL PRODUCT WARRANTY

Bunn-O-Matic Corp. ("BUNN") warrants equipment manufactured by it as follows:

- 1) Airpots, thermal carafes, decanters, GPR servers, iced tea/coffee dispensers, MCP/MCA pod brewers thermal servers and Thermofresh servers (mechanical and digital)- 1 year parts and 1 year labor.
- 2) All other equipment - 2 years parts and 1 year labor plus added warranties as specified below:
 - a) Electronic circuit and/or control boards - parts and labor for 3 years.
 - b) Compressors on refrigeration equipment - 5 years parts and 1 year labor.
 - c) Grinding burrs on coffee grinding equipment to grind coffee to meet original factory screen sieve analysis - parts and labor for 4 years or 40,000 pounds of coffee, whichever comes first.

These warranty periods run from the date of installation BUNN warrants that the equipment manufactured by it will be commercially free of defects in material and workmanship existing at the time of manufacture and appearing within the applicable warranty period. This warranty does not apply to any equipment, component or part that was not manufactured by BUNN or that, in BUNN's judgment, has been affected by misuse, neglect, alteration, improper installation or operation, improper maintenance or repair, non periodic cleaning and descaling, equipment failures related to poor water quality, damage or casualty. In addition, the warranty does not apply to replacement of items subject to normal use including but not limited to user replaceable parts such as seals and gaskets. This warranty is conditioned on the Buyer 1) giving BUNN prompt notice of any claim to be made under this warranty by telephone at (217) 529-6601 or by writing to Post Office Box 3227, Springfield, Illinois 62708-3227; 2) if requested by BUNN, shipping the defective equipment prepaid to an authorized BUNN service location; and 3) receiving prior authorization from BUNN that the defective equipment is under warranty.

THE FOREGOING WARRANTY IS EXCLUSIVE AND IS IN LIEU OF ANY OTHER WARRANTY, WRITTEN OR ORAL, EXPRESS OR IMPLIED, INCLUDING, BUT NOT LIMITED TO, ANY IMPLIED WARRANTY OF EITHER MERCHANTABILITY OR FITNESS FOR A PARTICULAR PURPOSE.

The agents, dealers or employees of BUNN are not authorized to make modifications to this warranty or to make additional warranties that are binding on BUNN. Accordingly, statements by such individuals, whether oral or written, do not constitute warranties and should not be relied upon.

If BUNN determines in its sole discretion that the equipment does not conform to the warranty, BUNN, at its exclusive option while the equipment is under warranty, shall either 1) provide at no charge replacement parts and/or labor (during the applicable parts and labor warranty periods specified above) to repair the defective components, provided that this repair is done by a BUNN Authorized Service Representative; or 2) shall replace the equipment or refund the purchase price for the equipment.

THE BUYER'S REMEDY AGAINST BUNN FOR THE BREACH OF ANY OBLIGATION ARISING OUT OF THE SALE OF THIS EQUIPMENT, WHETHER DERIVED FROM WARRANTY OR OTHERWISE, SHALL BE LIMITED, AT BUNN'S SOLE OPTION AS SPECIFIED HEREIN, TO REPAIR, REPLACEMENT OR REFUND.

In no event shall BUNN be liable for any other damage or loss, including, but not limited to, lost profits, lost sales, loss of use of equipment, claims of Buyer's customers, cost of capital, cost of down time, cost of substitute equipment, facilities or services, or any other special, incidental or consequential damages.

392, A Partner You Can Count On, Air Infusion, AutoPOD, AXIOM, BrewLOGIC, BrewMETER, Brew Better Not Bitter, BrewWISE, BrewWIZARD, BUNN Espresso, BUNN Family Gourmet, BUNN Gourmet, BUNN Pour-O-Matic, BUNN, BUNN with the stylized red line, BUNNlink, Bunn-O-Matic, Bunn-O-Matic, BUNNserve, BUNNSERVE with the stylized wrench design, Cool Froth, DBC, Dr. Brew stylized Dr. design, Dual, Easy Pour, EasyClear, EasyGard, FlavorGard, Gourmet Ice, Gourmet Juice, High Intensity, iMIX, Infusion Series, Intellisteam, My Café, Phase Brew, PowerLogic, Quality Beverage Equipment Worldwide, Respect Earth, Respect Earth with the stylized leaf and coffee cherry design, Safety-Fresh, savemycoffee.com, Scale-Pro, Silver Series, Single, Smart Funnel, Smart Hopper, SmartWAVE, Soft Heat, SplashGard, The Mark of Quality in Beverage Equipment Worldwide, ThermoFresh, Titan, trifecta, Velocity Brew, Air Brew, Beverage Bar Creator, Beverage Profit Calculator, Brew better, not bitter., BUNNSource, Coffee At Its Best, Cyclonic Heating System, Daypart, Digital Brewer Control, Element, Nothing Brews Like a BUNN, Pouring Profits, Signature Series, Tea At Its Best, The Horizontal Red Line, Ultra are either trademarks or registered trademarks of Bunn-O-Matic Corporation. The commercial trifecta® brewer housing configuration is a trademark of Bunn-O-Matic Corporation.

TABLE OF CONTENTS

EXTERIOR COMPONENTS 4

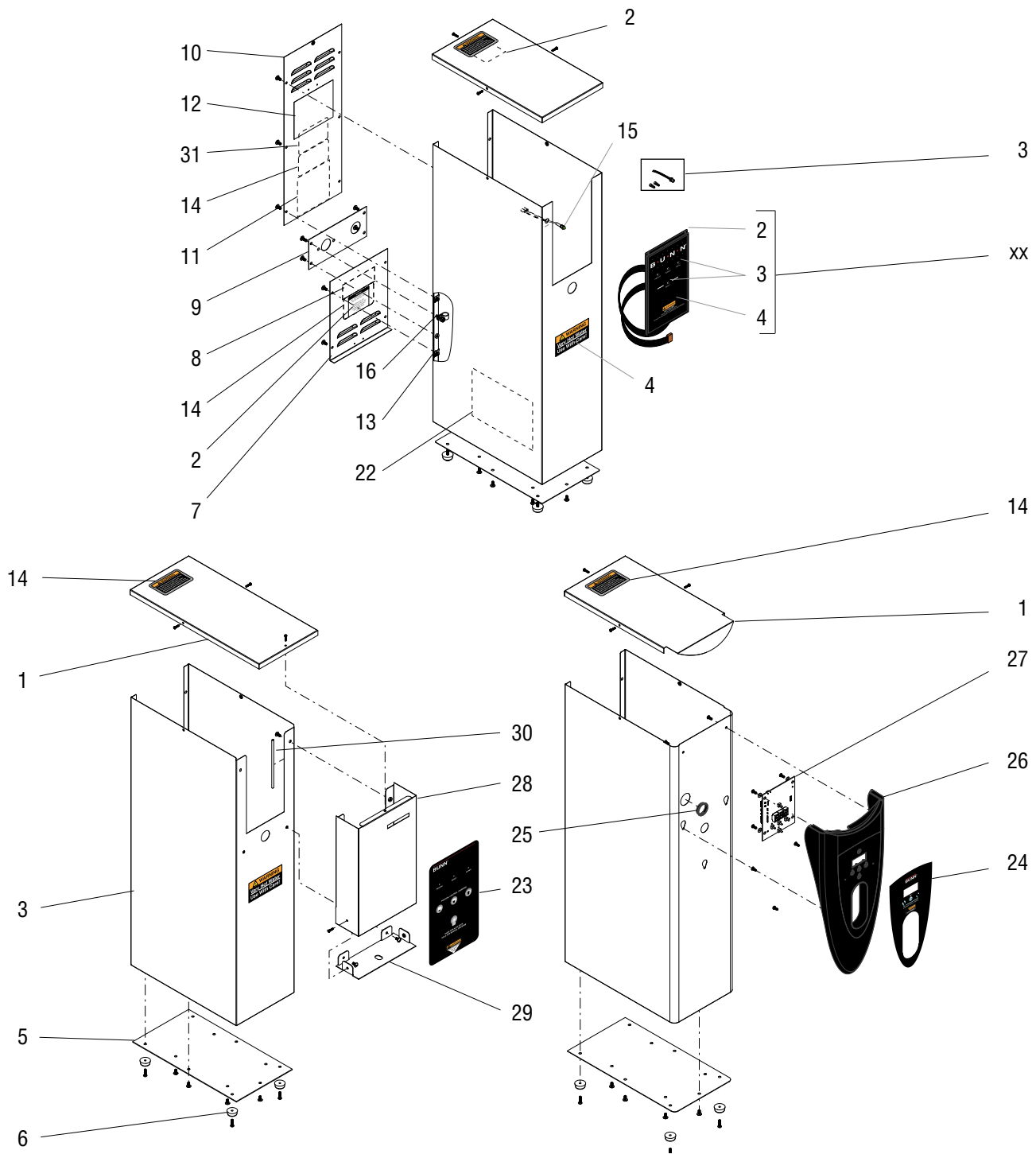
ELECTRICAL COMPONENTS..... 8

TANK HEATER & SAFETY DEVICES..... 12

TANK, INLET & DISPENSE 14

WALL BRACKETS, DRIP TRAY & WIRE SHELF..... 18

NUMERICAL INDEX 20



**EXTERIOR COMPONENTS
DESCRIPTION**

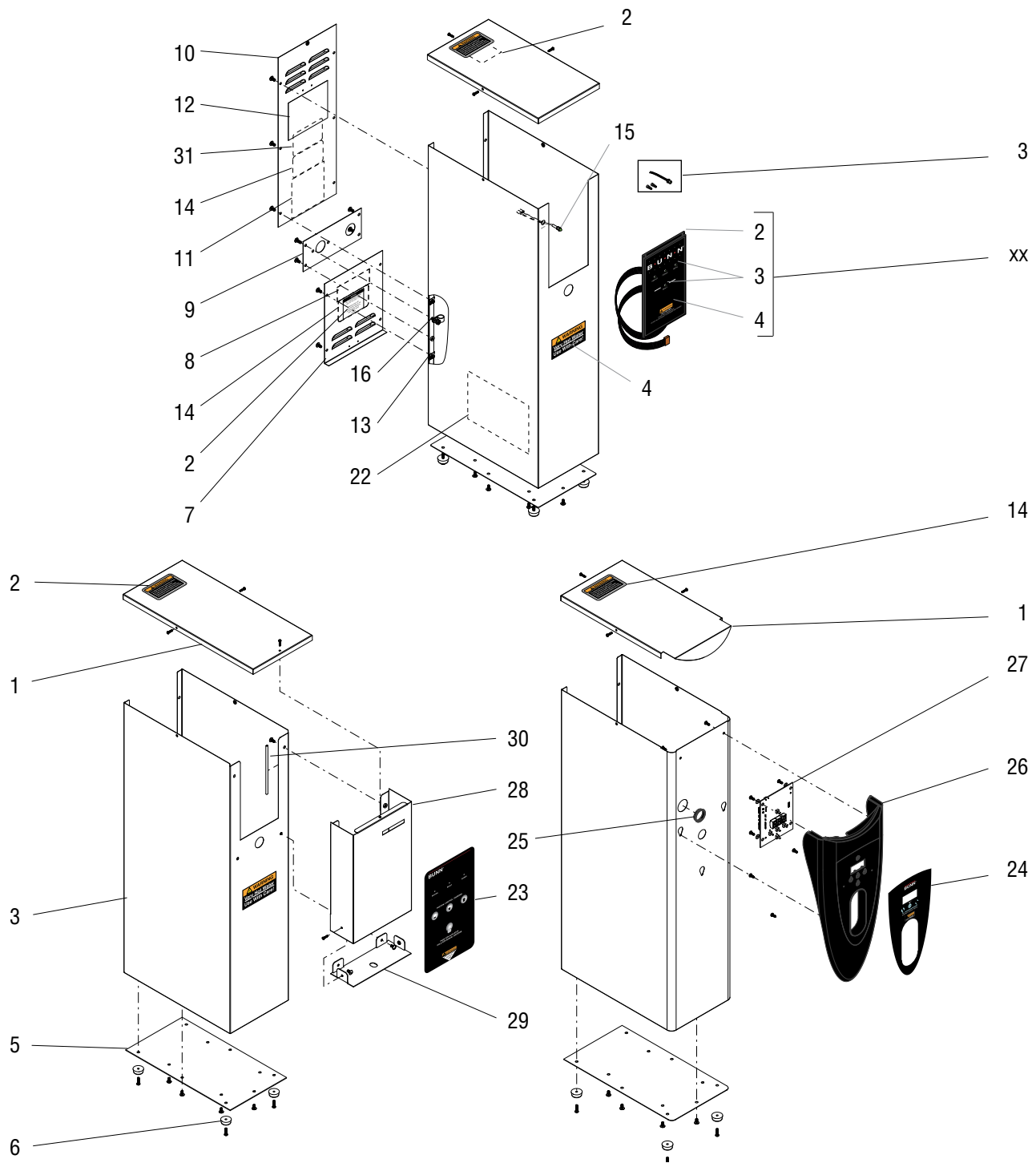
ITEM	PART NO.	QTY.	DESCRIPTION
1	27353.0000	1	Cover W/Decal (Includes item 14) (Does <u>Not</u> Include item 2) H5E/X/M
	12505.0009*	1	Cover (PC) NOT AVAILABLE
	12505.1004	1	Cover W/Decal SST (Includes # 14) ELEMENT
	12505.1005	1	Cover W/Decal Red (Includes # 14) ELEMENT
	12505.1006	1	Cover W/Decal Copper (Includes # 14) ELEMENT
	12505.1007	1	Cover W/Decal Black (Includes # 14) ELEMENT
	12505.1008	1	Cover W/Decal White (Includes # 14) ELEMENT
	01303.0000	3	Screw, Pan Head #4 - 40 X .50"
2	12537.0000*	2	Decal - Notice 200-240V Components (Used on 208 & 240V only) NOT AVAILABLE
3	12503.0033*	1	Housing Wldmt, Sst (No Switch) H5e, Element
	12503.0034*	1	Housing Wldmt, Red Element
	12503.0035*	1	Housing Wldmt, Copper Element
	12503.0036*	1	Housing Wldmt, Black Element
	12503.0037*	1	Housing Wldmt, White Element
	12503.0024*	1	Housing Wldmt, Sst No Switch H5e/X/Ma (Ce)
	12503.0026*	1	Housing Wldmt, Sst W/Switch H5e/X/M
	12503.0027*	1	Housing Wldmt, Sst W/Switch H5e/X/M
	12503.0028*	1	Housing Wldmt, Sst Front Switch H5e/X/M
	12503.0029*	1	Housing Wldmt, Sst (0027 & Shld) H5e/X/M
	12503.0030*	1	Housing Wldmt, Sst (0024 & Shld)H5e/X/Ma (Ce)
	12503.0031*	1	Housing Wldmt, Sst H5-PC 200V
	12503.1005	1	Housing W/Decal (Includes item 4) H5-PC
	12503.0032	1	Housing Wldmt, Sst Element
4	12593.0000	1	Decal, Warning Very Hot Water (Not used on 72° & 100° F Dispensers)
5	12509.0000	1	Plate, Bottom All but ELEMENT
	12509.0002	1	Plate, Bottom ELEMENT ONLY
	01315.0000	7	Screw, Truss Head #8 - 32 X .38"
6	00731.0000	4	Foot, Rubber
	01390.0000	4	Screw, Round Head #8 - 32 X .62"
7	23534.0000	1	Panel W/Decal, Rear - Lower SST (Includes items 8 & 14) H5E/X/M/PC
	12506.1002	1	Panel W/Decal, Rear - Lower Red (Includes items 8 & 14) ELEMENT
	12506.1003	1	Panel W/Decal, Rear - Lower Copper (Includes items 8 & 14) ELEMENT
	12506.1004	1	Panel W/Decal, Rear - Lower Black (Includes items 8 & 14) ELEMENT
	12506.1005	1	Panel W/Decal, Rear - Lower White (Includes items 8 & 14) ELEMENT
	01311.0000	4	Screw, Truss Head #8 - 32 X .25"
8	00656.0001	1	Decal, Comply To Plumbing Code
9	12507.0001	1	Panel, Rear - Middle SST
	12507.1003	1	Panel, Rear - Middle Red
	12507.1004	1	Panel, Rear - Middle Copper
	12507.1005	1	Panel, Rear - Middle Black
	12507.1006	1	Panel, Rear - Middle White
	01311.0000	4	Screw, Truss Head #8 - 32 X .25" (One less used on early models)
	01317.0000	1	Screw, Truss Head #8 - 32 X .50" (Early models)
10	23533.0001	1	Panel W/Decal, Rear - Upper SST (Includes items 11 & 14) (Also order item 12)
	12510.1001	1	Panel W/Decal, Rear - Upper Red (Includes items 11 & 14) (Also order item 12)
	12510.1002	1	Panel W/Decal, Rear - Upper Copper (Includes items 11 & 14) (Also order item 12)
	12510.1003	1	Panel W/Decal, Rear - Upper Black (Includes items 11 & 14) (Also order item 12)
	12510.1004	1	Panel W/Decal, Rear - Upper White (Includes items 11 & 14) (Also order item 12)
	01311.0000	5	Screw, Truss Head #8 - 32 X .25"
	01315.0000	1	Screw, Truss Head #8 - 32 X .38"
11	00831.0000	1	Decal, Warning - Electrical

NOT AVAILABLE

(Continued)

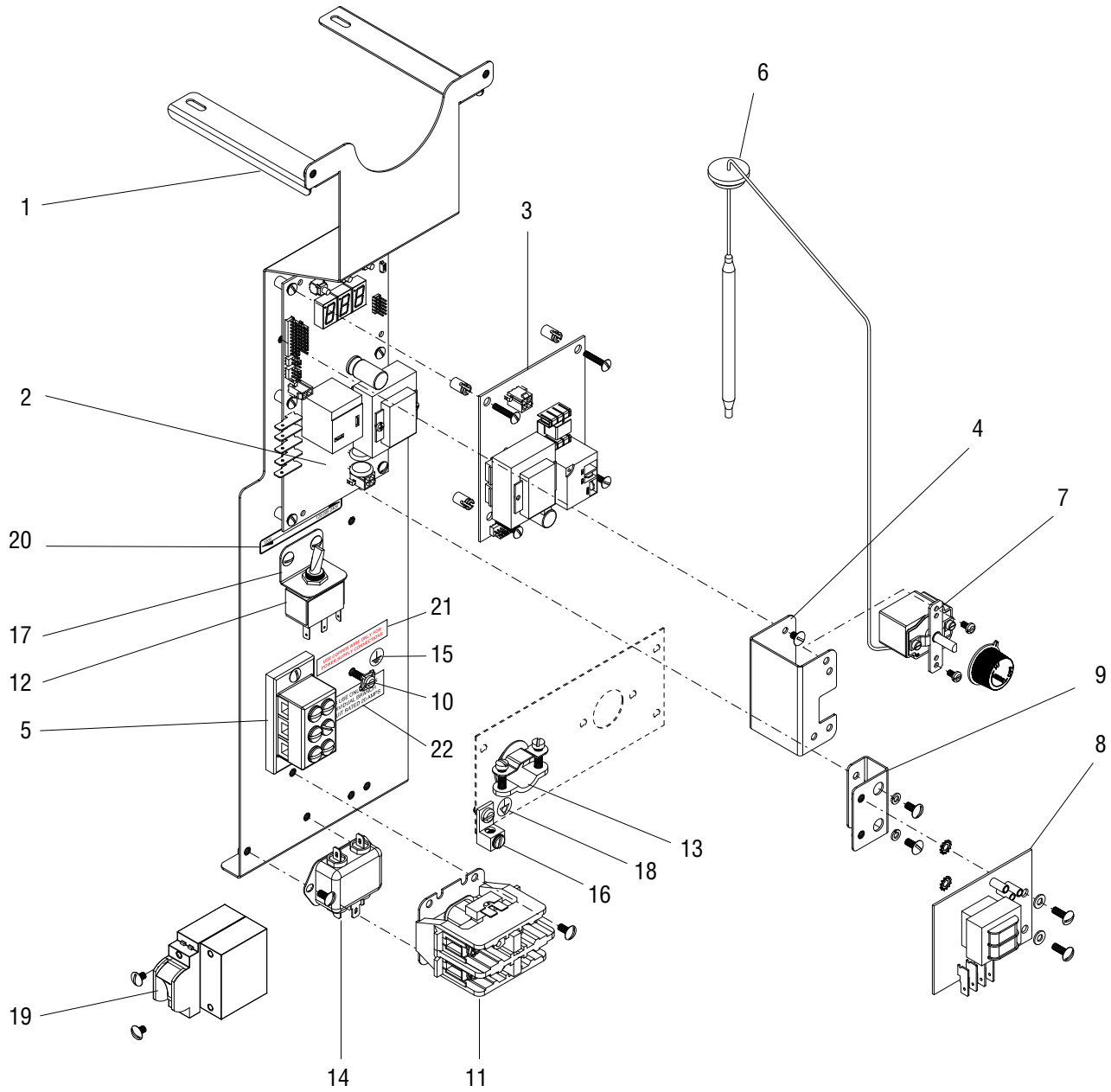
* Indicates the part number listed is for reference only. See DESCRIPTION for possible service replacement.

(Continued)



**EXTERIOR COMPONENTS
DESCRIPTION**

ITEM	PART NO.	QTY.	DESCRIPTION
12	40708.0000	1	Schematic, Electrical 120V H5E (w/ Digital Control Board)
	40710.0000	1	Schematic, Electrical 208-240V H5E (w/ Digital Control Board)
	40709.0000	1	Schematic, Electrical 120V H5X (w/ Digital Control Board)
	40711.0000	1	Schematic, Electrical 208-240V H5X (w/ Digital Control Board)
	10262.0000*	1	Schematic, Electrical 240V (Dispensers W/Ready Light)
	40712.0000	1	Schematic, Electrical 230V H5EA, H5XA (w/ Digital Control Board)
	44657.0000	1	Schematic, Electrical 100V-240V H5 Element
	39333.0000	1	Schematic, Electrical DV PC
	39333.0001	1	Schematic, Electrical 230V CE PC
	39333.0002	1	Schematic, Electrical 200V PC
13	00917.0000	8	Clip, J-Type #8 - 32 (Early models)
14	37881.0000	3	Decal, No Serviceable Parts
15	47575.1000	1	Lamp Assy, Green 120V (Includes Terminal Housing) H5M
	47575.1001	1	Lamp Assy, Green 240V (Includes Terminal Housing) H5MA
	04243.0000	2	Terminal Housing
	20749.0000	1	Decal, Ready (H5M)
16	00603.0000	1	Clamp (Early models)
17	44824.0000*	1	Bracket, Component Mounting (All Models) NOT AVAILABLE
18	21112.1000	1	Panel Assy W/LED Indicators & Decal (H5E/H5X)
19	21033.0000	1	Panel W/Decal (H5E/H5X)
	21033.0001	1	Panel W/Decal (H5M)
20	21031.0000	1	Decal, Decorative (H5E/H5X)
	21031.0001	1	Decal, (H5M)
21	12517.0001	4	Kit, LED Indicator (Includes one LED & item 15)(Not Illustrated) (H5E/X)
	25292.0000	1	Lockwasher M6
	34130.0000	1	Nut M6
	01570.0000	2	Wire Nut, 2-24 AWG Min.
22	25151.0000	1	Shield, Insulator
23	39168.0000	1	Membrane Switch (Portion Control)
24	44025.0000	1	Decal (Element)
25	44222.0000	1	Bushing (Element)
26	44024.1001	1	Kit, Face Plate (Includes Decal & Screws) (Element)
	44224.0000	5	Screw
27	43957.1000	1	Kit, CBA, Display (Element)
	44224.0000	4	Screw
	27088.0000	4	Washer, Nylon 6-32x.3750Dx.025
28	39148.0000	1	Shroud (PC)
	01303.0000	2	Screw, Pan Head #4 - 40 X .50"
	01315.0000	2	Screw, Truss Head #8 - 32 x .38"
	00970.0000	1	Nut, Keps #8 - 32
29	39146.0000	1	Bracket, Dispense Valve Support (PC)
	01315.0000	2	Screw, Truss Head #8 - 32 x .38"
30	38278.1002	-	Edging, Adhesive Lined 36.0" (Cut to fit, 5") (PC)
31	29710.0017	1	Decal, Optional Field Wiring 120V (PC)
	29710.0018	1	Decal, Optional Field Wiring Dual Volt (PC)

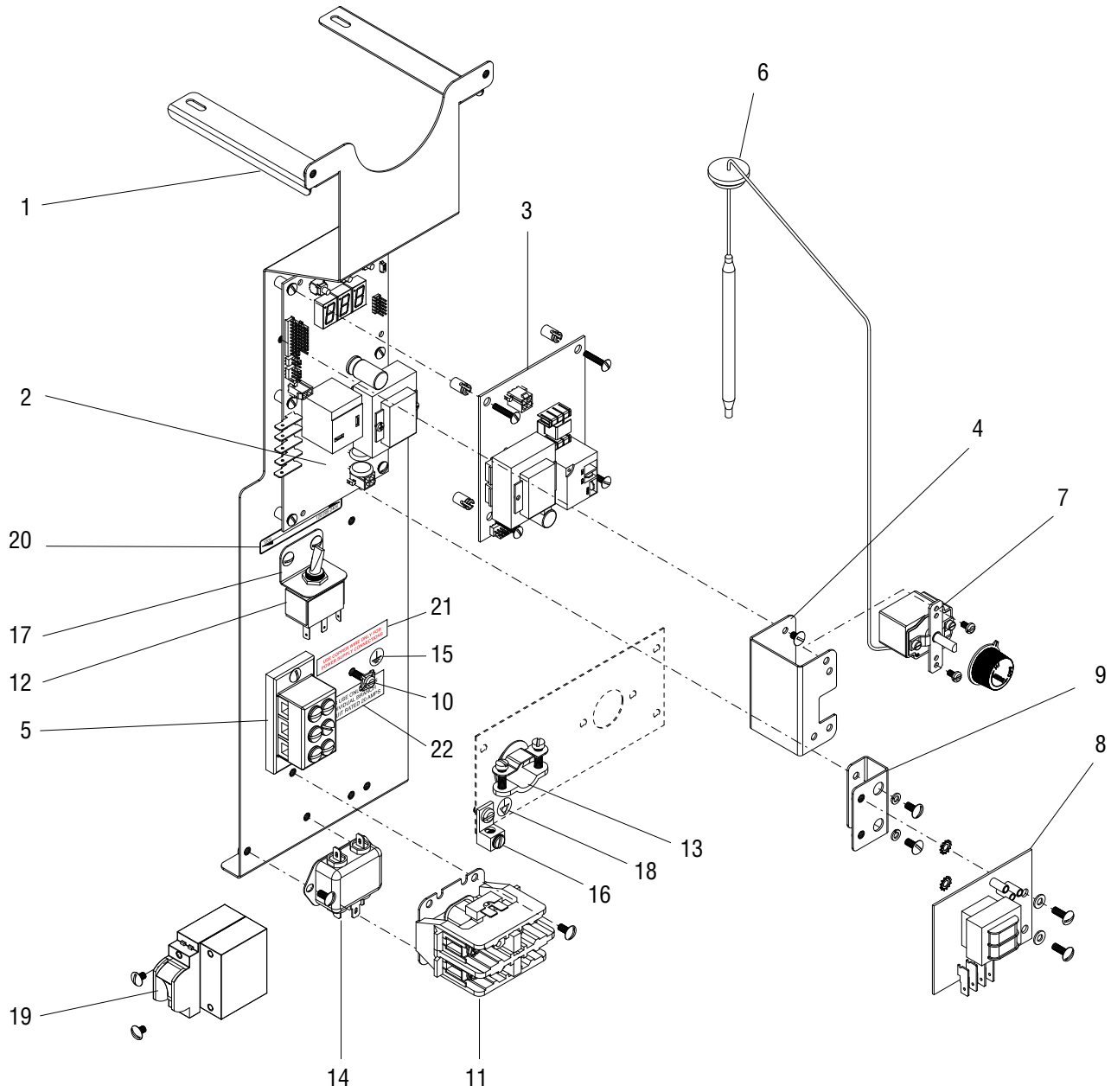


ELECTRICAL COMPONENTS

ITEM	PART NO.	QTY.	DESCRIPTION
1	44824.0000*	1	Bracket, Component Mounting (All Models)
2	40697.1000	1	Control Board, Digital 120V & 240V (H5E/X/PC)
	40697.1001	1	Control Board, Digital 230V CE (H5E/X/PC)
	01388.0000	6	Screw, Pan Head #8 - 32 x .25"
	29081.0000	6	Spacer
3	43958.1000	1	Kit, CBA Main (Element Only)
	01388.0000	4	Screw, Pan Head #8 - 32 x .25"
	29081.0000	4	Spacer
4	28195.0001	1	Bracket, Thermostat Mounting (H5M Only)
	01311.0000	2	Screw, Truss Head #8-32 x .25"
5	01106.0000	1	Terminal Block, 2 Pole (White/Black) 100V-120V
	01106.0001	1	Terminal Block, 2 Pole (Red/Black) 208V-240V
	01106.0003	1	Terminal Block, 2 Pole (Blue/Brown) 230V CE
	07038.0000	1	Terminal Block, 3 Pole (Red/White/Black) DV
	01317.0000	2	Screw, Truss Head #8 - 32 x .50"
6	07073.1000	1	Kit, Grommet
7	03024.0005	1	Kit, Thermostat 120V-240V (H5M Only)
	01310.0000	2	Screw, Pan Head #6 - 32 x .25" (Mounting)
	01520.0000	2	Lockwasher, Split #6
	20762.0000	2	Screw, Binding Head #8-32 x .25" (Terminal)
	00720.0000	1	Knob, Thermostat
8	07074.1030	1	Control Board, Liquid Level 120V
	07074.1029	1	Control Board, Liquid Level 208-240V
	01311.0000	2	Screw, Truss Head #8 - 32 x .25"
	00970.0000	2	Nut, Keps #8 - 32
9	46360.0000	1	Bracket, Control Board Mounting
	01315.0000	2	Screw, Truss Head #8 - 32 X .375"
	01519.0000	2	Lockwashers
10	37804.0000	1	Ground Screw W/Terminal Washer #8 - 32 x .50"
11	06335.1000	1	Contactor Assy, 120V Coil
	06335.1002	1	Contactor Assy, 240V Coil
	27906.1000	1	Contactor Assy, 230V Coil
	01315.0000	2	Screw, Truss Head #8 - 32 X .375"
12	23522.1001	1	Switch, DV (Includes Mounting Nut)
	23696.0000	1	Nut, Mounting
13	32833.1000	1	Strain Relief (CE Models Only)
	01531.0000	1	Washer, Reducing
	01590.0000	1	Cable Connector (Outside CE)
14	29446.0000	1	EMI Filter
	01315.0000	2	Screw, Truss Head #8 - 32 X .375"
	34808.0002	1	Capacitor, (Quick Connect Style)
15	00824.0002	1	Decal, Ground
16	27705.0000	1	Terminal Lug
	01512.0000	1	Lockwasher, Ext. tooth #10

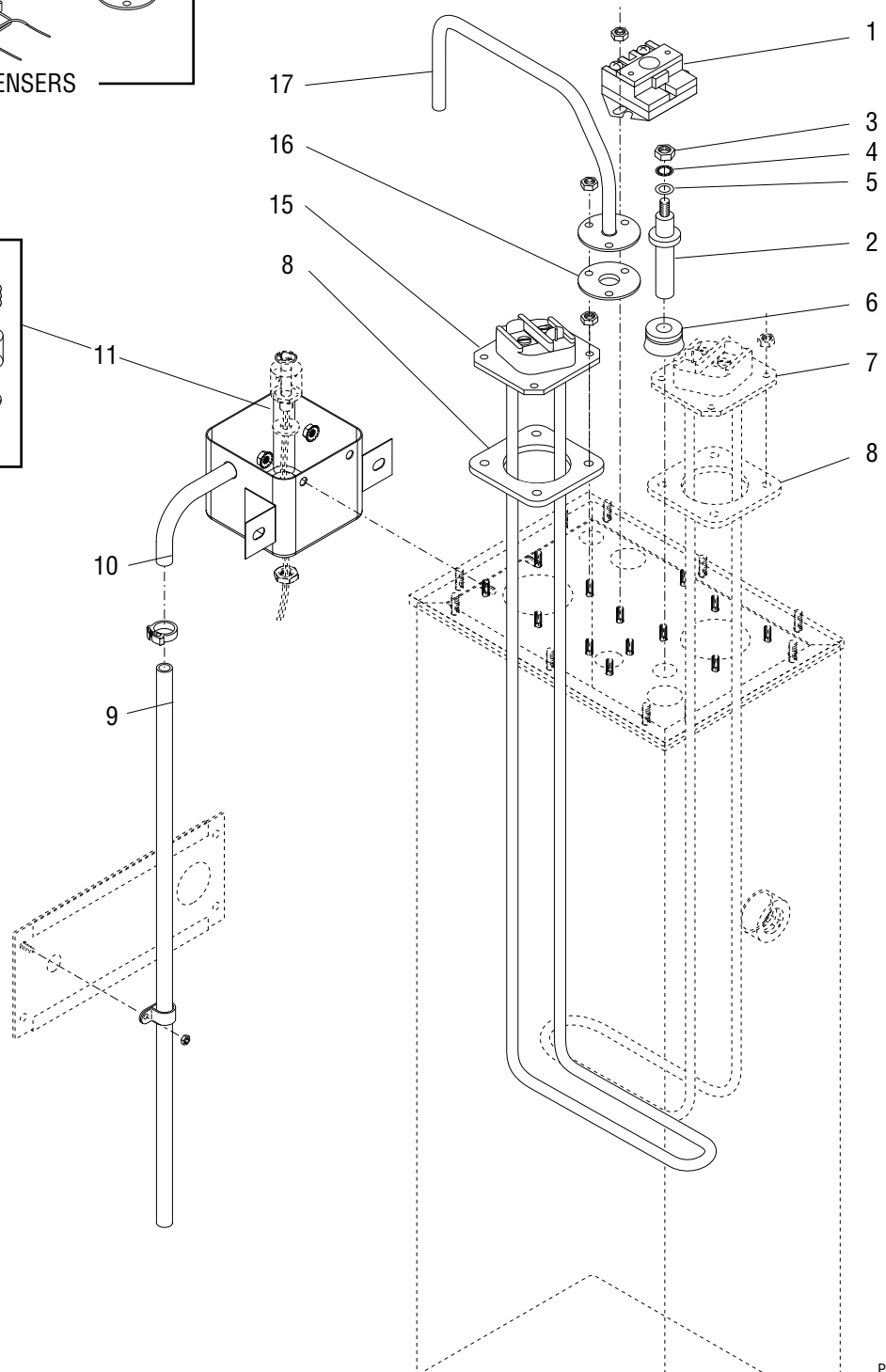
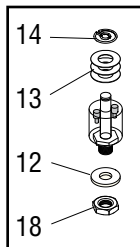
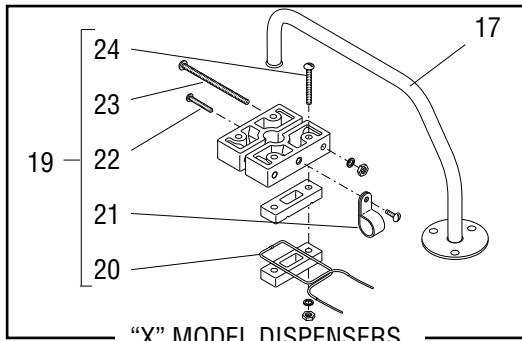
(Continued)

(Continued)



**ELECTRICAL COMPONENTS
DESCRIPTION**

ITEM	PART NO.	QTY.	DESCRIPTION
17	46130.0000	1	Bracket, Switch
18	00824.0001	1	Decal, Equipotentiality
19	38894.0001	1	Switch, Master ON/OFF
	01308.0002	2	Screw, Truss Head, Locking #6-32 x .25" (Mounting)
20	34056.0000	1	Decal, DV Switch
21	00870.0000	1	Decal, Use Copper Wire Only
22	00985.0000	1	Decal, Individual Circuit Info
The following items are not illustrated			
23	12522.0004	1	Wiring Harness, Main 120V (H5M)
	12529.0007	1	Wiring Harness, Main 240V (H5M)
	12529.0008	1	Wiring Harness, Main 230V CE (H5MA)
	12575.0004	1	Wiring Harness, 120V (H5E/X)
	12576.0013	1	Wiring Harness, 208-240V (H5E/X)
	12576.0002	1	Wiring Harness, 230V (H5E/X)
	12576.0006	1	Wiring Harness, Main 230V CE (PC)
	12576.0012	1	Wiring Harness, Main DV (PC)
	12576.0015	1	Wiring Harness, Main 200V (PC)
	12576.0008	1	Wiring Harness, Main 120V, 208V-240V (Element)
	12576.0009	1	Wiring Harness, Main 230V CE (Element)
24	21014.0034	1	Lead Assy, 14AWG Blk 7.0" Tank Heater to Limit (120/240V)
	27945.0000	1	Lead, Thermal Cut-off, Blk 8.5" (230V)
25	38920.0000	1	Wiring Harness, Master Switch to Term Block (Black-Red)
	38920.0004	1	Wiring Harness, Master Switch to Term Block (Black-White)
	38920.0011	1	Wiring Harness, Master Switch to Term Block (Blue-Brown)
26	23799.0001	1	Power Cord (120V) (Models w/Factory Installed 15A Cord Only)
	01638.0000	1	Cord, Power 12/3 SJO-NEMA 5-20P (Models w/Factory Installed 20A Cord Only)
27	39357.0000	1	Wiring Harness, Membrane Switch to Control Board (PC)
28	44821.0000	1	Wiring Harness, LL Probe/Gnd to CBA (Element)
29	44033.0000	1	Wiring Harness, Display CBA to Main CBA (Element)
30	45288.0000	1	Wiring Harness, EMI to Main Switch (Element)
31	40717.0000	1	Lead, Contactor to Heater (Blue) (H5M)
32	40719.0000	1	Lead, Switch to Contactor (White/Violet) (H5M)
33	42095.0000	1	Wiring Harness, Contactor to Limit (H5M)
34	42096.0000	1	Wiring Harness, Limit to Heater (H5M)

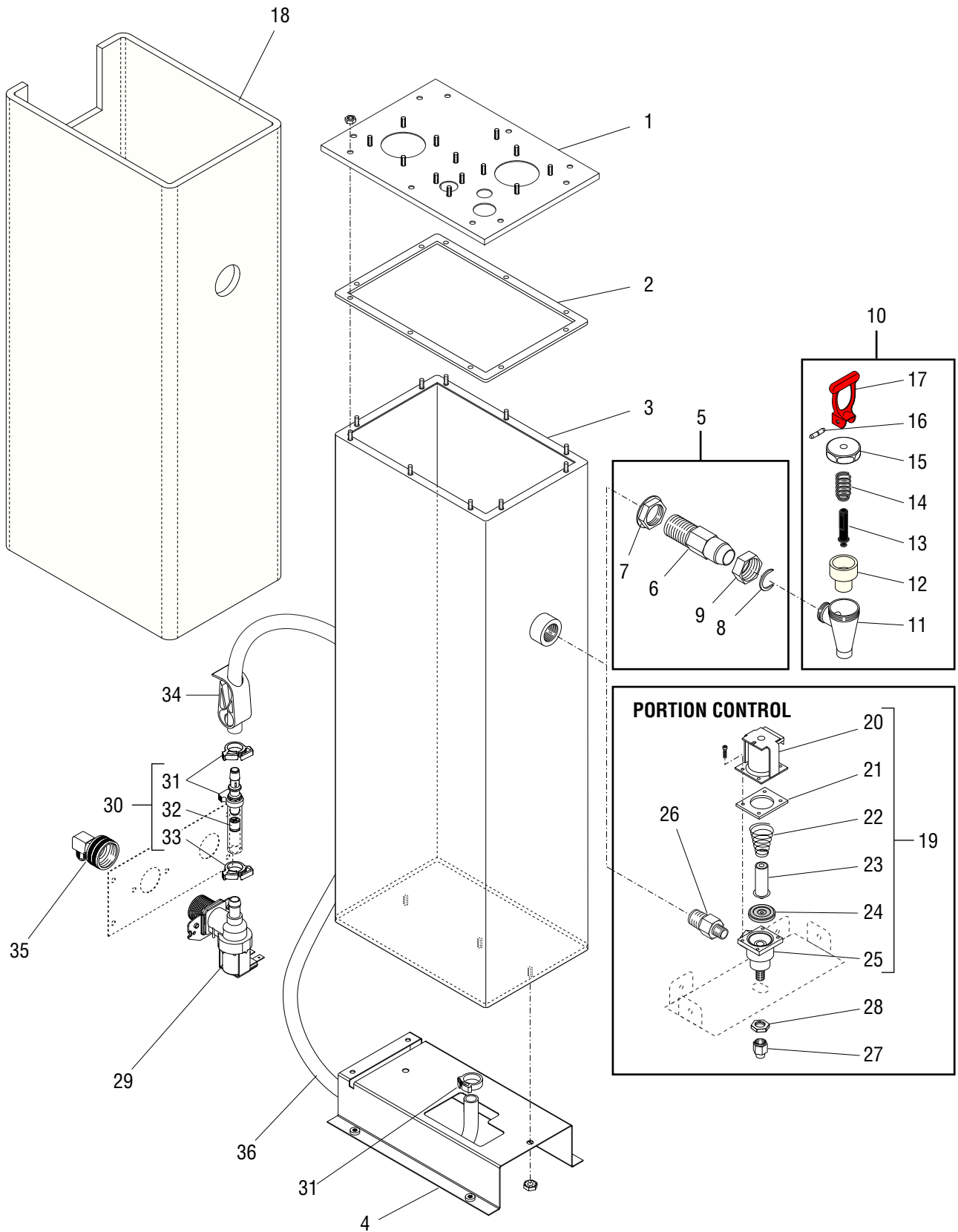


TANK HEATER & SAFETY DEVICES

ITEM	PART NO.	QTY.	DESCRIPTION
1	23717.0003	1	Thermostat, Limit
	00908.0000	2	Nut, Hex #8 - 32
2	02645.1000	1	Probe Kit, Water Level (Includes items 3, 4, & 5)
3	00908.0000	1	Nut, Hex #8 - 32
4	20203.0100	1	Lockwasher, Internal Tooth #8
5	01501.0000	1	Washer .164" I.D. x .375" O.D.
6	38114.0000	1	Grommet, Silicone W/Flange
7	12524.1000	1	Tank Heater Kit 1800W 120V (DUAL VOLT ONLY) Includes item 8
	00908.0000	4	Nut, Hex #8 - 32
8	12398.0000	2	Gasket, Tank Heater
9	03236.1001	-	Tube, Silicone .312" I.D. x 36.0"
10	22728.0000	1	Overflow Cup Assy (Service replacement for both Aluminum and Copper cups)
	00971.0000	2	Nut, Keps #10 - 32
11	03803.0002	1	Switch Assy, Liquid Level 120V (Includes items 12, 13 & 14) with Termianals
12	03633.0000	2	Gasket, Float Switch (Only 1 used in this application)
13	-----	3	Washer, Adjusting (DO NOT USE IN THIS APPLICATION)
14	03807.0000	1	Clip, Spring
15	12524.1000	1	Tank Heater Kit 1800W 120V
	12322.1000	1	Tank Heater Kit 4000W 240V & 230V
	12305.1000	1	Tank Heater Kit 4000W 208V
	12453.1000	1	Tank Heater Kit 6000W 240V
	12452.1000	1	Tank Heater Kit 6000W 208V
	20922.1003	1	Tank Heater Kit 3700W 208V (Used in 200V Models)
	00908.0000	4	Nut, Hex #8 - 32
16	05515.0000	1	Gasket
17	12518.0000	1	Tube, Overflow
	12585.0000	1	Tube, Overflow ("X" Model Dispensers)
	00908.0000	3	Nut, Hex #8 - 32
18	00946.0000	1	Nut, Hex .125" FPT
19	12586.0000	1	Thermistor Assy (Includes items 20 thru 24) ("X" Model Dispensers only)
20	12551.0000	1	Thermistor
21	41760.0000	1	Clamp, Thermistor
	01382.0000	1	Screw, Truss Head #6 - 32 x .38"
22	01388.0000	1	Screw, Truss Head #6 - 32 X .75"
23	02370.0002	2	Screw, Pan Head #6 - 32 x 2.0"
	01520.0000	2	Lockwasher, Split #6
	00906.0000	2	Nut #6 - 32
24	02370.0001	2	Screw, Pan Head #6 - 32 x 1.25"
	01520.0000	2	Lockwasher, Split #6
	00906.0000	2	Nut #6 - 32

Includes item 8

* Indicates the part number listed is for reference only. See DESCRIPTION for possible service replacement.

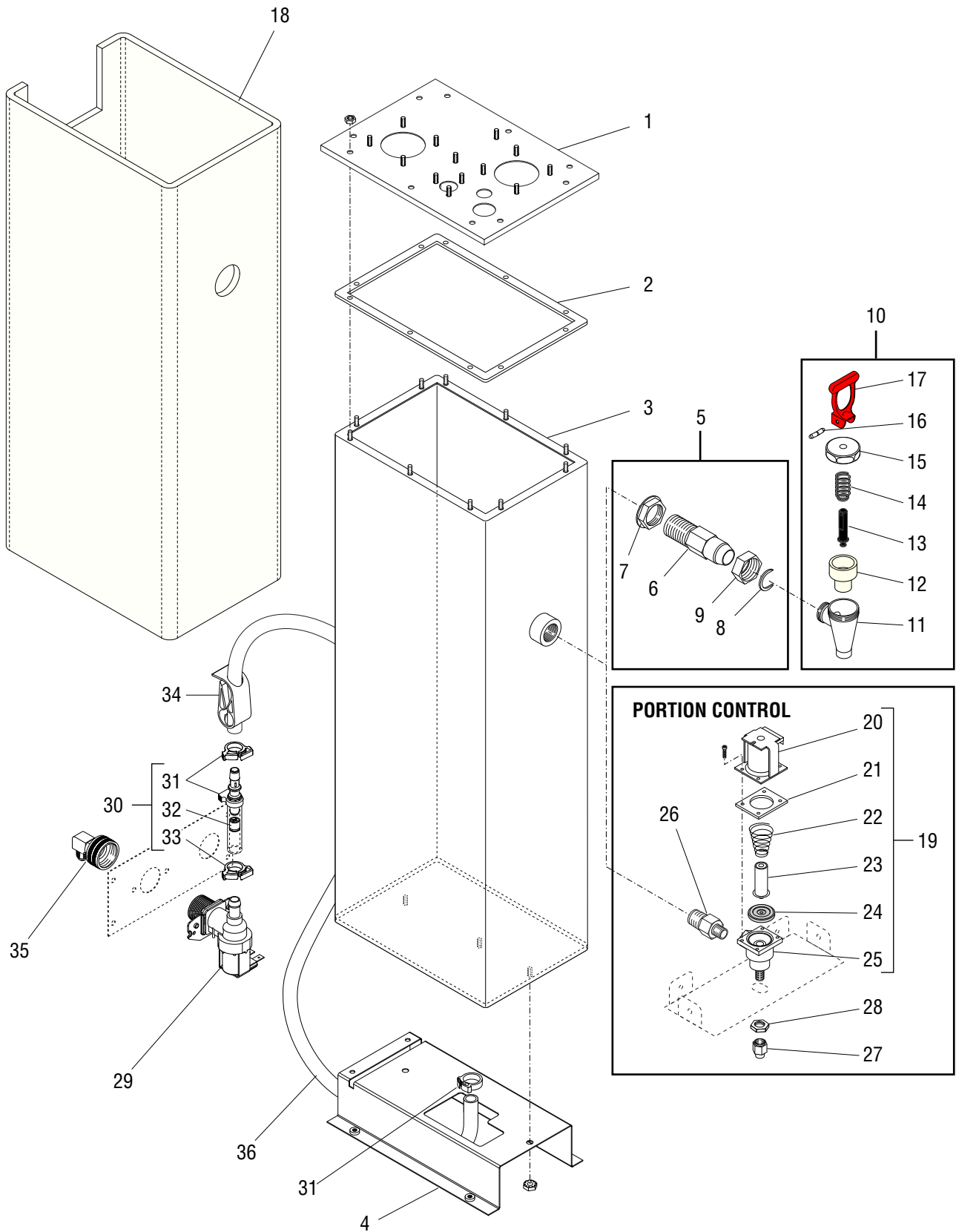


TANK, INLET & DISPENSE
DESCRIPTION

ITEM	PART NO.	QTY.	DESCRIPTION
1	25922.0003	1	Lid, Tank (Single Heater)
	25922.0004	1	Lid, Tank - (Dual Heater)
	00906.0000	10	Nut #6 - 32
2	12377.0000	1	Gasket, Tank lid
3	25920.1010	1	Tank - Flanged bottom
4	12514.0005	1	Bracket, Tank Mounting
	00971.0000	1	Nut, Keps #10 - 32
5	07061.0001	1	Faucet Shank Assy (Includes items 6 thru 9)
6	-----	1	Faucet Shank Body (Not available order item 5)
7	07119.0000	1	Faucet Shank Nut
8	01221.0000	1	Faucet Shank C-Ring
9	01268.0000	1	Faucet Union Nut
10	07094.0001	1	Faucet Assy (Includes items 11 thru 17)
11	-----	1	Faucet Body (Not available order item 10)
12	00600.0001	1	Faucet Seat Cup
13	35271.0001	1	Faucet Stem
14	00601.0000	1	Faucet Spring
15	07127.0003	1	Faucet Bonnet Nut
16	01219.0000	1	Faucet Handle Pin
17	07244.0000	1	Faucet Handle
18	44223.1000	1	Kit, Tank Insulation
19	26846.0000	1	Valve Assy, 120V
	26846.0001	1	Valve Assy, 200V
	26846.0002	1	Valve Assy, 240V
20	22305.0000	1	Coil Assy, 120V
	22305.0002	1	Coil Assy, 230V
	23254.0000	4	Screw, #8 - 32
21	23256.0000	1	Spacer Plate
22	-----	1	Spring (Not available order item 19)
23	-----	1	Plunger (Not available order item 19)
24	23255.0000	1	Diaphragm
25	-----	1	Body (Not available order item 19)
26	39222.0000	1	Fitting, .5" NPTF x .25" NPTF

(Continued)

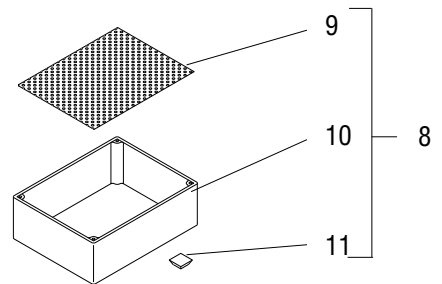
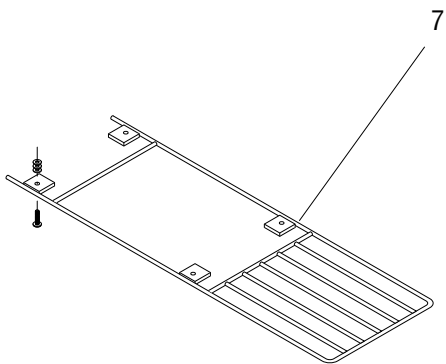
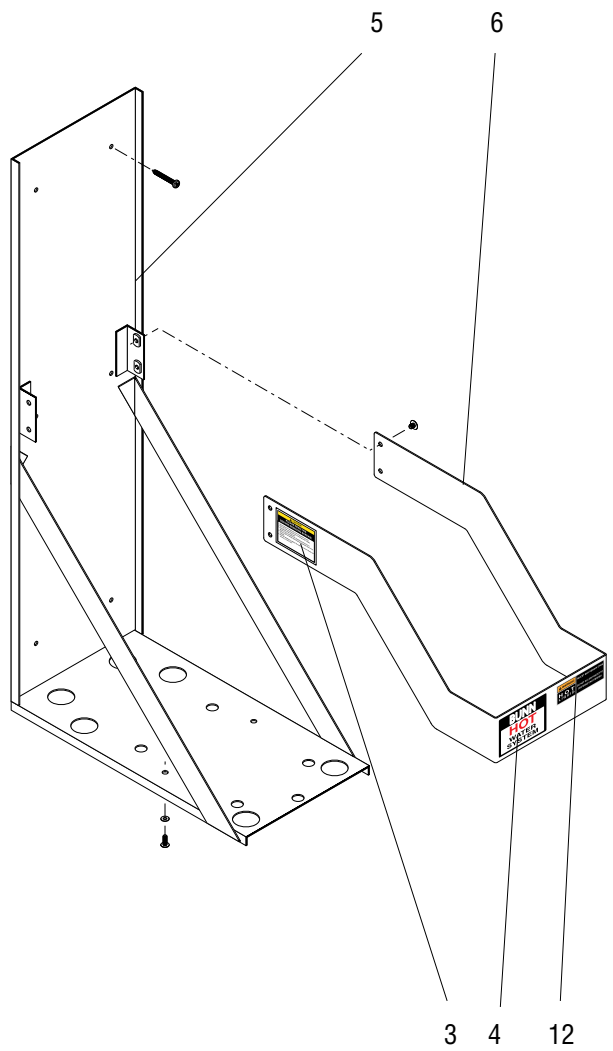
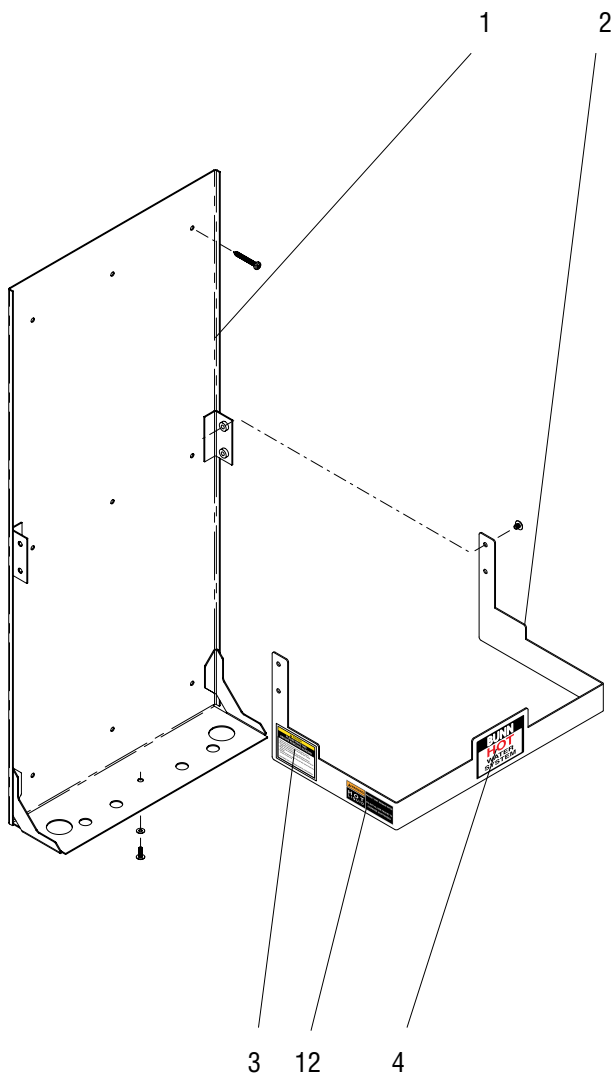
(Continued)



TANK, INLET & DISPENSE			
ITEM	PART NO.	QTY.	DESCRIPTION
27	00924.0000	1	Nut, Flare Chrome Plated .25"
28	01075.0000	1	Nut, .438"-20
29	40506.0016	1	Valve Assy, Inlet 120V
	40506.0015	1	Valve Assy, Inlet 240V
	40506.0017	1	Valve Assy, Inlet 230V CE
	40506.0018	1	Valve Assy, Inlet 200V
	32283.0000	2	Screw, Pan Head M4 x 6mm
	46884.0000	1	Strainer
30	41716.1004	1	Tube Assembly w/Check Valve
31	12422.0001	3	Clamp, SNP-10
32	36378.0001	1	Check Valve
33	12422.0005	1	Clamp, SNP-12
34	11630.0001	1	Clamp, Shut Off
35	37297.1006	1	Elbow .25" Flare x .75" FTHD
36	20976.0000*	1	Tube, Silicone .375" ID X 30" LG (Not Available, Order # 39)

The following items are not illustrated

37	28710.0000	-	Faucet Repair Kit (Includes items 12,13,14 & 17)
38	11517.0008	-	Repair Kit, Dispense Valve (Includes one each of spring, plunger and diaphragm)
39	20976.1001	-	Tube, .375" ID x 3' (Use as required)
	20976.1002	-	Tube, .375" ID x 10' (Use as required)
	20976.1004	-	Tube, .375" ID x 250' (Use as required)



WALL BRACKETS, DRIP TRAY & WIRE SHELF

ITEM	PART NO.	QTY.	DESCRIPTION
1	-----	1	Wall Bracket, Side Mounting (See Sales Manual for Wall Bracket Kit)
	02334.0000	6	Screw, Pan Head Phillips #10 x 1.50"
	01501.0000	1	Washer .164" I.D. x .375" O.D.
	01317.0000	1	Screw, Truss-hd #8-32 x .50"
2	12549.1001	1	Support Strap W/Decals (Includes items 3, 4 & 12)
	01326.0000	4	Screw, Truss Head #10 - 32 x .25"
3	12556.0000	2	Decal, Caution Dispenser Removal
4	00657.0002	1	Decal, Bunn Hot Water
5	-----	1	Wall Bracket, Front Mounting (See Sales Manual for Wall Bracket Kit)
	02334.0000	6	Screw, Pan Head Phillips #10 x 1.50"
	01501.0000	2	Washer .164" I.D. x .375" O.D.
	01317.0000	2	Screw, Truss-hd #8-32 x .50"
6	13127.1001	1	Support Strap W/Decals (Includes items 3, 4 & 12)
	01326.0000	4	Screw, Truss Head #10 - 32 x .25"
7	12599.0000	1	Wire Shelf Kit (Includes mounting hardware)
	01503.0000	12	Washer, Flat .25" I.D. x .56" O.D. (Use as required)
	01370.0000	4	Screw, Pan Head #8 - 32 x .75"
8	02497.0000	1	Drip Tray Assy (Includes items 9 thru 11)
9	02546.0000	1	Cover, Drip Tray
10	02545.0000	1	Drip Tray
11	02547.0000	4	Foot, Rubber
12	12538.0000	1	Decal, Caution - Hot Liquid

* Indicates the part number listed is for reference only. See DESCRIPTION for possible service replacement.

NUMERICAL INDEX

PART NO.	PAGE NO.	PART NO.	PAGE NO.	PART NO.	PAGE NO.	PART NO.	PAGE NO.
00600.0001.....	15	03633.0000.....	13	12509.0000.....	5	23799.0001.....	11
00601.0000.....	15	03803.0002.....	13	12509.0002.....	5	25151.0000.....	7
00603.0000.....	7	03807.0000.....	13	12510.1001.....	5	25292.0000.....	7
00656.0001.....	5	04243.0000.....	7	12510.1002.....	5	25920.1010.....	15
00657.0002.....	19	05515.0000.....	13	12510.1003.....	5	25922.0003.....	15
00720.0000.....	9	06335.1000.....	9	12510.1004.....	5	25922.0004.....	15
00731.0000.....	5	06335.1002.....	9	12514.0005.....	15	26846.0000.....	15
00824.0001.....	11	07038.0000.....	9	12517.0001.....	7	26846.0001.....	15
00824.0002.....	9	07061.0001.....	15	12518.0000.....	13	26846.0002.....	15
00831.0000.....	5	07073.1000.....	9	12522.0004.....	11	27088.0000.....	7
00870.0000.....	11	07074.1029.....	9	12524.1000.....	13	27353.0000.....	5
00906.0000.....	13,15	07074.1030.....	9	12529.0007.....	11	27705.0000.....	9
00908.0000.....	13	07094.0001.....	15	12529.0008.....	11	27906.1000.....	9
00917.0000.....	7	07119.0000.....	15	12537.0000.....	5	27945.0000.....	11
00924.0000.....	17	07127.0003.....	15	12538.0000.....	19	28195.0001.....	9
00946.0000.....	13	07244.0000.....	15	12549.1001.....	19	28710.0000.....	17
00970.0000.....	7,9	10262.0000.....	7	12551.0000.....	13	29081.0000.....	9
00971.0000.....	13,15	11517.0008.....	17	12556.0000.....	19	29446.0000.....	9
00985.0000.....	11	11630.0001.....	17	12575.0004.....	11	29710.0017.....	7
01075.0000.....	17	12305.1000.....	13	12576.0002.....	11	29710.0018.....	7
01106.0000.....	9	12322.1000.....	13	12576.0006.....	11	32283.0000.....	17
01106.0001.....	9	12377.0000.....	15	12576.0008.....	11	32833.1000.....	9
01106.0003.....	9	12398.0000.....	13	12576.0009.....	11	34056.0000.....	11
01219.0000.....	15	12422.0001.....	17	12576.0012.....	11	34130.0000.....	7
01221.0000.....	15	12422.0005.....	17	12576.0013.....	11	34808.0002.....	9
01268.0000.....	15	12452.1000.....	13	12576.0015.....	11	35271.0001.....	15
01303.0000.....	5,7	12453.1000.....	13	12585.0000.....	13	36378.0001.....	17
01308.0002.....	11	12503.0024.....	5	12586.0000.....	13	37297.1006.....	17
01310.0000.....	9	12503.0026.....	5	12593.0000.....	5	37804.0000.....	9
01311.0000.....	5,9	12503.0027.....	5	12599.0000.....	19	37881.0000.....	7
01315.0000.....	5,7,9	12503.0028.....	5	13127.1001.....	19	38114.0000.....	13
01317.0000.....	5,9,19	12503.0029.....	5	20203.0100.....	13	38278.1002.....	7
01326.0000.....	19	12503.0030.....	5	20749.0000.....	7	38894.0001.....	11
01370.0000.....	19	12503.0031.....	5	20762.0000.....	9	38920.0000.....	11
01382.0000.....	13	12503.0032.....	5	20922.1003.....	13	38920.0004.....	11
01388.0000.....	9,13	12503.0033.....	5	20976.0000.....	17	38920.0011.....	11
01390.0000.....	5	12503.0034.....	5	20976.1001.....	17	39146.0000.....	7
01501.0000.....	13,19	12503.0035.....	5	20976.1002.....	17	39148.0000.....	7
01503.0000.....	19	12503.0036.....	5	20976.1004.....	17	39168.0000.....	7
01512.0000.....	9	12503.0037.....	5	21014.0034.....	11	39222.0000.....	15
01519.0000.....	9	12503.1005.....	5	21031.0000.....	7	39333.0000.....	7
01520.0000.....	9,13	12505.0009.....	5	21031.0001.....	7	39333.0001.....	7
01531.0000.....	9	12505.1004.....	5	21033.0000.....	7	39333.0002.....	7
01570.0000.....	7	12505.1005.....	5	21033.0001.....	7	39357.0000.....	11
01590.0000.....	9	12505.1006.....	5	21112.1000.....	7	40506.0015.....	17
01638.0000.....	11	12505.1007.....	5	22305.0000.....	15	40506.0016.....	17
02334.0000.....	19	12505.1008.....	5	22305.0002.....	15	40506.0017.....	17
02370.0001.....	13	12506.1002.....	5	22728.0000.....	13	40506.0018.....	17
02370.0002.....	13	12506.1003.....	5	23254.0000.....	15	40697.1000.....	9
02497.0000.....	19	12506.1004.....	5	23255.0000.....	15	40697.1001.....	9
02545.0000.....	19	12506.1005.....	5	23256.0000.....	15	40708.0000.....	7
02546.0000.....	19	12507.0001.....	5	23522.1001.....	9	40709.0000.....	7
02547.0000.....	19	12507.1003.....	5	23533.0001.....	5	40710.0000.....	7
02645.1000.....	13	12507.1004.....	5	23534.0000.....	5	40711.0000.....	7
03024.0005.....	9	12507.1005.....	5	23696.0000.....	9	40712.0000.....	7
03236.1001.....	13	12507.1006.....	5	23717.0003.....	13	40717.0000.....	11

NUMERICAL INDEX

PART NO.	PAGE NO.	PART NO.	PAGE NO.	PART NO.	PAGE NO.	PART NO.	PAGE NO.
40719.0000.....	11						
41716.1004.....	17						
41760.0000.....	13						
42095.0000.....	11						
42096.0000.....	11						
43957.1000.....	7						
43958.1000.....	9						
44024.1001.....	7						
44025.0000.....	7						
44033.0000.....	11						
44222.0000.....	7						
44223.1000.....	15						
44224.0000.....	7						
44657.0000.....	7						
44821.0000.....	11						
44824.0000.....	7,9						
45288.0000.....	11						
46130.0000.....	11						
46360.0000.....	9						
46884.0000.....	17						
47575.1000.....	7						
47575.1001.....	7						