

BUNN®

LCA-1

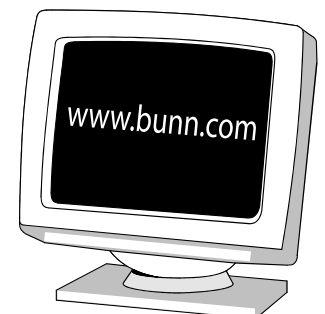


ILLUSTRATED PARTS CATALOG

Designs, materials, weights, specifications, and dimensions for equipment or replacement parts are subject to change without notice.

BUNN-O-MATIC CORPORATION

POST OFFICE BOX 3227
SPRINGFIELD, ILLINOIS 62708-3227
PHONE: (217) 529-6601 FAX: (217) 529-6644



BUNN-O-MATIC COMMERCIAL PRODUCT WARRANTY

Bunn-O-Matic Corp. ("BUNN") warrants equipment manufactured by it as follows:

- 1) Airpots, thermal carafes, decanters, GPR servers, iced tea/coffee dispensers, MCR/MCP/MCA single cup brewers, thermal servers and ThermoFresh® servers (mechanical and digital) 1 year parts and 1 year labor.
- 2) All other equipment - 2 years parts and 1 year labor plus added warranties as specified below:
 - a) Electronic circuit and/or control boards - parts and labor for 3 years.
 - b) Compressors on refrigeration equipment - 5 years parts and 1 year labor.
 - c) Grinding burrs on coffee grinding equipment to grind coffee to meet original factory screen sieve analysis - parts and labor for 4 years or 40,000 pounds of coffee, whichever comes first.

These warranty periods run from the date of installation BUNN warrants that the equipment manufactured by it will be commercially free of defects in material and workmanship existing at the time of manufacture and appearing within the applicable warranty period. This warranty does not apply to any equipment, component or part that was not manufactured by BUNN or that, in BUNN's judgment, has been affected by misuse, neglect, alteration, improper installation or operation, improper maintenance or repair, non periodic cleaning and descaling, equipment failures related to poor water quality, damage or casualty. In addition, the warranty does not apply to replacement of items subject to normal use including but not limited to user replaceable parts such as seals and gaskets. This warranty is conditioned on the Buyer 1) giving BUNN prompt notice of any claim to be made under this warranty by telephone at (217) 529-6601 or by writing to Post Office Box 3227, Springfield, Illinois 62708-3227; 2) if requested by BUNN, shipping the defective equipment prepaid to an authorized BUNN service location; and 3) receiving prior authorization from BUNN that the defective equipment is under warranty.

THE FOREGOING WARRANTY IS EXCLUSIVE AND IS IN LIEU OF ANY OTHER WARRANTY, WRITTEN OR ORAL, EXPRESS OR IMPLIED, INCLUDING, BUT NOT LIMITED TO, ANY IMPLIED WARRANTY OF EITHER MERCHANTABILITY OR FITNESS FOR A PARTICULAR PURPOSE. The agents, dealers or employees of BUNN are not authorized to make modifications to this warranty or to make additional warranties that are binding on BUNN. Accordingly, statements by such individuals, whether oral or written, do not constitute warranties and should not be relied upon.

If BUNN determines in its sole discretion that the equipment does not conform to the warranty, BUNN, at its exclusive option while the equipment is under warranty, shall either 1) provide at no charge replacement parts and/or labor (during the applicable parts and labor warranty periods specified above) to repair the defective components, provided that this repair is done by a BUNN Authorized Service Representative; or 2) shall replace the equipment or refund the purchase price for the equipment.

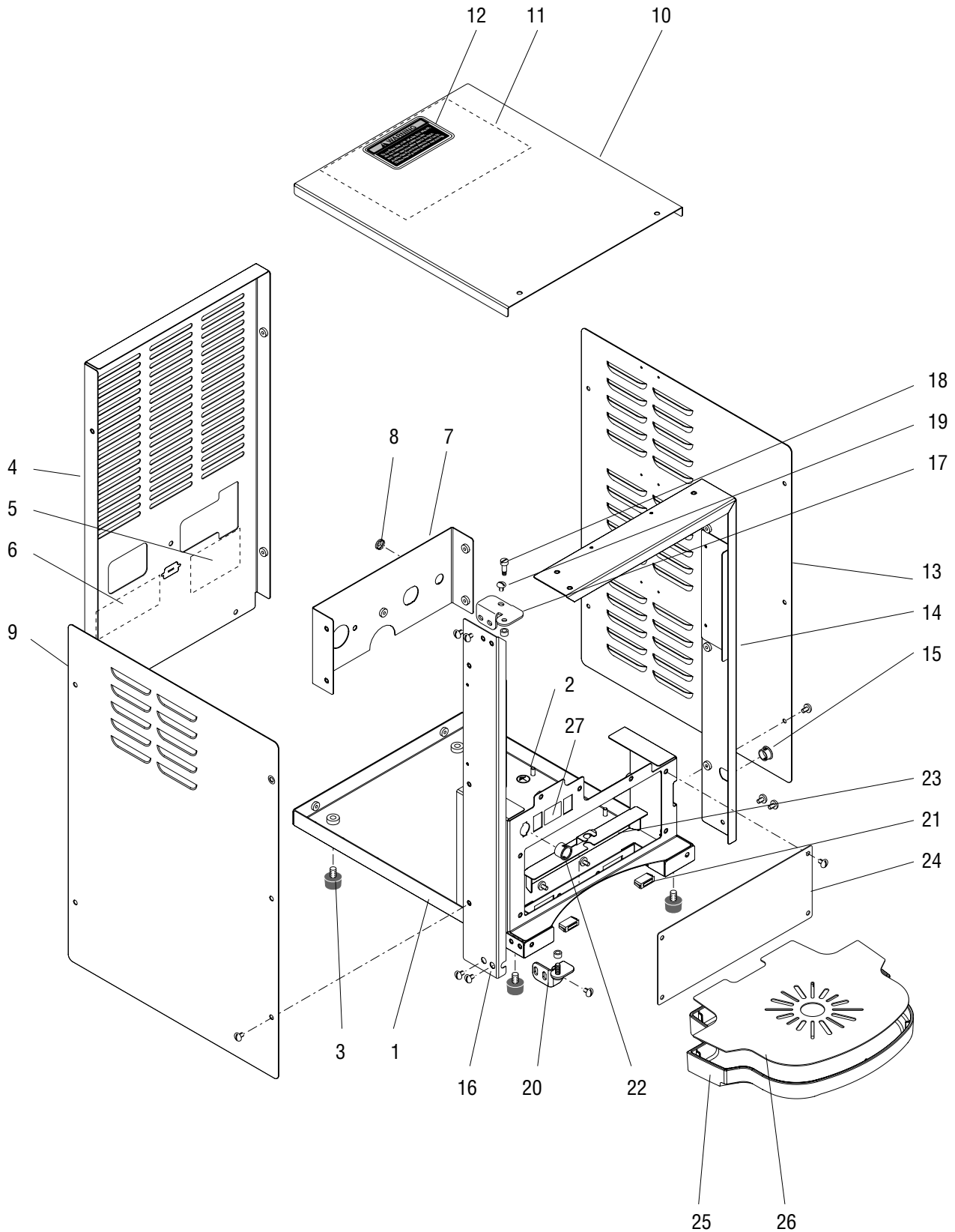
THE BUYER'S REMEDY AGAINST BUNN FOR THE BREACH OF ANY OBLIGATION ARISING OUT OF THE SALE OF THIS EQUIPMENT, WHETHER DERIVED FROM WARRANTY OR OTHERWISE, SHALL BE LIMITED, AT BUNN'S SOLE OPTION AS SPECIFIED HEREIN, TO REPAIR, REPLACEMENT OR REFUND.

In no event shall BUNN be liable for any other damage or loss, including, but not limited to, lost profits, lost sales, loss of use of equipment, claims of Buyer's customers, cost of capital, cost of down time, cost of substitute equipment, facilities or services, or any other special, incidental or consequential damages.

392, A Partner You Can Count On, Air Infusion, AutoPOD, AXIOM, BrewLOGIC, BrewMETER, Brew Better Not Bitter, BrewWISE, BrewWIZARD, BUNN Espresso, BUNN Family Gourmet, BUNN Gourmet, BUNN Pour-O-Matic, BUNN, BUNN with the stylized red line, BUNNlink, Bunn-O-Matic, Bunn-O-Matic, BUNNserve, BUNNSERVE with the stylized wrench design, Cool Froth, DBC, Dr. Brew stylized Dr. design, Dual, Easy Pour, EasyClear, EasyGard, FlavorGard, Gourmet Ice, Gourmet Juice, High Intensity, iMIX, Infusion Series, Intellisteam, My Café, Phase Brew, PowerLogic, Quality Beverage Equipment Worldwide, Respect Earth, Respect Earth with the stylized leaf and coffee cherry design, Safety-Fresh, savemycoffee.com, Scale-Pro, Silver Series, Single, Smart Funnel, Smart Hopper, SmartWAVE, Soft Heat, SplashGard, The Mark of Quality in Beverage Equipment Worldwide, ThermoFresh, Titan, trifacta, TRIFECTA (stylized logo), Velocity Brew, Air Brew, Beverage Bar Creator, Beverage Profit Calculator, Brew better, not bitter., Build-A-Drink, BUNNSource, Coffee At Its Best, Cyclonic Heating System, Daypart, Digital Brewer Control, Element, Milk Texturing Fusion, Nothing Brews Like a BUNN, Picture Prompted Cleaning, Pouring Profits, Signature Series, Sure Tamp, Tea At Its Best, The Horizontal Red Line, Ultra are either trademarks or registered trademarks of Bunn-O-Matic Corporation. The commercial trifacta® brewer housing configuration is a trademark of Bunn-O-Matic Corporation.

TABLE OF CONTENTS

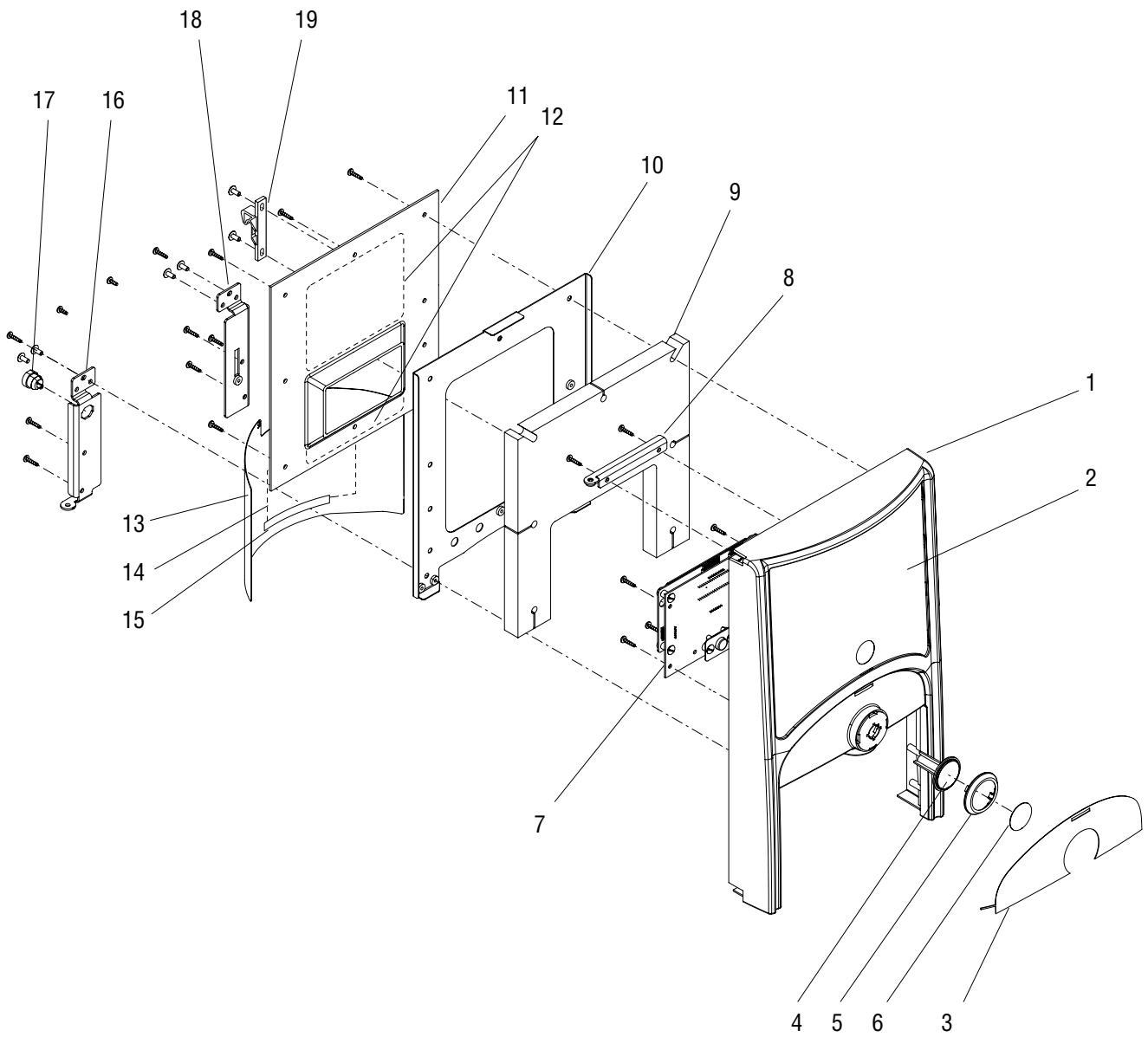
Cabinet Assembly	8
Dispense Valve and Lines.....	14
Door Assembly	6
Electrical Components	20
Housing, Panels & Drip Tray	4
Inlet Valve & Tank Drain.....	12
Numerical Index.....	22
Pump Assembly.....	10
Tank Assembly.....	18



HOUSING, PANELS AND DRIP TRAY

ITEM	PART NO.	QTY.	DESCRIPTION
1	44091.0000*	1	Base (Not serviced)
2	00824.0002	1	Decal, Ground Screw
3	25137.0000	4	Foot
4	43569.1003 01311.0003	1 4	Panel w/Decals, Rear (Includes items 5 & 6) Screw, Truss Head BLK #8-32 x .25"
5	00986.0002	1	Decal, Warning - Electrical
6	00656.0001	1	Decal, Comply to Plumbing Code
7	43658.0001 01311.0000	1 4	Panel, Rear Access Screw, Truss Head #8-32 x .25"
8	00619.0010	1	Plug
9	44089.0001 01311.0003	1 5	Panel, Left Side Screw, Truss Head BLK #8-32 x .25"
10	44717.1000 01311.0003	1 2	Top Cover w/Decals (Includes items 11 & 12) Screw, Truss Head BLK #8-32 x .25"
11	25151.0008	1	Shield, Insulator
12	37881.0000	1	Decal, No Serviceable Parts
13	44085.0001 01311.0003	1 5	Panel, Right Side Screw, Truss Head BLK #8-32 x .25"
14	43377.0001 01315.0005	1 1	Bracket, Door Frame Screw, Truss Head BLK #8-32 x .38"
15	00669.0004	1	Plug
16	43660.0001 01315.0000	1 3	Bracket, Door Frame Screw, Truss Head #8-32 x .38"
17	37578.0001 01311.0000	1 3	Bracket, Upper Hinge Screw, Truss Head #8-32 x .25"
18	29504.0004	1	Shoulder Screw
19	37825.0000	2	Spacer
20	43570.0001 01315.0005	1 3	Bracket, Lower Hinge Screw, Truss Head BLK #8-32 x .38"
21	21436.0000	2	Catch, Magnetic
22	00614.0001	1	Bushing
23	43897.0001 01311.0000	1 2	Bracket, Drip Tray Locator Screw, Truss Head #8-32 x .25"
24	43371.0000 01311.0000	1 4	Panel, Front Access Screw, Truss Head #8-32 x .25"
25	43578.1000	1	Drip Tray
26	43375.0000	1	Cover, Drip Tray
27	-----	1	Decal (See 44710.0000 on DOOR ASSY)

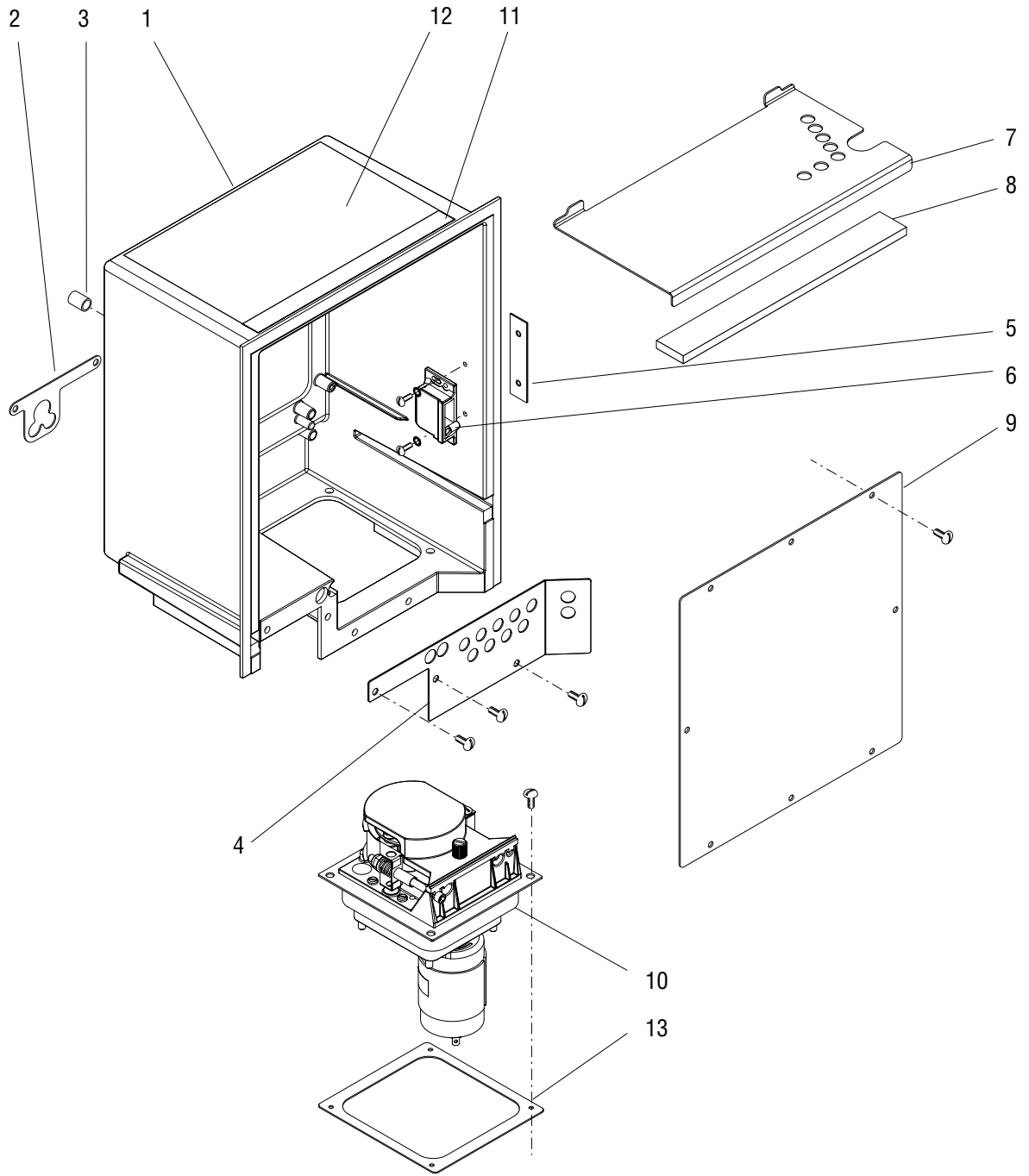
* Indicates the part number listed is for reference only. See DESCRIPTION for possible service replacement.



DOOR ASSEMBLY

ITEM	PART NO.	QTY.	DESCRIPTION
-	43334.1001	1	Door Assembly (Includes items 1-21)
1	43333.0000	1	Door
2	43654.1000	1	Decal, Door Graphic (Bunn)
3	43655.0000	1	Membrane Switch
4	43360.0000	1	Fill Button
5	43359.0000	1	Retainer, Button
6	43657.0000	1	Decal, Center Fill
7	44112.1000	1	Touch Screen Assy
	44646.0001	6	Screw, Pan Head #6-19
8	38072.0000	1	Hinge, Top
	44646.0001	2	Screw, Pan Head #6-19
9	43345.0000	1	Insulation, Door
10	43352.0000	1	Bracket, Door Support
11	43344.0000	1	Panel, Inner Door
	44646.0001	6	Screw, Pan Head #6-19
	01315.0000	2	Screw, Truss Head #8-32 x .38"
12	44709.0000	1	Decal, Cleaning
13	43343.0000	1	Panel, Splash
	01360.0000	1	Screw, Pan Head #6-32 x .38"
14	44710.0000	1	Decal, Tube Replacement
15	11646.0002	1	Decal, Warning - Hot Liquid
16	43348.0000	1	Bracket, Door Hinge Lower
	01315.0000	2	Screw, Truss Head #8-32 x .38"
	44646.0001	3	Screw, Pan Head #6-19
17	00713.0000	1	Bushing, Strain Relief
18	43821.0000	1	Bracket, Door Latch
	01315.0000	2	Screw, Truss Head #8-32 x .38"
	44646.0001	3	Screw, Pan Head #6-19
19	34667.0000	1	Keeper, Door Latch
	01315.0000	2	Screw, Truss Head #8-32 x .38"
20	44231.0000	1	Wiring Harness, Door (Not Illustrated)
21	45423.0000	1	Decal Set, Portion Size (Not Illustrated)

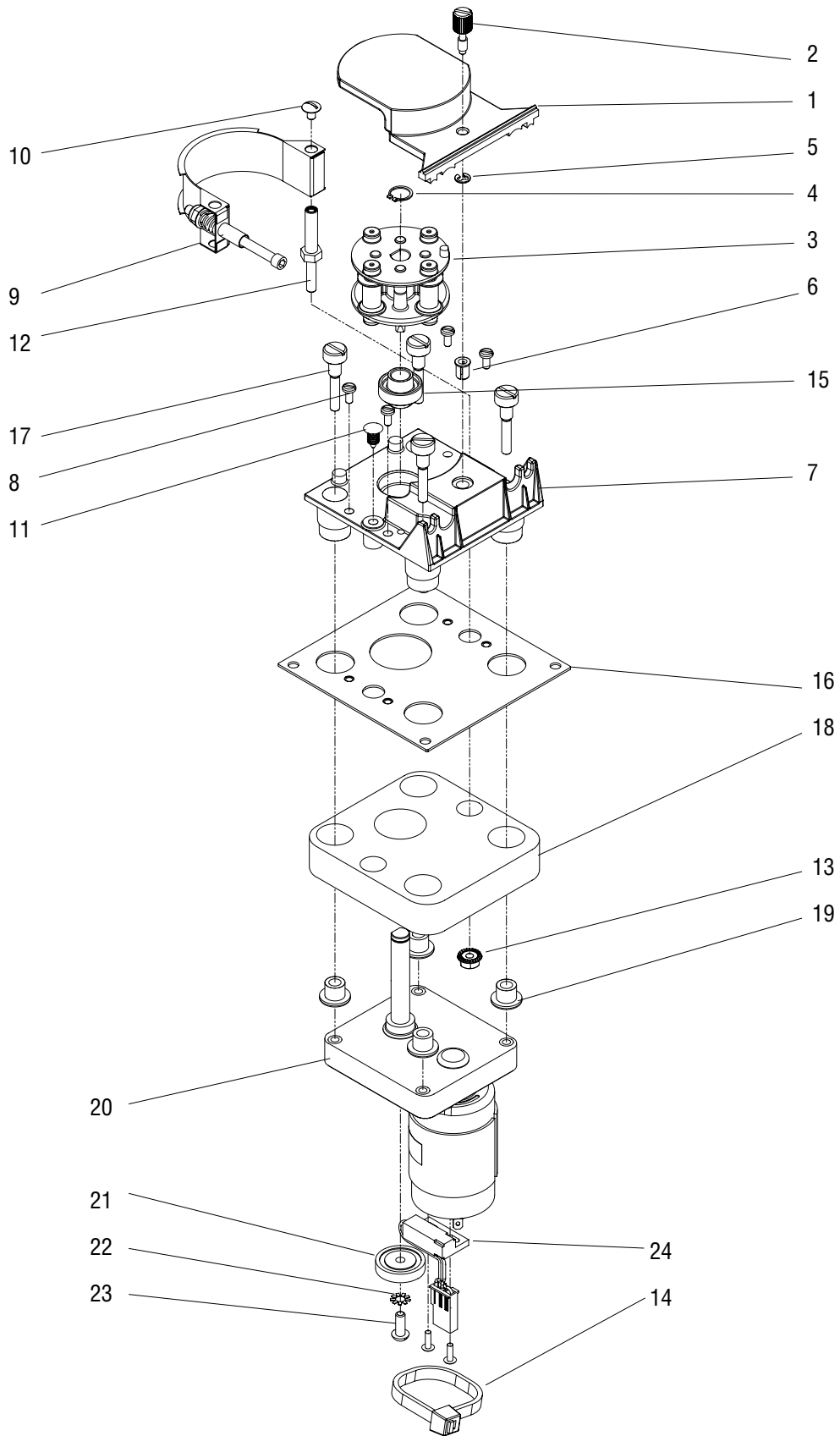
* Indicates the part number listed is for reference only. See DESCRIPTION for possible service replacement.



CABINET ASSEMBLY

ITEM	PART NO.	QTY.	DESCRIPTION
1	43335.0000	1	Cabinet
2	43899.0000	1	Bracket
3	12919.0006	1	Plug
4	43572.0001	1	Bracket
	01315.0000	3	Screw, Truss Head #8-32 x .38"
5	34533.0000	1	Plate
6	34666.0000	1	Catch, Door Latch
	48817.0000	2	Screw, Pan Head #4-40 x .50"
7	43351.0000	1	Bracket, Cabinet Shelf
8	43739.0000	1	Foam
9	44087.0001	1	Panel
	39044.0000	8	Screw, Pan Head #6 x 48-2
10	-----	1	Pump Assy (See PUMP ASSEMBLY)
	01317.0000	4	Screw, Truss Head #8-32 x .50"
11	40843.0000	1	Envelope
12	44869.0000	1	Schematic, Electrical
13	43577.0000	1	Plate, Motor Mounting

* Indicates the part number listed is for reference only. See DESCRIPTION for possible service replacement.

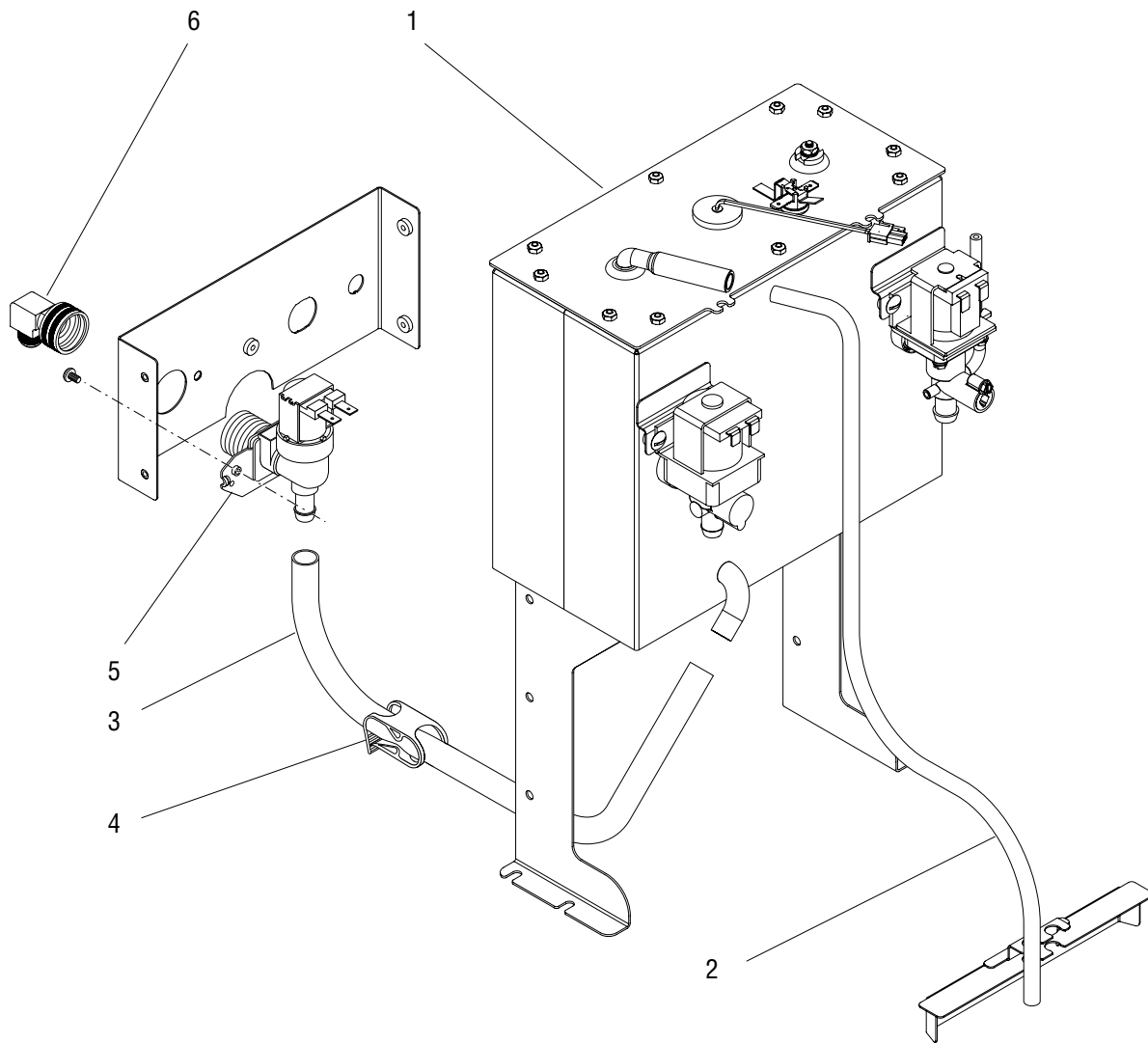


P4261

PUMP ASSEMBLY

ITEM	PART NO.	QTY.	DESCRIPTION
-	40261.1002	1	Pump Assy (Includes items 1 thru 24)
1	34167.0000	1	Cover, Pump Block
2	34997.0000	1	Thumb Screw
3	32706.1000	1	Rotor
4	32652.0000	1	Retaining Ring
5	34998.0000	1	Retaining Ring
6	32928.0000	1	Insert, Threaded
7	34166.0002	1	Block, Pump
8	02328.0003	4	Screw, Pan Head #6-32 x .312"
9	40030.1000	1	Compression Band Assy
10	01311.0001	1	Screw, Truss Head #8-32 x .25" Locking
11	36149.0000	1	Fastener
12	32609.0000	1	Standoff
13	34765.0000	1	Nut, Flanged #10-32
14	00617.0000	1	Cable Tie
15	33825.0000	1	Bearing
16	40263.0002	1	Bracket, Pump Mounting
17	32927.0000	4	Screw, Shoulder #10-32 UNC
18	40536.0000	1	Insulation, Pump
19	32957.0000	4	Bushing
20	34536.1001	1	Motor
21	32654.0000	1	Magnet Hub
22	01512.0000	1	Lockwasher, External-tooth #10
23	01331.0004	1	Screw, Round Head, Locking #10-32
24	33608.1000	1	Sensor, RPM
	02336.0000	2	Screw, Truss Head #4-40 x .38"

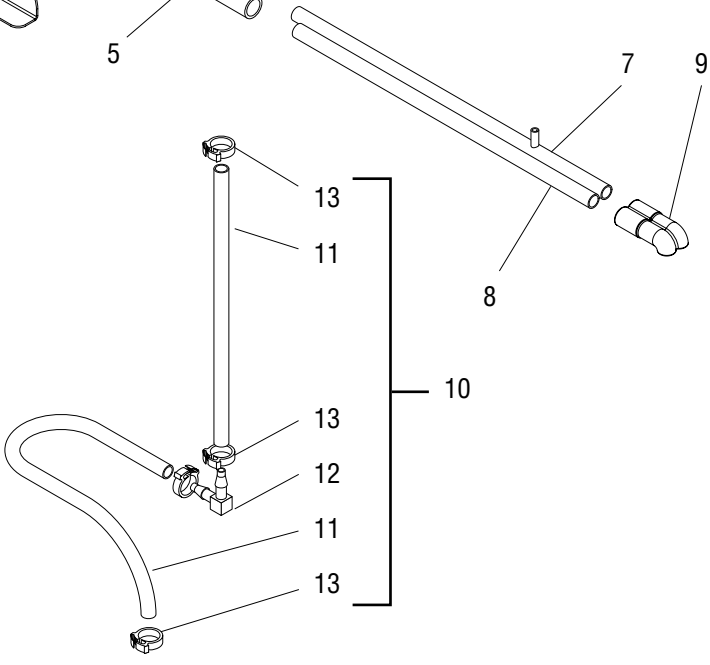
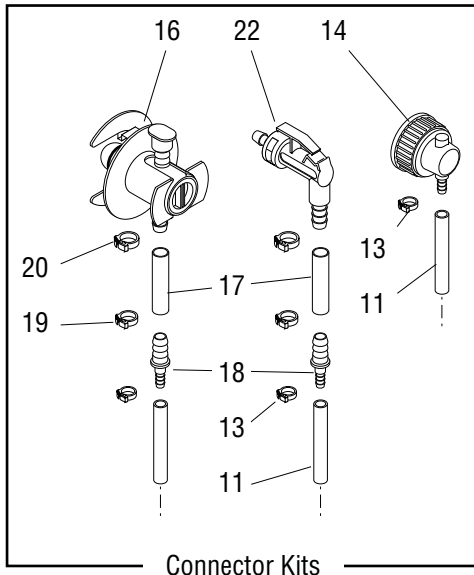
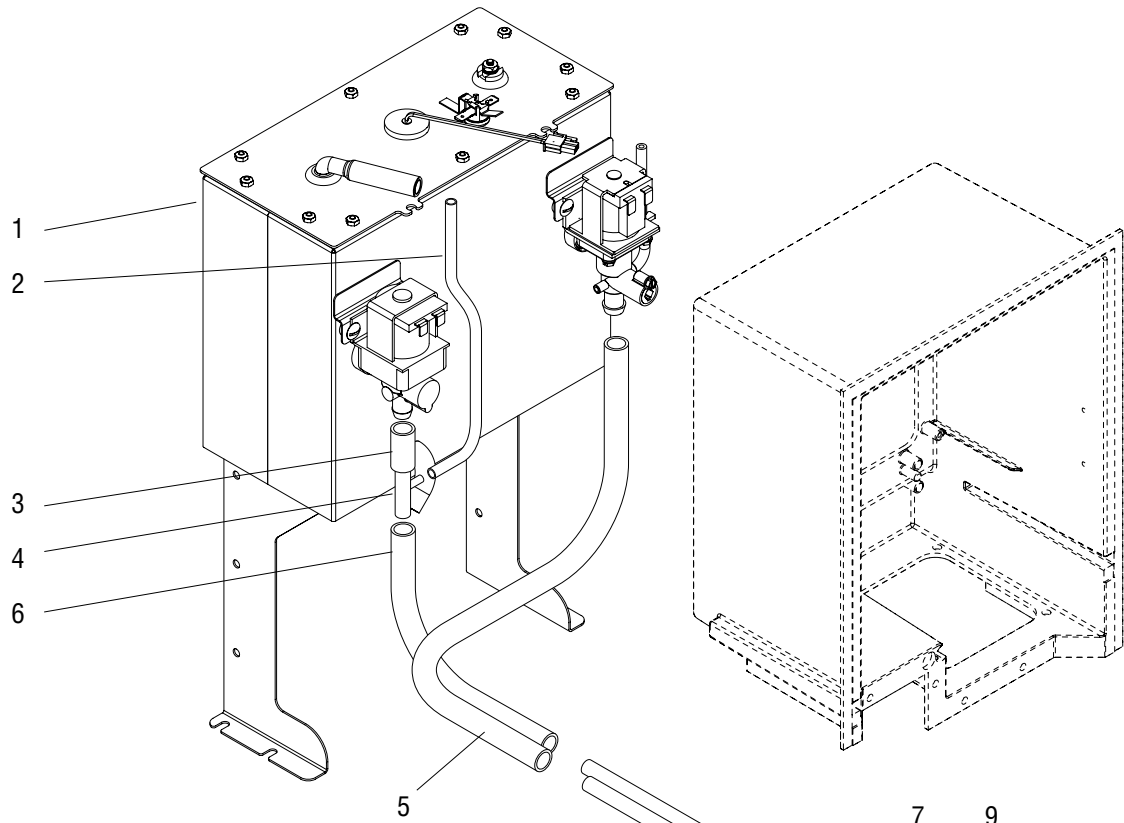
* Indicates the part number listed is for reference only. See DESCRIPTION for possible service replacement.



INLET VALVE & TANK DRAIN

ITEM	PART NO.	QTY.	DESCRIPTION
1	----- 00970.0000	- 4	Tank Assy (See TANK ASSEMBLY) Nut, Keps #8-32
2	42916.0012*	1	Tube, Silicone .188" ID x 23.5" (Order item 8)
3	20976.0083*	1	Tube, Silicone .38" ID x 15.0" (Order item 7)
4	11630.0001	1	Clamp, Shut off
5	36233.1000 32283.0000	1 2	Valve, Water Inlet Screw, Pan Head M4 x 6mm
6	37297.0006	1	Fitting, Elbow .25" Flare x .75" Hose
7	20976.1001 20976.1002	- -	Tube, Silicone .38" ID x 36.0" (Use as required) Tube, Silicone .38" ID x 120.0" (Use as required)
8	42916.1001 42916.1002	- -	Tube, Silicone .188" ID x 36.0" (Use as required) Tube, Silicone .188" ID x 120.0" (Use as required)

* Indicates the part number listed is for reference only. See DESCRIPTION for possible service replacement.



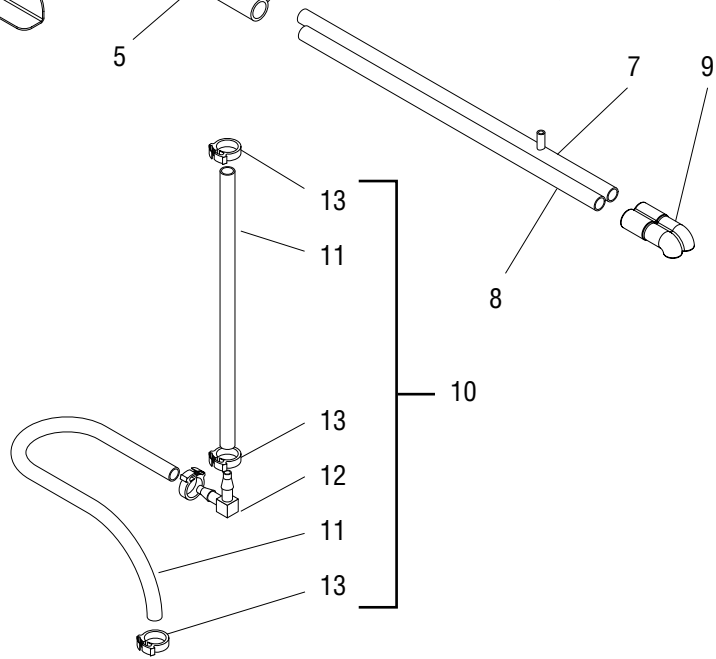
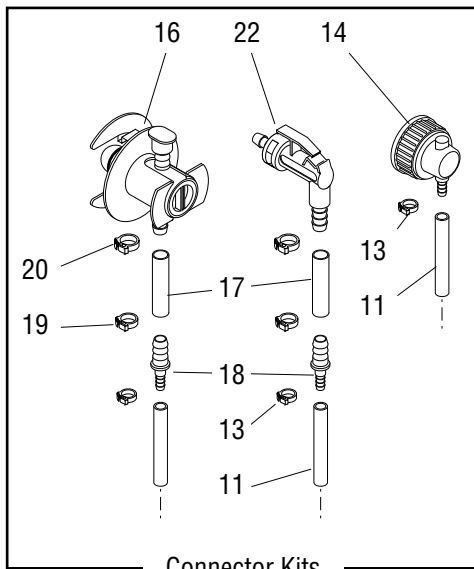
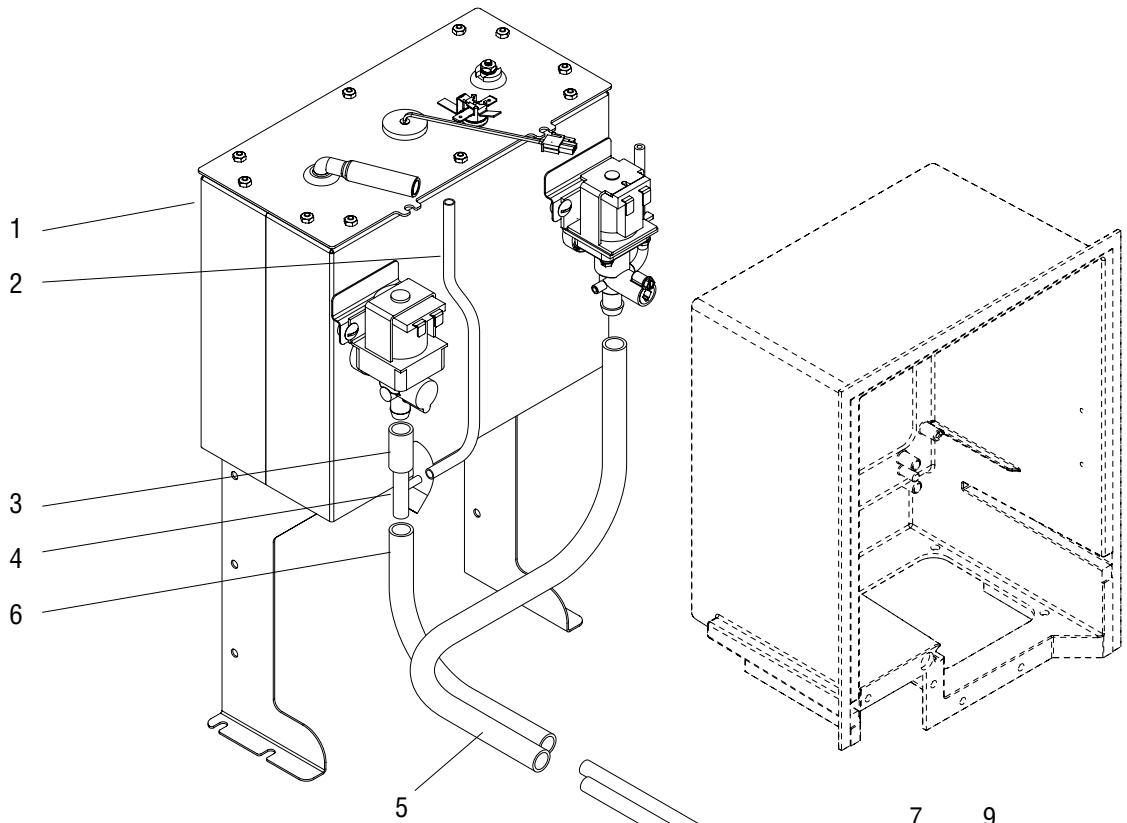
DISPENSE VALVE & LINES

ITEM	PART NO.	QTY.	DESCRIPTION
1	-----	-	Tank Assy (See TANK ASSEMBLY)
2	36630.0006*	2	Tube, Silicone .125" ID x 8.5" (Order item 26)
3	28526.0042*	2	Tube, Silicone .313" ID x 1.5" (Order item 27)
4	43341.0000	1	Tee .375" x .375" x .188"
5	28526.0041*	2	Tube, Silicone .313" ID x 6.0" (Order item 27)
6	28526.0018*	2	Tube, Silicone .313" ID x 12.25" (Order item 27)
7	44012.0001	1	Tube, Coffee
8	44013.0001	1	Tube, Water
9	43362.0001	1	Nozzle, Dispense
10	44713.0000*	1	Hose Assy .125" ID (Incl. items 11 - 13)(Also order item 28)
11	34726.0006*	2	Tube, Norprene .125" I.D. x 6.0" (Order item 29)
12	34714.0000	1	Elbow
13	12422.0007	4	Clamp .31/.34" ID
14	35057.0000	1	Connector
15	35055.1000	1	Adapter Kit (Includes items 16 - 20)
16	33160.0000	1	Connector
17	11707.0029*	1	Hose, Silicone .25" I.D. x 1.75" (Order item 30)
18	35053.0000	1	Coupling, Reducing
19	12422.0000	1	Clamp .47/.54" I.D.
20	12422.0006	1	Clamp .53/.59" I.D.
21	35056.1000	1	Adapter Kit (Includes items 17 - 20 & 22)
22	35054.0000	1	Connector

(Continued)

* Indicates the part number listed is for reference only. See DESCRIPTION for possible service replacement.

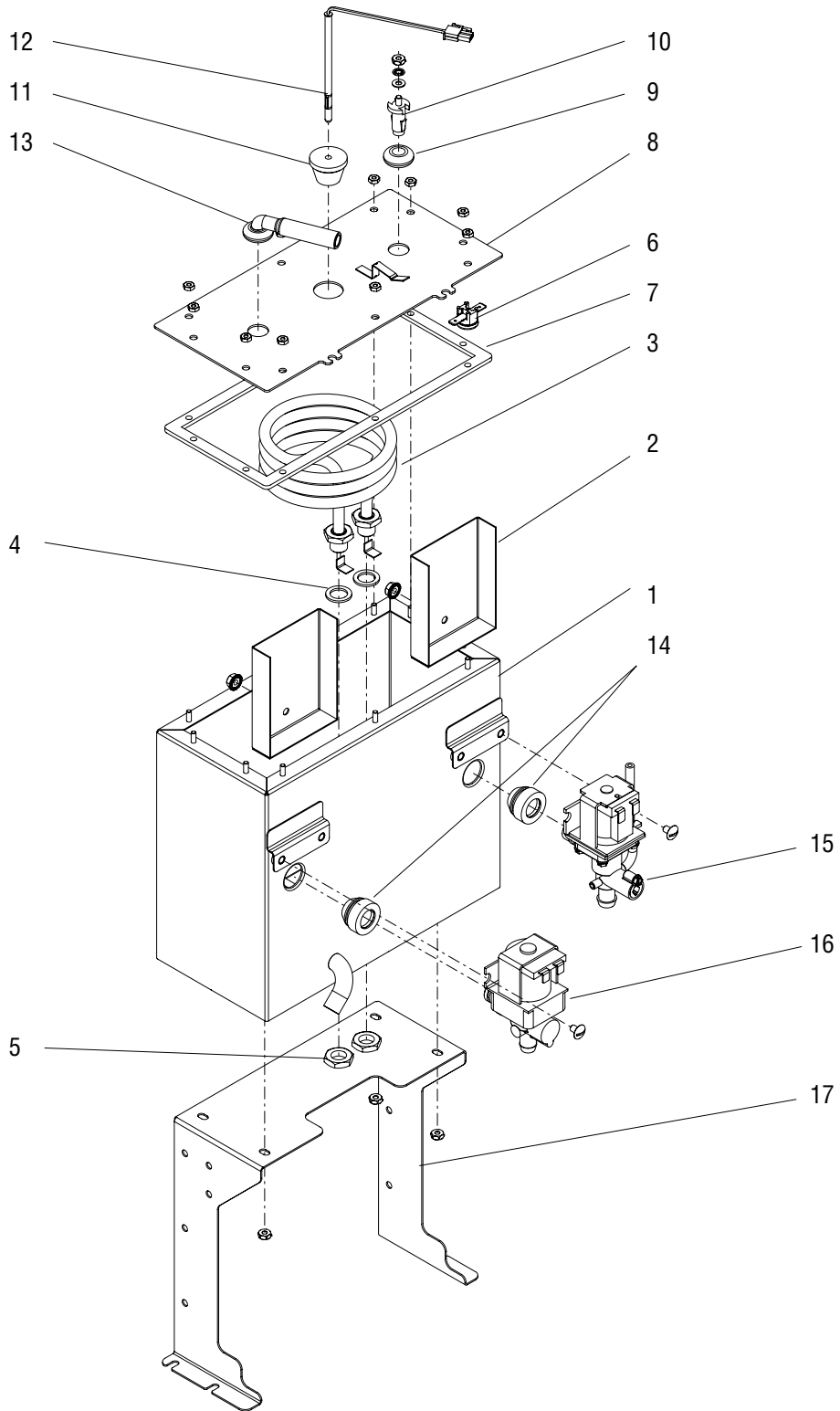
(Continued)



DISPENSE VALVE & LINES

ITEM	PART NO.	QTY.	DESCRIPTION
Items 23 through 30 are Not Illustrated			
23	44100.0200	-	Adapter Kit (Incl. items 13,16, 19 & 38)
24	44100.0201	-	Adapter Kit (Incl. items 13,16, 19 & 38)
25	44100.0202	-	Adapter Kit (Incl. items 13,16, 20 & 38)
26	36630.1001	-	Tube, Silicone .125" ID x 36.0" (Use as required)
27	28526.1000	-	Tube, Silicone .313" ID x 12.0" (Use as required)
	28526.1001	-	Tube, Silicone .313" ID x 36.0" (Use as required)
	28526.1002	-	Tube, Silicone .313" ID x 60.0" (Use as required)
28	M2531.0001	-	Lube Compound .30 oz.
29	34726.1000	-	Tube, Norprene .125" I.D. x 10.0" (Use as required)
30	11707.1000	-	Tube, Silicone .25" ID x 12.0" (Use as required)
	11707.1001	-	Tube, Silicone .25" ID x 36.0" (Use as required)
	11707.1002	-	Tube, Silicone .25" ID x 120.0" (Use as required)

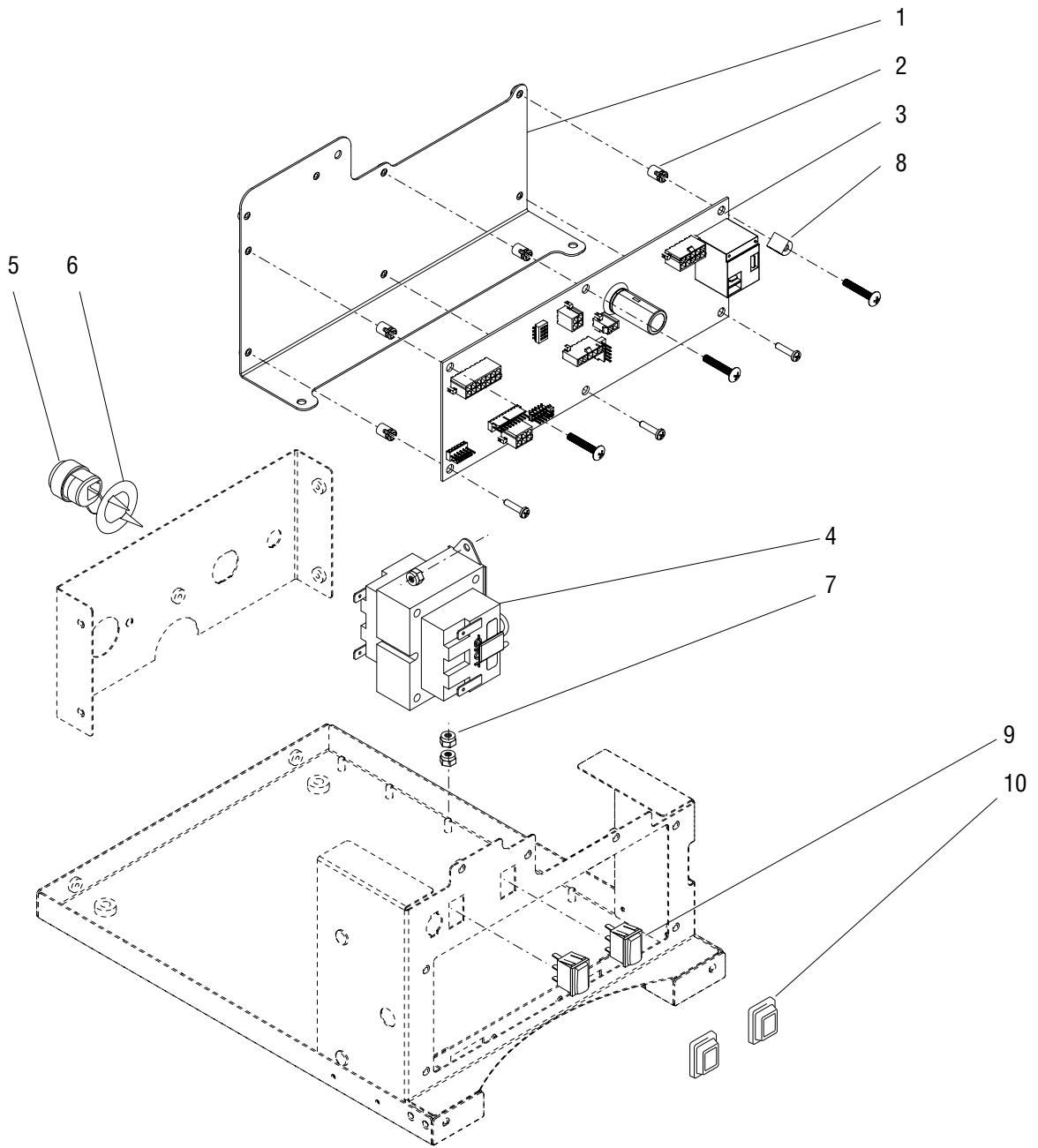
* Indicates the part number listed is for reference only. See DESCRIPTION for possible service replacement.



TANK ASSEMBLY

ITEM	PART NO.	QTY.	DESCRIPTION
1	43357.0001	1	Tank
	00908.0000	5	Nut, Hex #8-32
2	43576.0001	2	Bracket, Tank Baffle
	34765.0000	2	Nut, Flanged #10-32
3	02838.1000	1	Tank Heater 1300W, 120V (Includes item 4)
4	00943.0000	2	Gasket
5	00942.0000	2	Nut, Hex .50"-20
6	29329.1000	1	Limit Thermostat
7	43354.0000	1	Gasket, Tank Lid
8	43361.0001	1	Tank Lid
	00906.0000	10	Nut, Hex #6-32
	01510.0000	1	Lockwasher, External tooth #6
9	02536.0000	1	Grommet
10	07412.1002	1	Probe Kit, Liquid Level (Includes hardware below)
	00908.0000	1	Nut, Hex #8-32
	20203.0100	1	Lockwasher, Internal tooth #8
	01501.0000	1	Washer
11	33801.0003	1	Grommet
12	41179.1000	1	Probe, Temperature
13	38969.0001	1	Fitting, Tank Vent
14	37970.0000	2	Grommet
	39285.1001	1	Valve, Vented
15	01326.0002	1	Screw, Truss Head Locking #10-32 x .31"
	32345.1000	1	Valve, Unvented (Refer to item 18)
16	01326.0002	1	Screw, Truss Head Locking #10-32 x .31"
	43366.0001	1	Bracket, Tank Support
17	43366.0001	1	Bracket, Tank Support
18	32345.0050	-	Repair Kit (Includes Armature and Diaphragm)

* Indicates the part number listed is for reference only. See DESCRIPTION for possible service replacement.



ELECTRICAL COMPONENTS

ITEM	PART NO.	QTY.	DESCRIPTION
1	43833.0001	1	Bracket
	00970.0000	2	Nut, Keps #8-32
2	29081.0002	6	Spacer
3	43474.1000	1	Circuit Board, Main
	38123.0000	3	Screw, Pan Head #6-32 x 1.0"
	02301.0000	3	Screw, Pan Head BLK #6-32 x .62"
4	39305.0000	1	Transformer
	00970.0000	2	Nut, Keps #8-32
5	00713.0000	1	Bushing, Strain Relief
6	00715.0000	1	Adapter Washer, Strain Relief
7	00991.0000	2	Nut, Grounding
8	36484.0000	1	Clamp
9	27437.0001	2	Switch
10	34390.0000	2	Cap, Rocker Switch

Items listed below are not illustrated

11	44234.0000	1	Wiring Harness, Main
12	20630.0008	1	Power Cord
13	44766.0001	1	Wiring Harness, Tank

* Indicates the part number listed is for reference only. See DESCRIPTION for possible service replacement.

NUMERICAL INDEX

PART NO.	PAGE NO.	PART NO.	PAGE NO.	PART NO.	PAGE NO.	PART NO.	PAGE NO.
00614.0001.....	5	28526.1001.....	17	40536.0000.....	11	44709.0000.....	7
00617.0000.....	11	28526.1002.....	17	40843.0000.....	9	44710.0000.....	7
00619.0010.....	5	29081.0002.....	21	41179.1000.....	19	44713.0000.....	15
00656.0001.....	5	29329.1000.....	19	42916.0012.....	13	44717.1000.....	5
00669.0004.....	5	29504.0004.....	5	42916.1001.....	13	44766.0001.....	21
00713.0000.....	7,21	32283.0000.....	13	42916.1002.....	13	44869.0000.....	9
00715.0000.....	21	32345.0050.....	19	43333.0000.....	7	45423.0000.....	7
00824.0002.....	5	32345.1000.....	19	43334.1001.....	7	48817.0000.....	9
00906.0000.....	19	32609.0000.....	11	43335.0000.....	9	M2531.000.....	17
00908.0000.....	19	32652.0000.....	11	43341.0000.....	15		
00942.0000.....	19	32654.0000.....	11	43343.0000.....	7		
00943.0000.....	19	32706.1000.....	11	43344.0000.....	7		
00970.0000.....	13,21	32927.0000.....	11	43345.0000.....	7		
00970.0000.....	21	32928.0000.....	11	43348.0000.....	7		
00986.0002.....	5	32957.0000.....	11	43351.0000.....	9		
00991.0000.....	21	33160.0000.....	15	43352.0000.....	7		
01311.0000.....	5	33608.1000.....	11	43354.0000.....	19		
01311.0001.....	11	33801.0003.....	19	43357.0001.....	19		
01311.0003.....	5	33825.0000.....	11	43359.0000.....	7		
01315.0000.....	5,7,9	34166.0002.....	11	43360.0000.....	7		
01317.0000.....	9	34167.0000.....	11	43361.0001.....	19		
01326.0002.....	19	34390.0000.....	21	43362.0001.....	15		
01331.0004.....	11	34533.0000.....	9	43366.0001.....	19		
01360.0000.....	7	34536.1001.....	11	43371.0000.....	5		
01501.0000.....	19	34666.0000.....	9	43375.0000.....	5		
01509.0001.....	9	34667.0000.....	7	43377.0001.....	5		
01510.0000.....	19	34714.0000.....	15	43474.1000.....	21		
01512.0000.....	11	34726.0006.....	15	43569.1003.....	5		
02301.0000.....	21	34726.1000.....	17	43570.0001.....	5		
02328.0003.....	11	34765.0000.....	11,19	43572.0001.....	9		
02336.0000.....	11,19	34997.0000.....	11	43576.0001.....	19		
02838.1000.....	19	34998.0000.....	11	43577.0000.....	9		
07412.1002.....	19	35053.0000.....	15	43578.1000.....	5		
11630.0001.....	13	35054.0000.....	15	43654.1000.....	7		
11646.0002.....	7	35055.1000.....	15	43655.0000.....	7		
11707.0029.....	15	35056.1000.....	15	43657.0000.....	7		
11707.1000.....	17	35057.0000.....	15	43658.0001.....	5		
11707.1001.....	17	36149.0000.....	11	43660.0001.....	5		
11707.1002.....	17	36233.1000.....	13	43739.0000.....	9		
12422.0000.....	15	36484.0000.....	21	43821.0000.....	7		
12422.0006.....	15	36630.0006.....	15	43833.0001.....	21		
12422.0007.....	15	36630.1001.....	17	43897.0001.....	5		
12919.0006.....	9	37297.0006.....	13	43899.0000.....	9		
20203.0100.....	19	37578.0001.....	5	44012.0001.....	15		
20630.0008.....	21	37825.0000.....	5	44013.0001.....	15		
20976.0083.....	13	37881.0000.....	5	44085.0001.....	5		
20976.1001.....	13	37970.0000.....	19	44087.0001.....	9		
20976.1002.....	13	38044.0000.....	9	44089.0001.....	5		
21436.0000.....	5	38072.0000.....	7	44091.0000.....	5		
25137.0000.....	5	38123.0000.....	21	44100.0200.....	17		
25151.0008.....	5	38969.0001.....	19	44100.0201.....	17		
27437.0001.....	21	39285.1001.....	19	44100.0202.....	17		
28526.0018.....	15	39305.0000.....	21	44112.1000.....	7		
28526.0041.....	15	40030.1000.....	11	44231.0000.....	7		
28526.0042.....	15	40261.1002.....	11	44234.0000.....	21		
28526.1000.....	17	40263.0002.....	11	44646.0001.....	7		