

BUNN®

IMIX®-14



ILLUSTRATED PARTS CATALOG

Designs, materials, weights, specifications, and dimensions for equipment or replacement parts are subject to change without notice.

BUNN-O-MATIC CORPORATION

POST OFFICE BOX 3227

SPRINGFIELD, ILLINOIS 62708-3227

PHONE: (217) 529-6601 FAX: (217) 529-6644



BUNN-O-MATIC COMMERCIAL PRODUCT WARRANTY

Bunn-O-Matic Corp. ("BUNN") warrants equipment manufactured by it as follows:

- 1) Airpots, thermal carafes, decanters, GPR servers, iced tea/coffee dispensers, MCR/MCP/MCA single cup brewers, thermal servers and ThermoFresh® servers (mechanical and digital) 1 year parts and 1 year labor.
- 2) All other equipment - 2 years parts and 1 year labor plus added warranties as specified below:
 - a) Electronic circuit and/or control boards - parts and labor for 3 years.
 - b) Compressors on refrigeration equipment - 5 years parts and 1 year labor.
 - c) Grinding burrs on coffee grinding equipment to grind coffee to meet original factory screen sieve analysis - parts and labor for 4 years or 40,000 pounds of coffee, whichever comes first.

These warranty periods run from the date of installation BUNN warrants that the equipment manufactured by it will be commercially free of defects in material and workmanship existing at the time of manufacture and appearing within the applicable warranty period. This warranty does not apply to any equipment, component or part that was not manufactured by BUNN or that, in BUNN's judgment, has been affected by misuse, neglect, alteration, improper installation or operation, improper maintenance or repair, non periodic cleaning and descaling, equipment failures related to poor water quality, damage or casualty. In addition, the warranty does not apply to replacement of items subject to normal use including but not limited to user replaceable parts such as seals and gaskets. This warranty is conditioned on the Buyer 1) giving BUNN prompt notice of

any claim to be made under this warranty by telephone at (217) 529-6601 or by writing to Post Office Box 3227, Springfield, Illinois 62708-3227; 2) if requested by BUNN, shipping the defective equipment prepaid to an authorized BUNN service location; and 3) receiving prior authorization from BUNN that the defective equipment is under warranty.

THE FOREGOING WARRANTY IS EXCLUSIVE AND IS IN LIEU OF ANY OTHER WARRANTY, WRITTEN OR ORAL, EXPRESS OR IMPLIED, INCLUDING, BUT NOT LIMITED TO, ANY IMPLIED WARRANTY OF EITHER MERCHANTABILITY OR FITNESS FOR A PARTICULAR PURPOSE. The agents, dealers or employees of BUNN are not authorized to make modifications to this warranty or to make additional warranties that are binding on BUNN. Accordingly, statements by such individuals, whether oral or written, do not constitute warranties and should not be relied upon.

If BUNN determines in its sole discretion that the equipment does not conform to the warranty, BUNN, at its exclusive option while the equipment is under warranty, shall either 1) provide at no charge replacement parts and/or labor (during the applicable parts and labor warranty periods specified above) to repair the defective components, provided that this repair is done by a BUNN Authorized Service Representative; or 2) shall replace the equipment or refund the purchase price for the equipment.

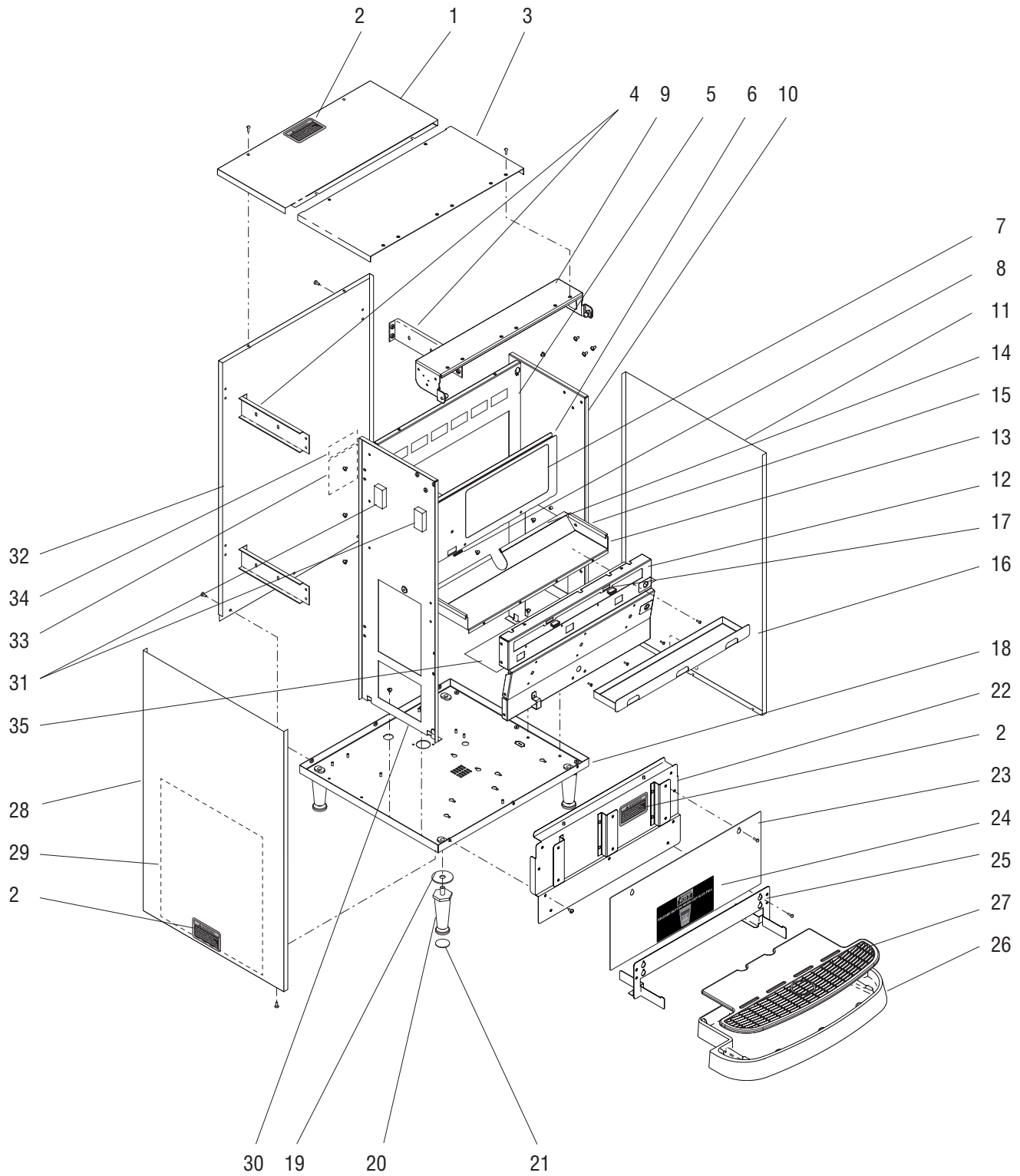
THE BUYER'S REMEDY AGAINST BUNN FOR THE BREACH OF ANY OBLIGATION ARISING OUT OF THE SALE OF THIS EQUIPMENT, WHETHER DERIVED FROM WARRANTY OR OTHERWISE, SHALL BE LIMITED, AT BUNN'S SOLE OPTION AS SPECIFIED HEREIN, TO REPAIR, REPLACEMENT OR REFUND.

In no event shall BUNN be liable for any other damage or loss, including, but not limited to, lost profits, lost sales, loss of use of equipment, claims of Buyer's customers, cost of capital, cost of down time, cost of substitute equipment, facilities or services, or any other special, incidental or consequential damages.

392, A Partner You Can Count On, Air Infusion, AutoPOD, AXIOM, BrewLOGIC, BrewMETER, Brew Better Not Bitter, BrewWISE, BrewWIZARD, BUNN Espresso, BUNN Family Gourmet, BUNN Gourmet, BUNN Pour-O-Matic, BUNN, BUNN with the stylized red line, BUNNlink, Bunn-O-Matic, Bunn-O-Matic, BUNNserve, BUNNSERVE with the stylized wrench design, Cool Froth, DBC, Dr. Brew stylized Dr. design, Dual, Easy Pour, EasyClear, EasyGard, FlavorGard, Gourmet Ice, Gourmet Juice, High Intensity, iMIX, Infusion Series, Intellisteam, My Café, Phase Brew, PowerLogic, Quality Beverage Equipment Worldwide, Respect Earth, Respect Earth with the stylized leaf and coffee cherry design, Safety-Fresh, savemycoffee.com, Scale-Pro, Silver Series, Single, Smart Funnel, Smart Hopper, SmartWAVE, Soft Heat, SplashGard, The Mark of Quality in Beverage Equipment Worldwide, ThermoFresh, Titan, trifacta, TRIFECTA (stylized logo), Velocity Brew, Air Brew, Beverage Bar Creator, Beverage Profit Calculator, Brew better, not bitter., Build-A-Drink, BUNNSource, Coffee At Its Best, Cyclonic Heating System, Daypart, Digital Brewer Control, Element, Milk Texturing Fusion, Nothing Brews Like a BUNN, Picture Prompted Cleaning, Pouring Profits, Signature Series, Sure Tamp, Tea At Its Best, The Horizontal Red Line, Ultra are either trademarks or registered trademarks of Bunn-O-Matic Corporation. The commercial trifacta® brewer housing configuration is a trademark of Bunn-O-Matic Corporation.

TABLE OF CONTENTS

TITLE	PAGE NO.
Auger Drive and Hoppers.....	16
Covers, Panels and Drip Tray	4
Dispense Valves and Lines.....	24
Door Assembly	8
Electrical Controls	26
Hopper Assembly.....	18,20
Mixing/Whipper Chambers and Drive Motor	22
Numerical Index.....	28
Tank, Heater and Overflow Protection	12



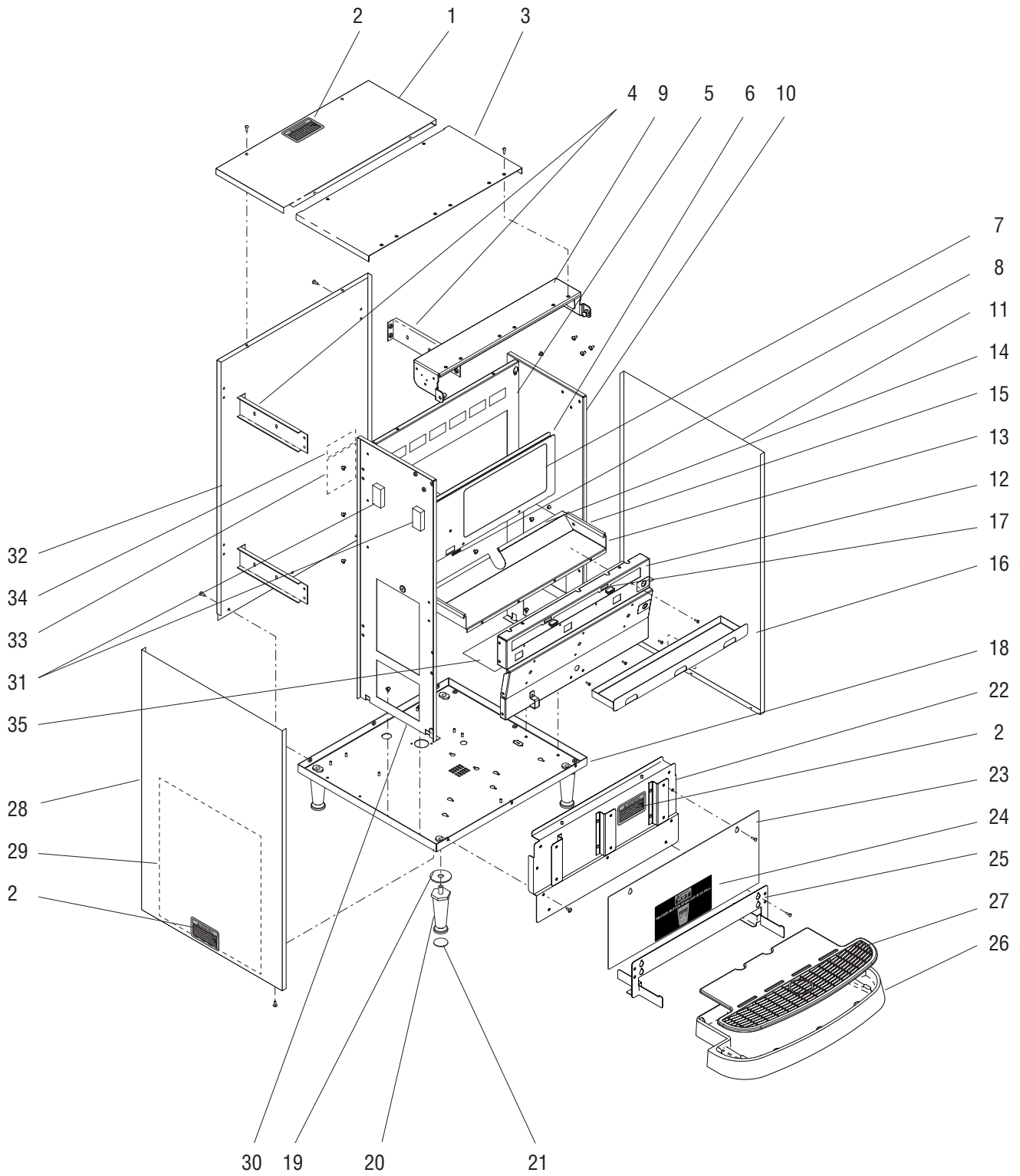
COVERS, PANELS AND DRIP TRAY

ITEM	PART NO.	QTY.	DESCRIPTION
1	35916.1001	1	Cover, Top Rear - BLK (Includes item 2)
	01311.0003	2	Screw, Truss Head BLK #8-32 x .25"
2	37881.0000	4	Decal, No Serviceable Parts
3	42471.0001*	1	Cover, Top Front - BLK
	01311.0003	2	Screw, Truss Head BLK #8-32 x .25"
4	35926.0000	4	Bracket, Side Support
	01311.0001	8	Screw, Truss Head - Locking #8-32 x .25"
5	42181.0003*	1	Panel, Inner Rear
	01311.0001	6	Screw, Truss Head - Locking #8-32 x .25"
6	45015.0000*	1	Panel, Inner Access
	01311.0000	2	Screw, Truss Head #8-32 x .25"
7	44990.0000*	1	Cleaning Decal
8	38278.0003*	1	Edging 1.0" (Order item 38)
9	42598.0001*	1	Bracket, Top Support
	01317.0003	6	Screw, Truss Head - Locking #8-32 x .38"
10	41823.0000*	1	Panel, Inner Right
	01311.0001	2	Screw, Truss Head - Locking #8-32 x .25"
11	35912.1012	1	Panel, Right Side (Includes item 2)
	01311.0003	3	Screw, Truss Head BLK #8-32 x .25"
12	42123.0001*	1	Panel, Whipper Motor
	01311.0001	8	Screw, Truss Head - Locking #8-32 x .25"
13	42124.0000*	1	Shelf, Powder Box
	02336.0000	4	Screw, Truss Head #4-40 x .375"
14	02434.0012*	2	Gasket, U-Channel 8.0" (Order item 37)
15	02434.0008*	2	Gasket, U-Channel 4.60" (Order item 37)
16	36235.0006*	1	Tray, Powder Box
17	21436.0000	2	Catch, Magnetic
18	35924.0000	1	Panel, Bottom
19	01526.0001	4	Washer, Flat .438" ID x 1.88" OD
20	03996.0000	4	Pad, Rubber 1.25" Dia. (Also see item 36)
21	26528.0000	4	Leg, 4.0" Adjustable (Also see item 36)
22	36224.0000*	1	Panel, Lower Access (Includes item 2)
	01311.0000	3	Screw, Truss Head #8-32 x .25"
	01311.0001	2	Screw, Truss Head - Locking #8-32 x .25"
23	44996.0000*	1	Panel W/Decal (Includes item 24)
24	44998.0001*	1	Decal, Caution-Hot Liquid & Cup Placement

(Continued)

* Indicates the part number listed is for reference only. See DESCRIPTION for possible service replacement.

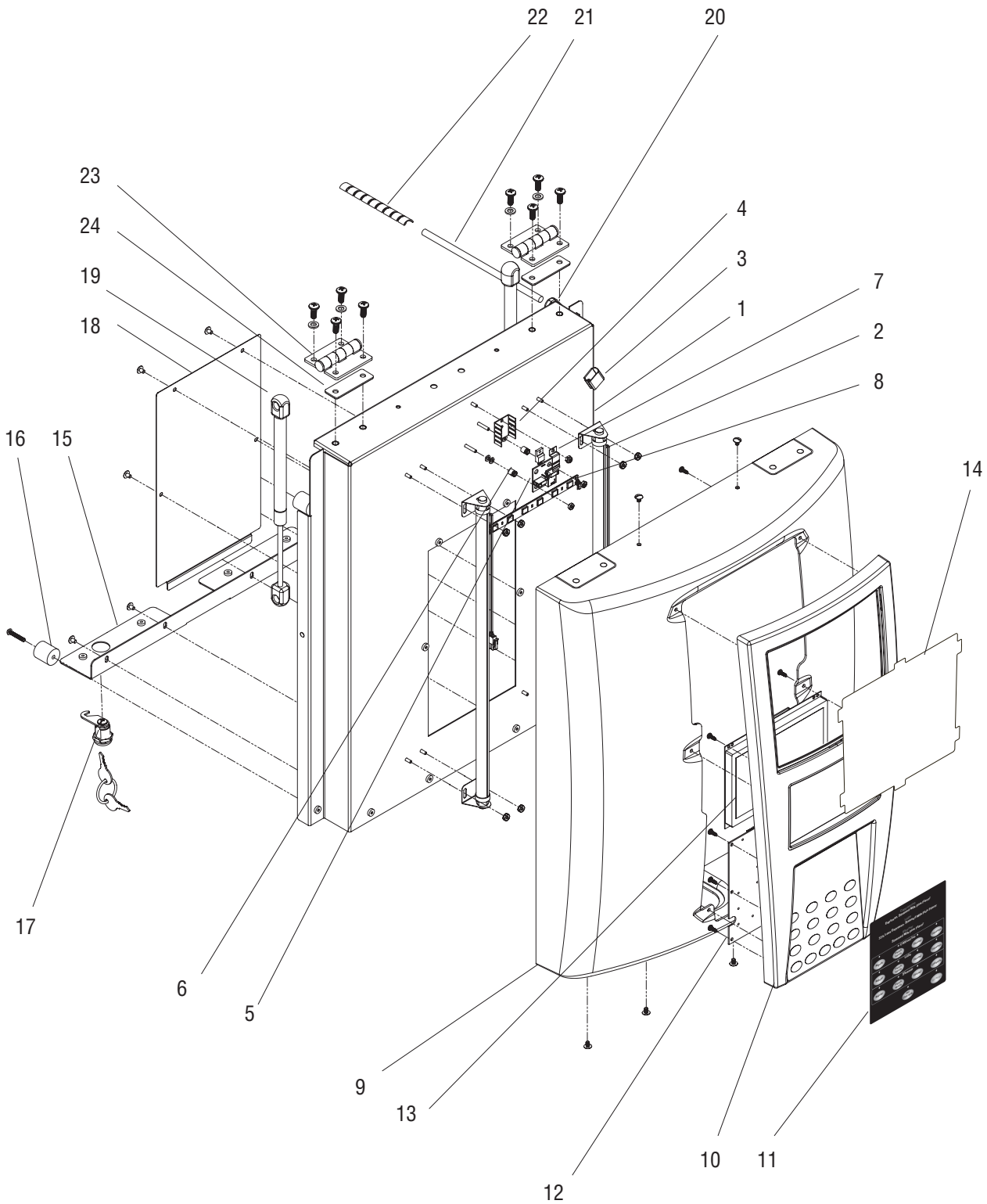
(Continued)



COVERS, PANELS AND DRIP TRAY

ITEM	PART NO.	QTY.	DESCRIPTION
25	37065.0000	1	Bracket, Drip Tray
	01311.0001	2	Screw, Truss Head - Locking #8-32 x .25"
26	36670.0001	1	Drip Tray
27	39308.0002	1	Cover, Drip Tray
28	35912.1014	1	Panel Assembly, Left (Includes items 2 and 29)
	01311.0003	3	Screw, Truss Head BLK #8-32 x .2 5"
29	44994.0000*	1	Schematic
30	41822.0000*	1	Panel, Inner Left
	01311.0001	2	Screw, Truss Head - Locking #8-32 x .25"
31	36896.0000	4	Pad, Adhesive Back
32	35925.1001	1	Panel Assembly, Rear (Includes items 33 and 34)
	01311.0003	11	Screw, Truss Head BLK #8-32 x .2 5"
33	00986.0000	1	Decal, Warning-Electrical
34	00656.0001	1	Decal, Comply to Plumbing Code
35	46368.0000	1	Drip Shield
36	13255.0003	-	Kit, Leg 4.0" Adjustable (Includes 4 each of items 20 & 21)
37	02434.1000	-	Gasket, U-Channel - 18" LG
	02434.1001	-	Gasket, U-Channel - 36" LG
38	38278.1002	-	Edging 36.0" (Cut to required length)

* Indicates the part number listed is for reference only. See DESCRIPTION for possible service replacement.



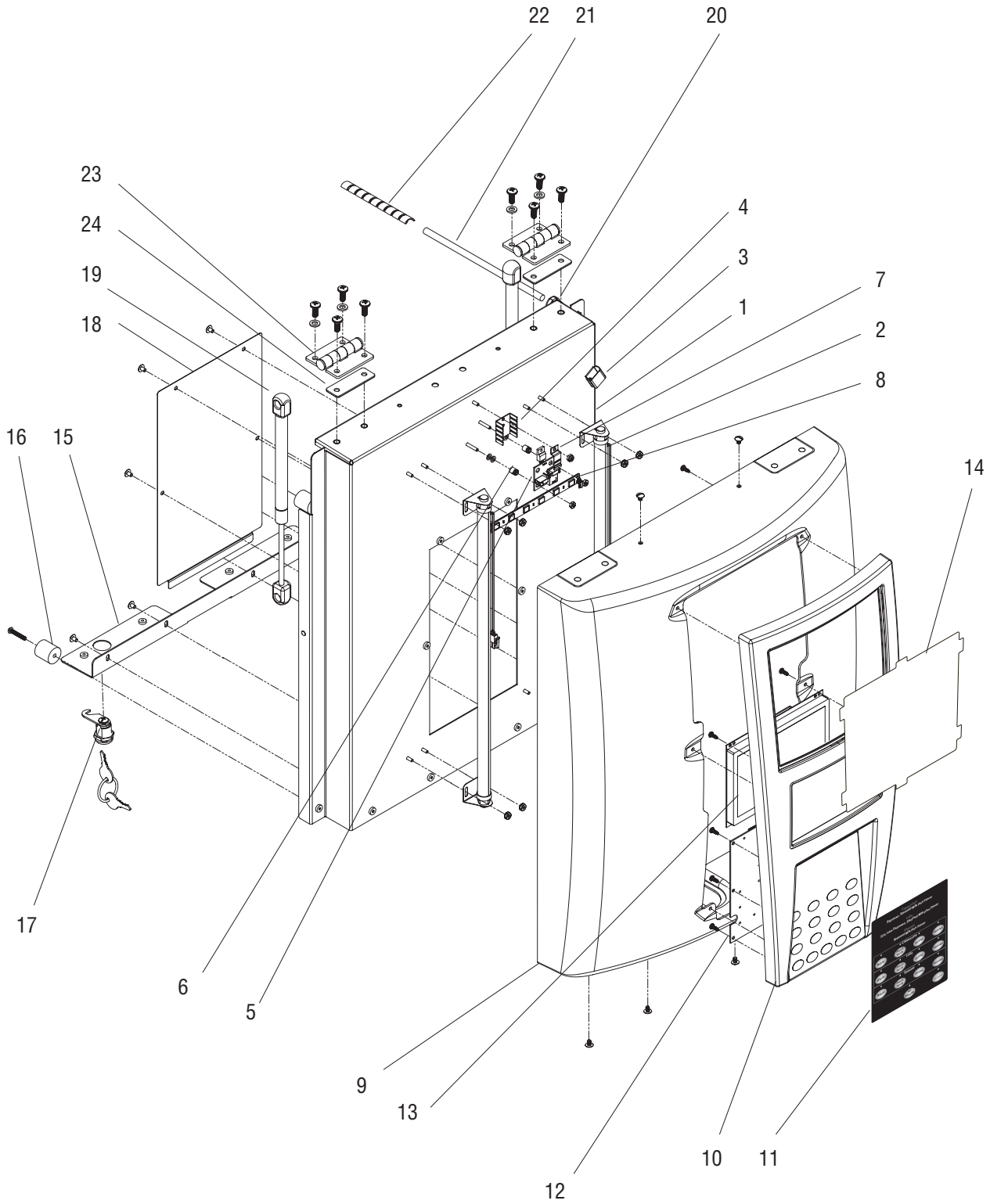
DOOR ASSEMBLY

ITEM	PART NO.	QTY.	DESCRIPTION
1	41932.0000*	1	Panel, Inner Door
2	44991.0000	2	LED Tube
	00973.0000	8	Nut, Keps #6-32
3	35260.0000	1	Cable Mount
4	42679.0001	1	Heat Sink (Also order item 27)
5	41727.0000*	1	Circuit Board (Also order item 27)
	01516.0000	4	Washer
	00906.0000	2	Nut, Hex #6-32
6	29081.0005	2	Spacer
7	41244.0000*	1	Spring Clip
	00991.0002	1	Nut, Elastic Lock #6-32
8	42593.0000	1	Circuit Board, LED
9	43727.1000	1	Cover, Door
	01311.0004	6	Screw, Truss Head, Locking BLK #8-32 x .25"
10	43940.0000*	1	Bezel
	44224.0000	6	Screw
11	44031.0001	1	Membrane Switch
12	44074.1000	1	Circuit Board, Keypad
	44224.0000	6	Screw
13	45377.1001	1	Touch Screen Assembly
	44224.0000	4	Screw
14	42724.0001*	1	Graphic Panel
15	42051.0000	1	Bracket, Door Cover
	01311.0001	4	Screw, Truss Head - Locking #8-32 x .25"
16	42523.0000*	2	Bumper
	01320.0000	2	Screw, Round Head #8-32 x 1.0"
17	34472.1001	1	Lock Assembly (Includes set of 2 Keys)
	28095.0000	2	Keys
18	42059.0000*	1	Panel, Access
	01311.0000	4	Screw, Truss Head #8-32 x .25"
19	42487.0000	2	Gas Spring
20	00707.0001	1	Bushing, Strain Relief
21	42538.0001	1	Wiring Harness, Door Interconnect
22	42596.0001*	1	Wrap, Spiral

(Continued)

* Indicates the part number listed is for reference only. See DESCRIPTION for possible service replacement.

(Continued)



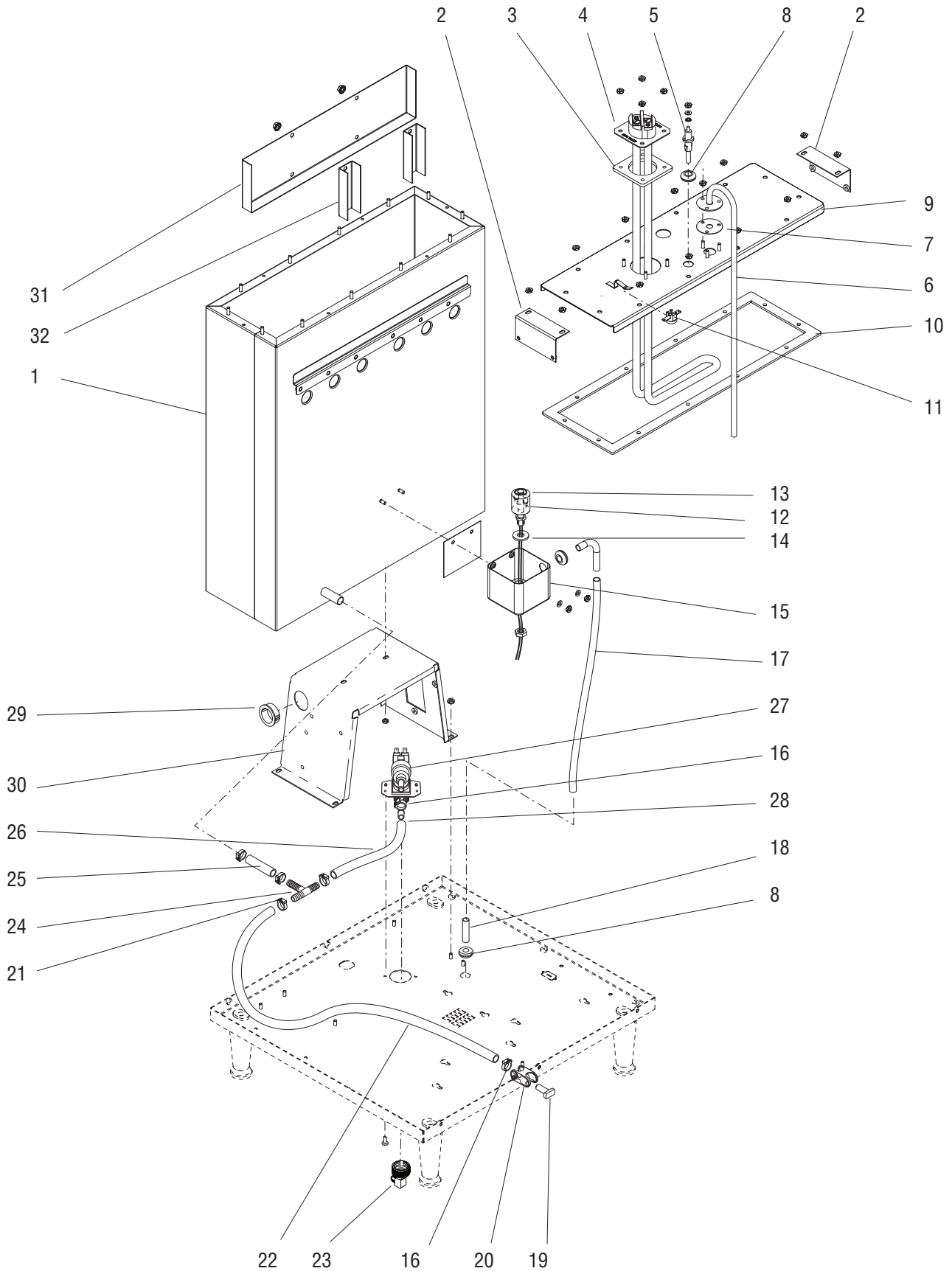
DOOR ASSEMBLY

ITEM	PART NO.	QTY.	DESCRIPTION
23	43514.0001*	2	Hinge, Door
	41923.0000	8	Screw, Pan Head BLK .25-20 x .62"
	41921.0000	4	Washer
24	44095.0000*	2	Shim

NOTE: The following items are not illustrated

25	42609.0004	1	Wiring Harness, Split LEDs
26	00617.0000	-	Cable Tie (Use as required)
27	M2522.1000	-	Compound, Heat Sink, 5 oz.
28	45158.0000	1	Wiring Harness, Display Interconnect

* Indicates the part number listed is for reference only. See DESCRIPTION for possible service replacement.



TANK, HEATER AND OVERFLOW PROTECTION

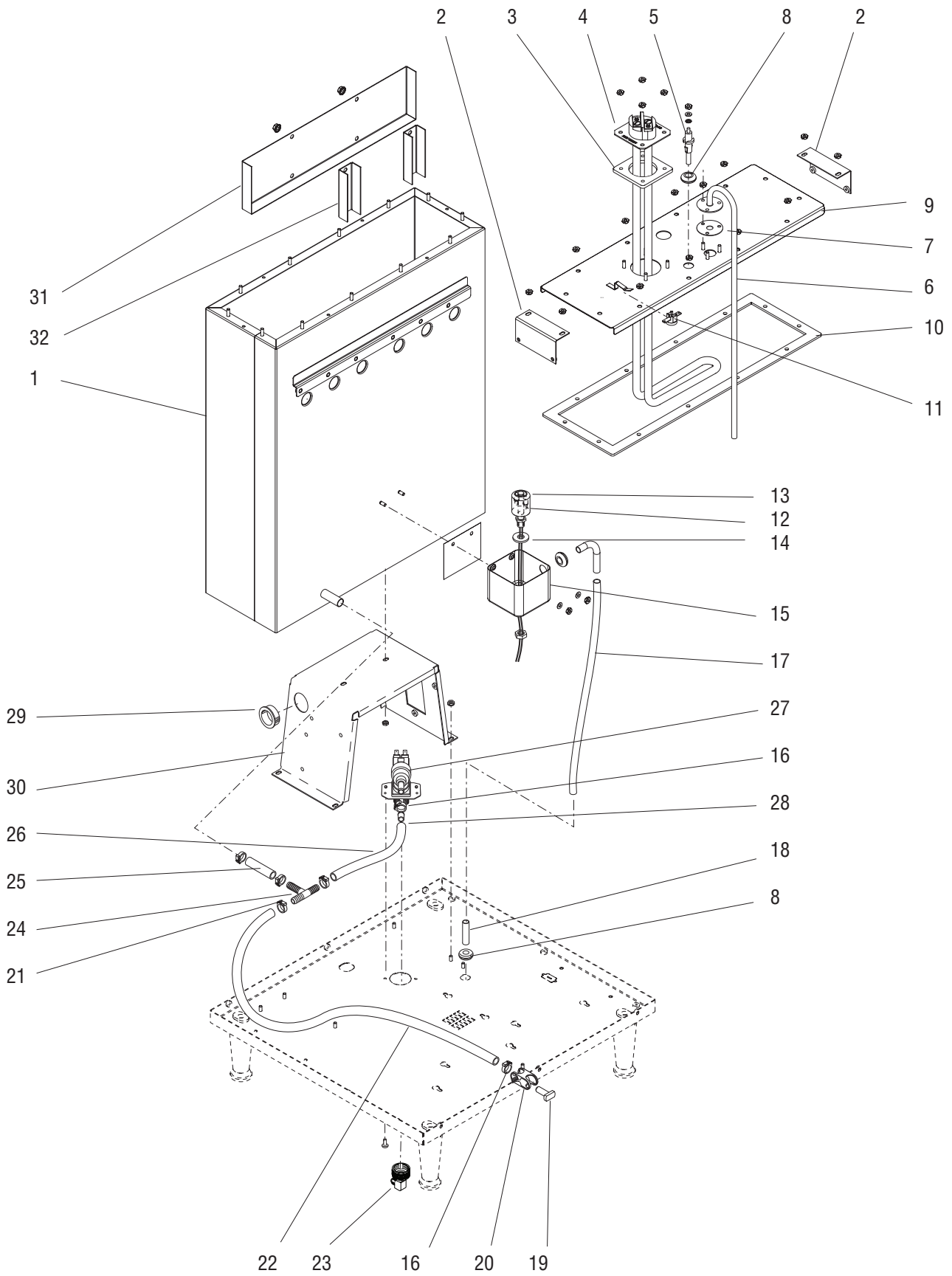
ITEM	PART NO.	QTY.	DESCRIPTION
1	39133.1001	1	Tank, Squared
	00970.0000	2	Nut, Keps #8-32
2	36226.0000	2	Bracket, Tank Mounting Upper
	00970.0000	4	Nut, Keps #8-32
3	12398.0000	1	Gasket, Tank Heater
4	36741.1000	1	Tank Heater Kit, 1700W 120V (Includes item 6)
	36740.1000	1	Tank Heater Kit, 3500W 230V (Includes item 6)
	00908.0000	4	Nut, Hex #8-32
5	20936.1000	1	Probe Kit (Includes items indented below)
	01511.0000	1	Lockwasher, External Tooth #8
	01501.0000	1	Washer, Flat .164" ID x .375" OD
	00908.0000	1	Nut, #8-32
6	36220.0000	1	Tube, Overflow
	00908.0000	3	Nut, Hex #8-32
7	05515.0000	1	Gasket, Overflow Tube
8	02536.0000	3	Grommet, .375" I.D.
9	35940.0003	1	Lid, Squared Tank
	00908.0000	8	Nut, Hex #8-32
10	35937.0002	1	Gasket, Squared Tank Lid
11	29329.1000	1	Thermostat, Limit
12	03803.0002	1	Switch Assy, Liquid Level (Includes items 13 & 14)
	00946.0000	1	Nut, Hex .125" FPT
13	03807.0000	1	Clip, Spring
14	03633.0000	1	Gasket, Float Switch
15	41259.1003	1	Overflow Cup (Aluminum)
	01501.0000	2	Washer, Flat .164" ID x .375" OD
	00908.0000	2	Nut, Hex #8-32
	41266.0000	1	Film
	41280.0001	1	Elbow
	04797.0000	1	Washer
16	12422.0001	2	Clamp, Hose .59"/.66" ID
17	28526.0045*	1	Tube, Silicone .312" ID x 10.0" (Order item 33)
18	21801.0015	1	Tube .375" O.D. x 1.50" LG
19	34392.0000	1	Plug, Hose .375" ID
20	11630.0001	1	Clamp, Shut Off
21	12422.0005	4	Clamp, Hose .62"/.71" ID
22	20976.0056*	1	Tube, Silicone .375" ID x 28.0" (Order item 34)

} Mounting

(Continued)

* Indicates the part number listed is for reference only. See DESCRIPTION for possible service replacement.

(Continued)

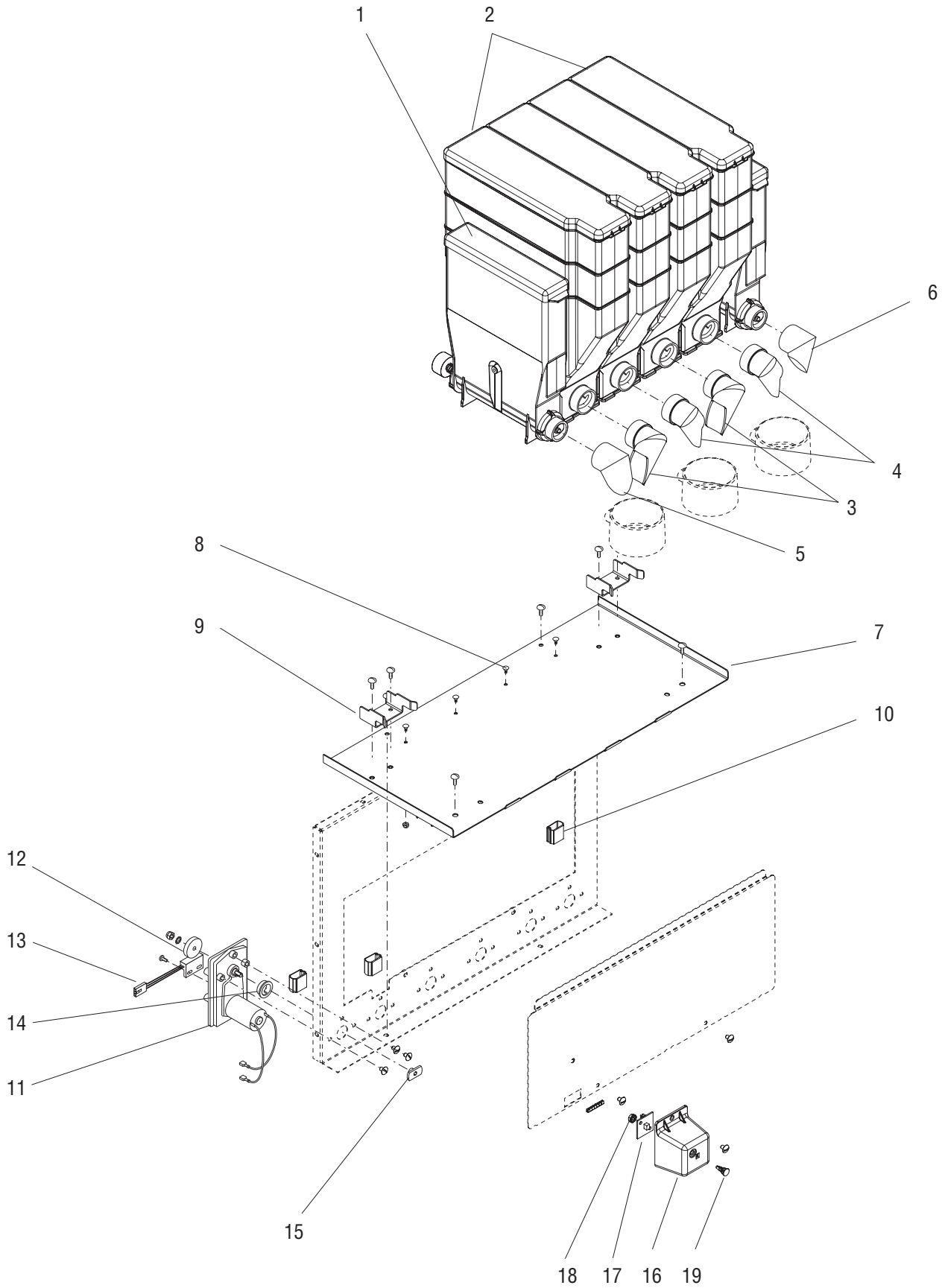


TANK, HEATER AND OVERFLOW PROTECTION

ITEM	PART NO.	QTY.	DESCRIPTION
23	37297.0006	1	Elbow, .25" Flare x .75" FTHRD
24	38948.0000	1	Tee, .50" Barb
25	20976.0017*	1	Tube, Silicone .375" ID x 2.0" (Order item 34)
26	20976.0055*	1	Tube, Silicone .375" ID x 9.0" (Order item 34)
27	36233.1000	1	Valve, Water Inlet 120V
	36233.0001*	1	Valve, Water Inlet 230V
	32283.0000	2	Screw, Pan Head M4 x 6MM
28	36378.0001	1	Check Valve
29	01592.0001	1	Bushing, Snap 1.18" Dia. Hole
30	35943.0000	1	Bracket, Tank Mounting Lower
	00970.0000	4	Nut, Keps #8-32
31	35946.0000	1	Baffle
32	34572.0000	2	Panel, Baffle Insert
	34765.0000	4	Nut, Flanged #10-32
33	28526.1000	-	Tube, Silicone .312" ID x .562" OD x 12"
	28526.1001	-	Tube, Silicone .312" ID x .562" OD x 36"
	28526.1002	-	Tube, Silicone .312" ID x .562" OD x 60"
	28526.1003	-	Tube, Silicone .312" ID x .562" OD x 120"
34	20976.1000	-	Tube, Silicone, .375" ID x .50" OD x 12.0"
	20976.1001	-	Tube, Silicone, .375" ID x .50" OD x 36.0"
	20976.1002	-	Tube, Silicone, .375" ID x .50" OD x 120.0"
35	43644.0000	-	Kit, Valve Rebuild

] Not Illustrated

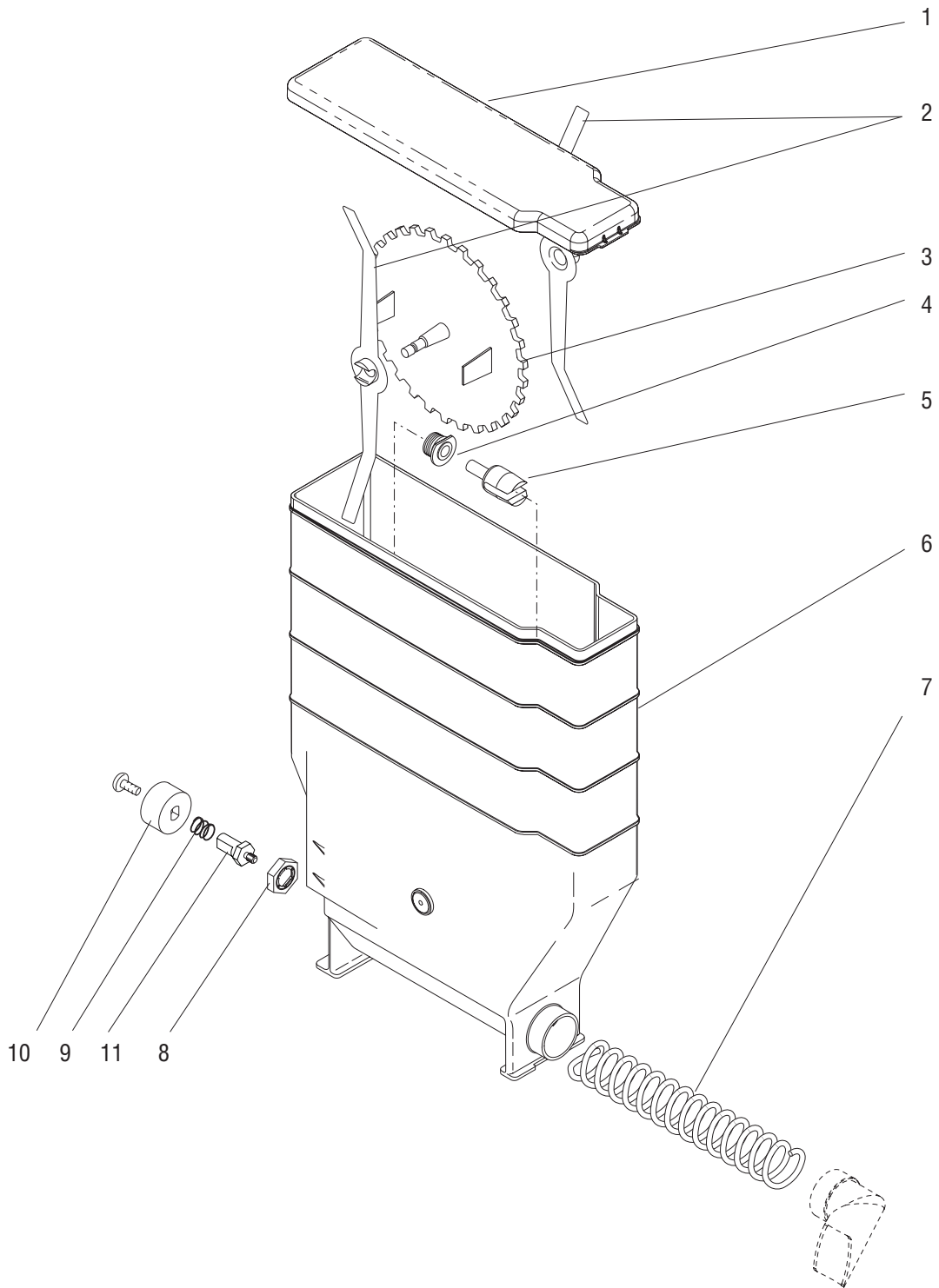
* Indicates the part number listed is for reference only. See DESCRIPTION for possible service replacement.



AUGER DRIVE AND HOPPERS

ITEM	PART NO.	QTY.	DESCRIPTION
1	-----	2	Hopper Assy., 2 lb. (See HOPPER ASSEMBLY)
2	-----	4	Hopper Assy., 6.5 lb. (See HOPPER ASSEMBLY)
3	43881.0000	2	Ejector Elbow, Left
4	43880.0000	2	Ejector Elbow, Right
5	39263.0001	1	Ejector Elbow, Left
6	39263.0000	1	Ejector Elbow, Right
7	36766.0003*	1	Panel, Hopper Support
	01311.0000	4	Screw, Truss Head #8-32 x .25"
8	20960.0000	4	Screw, Shoulder #6-32 x .375"
	00991.0002	4	Nut, Elastic Lock #6-32
9	42261.0000*	2	Bracket, Hopper Guide
	01311.0001	4	Screw, Truss Head - Locking #8-32 x .25"
10	35260.0000	3	Cable Mount, Adhesive
11	37037.0000	4	Gearmotor Assy, Auger (Each includes items 12 thru 15)
	37037.1002	2	Gearmotor Assy, Extended Drive Auger (Each includes items 12 thru 15)
	01311.0000	18	Screw, Truss Head #8-32 x .25"
12	32654.0000	1	Magnet Hub, 8 Pole #10 ID x 1.0" OD
	01512.0000	1	Lockwasher, Ext Tooth #10
	00991.0003	1	Nut, Elastic Lock #10-32
13	33608.1000	1	Sensor Assy, RPM
	02336.0000	2	Screw, Truss Head #4-40 x .38"
14	26401.0000	1	Dust Seal, Hopper Motor
15	36773.0000	1	Plate, Auger Drive
	36773.0001	1	Plate, Extended Auger Drive
16	36243.0000	1	Housing, Sensor CB
	01311.0000	1	Screw, Truss Head #8-32 x .38"
17	43718.1000	1	CB Assy, Powder Sensor
18	00970.0000	1	Nut, Keps #8-32
19	36764.0000	1	Spacer, Circuit Board
20	42640.0001*	2	Flavor Labels (Not Illustrated)
21	46719.0000	-	Elbow Kit (Includes items 3-6)

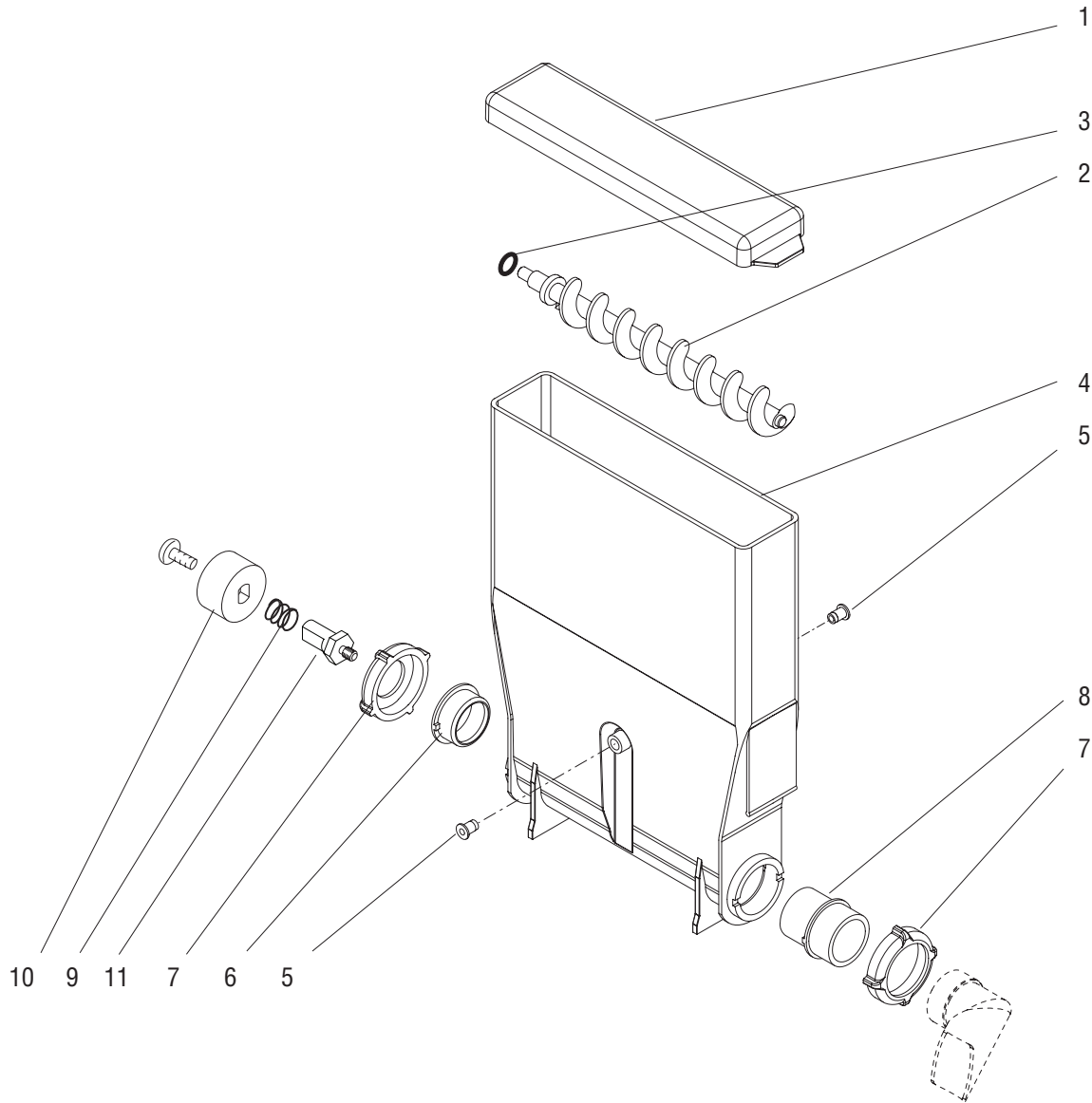
* Indicates the part number listed is for reference only. See DESCRIPTION for possible service replacement.



HOPPER ASSEMBLY

ITEM	PART NO.	QTY.	DESCRIPTION
-	37010.1003	1	Hopper Assy., 6.5 lb. (Includes 1 each of items 1-11)
1	36653.0001	1	Lid, Hopper
2	32337.0000	2	Mixing Blade
3	32386.0001	1	Disk, Agitator (30 Tooth)
4	28067.0000	1	Bushing, Auger Drive Shaft
5	26940.0002	1	Shaft, Auger Drive
6	37011.0002*	1	Hopper
7	39442.0000	1	Auger, Wire
8	25743.0000	1	Locknut
9	36774.0000	1	Spring, Hopper Coupling
10	36770.0000	1	Coupling, Auger Drive
	01326.0002	1	Screw, Truss Head #10-32 x .25"
11	37539.1000	1	Shaft Kit, Auger Drive (Includes 01326.0002 Screw)

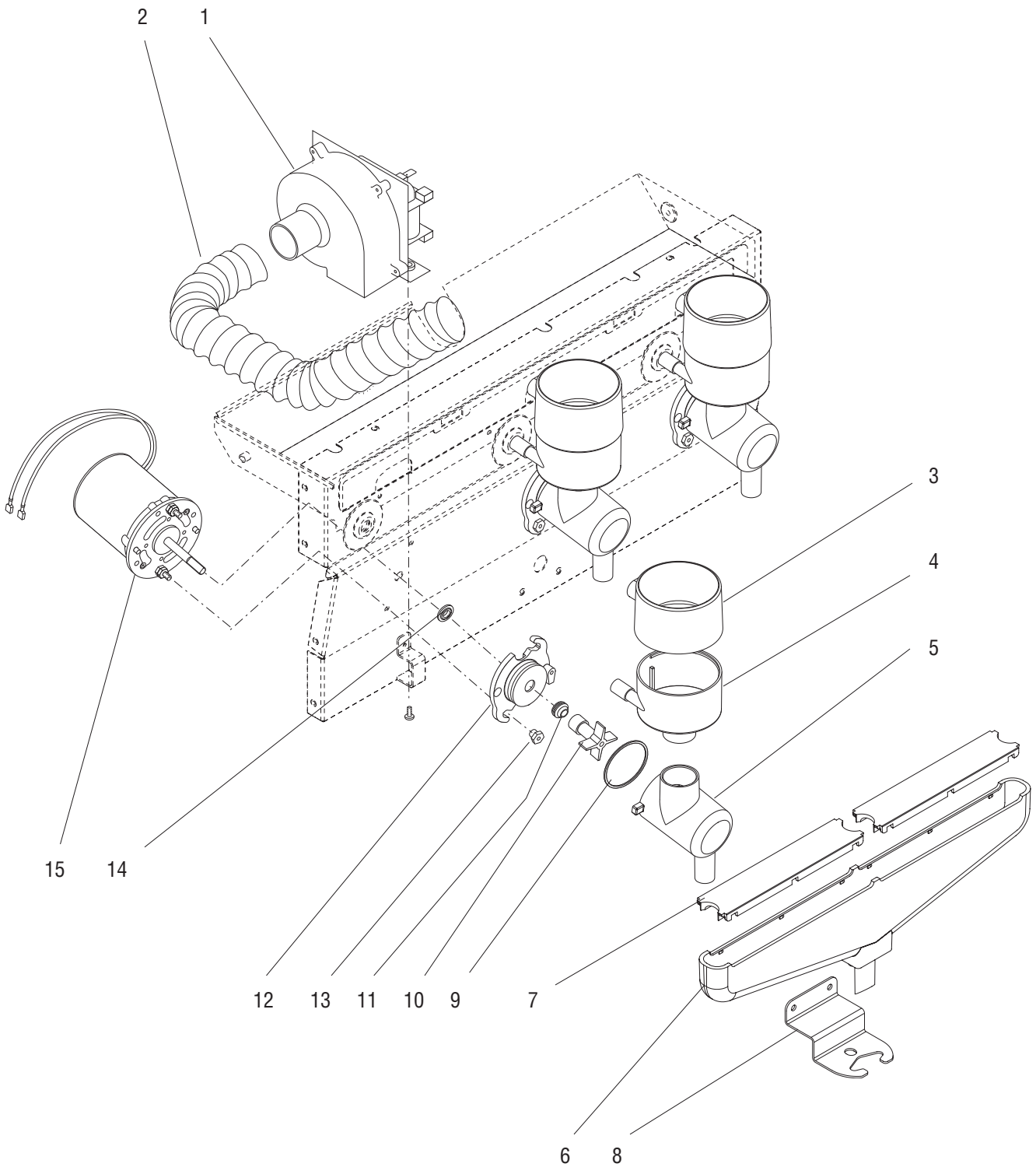
* Indicates the part number listed is for reference only. See DESCRIPTION for possible service replacement.



HOPPER ASSEMBLY

ITEM	PART NO.	QTY.	DESCRIPTION
-	44975.1001	1	Hopper Assy., 2 lb. (Includes 1 each of items 1-11)
1	45054.0000*	1	Lid, Hopper
2	45154.0000*	1	Auger
3	45156.0000*	1	O-ring
4	45047.0000*	1	Hopper
5	45157.0000	2	Plug
6	45153.0000*	1	Flange, Rear
7	45049.0000*	2	Nut, Auger Bearing
8	45048.0000*	1	Bearing, Front
9	36774.0000	1	Spring, Hopper Coupling
10	36770.0000	1	Coupling, Auger Drive
	01326.0002	1	Screw, Truss Head #10-32 x .25"
11	37539.1000	-	Shaft Kit, Auger Drive (Includes 01326.0002 Screw)

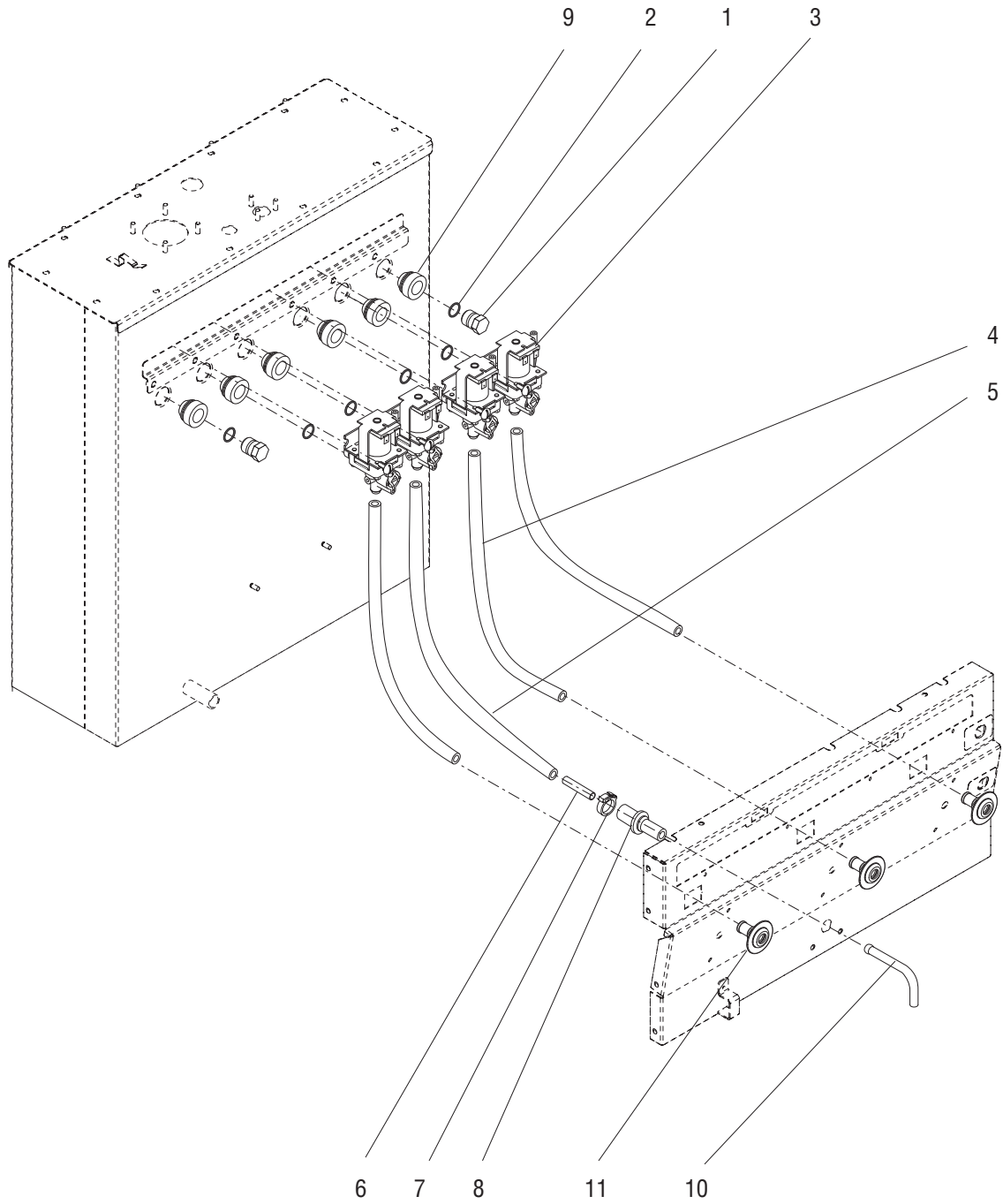
* Indicates the part number listed is for reference only. See DESCRIPTION for possible service replacement.



MIXING/WHIPPER CHAMBERS AND DRIVE MOTOR

ITEM	PART NO.	QTY.	DESCRIPTION
1	28295.0000	1	Fan & Bracket Assembly 120V
	28295.0001	1	Fan & Bracket Assembly 230V
	01311.0001	2	Screw, Truss Head - Locking #8-32 x .25"
2	28297.0001	1	Hose, Vacuum
3	39310.0000	3	Steam Collector
4	42281.0000	3	Mixing Chamber
5	25734.1004	3	Whipper Chamber
6	42114.1002	1	Trough
7	43533.1000	2	Cover
8	38095.0004*	1	Bracket
	01311.0001	2	Screw, Truss Head - Locking #8-32 x .25"
9	24733.0010	3	O-Ring
10	25902.0000	3	Frother
11	26356.0000	3	Seal, Shaft
	26356.1000	-	Kit Shaft Seal (Includes 6 Seals)
12	28866.0000	3	Receptacle, Whipper Chamber
13	28865.0000	6	Nut, Whipper Motor/Receptacle Mounting
14	28867.0000	3	Slinger
15	28428.1000	3	Motor, Whipper 120V
	28428.0004	3	Motor, Whipper 230V
16	46717.0000	-	Whipper Chamber Kit (Includes items 3,4,5,9,10,11,12)
17	46718.0000	-	Trough Kit (Includes items 6 & 7)

* Indicates the part number listed is for reference only. See DESCRIPTION for possible service replacement.

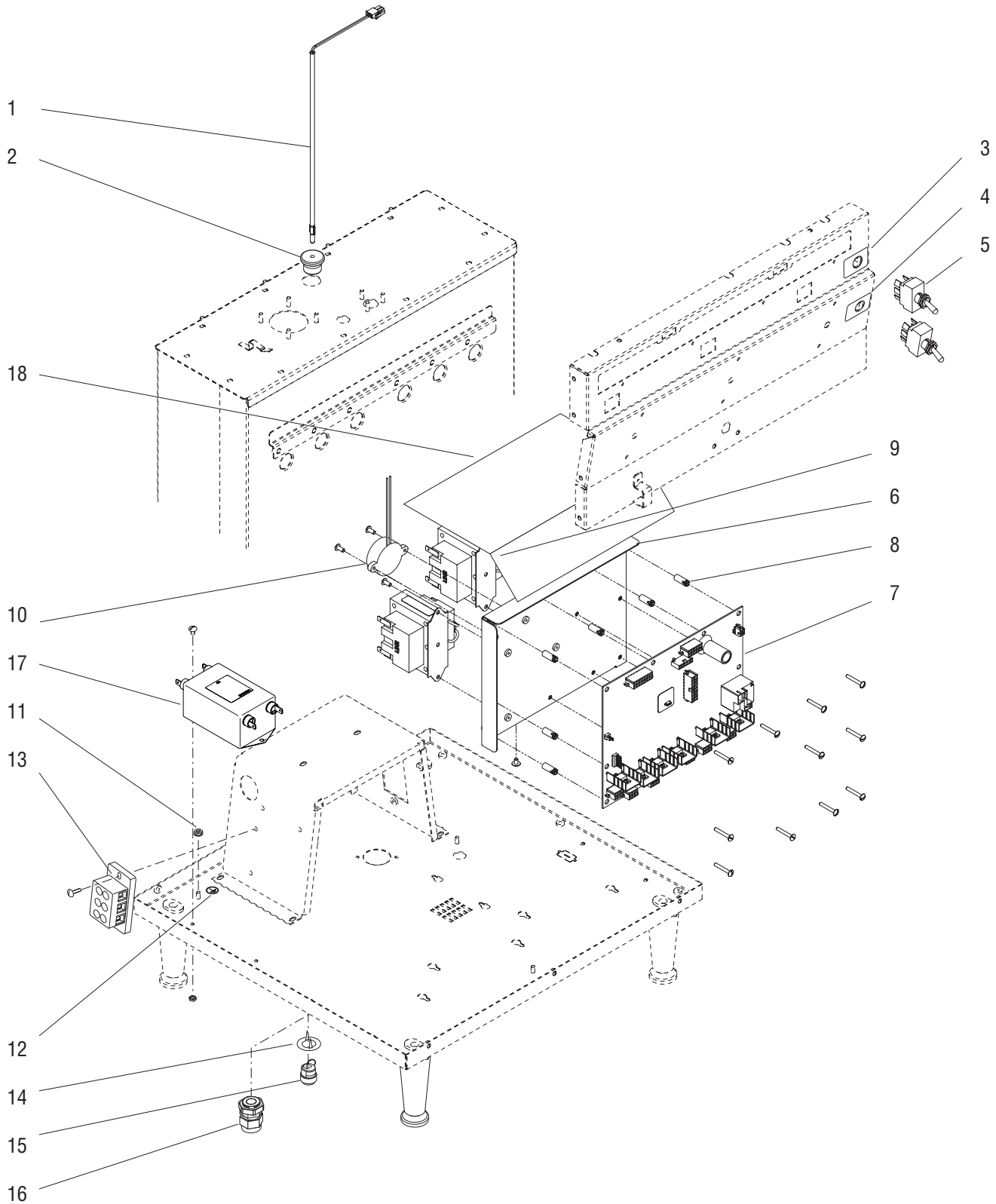


DISPENSE VALVES AND LINES

ITEM	PART NO.	QTY.	DESCRIPTION
1	26369.1000	2	Plug (Includes item 2)
2	24733.0011	6	O-Ring
3	39285.1001	4	Valve, Liquid Dispense 120V (Includes item 2)
	39285.1002	4	Valve, Liquid Dispense 230V (Includes item 2)
	01326.0000	4	Screw, Truss Head #10-32 x .25"
4	28526.0012*	3	Tube, Silicone .312" ID x 14.6" (Order item 12)
5	28526.0002*	1	Tube, Silicone .312" ID x 16.0" (Order item 12)
6	21801.0015	1	Tube, .375" OD x 1.50"
7	12422.0001	1	Clamp, Hose .59"/.66" ID
8	25803.0000	1	Water Inlet, Mixing Chamber
9	37970.0000	6	Grommet
10	32341.0004	1	Tube, Hot Water Dispense
11	39315.0001	3	Fitting, Water Inlet
12	28526.1001	-	Tube, Silicone .312" I.D. x .438" O.D. x 36"
	28526.1002	-	Tube, Silicone .312" I.D. x .438" O.D. x 60"
	28526.1003	-	Tube, Silicone .312" I.D. x .438" O.D. x 120"
13	45964.1000	-	Repair Kit, Dispense Valve (Includes Spring, Plunger, and Diaphragm)

} Not
Illustrated

* Indicates the part number listed is for reference only. See DESCRIPTION for possible service replacement.



ELECTRICAL CONTROLS

ITEM	PART NO.	QTY.	DESCRIPTION
1	39085.0002	1	Temperature Probe
2	33801.0003	1	Grommet
3	44980.0000*	1	Decal, Switch - NORMAL/PROGRAM/RINSE
4	44980.0001*	1	Decal, Switch - ON/OFF/NIGHT
5	28857.1000	2	Switch, Toggle NORMAL/PROGRAM/RINSE and ON/OFF/NIGHT
6	36976.0003*	1	Bracket, Component Mounting
	01311.0001	2	Screw, Truss Head Locking #8-32 x .25"
7	42317.1001	1	Control Board Assy, Main
	01382.0008	11	Screw, Truss Head #6-32 x 1.0"
8	29081.0004	11	Spacer .153" ID x .62" LG
9	27644.1002	2	Transformer 120V
	27644.1006	2	Transformer 230V
	01382.0000	4	Screw, Truss Head #6-32 x .375"
10	33147.0002	1	Audio Indicator Assy
	01382.0000	2	Screw, Truss Head #6-32 x .375"
11	00970.0000	1	Nut, Ground Keps #8-32
12	00824.0002	1	Decal, Grounding
13	07038.0000	1	Terminal Block 120V
	01106.0000	1	Terminal Block 230V
	01317.0000	2	Screw, Truss Head #8-32 x .50"
14	00715.0000	1	Adapter Washer, Strain Relief 120V
15	00713.0000	1	Bushing, Strain Relief 120V
16	05746.0000	1	Bushing, Strain Relief 230V
17	36801.0001	1	EMI Filter 230V
	01315.0000	2	Screw
	00991.0000	2	Nut
18	46365.0000	1	Drip Shield
The following items are not illustrated			
18	20630.0005	1	Cord Assembly, Power 120V
	33529.0004	1	Cord Assembly, Power 230V
19	42489.0000	1	Wiring Harness, Power 120V
	42489.0001	1	Wiring Harness, Power 230V
20	36850.0001	1	Wiring Harness, Switch
21	42486.0000	1	Wiring Harness, I/O Head #1-3
22	42486.0001	1	Wiring Harness, I/O Head #4-6
23	42681.0000	1	Wiring Harness, Transformer
24	35260.0000	1	Cable Mount
25	00604.0000	1	Clamp, Cable
26	00707.0000	1	Bushing, Strain Relief
27	00617.0000	-	Cable Tie

* Indicates the part number listed is for reference only. See DESCRIPTION for possible service replacement.

NUMERICAL INDEX

PART NO.	PAGE NO.	PART NO.	PAGE NO.	PART NO.	PAGE NO.	PART NO.	PAGE NO.
00604.0000	27	12422.0005	13	33529.0004	27	39263.0000	17
00617.0000	11,27	13255.0003	7	33608.1000	17	39263.0001	17
00656.0001	7	20630.0005	27	33801.0003	27	39285.1001	25
00707.0000	27	20936.1000	13	34392.0000	13	39285.1002	25
00707.0001	9	20960.0000	17	34472.1001	9	39308.0002	7
00713.0000	27	20976.0017	15	34572.0000	15	39310.0000	23
00715.0000	27	20976.0055	15	34765.0000	15	39315.0001	25
00824.0002	27	20976.0056	13	35260.0000	9,17,27	39442.0000	19
00906.0000	9	20976.1000	15	35912.1012	5	35925.1001	7
00908.0000	13	20976.1001	15	35912.1014	7	41244.0000	9
00946.0000	13	20976.1002	15	35916.1001	5	41259.1003	13
00970.0000	13	21436.0000	5	35924.0000	5	41266.0000	13
00970.0000	15,17,27	21801.0015	13,25	35926.0000	5	41280.0001	13
00973.0000	9	24733.0010	23	35937.0002	13	41727.0000	9
00986.0000	7	24733.0011	25	35940.0003	13	41822.0000	7
00991.0000	27	25734.1004	23	35943.0000	15	41823.0000	5
00991.0002	9,17	25743.0000	19	35946.0000	15	41921.0000	11
00991.0003	17	25803.0000	25	36220.0000	13	41923.0000	11
01106.0000	27	25902.0000	23	36224.0000	5	41932.0000	9
01311.0000	5,9,17	26356.0000	23	36226.0000	13	42051.0000	9
01311.0001	5,7,9,17,23,27	26356.1000	23	36233.1000	15	42059.0000	9
01311.0003	5,7	26369.1000	25	36233.0001	15	42114.1002	23
01311.0004	9	26401.0000	17	36235.0006	5	42123.0001	5
01315.0000	27	26528.0000	5	36243.0000	17	42124.0000	5
01317.0000	27	26940.0002	19	36378.0001	15	42181.0003	5
01317.0003	5	27644.1002	27	36653.0001	19	42261.0000	17
01320.0000	9	27644.1006	27	36670.0001	7	42281.0000	23
01326.0000	25	28067.0000	19	36740.1000	13	42317.1001	27
01326.0002	19,21	28095.0000	9	36741.1000	13	42471.0001	5
01382.0000	27	28295.0000	23	36764.0000	17	42486.0000	27
01382.0008	27	28295.0001	23	36766.0003	17	42486.0001	27
01501.0000	13	28297.0001	23	36770.0000	19,21	42487.0000	9
01511.0000	13	28428.0004	23	36773.0000	17	42489.0000	27
01512.0000	17	28428.1000	23	36773.0001	17	42489.0001	27
01516.0000	9	28526.0002	25	36774.0000	19,21	42523.0000	9
01526.0001	5	28526.0012	25	36801.0001	27	42538.0001	9
01592.0001	15	28526.0045	13	36850.0001	27	42593.0000	9
02336.0000	5,17	28526.1000	15	36896.0000	7	42596.0001	9
02434.0008	5	28526.1001	15,25	36976.0003	27	42598.0001	5
02434.0012	5	28526.1002	15,25	37010.1003	19	42609.0004	11
02434.1000	7	28526.1003	15,25	37011.0002	19	42640.0001	17
02434.1001	7	28857.1000	27	37037.0000	17	42679.0001	9
02536.0000	13	28865.0000	23	37037.1002	17	42681.0000	27
03633.0000	13	28866.0000	23	37065.0000	7	42724.0001	9
03803.0002	13	28867.0000	23	37297.0006	15	43514.0001	11
03807.0000	13	29081.0004	27	37539.1000	19,21	43533.1000	23
03996.0000	5	29081.0005	9	37881.0000	5	43644.0000	15
04797.0000	13	29329.1000	13	37970.0000	25	43718.1000	17
05515.0000	13	32283.0000	15	38095.0004	23	43727.1000	9
05746.0000	27	32337.0000	19	38278.0003	5	43880.0000	17
07038.0000	27	32341.0004	25	38278.1002	7	43881.0000	17
11630.0001	13	32386.0001	19	38948.0000	15	43940.0000	9
12398.0000	13	32654.0000	17	39085.0002	27	44031.0001	9
12422.0001	13,25	33147.0002	27	39133.1001	13	44074.1000	9

NUMERICAL INDEX

PART NO.	PAGE NO.	PART NO.	PAGE NO.	PART NO.	PAGE NO.	PART NO.	PAGE NO.
44095.0000.....	11						
44224.0000.....	9						
44975.0001.....	21						
44980.0000.....	27						
44980.0001.....	27						
44990.0000.....	5						
44991.0000.....	9						
44994.0000.....	7						
44996.0000.....	5						
44998.0001.....	5						
45015.0000.....	5						
45047.0000.....	21						
45048.0000.....	21						
45049.0000.....	21						
45054.0000.....	21						
45153.0000.....	21						
45154.0000.....	21						
45156.0000.....	21						
45157.0000.....	21						
45158.0000.....	11						
45377.1001.....	9						
45964.1000.....	25						
46365.0000.....	27						
46368.0000.....	7						
46717.0000.....	23						
46718.0000.....	23						
46719.0000.....	17						
M2522.1000.....	11						