

BUNN®

IMIX®-3S

Oatmeal Dispenser



ILLUSTRATED PARTS CATALOG

Designs, materials, weights, specifications, and dimensions for equipment or replacement parts are subject to change without notice.

BUNN-O-MATIC CORPORATION

POST OFFICE BOX 3227

SPRINGFIELD, ILLINOIS 62708-3227

PHONE: (217) 529-6601 FAX: (217) 529-6644



BUNN-O-MATIC COMMERCIAL PRODUCT WARRANTY

Bunn-O-Matic Corp. ("BUNN") warrants equipment manufactured by it as follows:

- 1) Airpots, thermal carafes, decanters, GPR servers, iced tea/coffee dispensers, MCP/MCA pod brewers thermal servers and Thermofresh servers (mechanical and digital)- 1 year parts and 1 year labor.
- 2) All other equipment - 2 years parts and 1 year labor plus added warranties as specified below:
 - a) Electronic circuit and/or control boards - parts and labor for 3 years.
 - b) Compressors on refrigeration equipment - 5 years parts and 1 year labor.
 - c) Grinding burrs on coffee grinding equipment to grind coffee to meet original factory screen sieve analysis - parts and labor for 4 years or 40,000 pounds of coffee, whichever comes first.

These warranty periods run from the date of installation BUNN warrants that the equipment manufactured by it will be commercially free of defects in material and workmanship existing at the time of manufacture and appearing within the applicable warranty period. This warranty does not apply to any equipment, component or part that was not manufactured by BUNN or that, in BUNN's judgment, has been affected by misuse, neglect, alteration, improper installation or operation, improper maintenance or repair, non periodic cleaning and descaling, equipment failures related to poor water quality, damage or casualty. In addition, the warranty does not apply to replacement of items subject to normal use including but not limited to user replaceable parts such as seals and gaskets. This warranty is conditioned on the Buyer 1) giving BUNN prompt notice of any claim to be made under this warranty by telephone at (217) 529-6601 or by writing to Post Office Box 3227, Springfield, Illinois 62708-3227; 2) if requested by BUNN, shipping the defective equipment prepaid to an authorized BUNN service location; and 3) receiving prior authorization from BUNN that the defective equipment is under warranty.

THE FOREGOING WARRANTY IS EXCLUSIVE AND IS IN LIEU OF ANY OTHER WARRANTY, WRITTEN OR ORAL, EXPRESS OR IMPLIED, INCLUDING, BUT NOT LIMITED TO, ANY IMPLIED WARRANTY OF EITHER MERCHANTABILITY OR FITNESS FOR A PARTICULAR PURPOSE. The agents, dealers or employees of BUNN are not authorized to make modifications to this warranty or to make additional warranties that are binding on BUNN. Accordingly, statements by such individuals, whether oral or written, do not constitute warranties and should not be relied upon.

If BUNN determines in its sole discretion that the equipment does not conform to the warranty, BUNN, at its exclusive option while the equipment is under warranty, shall either 1) provide at no charge replacement parts and/or labor (during the applicable parts and labor warranty periods specified above) to repair the defective components, provided that this repair is done by a BUNN Authorized Service Representative; or 2) shall replace the equipment or refund the purchase price for the equipment.

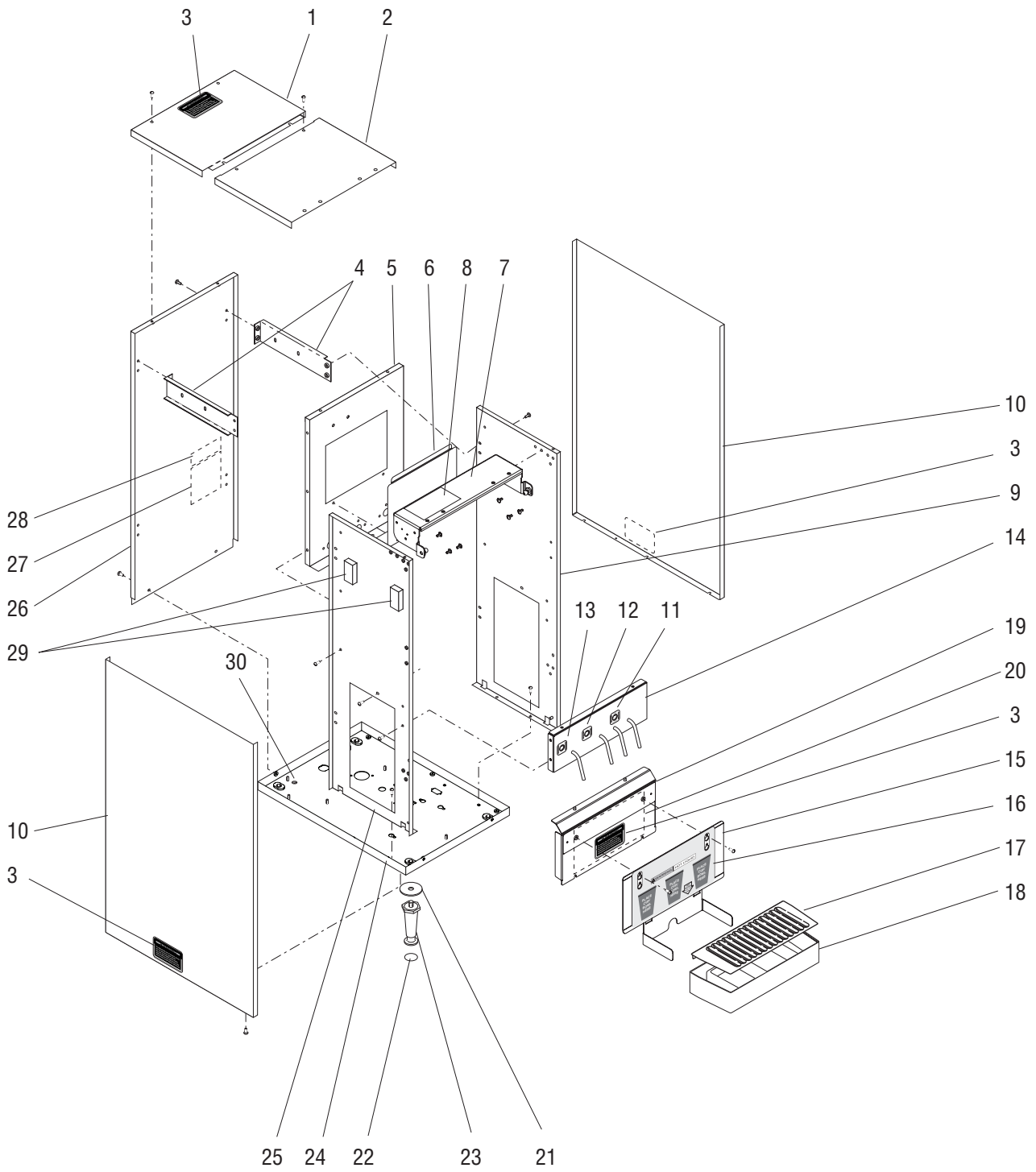
THE BUYER'S REMEDY AGAINST BUNN FOR THE BREACH OF ANY OBLIGATION ARISING OUT OF THE SALE OF THIS EQUIPMENT, WHETHER DERIVED FROM WARRANTY OR OTHERWISE, SHALL BE LIMITED, AT BUNN'S SOLE OPTION AS SPECIFIED HEREIN, TO REPAIR, REPLACEMENT OR REFUND.

In no event shall BUNN be liable for any other damage or loss, including, but not limited to, lost profits, lost sales, loss of use of equipment, claims of Buyer's customers, cost of capital, cost of down time, cost of substitute equipment, facilities or services, or any other special, incidental or consequential damages.

392, A Partner You Can Count On, Air Infusion, AutoPOD, AXIOM, BrewLOGIC, BrewMETER, Brew Better Not Bitter, BrewWISE, BrewWIZARD, BUNN Espresso, BUNN Family Gourmet, BUNN Gourmet, BUNN Pour-O-Matic, BUNN, BUNN with the stylized red line, BUNNlink, Bunn-O-Matic, Bunn-O-Matic, BUNNserve, BUNNSERVE with the stylized wrench design, Cool Froth, DBC, Dr. Brew stylized Dr. design, Dual, Easy Pour, EasyClear, EasyGard, FlavorGard, Gourmet Ice, Gourmet Juice, High Intensity, iMIX, Infusion Series, Intellisteam, My Café, Phase Brew, PowerLogic, Quality Beverage Equipment Worldwide, Respect Earth, Respect Earth with the stylized leaf and coffee cherry design, Safety-Fresh, savemycoffee.com, Scale-Pro, Silver Series, Single, Smart Funnel, Smart Hopper, SmartWAVE, Soft Heat, SplashGard, The Mark of Quality in Beverage Equipment Worldwide, ThermoFresh, Titan, trifacta, Velocity Brew, Air Brew, Beverage Bar Creator, Beverage Profit Calculator, Brew better, not bitter., BUNNSource, Coffee At Its Best, Cyclonic Heating System, Daypart, Digital Brewer Control, Element, Milk Texturing Fusion, Nothing Brews Like a BUNN, Pouring Profits, Signature Series, Sure Tamp, Tea At Its Best, The Horizontal Red Line, Ultra are either trademarks or registered trademarks of Bunn-O-Matic Corporation. The commercial trifacta® brewer housing configuration is a trademark of Bunn-O-Matic Corporation.

TABLE OF CONTENTS

TITLE	PAGE NO.
Auger Drive and Hopper Assembly	12
Covers, Panels and Drip Tray	4
Dispense Valves and Lines.....	18
Door, Lamp, Dispense Switches and Panels	8
Electrical Controls	20
Numerical Index.....	24
Tank, Heater and Overflow Protection	14



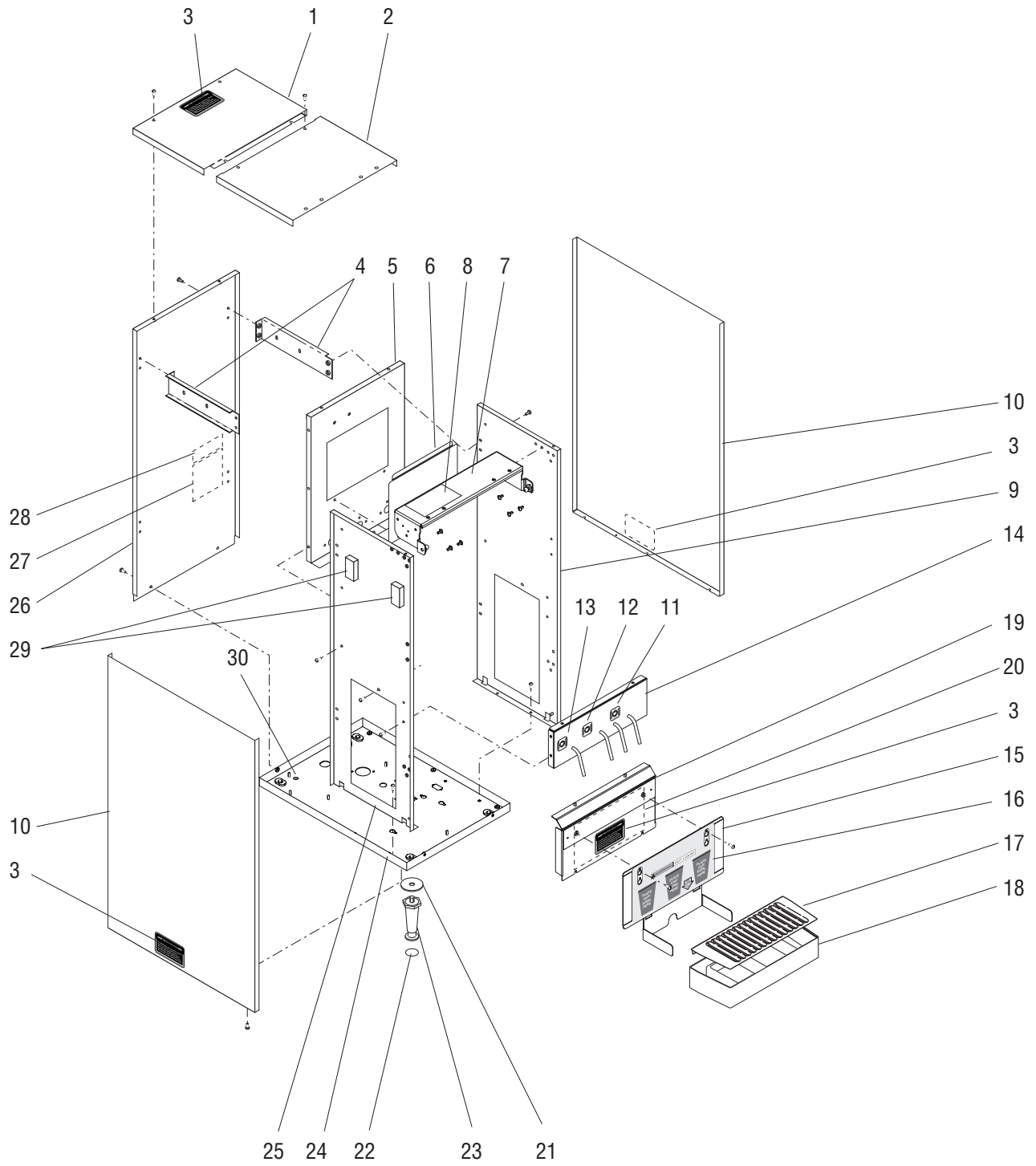
COVERS, PANELS AND DRIP TRAY

ITEM	PART NO.	QTY.	DESCRIPTION
1	36958.1001	1	Cover W/Decal, Top Rear (Includes item 3)
	01311.0003	2	Screw, Truss Head BLK #8-32 x .25"
2	41577.0001	1	Cover, Top Front - BLK
	01311.0003	2	Screw, Truss Head BLK #8-32 x .25"
	01382.0002	2	Screw, Truss Head BLK #6-32 x .375"
3	37881.0000	4	Decal, No Serviceable Parts
4	35926.0000	4	Bracket, Side Support
	01311.0001	8	Screw, Truss Head - Locking #8-32 x .25"
5	36967.0006	1	Panel, Inner Rear
	01311.0001	6	Screw, Truss Head - Locking #8-32 x .25"
6	36968.0001	1	Panel, Inner Access
	01311.0000	2	Screw, Truss Head #8-32 x .25"
7	42598.1000	1	Bracket, Top Support (Also order item 8)
	01317.0003	6	Screw, Truss Head - Locking #8-32 x .375"
8	28368.0004	1	Decal, Thermostat Adjustment
9	36230.0005	1	Panel, Inner Right
	01311.0001	2	Screw, Truss Head - Locking #8-32 x .25"
10	35912.1012	1	Panel, Right Side (Includes item 3)
	35912.1014	1	Panel, Left Side (Includes item 3)
	01311.0003	6	Screw, Truss Head BLK #8-32 x .25"
11	26524.0000	1	Decal, Tank Heater Switch
12	26523.0000	1	Decal, Rinse/Run Switch
13	28872.0000	1	Decal, Increase/Decrease Switch
14	44920.0000	1	Panel, Dispense
	01311.0001	8	Screw, Truss Head - Locking #8-32 x .25"
15	37498.1003	1	Panel W/Decal, Splash (Includes item 16)
16	29216.0005	1	Decal, Bowl/Cup Placement
17	28267.0000	1	Cover, Drip Tray
18	28268.0000	1	Drip Tray
19	44885.0000*	1	Panel, Lower Access (Also order item 3)
	01311.0000	2	Screw, Truss Head #8-32 x .25"
20	39027.0001	1	Schematic 120V (Doors with Fluorescent Lighting)
	39027.0002	1	Schematic 230V (Doors with Fluorescent Lighting)
	39027.0011	1	Schematic 120V (Doors with LED Lighting)
	39027.0012	1	Schematic 230V (Doors with LED Lighting)
21	01526.0001	4	Washer, Flat .438" ID x 1.88" OD

(Continued)

* Indicates the part number listed is for reference only. See DESCRIPTION for possible service replacement.

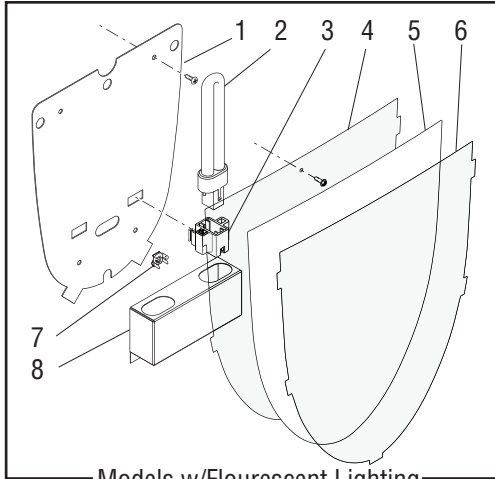
(Continued)



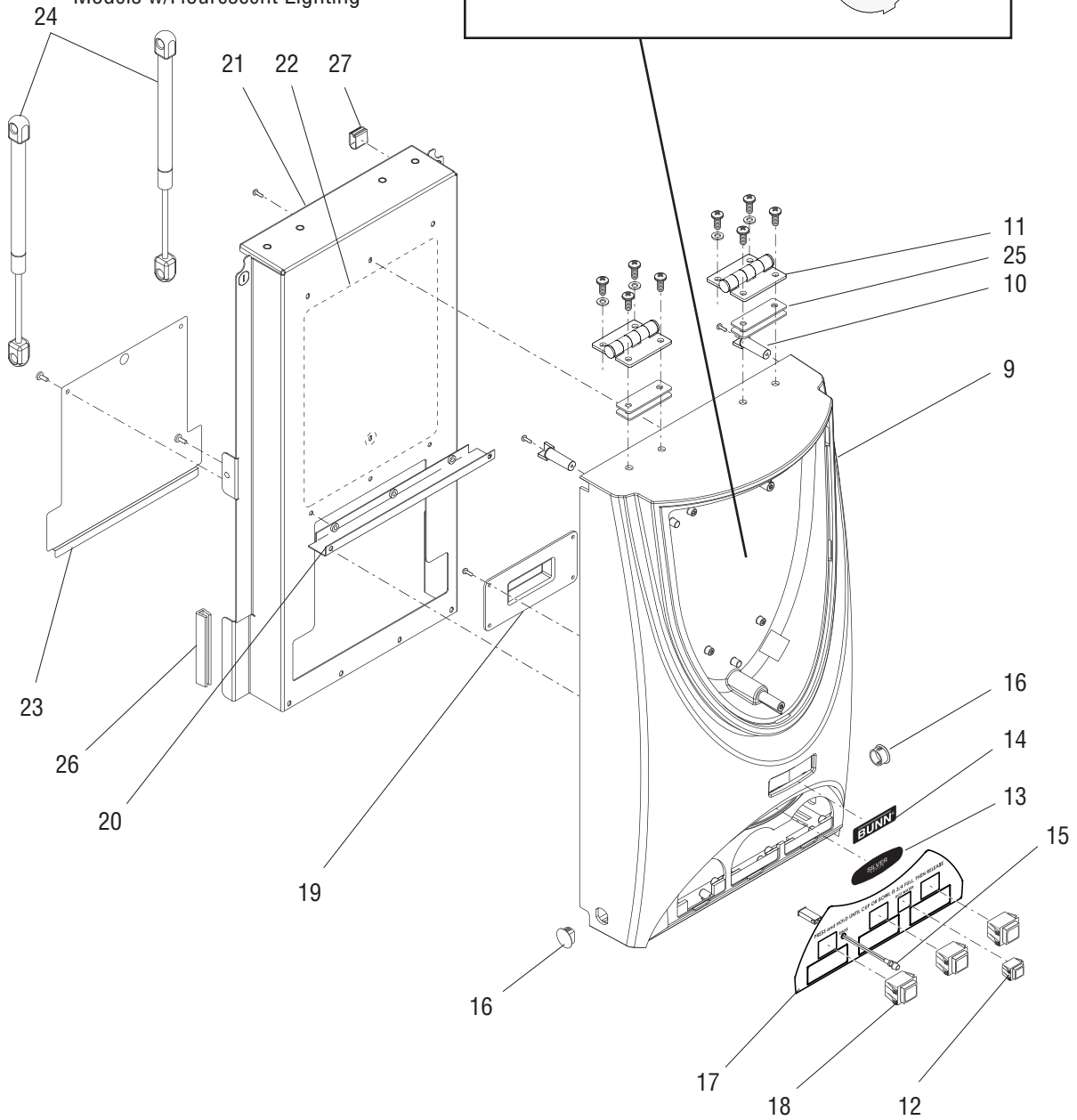
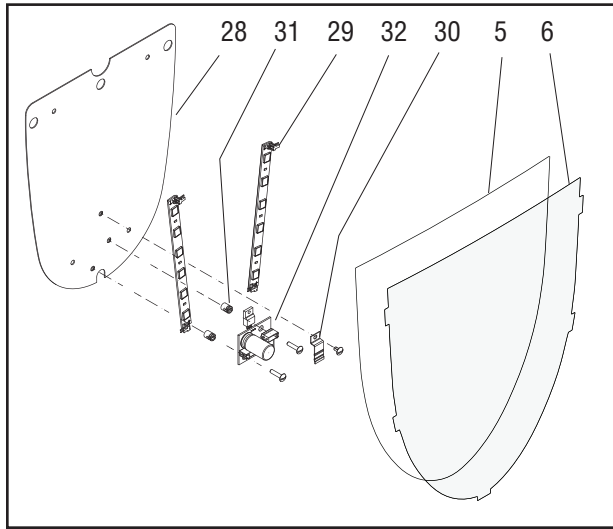
COVERS, PANELS AND DRIP TRAY

ITEM	PART NO.	QTY.	DESCRIPTION
22	03996.0000	4	Pad, Rubber 1.25" Dia. (Also see item 31)
23	26528.0000	4	Leg, 4.0" Adjustable (Also see item 31)
24	36963.0000	1	Panel, Bottom
25	36229.0005	1	Panel, Inner Left
	01311.0001	2	Screw, Truss Head - Locking #8-32 x .25"
26	36961.1001	1	Panel Assembly, Rear - BLK (Includes items 27 and 28)
	01311.0003	10	Screw, Truss Head BLK #8-32 x .25"
27	00986.0000	1	Decal, Warning-Electrical
28	00656.0001	1	Decal, Comply to Plumbing Code
29	36896.0000	4	Pad, Styro 1.0" x 2.0" x 0.5"
30	00824.0002	1	Decal, Grounding
31	13255.0003	-	Kit, Leg 4.0" Adjustable (Includes 4 each of items 22 & 23)

* Indicates the part number listed is for reference only. See DESCRIPTION for possible service replacement.



Models w/Flourescent Lighting



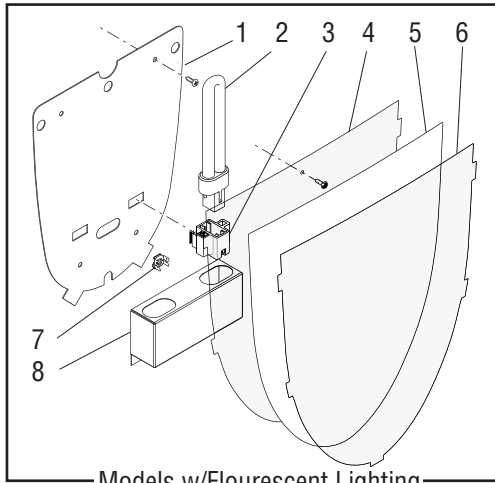
DOOR, LAMP, DISPENSE SWITCHES AND PANELS

ITEM	PART NO.	QTY.	DESCRIPTION
1	37466.0003	1	Panel, Lamp (Doors with Fluorescent Lighting)
	01360.0002	4	Screw, Pan Head Plascrew #6 - 32 x .375"
2	32806.0000	2	Lamp, Fluorescent - 7 Watts (Doors with Fluorescent Lighting)
3	32807.0001	2	Lamp Holder, Fluorescent (Doors with Fluorescent Lighting)
4	37456.0000	1	Lens, Fixed
	02336.0000	2	Screw, Truss Head #4-40 x .375"
5	37457.0010	1	Display, Oatmeal Graphics
6	37456.0001	1	Lens, Removable
7	28335.0000	1	Clip, Ground
8	40032.0000	1	Bracket
9	37096.0007	1	Door
10	36244.0000	2	Plug, Door Hinge
	44224.0000	2	Screw, Pan Head Plastite #6 - 32 x .375"
11	43514.0001	2	Hinge
	41923.0000	8	Screw, Pan Head BLK .25-20 x
	41921.0000	8	Washer
12	44940.0000	1	Switch, Hot Water Dispense
13	38451.0000	1	Decal, Silver Series
14	38499.0000	1	Decal, BUNN
15	12517.0001	1	Lamp, LED
16	00669.0004	2	Plug .75" x .625" hole
17	39016.0003*	1	Plate Assy, Switch
18	28296.0002	3	Switch, Dispense
19	42687.0000	1	Cover, LCD Blank
	44224.0000	4	Screw, Pan Head Plastite #6 x .375"
20	36734.0001	1	Bracket, Inner Panel
	01360.0002	2	Screw, Pan Head Plascrew #6 - 32 x .375"
21	41564.0000	1	Panel, Door - Upper (Includes item 7)
	44224.0000	8	Screw, Pan Head Plastite #6 x .375"
	01311.0001	1	Screw, Truss Head Locking #8-32 x .25"
22	37254.0003	1	Decal, Cleaning
23	36659.0003	1	Panel, Door - Lower
	01311.0000	2	Screw, Truss Head #8-32 x .25"
24	33111.1001	2	Gas Spring
25	44095.0000	4	Shim

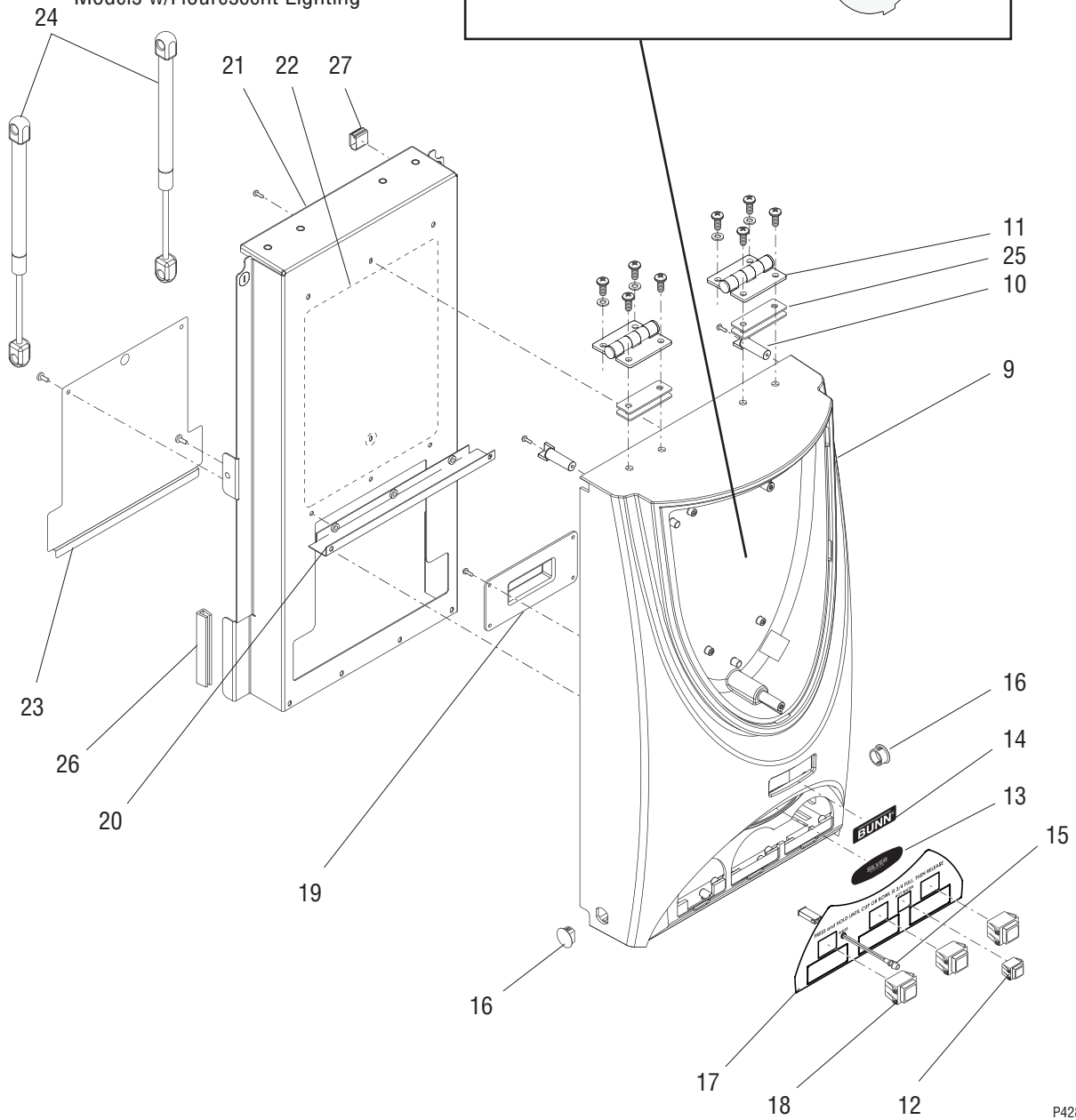
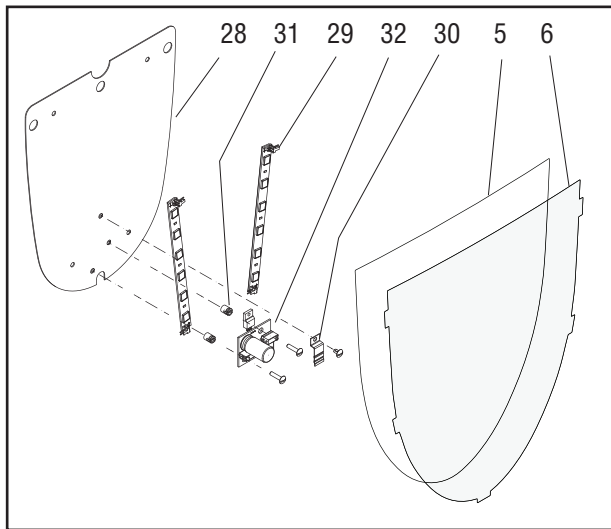
(Continued)

* Indicates the part number listed is for reference only. See DESCRIPTION for possible service replacement.

(Continued)



Models w/Flourescent Lighting



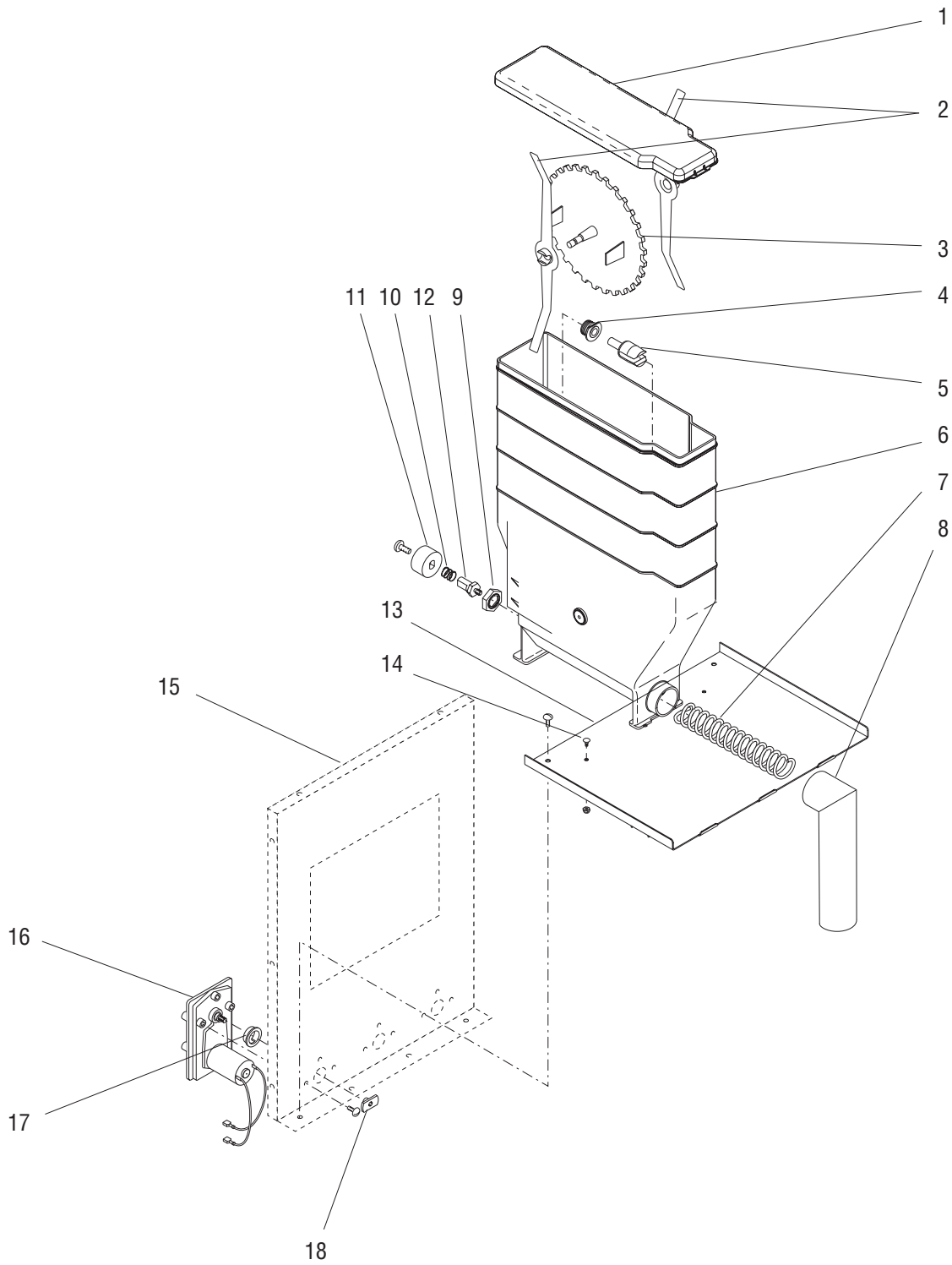
DOOR, LAMP, DISPENSE SWITCHES AND PANELS

ITEM	PART NO.	QTY.	DESCRIPTION
26	02434.0005*	2	Gasket, U-channel 3.5" (order item 38)
27	35260.0000	2	Cable Mount
28	46278.0001	1	Panel, LED (Doors with LED Lighting)
	01360.0002	4	Screw, Pan Head Plascrew #6 - 32 x .375"
29	42593.0000	2	CBA, 6 LED
30	41244.0000	1	Clip
	01308.0002	1	Screw, Truss Head 6-32 x .25" Lkg
31	29081.0005	2	Spacer
32	48005.0001	1	CBA, Backlight Regulator
	02367.0002	2	Screw, Truss Head 6-32 x .62" Lkg

NOTE: The following items are not illustrated

33	00707.0001	2	Bushing, Strain Relief
34	39013.0002	1	Wiring Harness, Door Interconnect (Doors with Flourescent Lighting)
	39013.0012	1	Wiring Harness, Door Interconnect (Doors with LED Lighting)
35	36887.0003	1	Wiring Harness, Backlight (Doors with Flourescent Lighting)
36	42596.0001	1	Spiral Wrap
37	26537.0043	1	Decal, Oatmeal Flavors (Maple & Brown Sugar, Peaches & Cream, Apples & Cinnamon, Cinnamon & Spice, Original)
38	02434.1000	-	Gasket, U-Channel - 18" LG
	02434.1001	-	Gasket, U-Channel - 36" LG
39	42609.0000	1	Wiring Harness, LED to CBA (Doors with LED Lighting)
40	M2522.0000	-	Heat Sink Compound

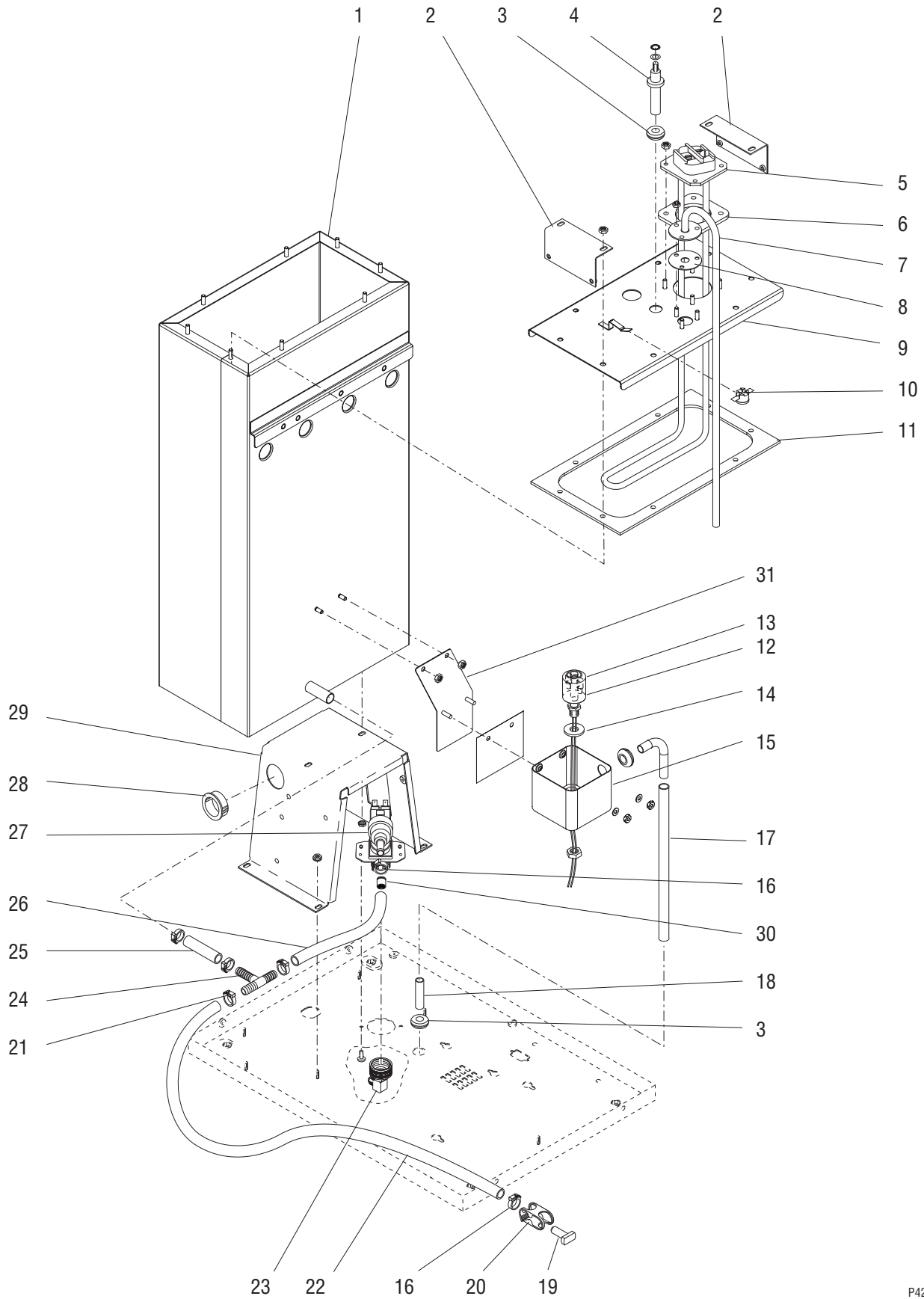
* Indicates the part number listed is for reference only. See DESCRIPTION for possible service replacement.



AUGER DRIVE AND HOPPER ASSEMBLY

ITEM	PART NO.	QTY.	DESCRIPTION
-	37010.1006	3	Hopper Assy (Includes one each of items 1-12)
1	36653.0001	3	Lid, Hopper
2	32337.0000	6	Mixing Blade
3	32386.0001	3	Disk, Agitator (30 Tooth)
4	28067.0000	3	Bushing, Auger Drive Shaft
5	26940.0002	3	Shaft, Auger Drive
6	37011.0001	3	Hopper
7	39442.0000	3	Auger, Wire
8	44266.1000	3	Tube, Dispense
9	25743.0000	3	Locknut
10	36774.0000	3	Spring, Hopper Coupling
11	36770.0000	3	Coupling, Auger Drive
	01326.0002	3	Screw, Truss Head #10-32 x .25"
12	37539.1000	3	Shaft, Auger Drive
13	36970.0000	1	Panel, Hopper Support
	01311.0000	2	Screw, Truss Head #8-32 x .25" Locking
14	20960.0000	3	Screw, Shoulder #6-32 x .375"
	00991.0002	3	Nut, Elastic Lock #6-32
15	-----	-	See COVERS, PANELS & DRIP TRAYS
16	37037.0001	3	Gearmotor Assy, Auger (Each includes items 17 & 18)
	01311.0000	9	Screw, Truss Head #8-32 x .25"
17	26401.0000	1	Dust Seal, Hopper Motor
18	36773.0000	1	Plate, Auger Drive
19	35260.0000	2	Cable Mount, Adhesive (Not Illustrated)

* Indicates the part number listed is for reference only. See DESCRIPTION for possible service replacement.



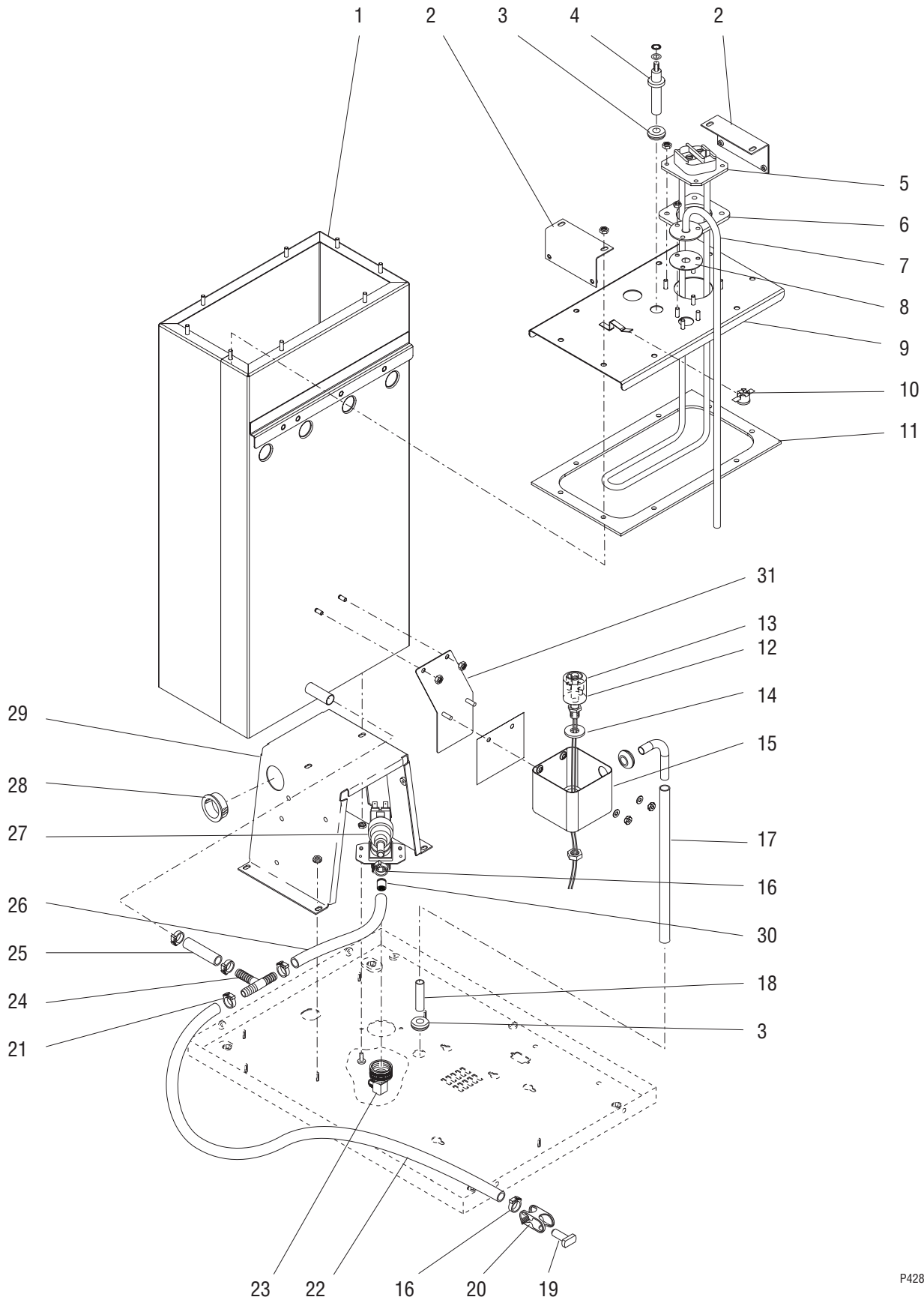
TANK, HEATER AND OVERFLOW PROTECTION

ITEM	PART NO.	QTY.	DESCRIPTION
1	37098.1004	1	Tank, Squared
	00970.0000	2	Nut, Keps #8-32
2	36226.0000	2	Bracket, Tank Mounting Upper
	00908.0000	4	Nut #8-32
3	02536.0000	2	Grommet, .375" I.D.
4	20936.1000	1	Probe Kit (Includes items indented below)
	20203.0100	1	Lockwasher, Internal Tooth #8
	01501.0000	1	Washer, Flat .164" ID x .375" OD
	00908.0000	1	Nut, #8-32
5	36741.1000	1	Tank Heater, 1700W 120V (Includes item 6)
	36740.1000	1	Tank Heater, 3500W 240V (Includes item 6)
	00908.0000	4	Nut, #8-32
6	12398.0000	1	Gasket, Tank Heater
7	36220.0000	1	Tube, Overflow
	00908.0000	3	Nut, #8-32
8	05515.0000	1	Gasket, Overflow Tube
9	35940.0002	1	Lid, Squared Tank
	00908.0000	4	Nut, Hex #8-32
10	29329.1000	1	Thermostat, Limit
11	35937.0003	1	Gasket, Squared Tank Lid
12	03803.0002	1	Switch Assy, Liquid Level (Includes items 13 & 14)
	00946.0000	1	Nut, Hex .125" FPT
13	03807.0000	1	Clip, Spring
14	03633.0000	1	Gasket, Float Switch
15	41259.0003	1	Overflow Cup (Aluminum)
	00908.0000	2	Nut #8-32
	41266.0000	1	Film
	41280.0001	1	Elbow
	04797.0000	1	Washer
16	12422.0001	2	Clamp, Hose .59"/.66" ID
17	28526.0043*	1	Tube, Silicone .312" ID x 3.0" (Order item 32)
18	21801.0015	1	Tube .375" O.D. x 1.50" LG
19	34392.0000	1	Plug, Hose .375" ID
20	11630.0001	1	Clamp, Shut Off
21	12422.0005	4	Clamp, Hose .62"/.71" ID

(Continued)

* Indicates the part number listed is for reference only. See DESCRIPTION for possible service replacement.

(Continued)



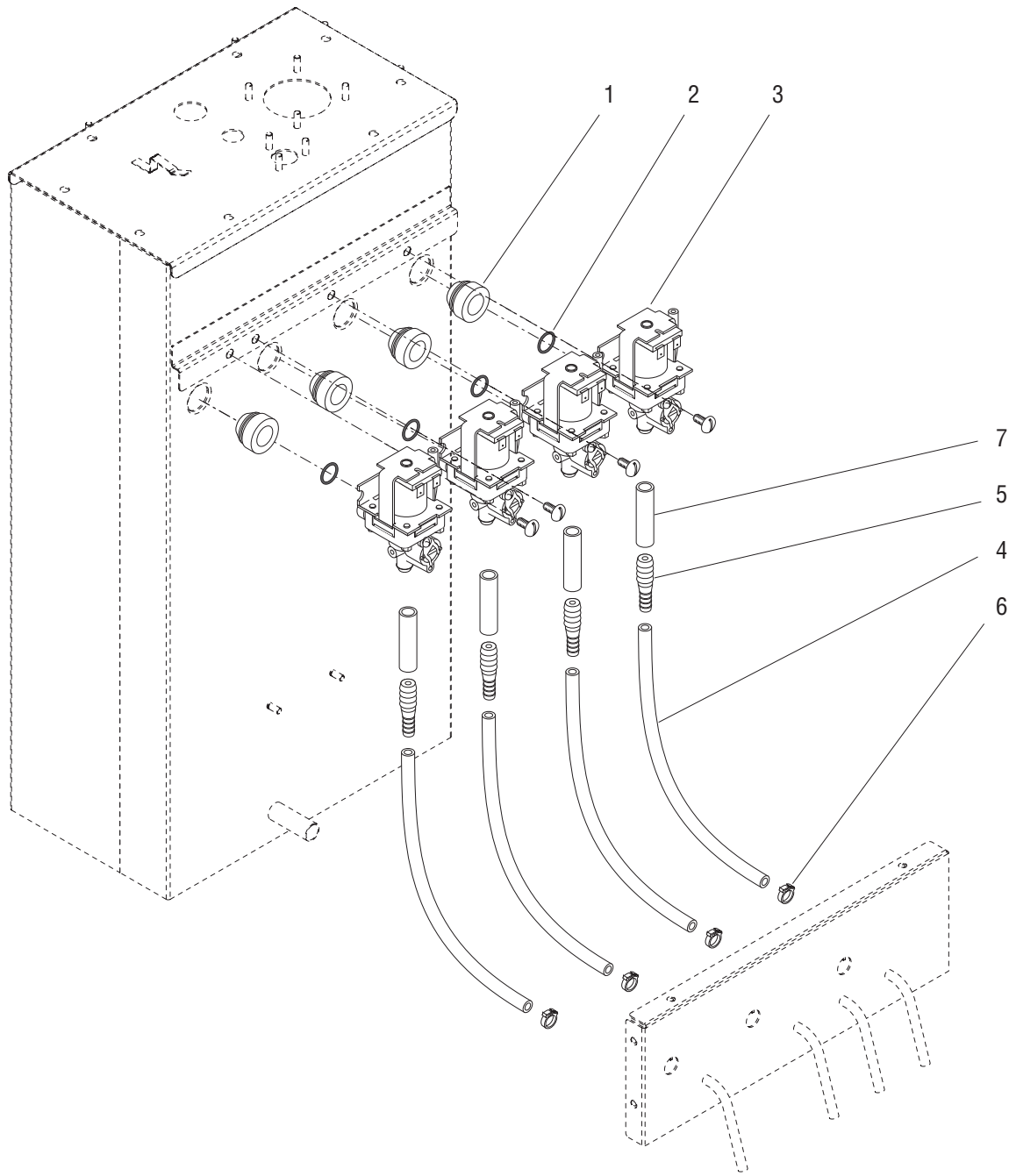
P4287.50

TANK, HEATER AND OVERFLOW PROTECTION

ITEM	PART NO.	QTY.	DESCRIPTION
22	20976.0056*	1	Tube, Silicone .375" ID x 28.0" (Order item 33)
23	37297.0006	1	Elbow, .25" Flare x .75" FTHRD
24	38948.0000	1	Tee, .50" Barb
25	20976.0017*	1	Tube, Silicone .375" ID x 2.0" (Order item 33)
26	20976.0055*	1	Tube, Silicone .375" ID x 9.0" (Order item 33)
27	36233.1000	1	Valve, Water Inlet 120V (See item 36)
	36233.1001	1	Valve, Water Inlet 230V (See item 36)
	32283.0000	2	Screw, Pan Head M4 x 6MM
28	01592.0001	1	Bushing, Snap 1.18" Dia. Hole
29	35942.0001*	1	Bracket, Tank Mounting Lower 120V
	37099.0000	1	Bracket, Tank Mounting Lower 230V
	00970.0000	4	Nut, Keps #8-32
30	36378.0001	1	Check Valve
31	44876.0000	1	Plate
	00908.0000	2	Nut #8-32
32	28526.1000	-	Tube, Silicone .312" ID x .562" OD x 12"
	28526.1001	-	Tube, Silicone .312" ID x .562" OD x 36"
	28526.1002	-	Tube, Silicone .312" ID x .562" OD x 60"
	28526.1003	-	Tube, Silicone .312" ID x .562" OD x 120"
33	20976.1000	-	Tube, Silicone, .375" ID x .50" OD x 12.0"
	20976.1001	-	Tube, Silicone, .375" ID x .50" OD x 36.0"
	20976.1002	-	Tube, Silicone, .375" ID x .50" OD x 120.0"
34	35946.0002	1	Baffle
35	34572.0000	2	Panel, Baffle Insert
	34765.0000	4	Nut, Flanged #10-32
36	43644.0000	-	Kit, Valve Rebuild

Not Illustrated

* Indicates the part number listed is for reference only. See DESCRIPTION for possible service replacement.

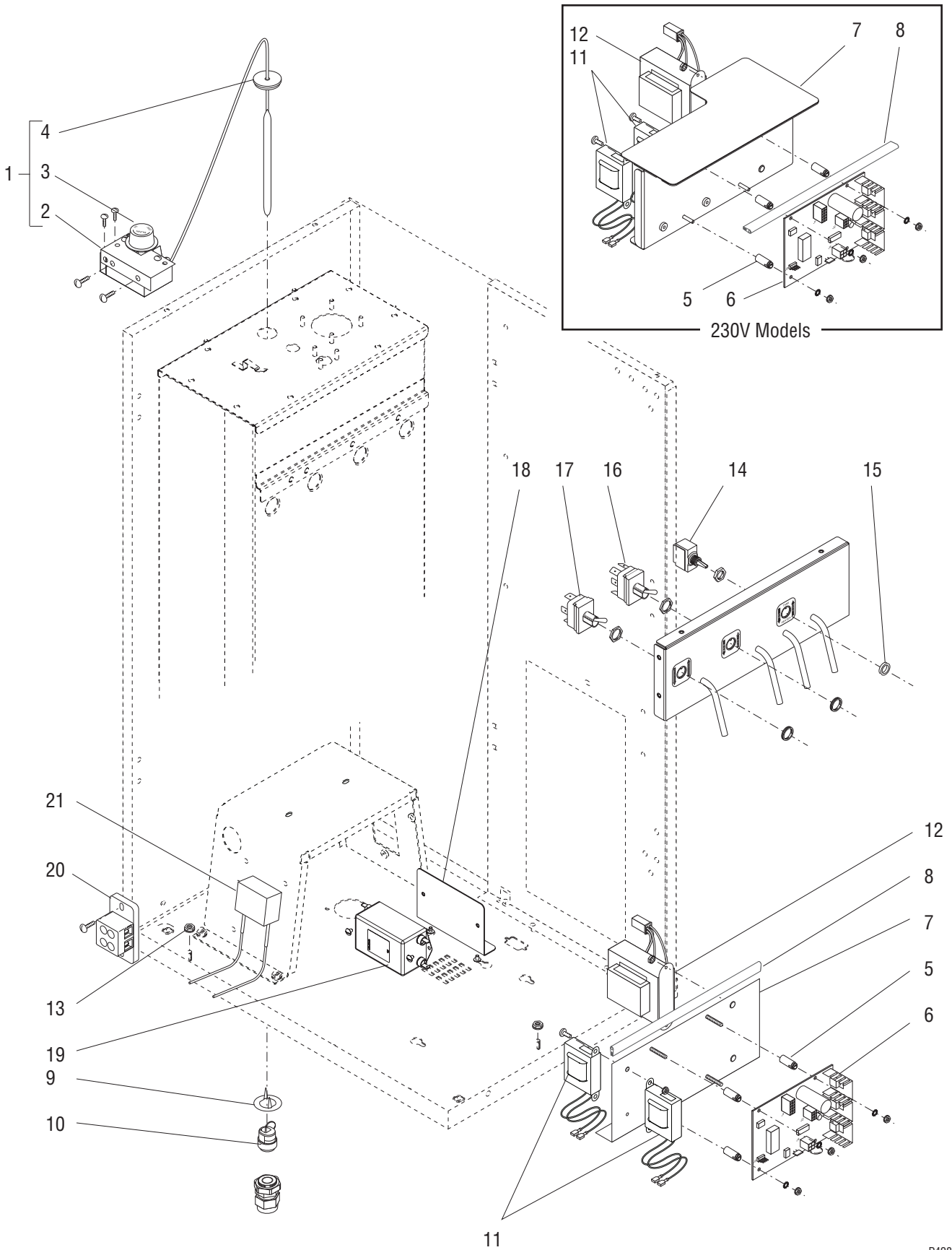


DISPENSE VALVES AND LINES

ITEM	PART NO.	QTY.	DESCRIPTION
1	37970.0000	4	Grommet
2	24733.0011	4	O-Ring
3	39285.1001	4	Valve, Liquid Dispense 120V (Includes item 2)
	39285.1002	4	Valve, Liquid Dispense 230V (Includes item 2)
	01326.0000	4	Screw, Truss Head #10-32 x .25"
4	11707.0055*	4	Tube, Silicone .25" ID x 16.5" (Order item 8)
5	26443.0001	4	Reducer, Hose
6	12422.0000	4	Clamp, Hose .47"/.54" ID
7	28526.0044	4	Tube, Silicone .312" ID x 1.75" (Order item 9)
8	11707.1000	-	Tube, Silicone .25" I.D. x 12"
	11707.1001	-	Tube, Silicone .25" I.D. x 36"
	11707.1002	-	Tube, Silicone .25" I.D. x 120"
9	28526.1001	-	Tube, Silicone .312" I.D. x 36"
	28526.1002	-	Tube, Silicone .312" I.D. x 60"
	28526.1003	-	Tube, Silicone .312" I.D. x 120"
10	45964.1000	-	Repair Kit, Dispense Valve (Includes Spring, Plunger, and Diaphragm)

] Not
Illustrated

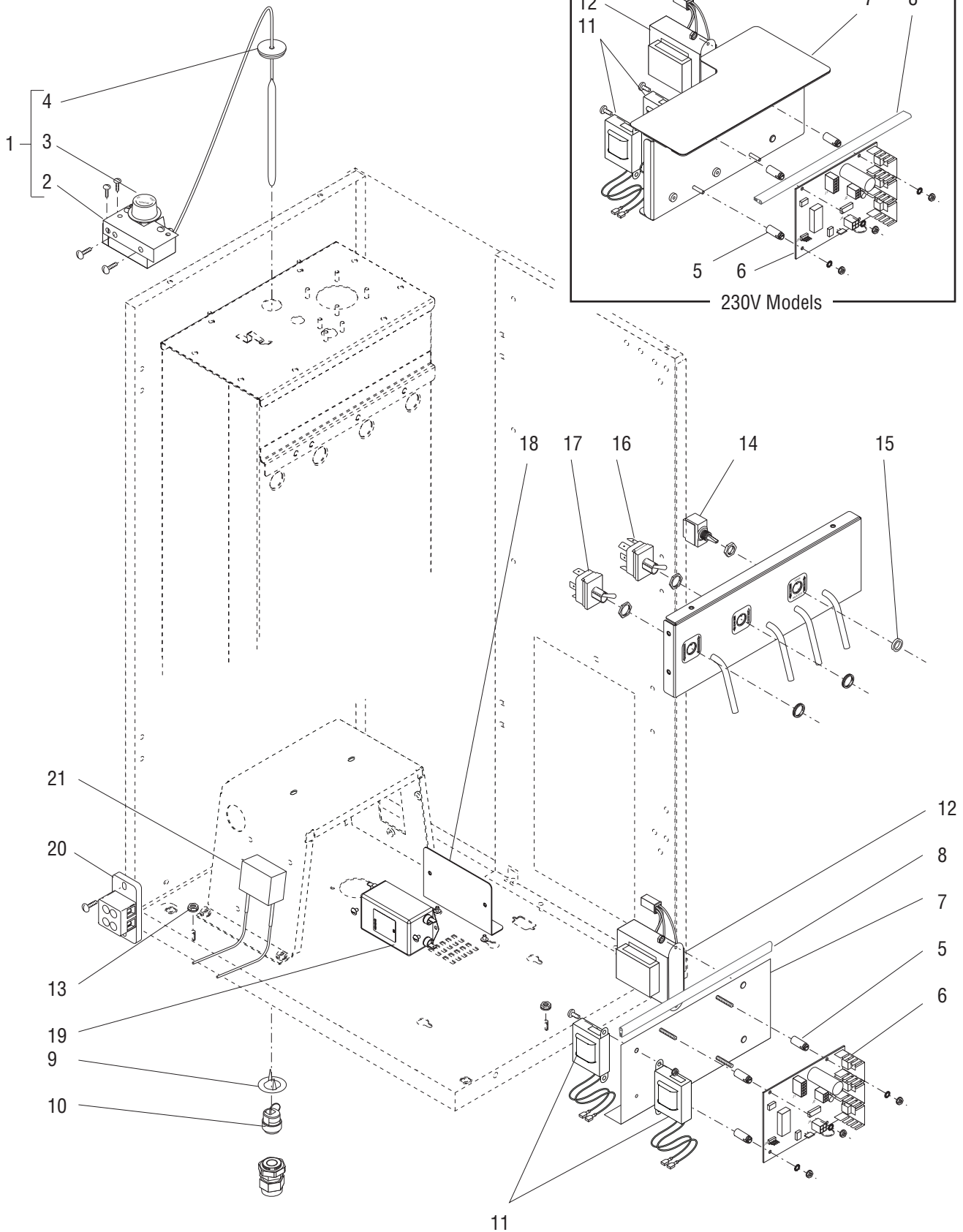
* Indicates the part number listed is for reference only. See DESCRIPTION for possible service replacement.



ELECTRICAL CONTROLS

ITEM	PART NO.	QTY.	DESCRIPTION
1	-----	1	Thermostat Assembly (Not available. Order item 22)
	01311.0000	2	Screw, Truss Head #8-32 x .25" (Mounting)
	20762.0000	2	Screw, Binding Head #8-32 x .25" (Terminal)
2	28224.0000	1	Bracket
	02301.0001	2	Screw, Pan Head #6-32 x .312"
3	00720.0000	1	Knob
4	07073.1000	1	Grommet
5	00450.0000	4	Spacer
6	42996.1000	1	Control Board Assy, Main
	01510.0000	4	Lockwasher, External-tooth #6
	00973.0000	4	Nut, Keps #6-32
7	28869.0000	1	Bracket, Component Mounting 120V
	28869.0003	1	Bracket, Component Mounting 230V
	01311.0001	2	Screw, Truss Head Locking #8-32 x .25"
8	02434.0006*	1	Gasket, U-Channel 9.0" (Order item 23)
9	00715.0000	1	Adapter Washer, Strain Relief 120V
10	00713.0000	1	Bushing, Strain Relief 120V
	05746.0000	1	Bushing, Strain Relief 230V
11	28327.0002	2	Ballast, 120V-60HZ W/Terminals
	39677.0000	2	Ballast, 230V-60HZ W/Terminals
	02308.0000	2	Screw, Pan Head #8-32 x .38"
	00970.0000	2	Nut, Keps #8-32
12	28860.0000	1	Transformer Assy, 120V to 24V
	28860.0001	1	Transformer Assy, 230V to 24V
	00973.0000	2	Nut, Keps #6-32
13	00970.0000	2	Nut, Ground Keps #8-32
14	23522.0000	1	Switch, Tank Heater
15	23697.0000	1	Facenut
16	28857.1000	1	Switch, Rinse/Run
17	28856.1000	1	Switch, Increase/Decrease
18	46252.0000	1	Bracket, EMI Filter Mounting 230V
	01311.0001	2	Screw, Truss Head Locking #8-32 x .25"
19	36801.0001	1	EMI Filter 230V
	01311.0001	2	Screw, Truss Head Locking #8-32 x .25"
20	01106.0003	1	Terminal Block 230V
	01317.0000	2	Screw, Truss Head #8-32 x .50"
21	34808.0006	1	Capacitor 230V
The following items are not illustrated			
22	20630.0008	1	Cord Assembly, Power 120V
	28680.0001	1	Cord Assembly, Power 230V

* Indicates the part number listed is for reference only. See DESCRIPTION for possible service replacement.



ELECTRICAL CONTROLS

ITEM	PART NO.	QTY.	DESCRIPTION
23	39014.0001	1	Wiring Harness, Main 120V (Doors with Flourescent Lighting)
	39014.0002	1	Wiring Harness, Main 230V (Doors with Flourescent Lighting)
	39014.0011	1	Wiring Harness, Main 120V (Doors with LED Lighting)
	39014.0012	1	Wiring Harness, Main 230V (Doors with LED Lighting)
	01511.0000	1	Lockwasher, External-tooth #8
	00908.0000	1	Nut, Hex #8-32 (Grounding)
24	45034.0000	1	Wiring Harness, Hot Water Valve
25	37842.0000	1	Wiring Harness, T-block to EMI Filter 230V
26	37998.0000	1	Lead, Limit to Tank Heater 230V
25	00604.0000	1	Clamp, Cable
22	40791.1006	-	Thermostat Kit (Includes items 1 - 4)
23	02434.1000	-	Gasket, U-Channel - 18" LG
	02434.1001	-	Gasket, U-Channel - 36" LG

* Indicates the part number listed is for reference only. See DESCRIPTION for possible service replacement.

NUMERICAL INDEX

PART NO.	PAGE NO.	PART NO.	PAGE NO.	PART NO.	PAGE NO.	PART NO.	PAGE NO.
00450.0000.....	21	12422.0001.....	15	32806.0000.....	9	37881.0000.....	5
00604.0000.....	23	12422.0005.....	15	32807.0001.....	9	37970.0000.....	19
00656.0001.....	7	12517.0001.....	9	33111.1001.....	9	37998.0000.....	23
00669.0004.....	9	13255.0003.....	7	34392.0000.....	15	38451.0000.....	9
00707.0001.....	11	20203.0100.....	15	34572.0000.....	17	38499.0000.....	9
00713.0000.....	21	20630.0008.....	21	34765.0000.....	17	38948.0000.....	17
00715.0000.....	21	20762.0000.....	21	34808.0006.....	21	39013.0002.....	11
00720.0000.....	21	20936.1000.....	15	35260.0000.....	11,13	39013.0012.....	11
00824.0002.....	7	20960.0000.....	13	35912.1012.....	5	39014.0001.....	23
00908.0000.....	15,17,23	20976.0017.....	17	35912.1014.....	5	39014.0002.....	23
00946.0000.....	15	20976.0055.....	17	35926.0000.....	5	39014.0011.....	23
00970.0000.....	15,17,21	20976.0056.....	15	35937.0003.....	15	39014.0012.....	23
00973.0000.....	21	20976.1000.....	17	35940.0002.....	15	39016.0003.....	9
00986.0000.....	7	20976.1001.....	17	35942.0001.....	17	39027.0001.....	5
00991.0002.....	13	20976.1002.....	17	35946.0002.....	17	39027.0002.....	5
01106.0003.....	21	21801.0015.....	15	36220.0000.....	15	39027.0011.....	5
01308.0002.....	11	23522.0000.....	21	36226.0000.....	15	39027.0012.....	5
01311.0000.....	5,9,13,21	23697.0000.....	21	36229.0005.....	7	39285.1001.....	19
01311.0001.....	5,7,9,21	24733.0011.....	19	36230.0005.....	5	39285.1002.....	19
01311.0003.....	5,7	25743.0000.....	13	36233.1000.....	17	39442.0000.....	13
01317.0000.....	21	26401.0000.....	13	36233.1001.....	17	39677.0000.....	21
01317.0003.....	5	26443.0001.....	19	36244.0000.....	9	40032.0000.....	9
01326.0000.....	19	26523.0000.....	5	36378.0001.....	17	40791.1006.....	23
01326.0002.....	13	26524.0000.....	5	36653.0001.....	13	41244.0000.....	11
01360.0002.....	9,11	26528.0000.....	5	36659.0003.....	9	41259.0003.....	15
01382.0002.....	5	26537.0043.....	11	36734.0001.....	9	41266.0000.....	15
01501.0000.....	15	26940.0002.....	13	36740.1000.....	15	41280.0001.....	15
01510.0000.....	21	28067.0000.....	13	36741.1000.....	15	41564.0000.....	9
01511.0000.....	23	28224.0000.....	21	36770.0000.....	13	41577.0001.....	5
01526.0001.....	5	28267.0000.....	5	36773.0000.....	13	41921.0000.....	9
01592.0001.....	17	28268.0000.....	5	36774.0000.....	13	41923.0000.....	9
02301.0001.....	21	28296.0002.....	9	36801.0001.....	21	42593.0000.....	11
02308.0000.....	21	28327.0002.....	21	36887.0003.....	11	42596.0001.....	11
02336.0000.....	9	28335.0000.....	9	36896.0000.....	7	42598.1000.....	5
02367.0002.....	11	28368.0004.....	5	36958.1001.....	5	42609.0000.....	11
02434.0005.....	11	28526.0043.....	15	36961.1001.....	7	42687.0000.....	9
02434.0006.....	21	28526.0044.....	19	36963.0000.....	7	42996.1000.....	21
02434.1000.....	11,23	28526.1000.....	17	36967.0006.....	5	43514.0001.....	9
02434.1001.....	11,23	28526.1001.....	17,19	36968.0001.....	5	43644.0000.....	17
02536.0000.....	15	28526.1002.....	17,19	36970.0000.....	13	44095.0000.....	9
03633.0000.....	15	28526.1003.....	17,19	37010.1006.....	13	44224.0000.....	9
03803.0002.....	15	28680.0001.....	21	37011.0001.....	13	44266.1000.....	13
03807.0000.....	15	28856.1000.....	21	37037.0001.....	13	44876.0000.....	17
03996.0000.....	5	28857.1000.....	21	37096.0007.....	9	44885.0000.....	5
04797.0000.....	15	28860.0000.....	21	37098.1004.....	15	44920.0000.....	5
05515.0000.....	15	28860.0001.....	21	37099.0000.....	17	44940.0000.....	9
05746.0000.....	21	28869.0000.....	21	37254.0003.....	9	45034.0000.....	23
07073.1000.....	21	28869.0003.....	21	37297.0006.....	17	45964.1000.....	19
11630.0001.....	15	28872.0000.....	5	37456.0000.....	9	46252.0000.....	21
11707.0055.....	19	29081.0005.....	11	37456.0001.....	9	46278.0001.....	11
11707.1000.....	19	29216.0005.....	5	37457.0010.....	9	48005.0001.....	11
11707.1001.....	19	29329.1000.....	15	37466.0003.....	9	M2522.0000.....	11
11707.1002.....	19	32283.0000.....	17	37498.1003.....	5		
12398.0000.....	15	32337.0000.....	13	37539.1000.....	13		
12422.0000.....	19	32386.0001.....	13	37842.0000.....	23		