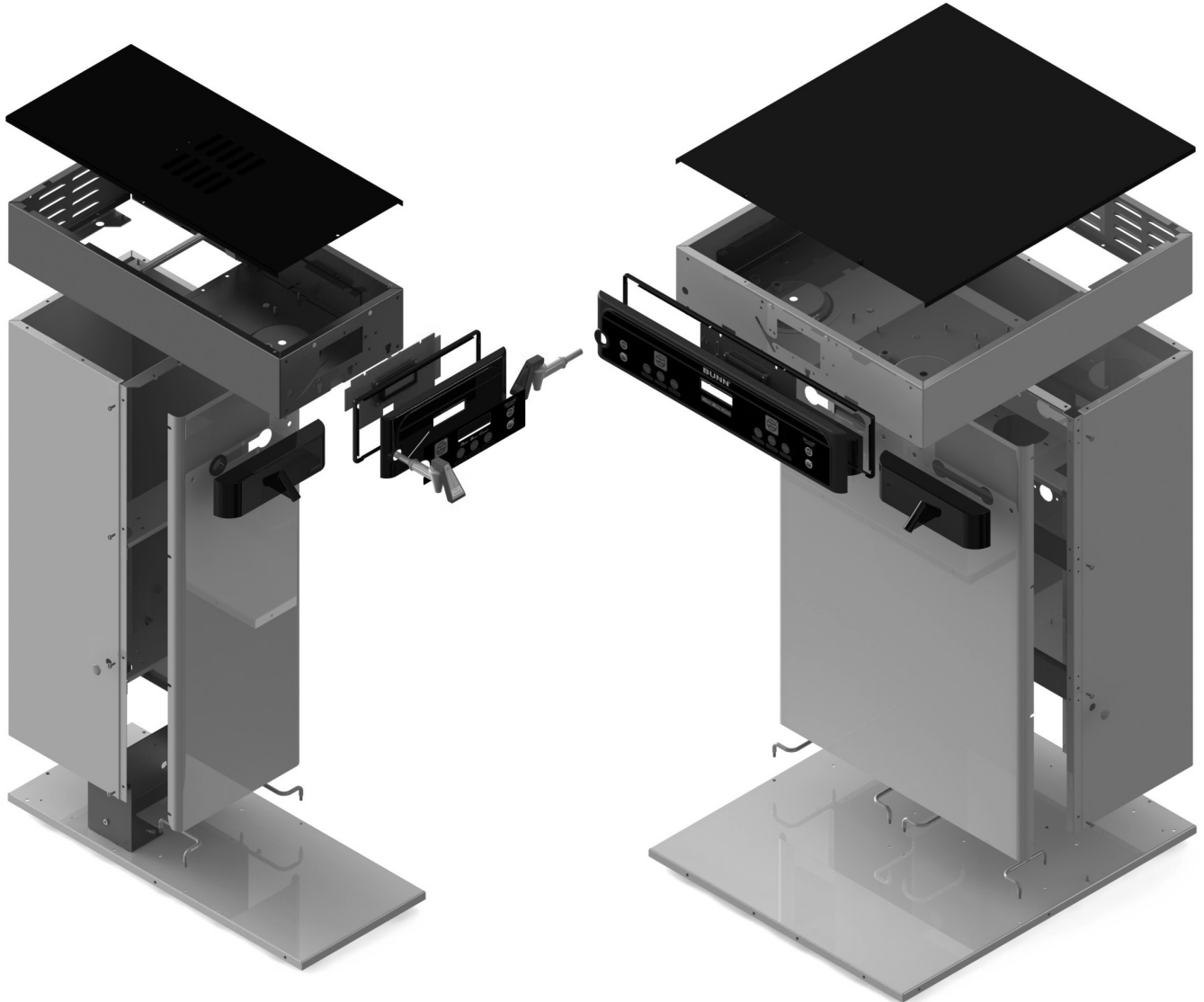


BUNN®

*ITCB-DV HV
ITCB TWIN HV
Infusion Series®*



ILLUSTRATED PARTS CATALOG

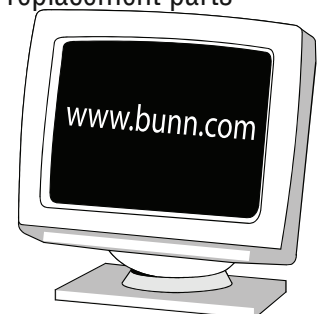
Designs, materials, weights, specifications, and dimensions for equipment or replacement parts are subject to change without notice.

BUNN-O-MATIC CORPORATION

POST OFFICE BOX 3227

SPRINGFIELD, ILLINOIS 62708-3227

PHONE: (217) 529-6601 FAX: (217) 529-6644



BUNN-O-MATIC COMMERCIAL PRODUCT WARRANTY

Bunn-O-Matic Corp. ("BUNN") warrants equipment manufactured by it as follows:

- 1) Airpots, thermal carafes, decanters, GPR servers, iced tea/coffee dispensers, MCR/MCP/MCA single cup brewers, thermal servers and ThermoFresh® servers (mechanical and digital) 1 year parts and 1 year labor.
- 2) All other equipment - 2 years parts and 1 year labor plus added warranties as specified below:
 - a) Electronic circuit and/or control boards - parts and labor for 3 years.
 - b) Compressors on refrigeration equipment - 5 years parts and 1 year labor.
 - c) Grinding burrs on coffee grinding equipment to grind coffee to meet original factory screen sieve analysis - parts and labor for 4 years or 40,000 pounds of coffee, whichever comes first.

These warranty periods run from the date of installation BUNN warrants that the equipment manufactured by it will be commercially free of defects in material and workmanship existing at the time of manufacture and appearing within the applicable warranty period. This warranty does not apply to any equipment, component or part that was not manufactured by BUNN or that, in BUNN's judgment, has been affected by misuse, neglect, alteration, improper installation or operation, improper maintenance or repair, non periodic cleaning and descaling, equipment failures related to poor water quality, damage or casualty. In addition, the warranty does not apply to replacement of items subject to normal use including but not limited to user replaceable parts such as seals and gaskets. This warranty is conditioned on the Buyer 1) giving BUNN prompt notice of

any claim to be made under this warranty by telephone at (217) 529-6601 or by writing to Post Office Box 3227, Springfield, Illinois 62708-3227; 2) if requested by BUNN, shipping the defective equipment prepaid to an authorized BUNN service location; and 3) receiving prior authorization from BUNN that the defective equipment is under warranty.

THE FOREGOING WARRANTY IS EXCLUSIVE AND IS IN LIEU OF ANY OTHER WARRANTY, WRITTEN OR ORAL, EXPRESS OR IMPLIED, INCLUDING, BUT NOT LIMITED TO, ANY IMPLIED WARRANTY OF EITHER MERCHANTABILITY OR FITNESS FOR A PARTICULAR PURPOSE. The agents, dealers or employees of BUNN are not authorized to make modifications to this warranty or to make additional warranties that are binding on BUNN. Accordingly, statements by such individuals, whether oral or written, do not constitute warranties and should not be relied upon.

If BUNN determines in its sole discretion that the equipment does not conform to the warranty, BUNN, at its exclusive option while the equipment is under warranty, shall either 1) provide at no charge replacement parts and/or labor (during the applicable parts and labor warranty periods specified above) to repair the defective components, provided that this repair is done by a BUNN Authorized Service Representative; or 2) shall replace the equipment or refund the purchase price for the equipment.

THE BUYER'S REMEDY AGAINST BUNN FOR THE BREACH OF ANY OBLIGATION ARISING OUT OF THE SALE OF THIS EQUIPMENT, WHETHER DERIVED FROM WARRANTY OR OTHERWISE, SHALL BE LIMITED, AT BUNN'S SOLE OPTION AS SPECIFIED HEREIN, TO REPAIR, REPLACEMENT OR REFUND.

In no event shall BUNN be liable for any other damage or loss, including, but not limited to, lost profits, lost sales, loss of use of equipment, claims of Buyer's customers, cost of capital, cost of down time, cost of substitute equipment, facilities or services, or any other special, incidental or consequential damages.

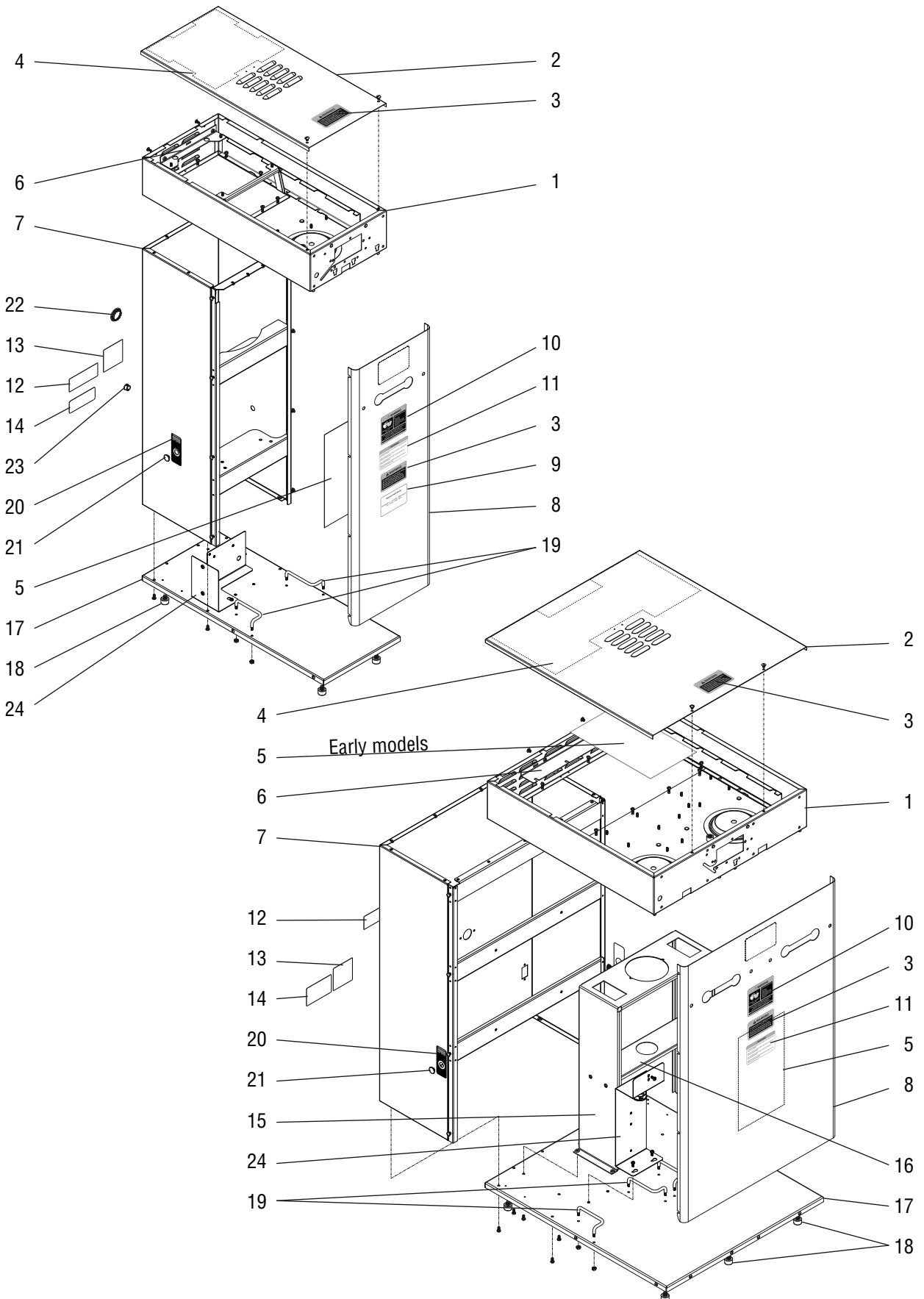
392, A Partner You Can Count On, Air Infusion, AutoPOD, AXIOM, BrewLOGIC, BrewMETER, Brew Better Not Bitter, BrewWISE, BrewWIZARD, BUNN Espresso, BUNN Family Gourmet, BUNN Gourmet, BUNN Pour-O-Matic, BUNN, BUNN with the stylized red line, BUNNlink, Bunn-O-Matic, Bunn-O-Matic, BUNNserve, BUNNSERVE with the stylized wrench design, Cool Froth, DBC, Dr. Brew stylized Dr. design, Dual, Easy Pour, EasyClear, EasyGard, FlavorGard, Gourmet Ice, Gourmet Juice, High Intensity, iMIX, Infusion Series, Intellisteam, My Café, Phase Brew, PowerLogic, Quality Beverage Equipment Worldwide, Respect Earth, Respect Earth with the stylized leaf and coffee cherry design, Safety-Fresh, savemycoffee.com, Scale-Pro, Silver Series, Single, Smart Funnel, Smart Hopper, SmartWAVE, Soft Heat, SplashGard, The Mark of Quality in Beverage Equipment Worldwide, ThermoFresh, Titan, trifacta, TRIFECTA (stylized logo), Velocity Brew, Air Brew, Beverage Bar Creator, Beverage Profit Calculator, Brew better, not bitter., Build-A-Drink, BUNNSource, Coffee At Its Best, Cyclonic Heating System, Daypart, Digital Brewer Control, Element, Milk Texturing Fusion, Nothing Brews Like a BUNN, Picture Prompted Cleaning, Pouring Profits, Signature Series, Sure Tamp, Tea At Its Best, The Horizontal Red Line, Ultra are either trademarks or registered trademarks of Bunn-O-Matic Corporation. The commercial trifacta® brewer housing configuration is a trademark of Bunn-O-Matic Corporation.

TABLE OF CONTENTS

COVERS AND PANELS	4
TANK AND COMPONENTS	6
TANK FILL/DRAIN AND DILUTION	8
DISPENSE/BYPASS VALVES, SPRAYHEAD, & FAUCET	10
ELECTRICAL AND OPERATING CONTROLS	14
FUNNELS	18
NUMERICAL INDEX	20

To order coffee filters, water filters, or other accessories, refer to Specification Sheets at www.bunn.com

Fraction	Decimal		Fraction	Decimal
1/16	0.063		9/16	0.563
1/8	0.125		5/8	0.625
3/16	0.188		11/16	0.688
1/4	0.250		3/4	0.750
5/16	0.313		13/16	0.813
3/8	0.375		7/8	0.875
7/16	0.438		15/16	0.938
1/2	0.500		1	1.000

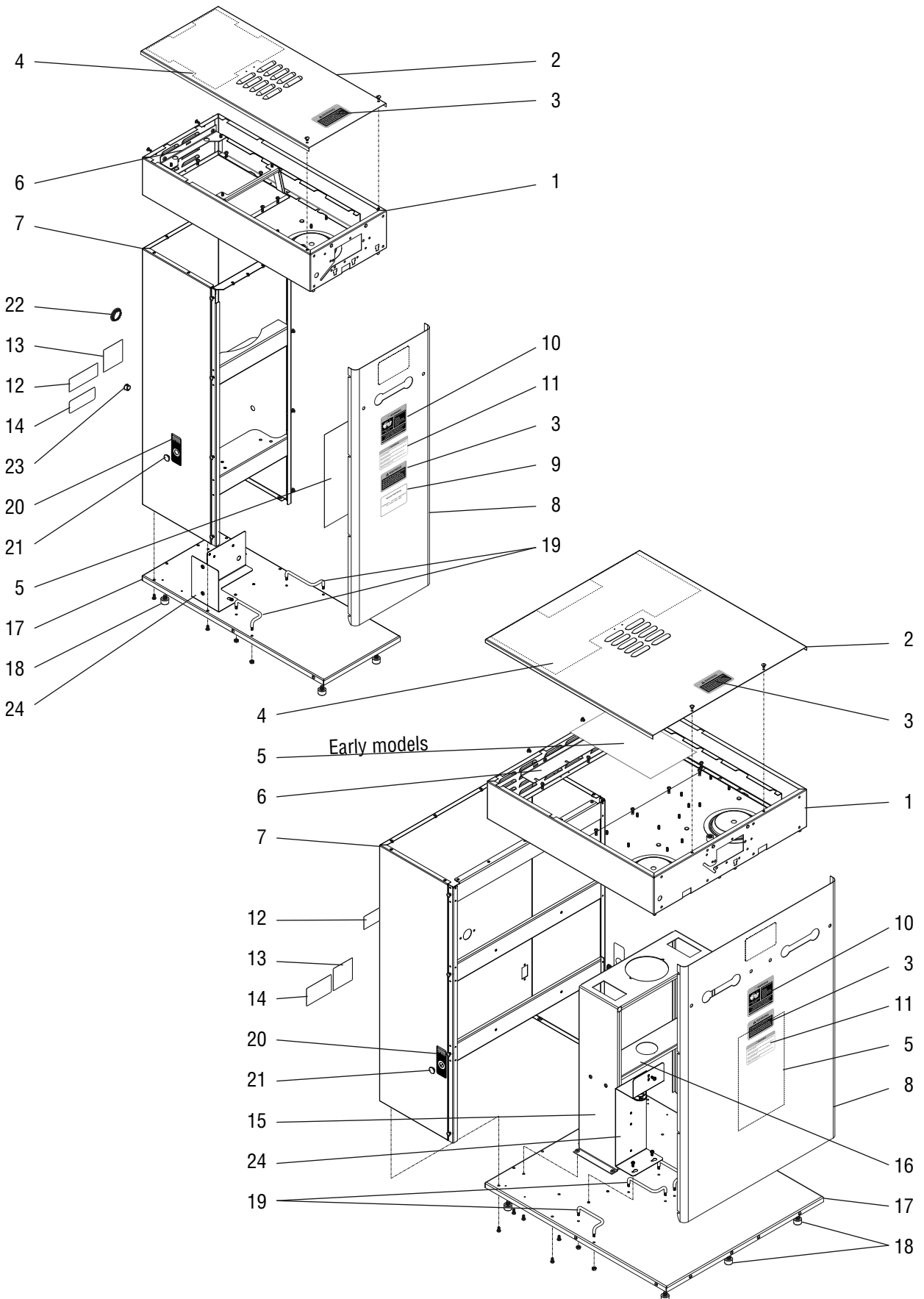


* Indicates the part number listed is for reference only

COVERS AND PANELS

ITEM	PART NO.	QTY. TWIN	QTY. SINGLE	DESCRIPTION
1	36639.0013	-	1	Hood, SST - Single
	37920.0109	1	-	Hood, SST - Twin
	02308.0000	20	10	Screw, Pan Head #8-32 x .375"
2	36355.1009	-	1	Cover, Top Single (Includes 3, 4) (1 Screw)
	36355.1021	-	1	Cover, Top Single (Includes 3, 4) (2 Screws) (Shown)
	37870.1006	1	-	Cover, Top Twin (Includes 3, 4)
	01308.0003	2	1	Screw, Truss Head BLK #6-32 x .25"
3	37881.0000	2	2	Decal, No Serviceable Parts
4	25151.0002	-	1	Shield, Insulator
	25151.0003	1	-	Shield, Insulator
5	43828.0000	-	1	Schematic, DV
	43828.0002	-	1	Schematic, DV (w/Triacs)
	44145.0000	1	-	Schematic, Twin
	44145.0001	1	-	Schematic, Twin (w/Triacs)
6	36608.0001	-	1	Bracket, Upper Tank Support, Single
	01317.0003	-	2	Screw, Truss Head #8-32 x .375"
	37967.0000	1	-	Bracket, Upper Tank Support, Twin
	01308.0002	2	-	Screw, Truss Head #6-32 x .25"
7	39453.1007	-	1	Trunk, Single 29.0" SST (Includes 12-14) for side use w/side faucet
	39455.1005	1	-	Trunk, Twin SST 29" (w/Side Faucet) (Includes 12-14)
	02308.0000	10	8	Screw #8-32 x .375"
8	39450.1001	-	1	Panel, Front Single (Includes 3, 9-11)
	39541.1003	1	-	Panel, Front, Twin (Includes 3, 10, 11)
	01311.0001	8	8	Screw, Truss Head, Locking #8-32 x .25" (SST)
9	29710.0011	-	1	Decal, Optional Field Wiring (ICB-DV Only)
10	00658.0000	1	1	Decal, Warning-Decanter/Funnel
11	39175.0000	1	1	Decal, Warning Overlay Graphic
12	00656.0001	1	1	Decal, Compliance To Plumbing Code
13	00986.0000	1	1	Decal, Warning-Electrical
14	34072.0000	-	1	Decal, Power Cord Warning Single
	38125.0000	1	-	Decal, Warning-Plug (125/250V) Twin
15	39596.0001	1	-	Lower Tank Support (Twin)
	02308.0000	4	4	Screw #8-32 X .375"
16	39599.0000	1	-	Bracket, Tank Support (Twin)
	02308.0000	4	-	Screw #8-32 x .375"
17	39615.0001	-	1	Base, Single
	39615.0003	-	1	Base, Single (w/Triacs)
	39594.0003	1	-	Base, Twin
	39594.0005	1	-	Base, Twin (w/Triacs)
	01317.0003	8	4	Screw, Truss Head #8-32 x .375" Sides of Bases (For future use)
18	25137.0001	6	4	Foot

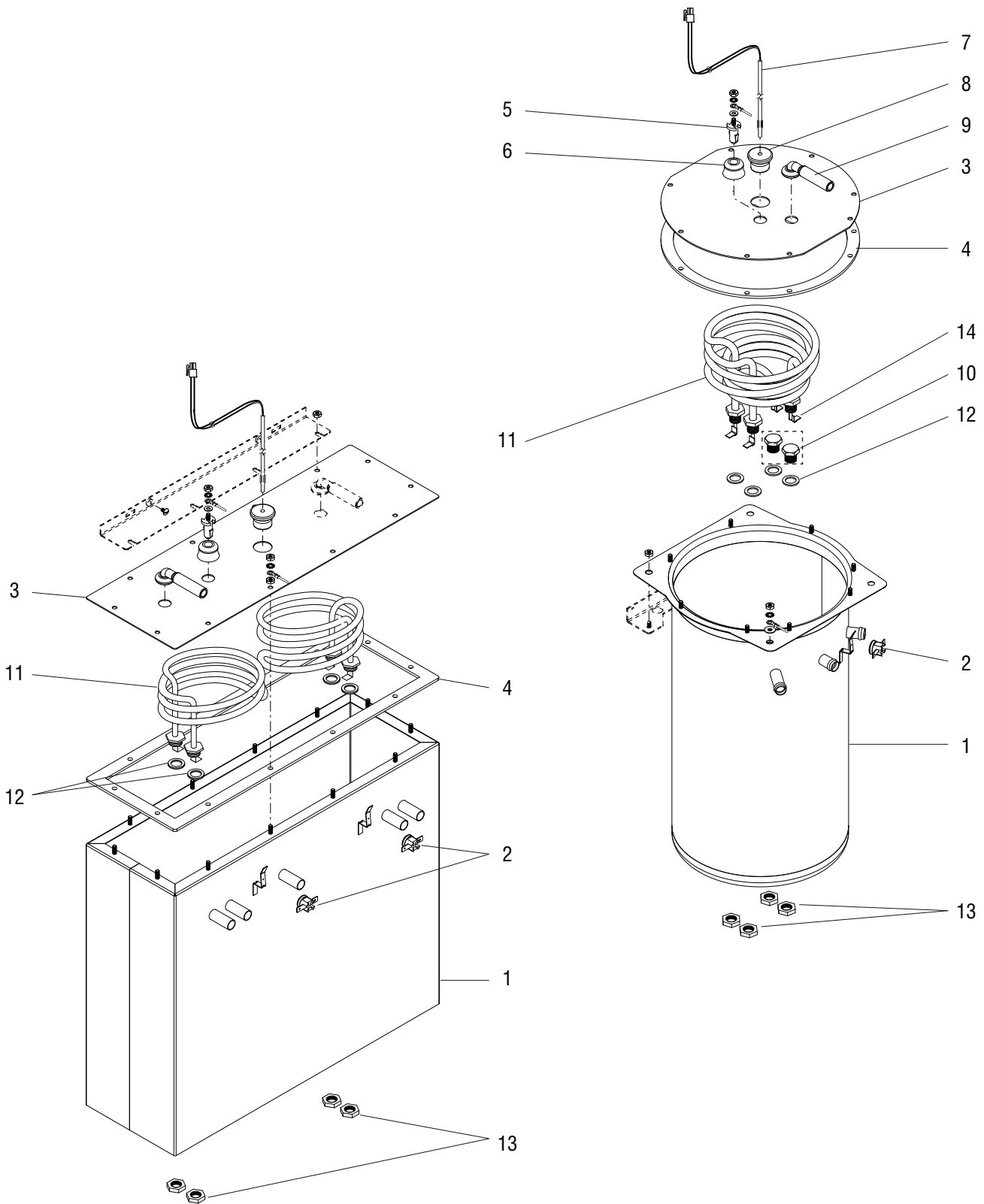
Continued on next page



COVERS AND PANELS

ITEM	PART NO.	QTY.		DESCRIPTION
		TWIN	SINGLE	
19	43820.0000	2	1	Rail, Left
	43820.0001	2	1	Rail, Right
	00970.0000	8	4	Nut, Keps #8-32
20	29007.0000	2	2	Decal, Hot Water
21	00619.0007	2	2	Plug, Hole .50" Dia.
22	00619.0005	-	1	Plug, Hole .062" Dia.
23	00669.0002	-	1	Plug, Hole-Nyl Blk .50" Dia
24	47384.0001	-	1	Bracket, Heatsink (Single)
	47562.0001	1	-	Bracket, Heatsink (Twin)
	02308.0000	3	2	Screw, Pan Head #8-32 x .375"
	01592.0001	1	-	Bushing, Snap In 1.188" (Twin Only)

* Indicates the part number listed is for reference only.



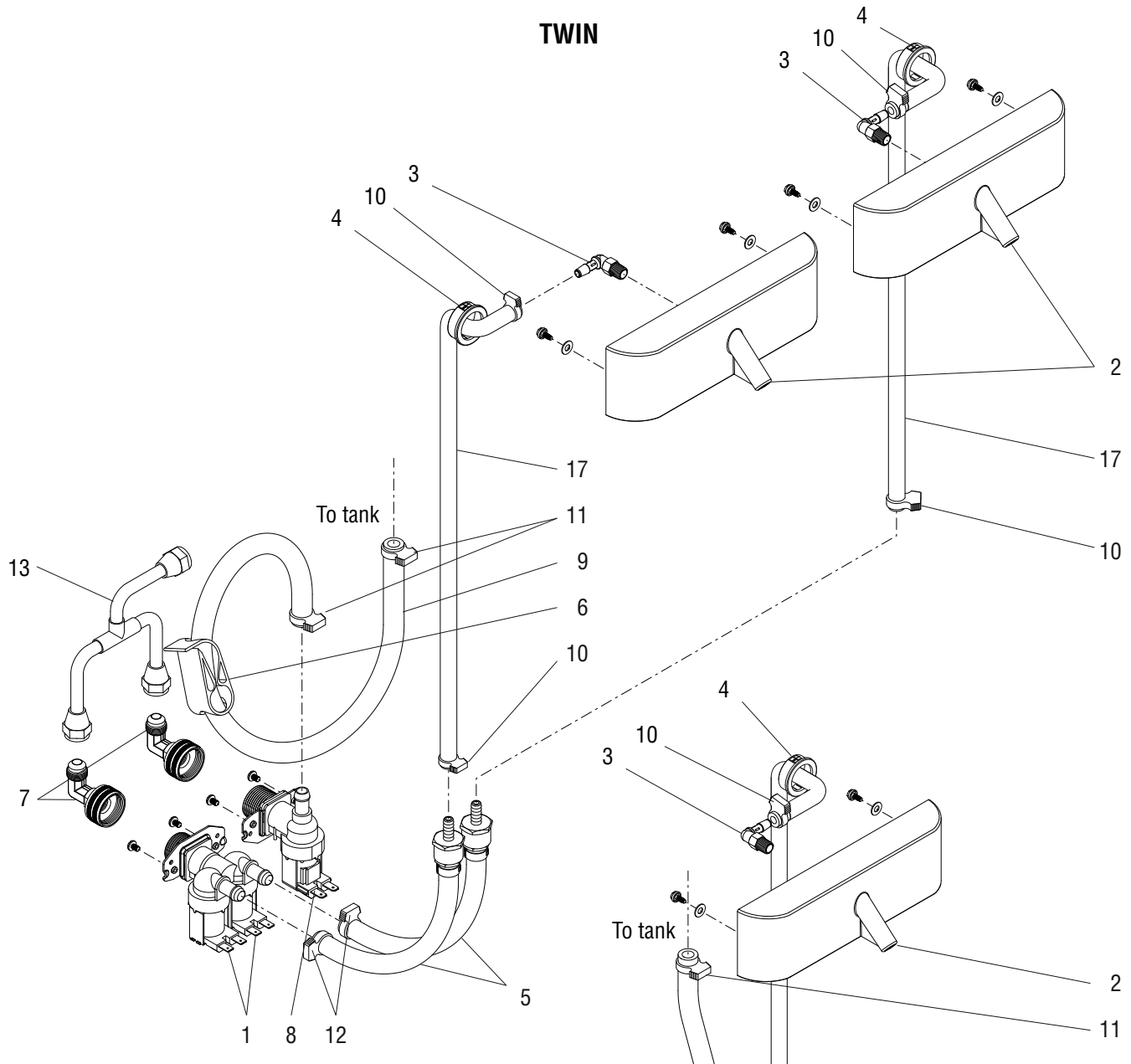
TANK AND COMPONENTS

ITEM	PART NO.	QTY. TWIN	QTY. SINGLE	DESCRIPTION	
1	36604.0000	-	1	Tank, Single	
	37782.0004	1	-	Tank, Twin	
	00908.0000	-	4	Nut, #8-32	
	01522.0000	-	1	Flat Washer	} — Ground circuit for liquid level probe - Singles
	01511.0000	-	1	Lockwasher, Ext. Tooth #8	
2	29329.1000	2	1	Thermostat, Limit	
3	36606.0001	-	1	Tank Lid, Single	
	37776.0005	1	-	Tank Lid, Twin	
	00908.0000	12	8	Nut, #8-32	} — Ground circuit for liquid level probe - Twins
	01511.0000	2	1	Lockwasher, Ext. Tooth #8	
4	36605.0000	-	1	Gasket, Tank Lid (Single)	
	35937.0002	1	-	Gasket, Tank Lid (Twin)	
5	07412.1002	1	1	Probe Kit, Liquid Level	} — Included in kit
	01501.0000	1	1	Flat Washer	
	20203.0100	1	1	Lockwasher, Int. Tooth #8	
	00908.0000	1	1	Nut, #8-32	
6	38114.0000	1	1	Grommet, Liquid Level Probe	
7	39085.1001	1	1	Probe, Temperature Sensor	
8	33801.0003	1	1	Grommet, Temperature Sensor	
9	38969.0001	1	1	Fitting, 90° Silicone (Newer Twins use one on left side only)	
10	00486.0003	-	2	Plug (Non DV Single)	
11	29485.1001	-	1	Tank Heater 2268W, 120V (Includes item 12) Single DV (Outer)	
	29485.1006	2	-	Tank Heater 3000W, 240V (Includes item 12) Twin	
	29485.1007	2	-	Tank Heater 3000W, 208V (Includes item 12) Twin	
12	00943.0000	4	4	Gasket, Tank Heater	
13	00942.0000	4	4	Nut, Brass .5"-20	
14	02755.1002	-	1	Tank Heater 1680W, 120V (Includes item 14) DV Only (Inner)	

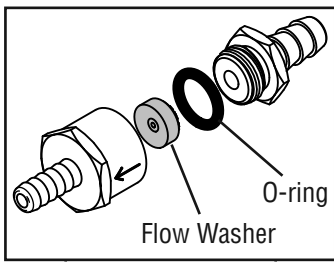
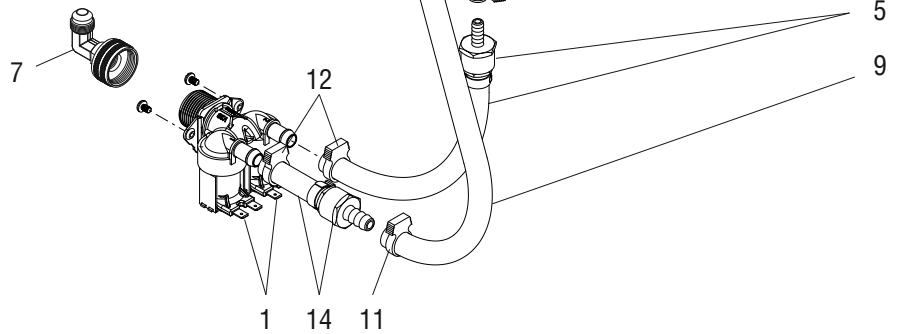
The following items are not illustrated

15	37298.1003	-	1	Tank Assembly DV
	37755.1002	1	-	Tank Assembly 3000W 240V (Twin)

TWIN



SINGLE



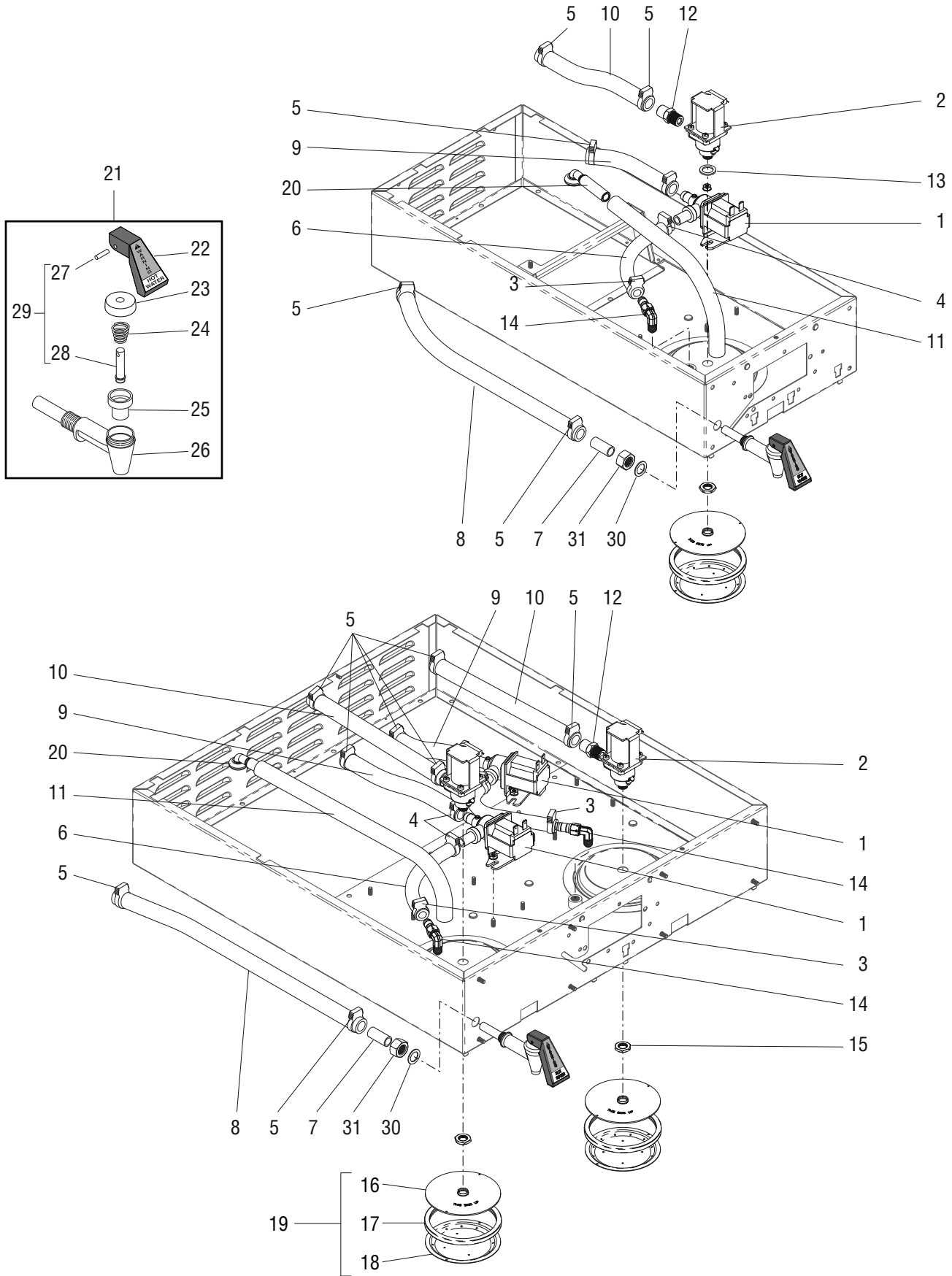
18

FILL AND DILUTION

ITEM	PART NO.	QTY. TWIN	QTY. SINGLE	DESCRIPTION
1	43041.0000	1	1	Valve, Water Inlet 120V (DOUBLE)
	32283.0000	2	2	Screw, Pan Head M4 x 6MM
	46884.0000	1	1	Strainer, Inlet
2	36360.1001	2	1	Nozzle, Dilution (Includes Elbow)
	02332.0005	4	2	Screw, Hex #6 x .375"
	28614.0000	4	2	Washer, Washer, .204ID x .438OD x .03 SST
3	40783.0000	2	1	Elbow
4	01592.0001	2	1	Bushing, Snap
5	41665.0001	-	1	Tube Assembly, Dilution .50GPM (SINGLE)
	41665.0000	2	-	Tube Assembly, Dilution .50GPM (TWIN)
6	11630.0001	1	1	Clamp
7	37297.1001	2	1	Elbow, .375" Flare x .75" FGHT
8	42025.0000	1	-	Valve, Water Inlet 120V (SINGLE)
	32283.0000	2	-	Screw, Pan Head M4 x 6MM
	46884.0000	1	1	Strainer, Inlet
9	20976.0063*	-	1	Tube, Silicone .375" ID x 16.0" (order item 20) SINGLE
	20976.0067*	1	-	Tube, Silicone .375" ID x 21.0" (order item 20) TWIN
10	12422.0000	4	2	Clamp, Hose-Snap SNP # 6
11	12422.0001	2	2	Clamp, Hose-Snap SNP # 10
12	12422.0005	2	2	Clamp, Hose-Snap SNP # 12
13	44168.0000	1	-	Tube Assembly
14	41666.0005	-	1	Tube Assembly, Fill .75GPM (SINGLE)
15	20976.0074*	1	1	Tube, Silicone .375" ID x 20.0" (order item 20)
16	20976.0009*	-	1	Tube, Silicone .375" ID x 2.25" (order item 20)
	20976.0062*	1	-	Tube, Silicone .375" ID x 1.75" (order item 20)
17	11707.0012*	-	1	Tube, Silicone .25" ID x 23.0" (order item 19)
	11707.0040*	2	-	Tube, Silicone .25" ID x 35.0" (order item 19)
18	20526.2500	-	-	Repair Kit, Flow Control (Includes O-ring & .50 GPM flow washer)
	20526.2750	-	-	Repair Kit, Flow Control (Includes O-ring & .75 GPM flow washer)

The following items are not illustrated

19	11707.1000	-	-	Tubing .250" I.D. x .5" OD x 1 Foot
	11707.1001	-	-	Tubing .250" I.D. x .5" OD x 3 Feet
	11707.1002	-	-	Tubing .250" I.D. x .5" OD x 10 Feet
20	20976.1000	-	-	Tube, Silicone .375" ID x 12.0" (Use as required)
	20976.1001	-	-	Tube, Silicone .375" ID x 36.0" (Use as required)
	20976.1002	-	-	Tube, Silicone .375" ID x 120.0" (Use as required)

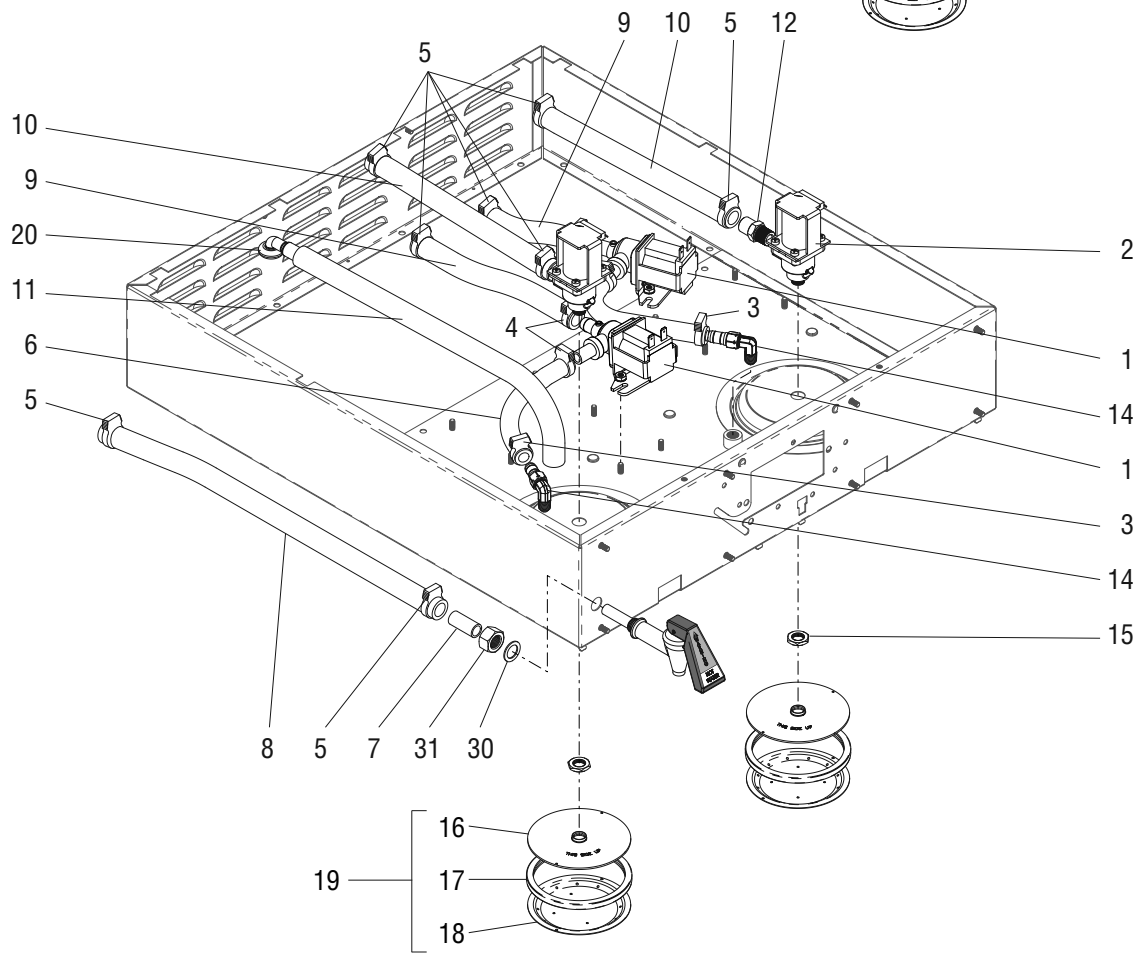
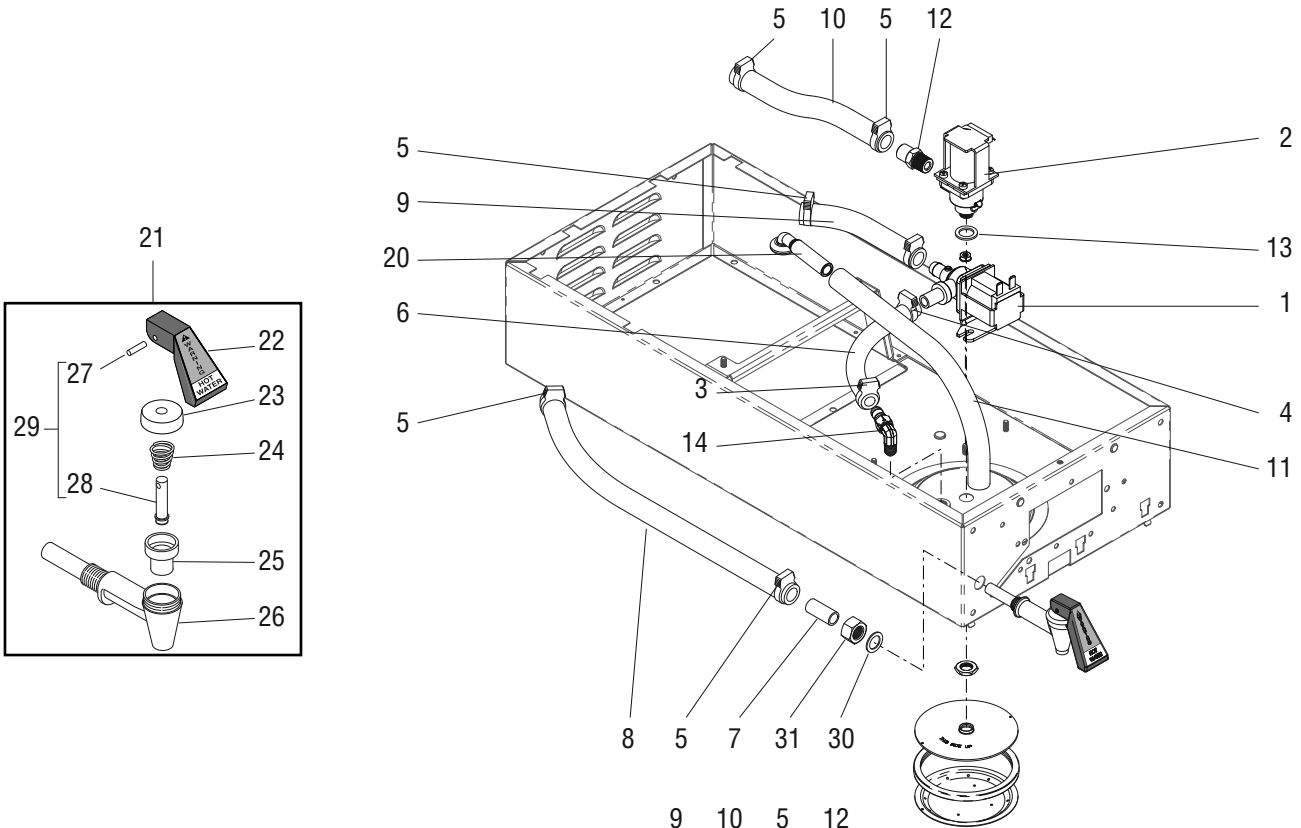


DISPENSE/BYPASS VALVES, SPRAYHEAD, & FAUCET

ITEM	PART NO.	QTY.		DESCRIPTION	
		TWIN	SINGLE		
1	27370.0003	4	1	Valve Assembly, Bypass 120V	} See item 32 for Repair Kit
	27370.0005	4	1	Valve Assembly, Bypass 230V	
	00970.0000	4	2	Nut, KEPS #8-32	
2	26846.0000	2	1	Valve Assembly, Sprayhead 120V	}
	26846.0001	2	1	Valve Assembly, Sprayhead 200V	
	00970.0000	-	2	Nut, KEPS #8-32	
3	12422.0001	2	1	Clamp, Hose-Snap SNP # 10	
4	12422.0005	4	2	Clamp, Hose-Snap SNP # 12	
5	12422.0009	8	5	Clamp, Hose-Snap SNP # 14	
6	20976.0051*	-	1	Tube .375" ID x 6.0" (Bypass to Elbow) (Order item 33)	
	20976.0045*	2	-	Tube .375" ID x 6.5" (Bypass to Elbow) (Order item 33)	
7	41193.0001*	1	1	Tube, Silicone .375" ID X 1.2" LG (Order item 35)	
8	32591.0043*	1	-	Tube .50" ID x 16.0" Faucet	}
	32591.0039*	-	1	Tube .50" ID x 13.5" Faucet	
9	32591.0032*	1	1	Tube .50" ID x 5.0" (Tank to Bypass) Single	} Order item 34
	32591.0013*	1	1	Tube .50" ID x 7.0" (Tank to Bypass) Twin Left	
	32591.0028*	1	-	Tube .50" ID x 4.0" (Tank to Bypass) Twin Right	
10	32591.0013*	-	1	Tube .50" ID x 7.0" (Tank to Brew Valve)	
	32591.0016*	2	-	Tube .50" ID x 9.0" (Tank to Brew Valve)	
11	32591.0040*	-	1	Tube .50" ID x 10.5" (Vent)	}
	32591.0031*	1	-	Tube .50" ID x 7.88" (Vent)	
12	34956.0003	2	-	Fitting, .25 NPTF .550D/.281ID	
	34956.0004	-	1	Fitting, .25 NPTF .550D/.255ID	
13	00943.0000	2	1	Gasket, Sprayhead Fitting	
14	32648.0000	2	1	Elbow Assy, .125 MPT x.35 Barb	
15	01075.0000	2	1	Nut, Hex .438"-20	
16	35070.0001	2	1	Back, Sprayhead	} 19
17	34868.0000	2	1	Seal	
18	34867.0005	2	1	Sprayhead, 17 hole	
19	35308.1005	2	1	Kit, Sprayhead (Includes items 16 - 18)	
20	38969.0001	2	1	Fitting, 90° Silicone	
21	29075.0000	1	1	Faucet Assy (Includes items 22 - 29)	
22	02861.0003	1	1	Handle, Red w/Warning	
23	02854.0000	1	1	Bonnet	
24	02595.0000	1	1	Spring	
25	02766.0000	1	1	Cup	

Continued on next page

* Indicates the part number listed is for reference only.



DISPENSE/BYPASS VALVES, SPRAYHEAD, AND FAUCET

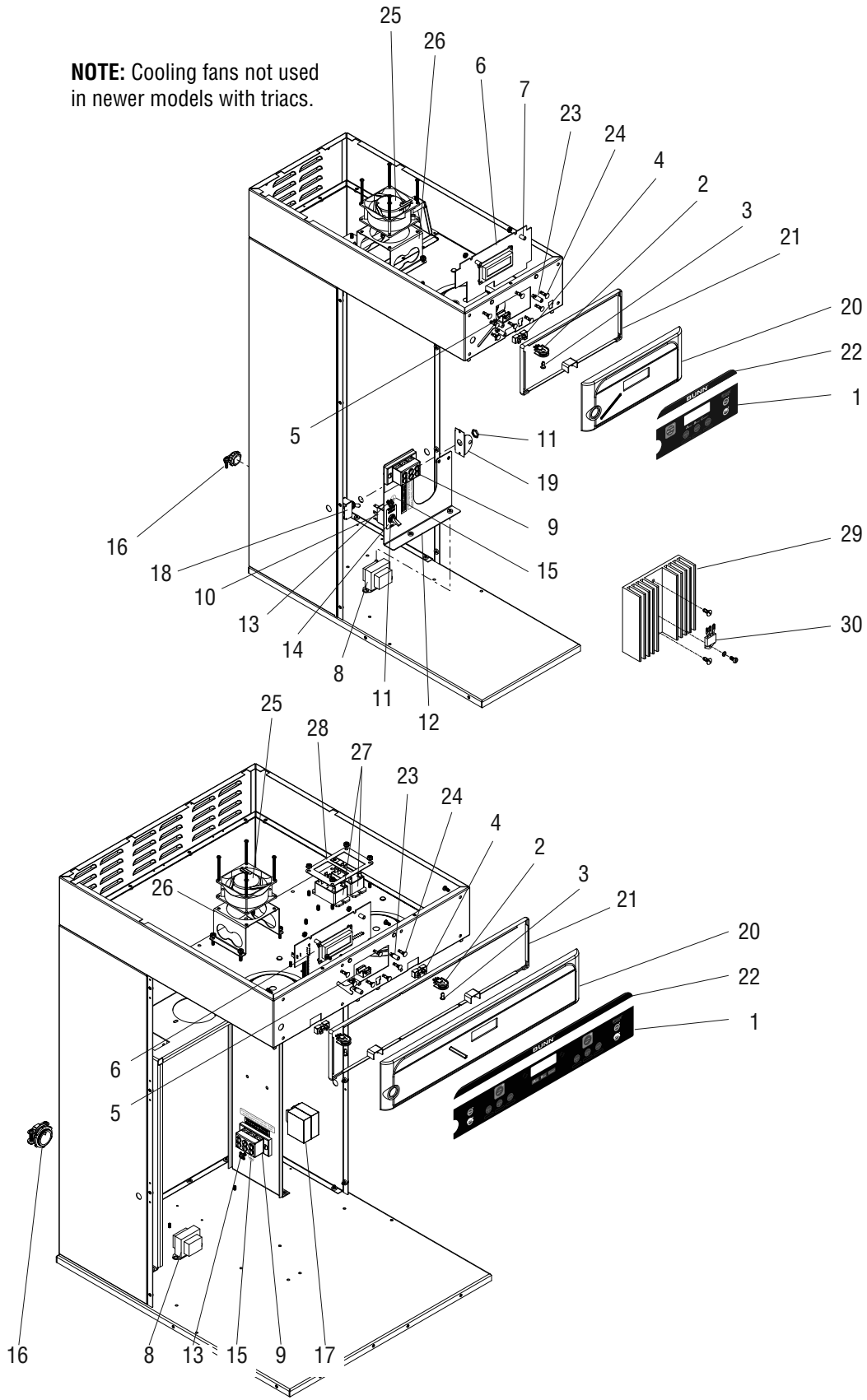
ITEM	PART NO.	QTY.	QTY.	DESCRIPTION
		TWIN	SINGLE	
26	02856.0005*	1	1	Body (Order item 21)
27	02858.0000	1	1	Pin, Spring
28	13054.0000	1	1	Stem
29	02594.0000	1	1	Faucet Stem w/Pin (Includes 29 & 30)
30	01544.0000	1	1	Washer, .50" ID x .75" OD
31	29264.0000	1	1	Nut

The following items are not illustrated

32	11517.0008	-	-	Repair Kit, Dispense Valve (Includes Plunger, Spring and Diaphragm)
33	20976.1000	-	-	Tube .375" ID x 1 Foot (Use as required)
	20976.1001	-	-	Tube .375" ID x 3 Feet (Use as required)
	20976.1002	-	-	Tube .375" ID x 10 Feet (Use as required)
	20976.1004	-	-	Tube .375" ID x 250 Feet (Use as required)
34	32591.1001	-	-	Tube .50" ID x 1 Foot (Use as required)
	32591.1002	-	-	Tube .50" ID x 3 Feet (Use as required)
	32591.1003	-	-	Tube .50" ID x 10 Feet (Use as required)
	32591.1004	-	-	Tube .50" ID x 250 Feet (Use as required)
35	41193.1000	-	-	Tube .375" ID x 10 Feet (Use as required)
	41193.1001	-	-	Tube .375" ID x 3 Feet (Use as required)
	41193.1002	-	-	Tube .375" ID x 1 Foot (Use as required)
	41193.1004	-	-	Tube .375" ID x 250 Feet (Use as required)

* Indicates the part number listed is for reference only.

NOTE: Cooling fans not used in newer models with triacs.



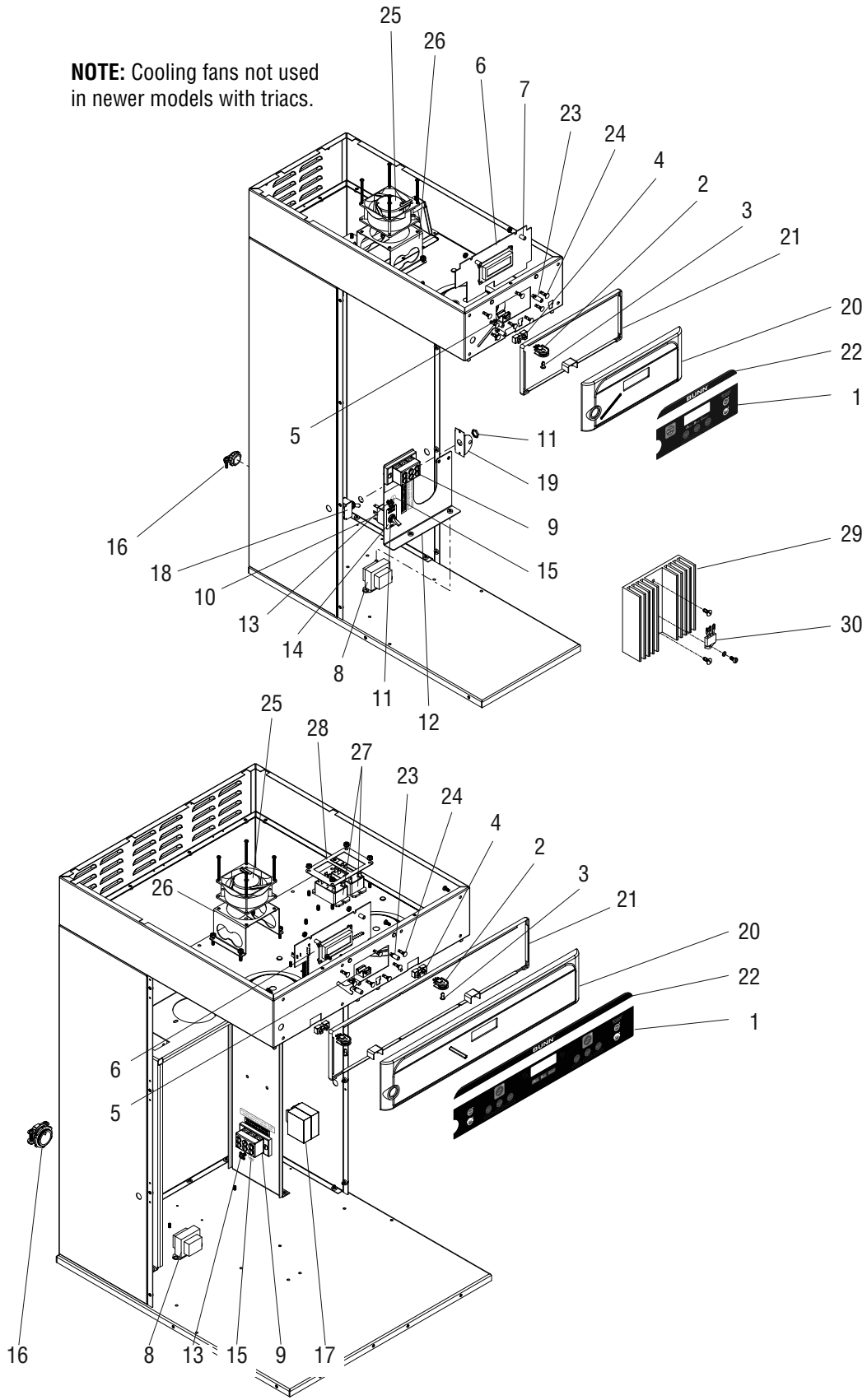
ELECTRICAL AND OPERATING CONTROLS

ITEM	PART NO.	QTY.		DESCRIPTION
		TWIN	SINGLE	
1	36367.0000	-	1	Membrane Switch
	37875.0000	1	-	Membrane Switch
2	32572.1000	2	1	Sensing Coil
3	35956.0000	2	1	Fastener
4	36587.0000	2	1	Plug
5	36366.0000	2	1	Mount
6	45787.1043	-	1	Control Board (Single) (RoHS)
	45787.1034	1	-	Control Board (Twin) (RoHS)
	00973.0000	2	-	Nut, Keps #6-32
	48443.0024	-	1	Retrofit CBA Kit (All early Singles)
	48444.0010	1	-	Retrofit CBA Kit (All early Twins)
7	01533.0011	2	2	Spacer
8	34307.1001	1	1	Transformer 120V
	34307.1002	1	1	Transformer 230V
	00970.0000	2	2	Nut, Keps #8-32
9	07038.0000	1	1	Terminal Block 120V/240V
	01106.0003	1	1	Terminal Block 230V
	01317.0000	2	2	Screw, Truss Head #8-32 x .50"
10	23522.1001	-	1	Switch, Toggle (ICB-DV models only)
11	23696.0000	-	1	Nut
12	38344.1101	-	1	Bracket W/Decals (DV models)
	02308.0000	-	2	Screw, Pan Head #8-32 x .38"
13	37804.0000	1	1	Screw, Grounding #8-32 x .50"
14	34056.0001	-	1	Decal, Voltage Selection (DV models only)
15	00824.0002	1	1	Decal, Ground
16	01685.0000	-	1	Cord Connector
	01590.0000	1	-	Cord Connector
17	38894.0001	1	1	Switch, Rocker - Main On/Off (Twin Only)
	01308.0002	2	2	Screw, Truss Head #6-32 x .25"
18	40763.0001	-	1	Switch, Toggle - Main On/Off (Single Only)
19	25102.0000	-	1	Bracket, Switch
20	37827.1001	1	-	Bezel, Control Panel
	36359.1001	-	1	Bezel, Control Panel
	37827.1101	1	-	Bezel Kit (Includes Membrane, Decal, Gasket, & Sensing Coil-Assembled)
	36359.1101	-	1	Bezel Kit (Includes Membrane, Decal, Gasket, & Sensing Coil-Assembled)
	02308.0000	8	4	Screw, Pan Head #8-32 x .375"
21	36364.0000	-	1	Gasket
	37874.0000	1	-	Gasket
22	37877.0000	1	-	Decal, Top
	36368.0000	-	1	Decal, Top

Continued on next page

* Indicates the part number listed is for reference only.

NOTE: Cooling fans not used in newer models with triacs.



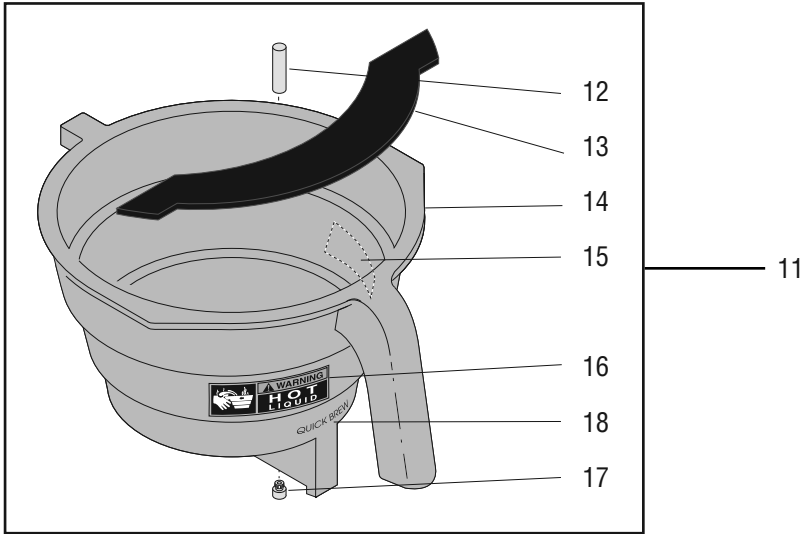
* Indicates the part number listed is for reference only

ELECTRICAL AND OPERATING CONTROLS

ITEM	PART NO.	QTY.		DESCRIPTION
		TWIN	SINGLE	
23	29081.0004	-	3	Spacer, Control Panel
	32530.0001	3	-	Spacer, Control Panel
24	42234.0000	7	8	Standoff (CBA)
25	44032.0000	1	1	Fan 120VAC
	02370.0002	4	4	Screw, Pan Head #6 - 32 x 2.0"
26	44029.0000	1	1	Bracket, Fan Mounting
	00970.0000	4	4	Nut, KEPS #8-32
27	44150.0000	2	-	Relays
28	44250.0000	1	-	Bracket, Relay Mounting
	00970.0000	4	4	Nut, KEPS #8-32
29	20541.0001	2	1	Heatsink
	01382.0007	4	2	Screw, 6-32 x .375
30	12565.0034	2	1	Triac, Replacement for all models (Order heat sink compound below)
	02328.0002	2	1	Screw, 6-32 x .188
	01520.0000	2	1	Lock Washer
	M2522.1000	-	-	Heat Sink Compound, 5oz Tube

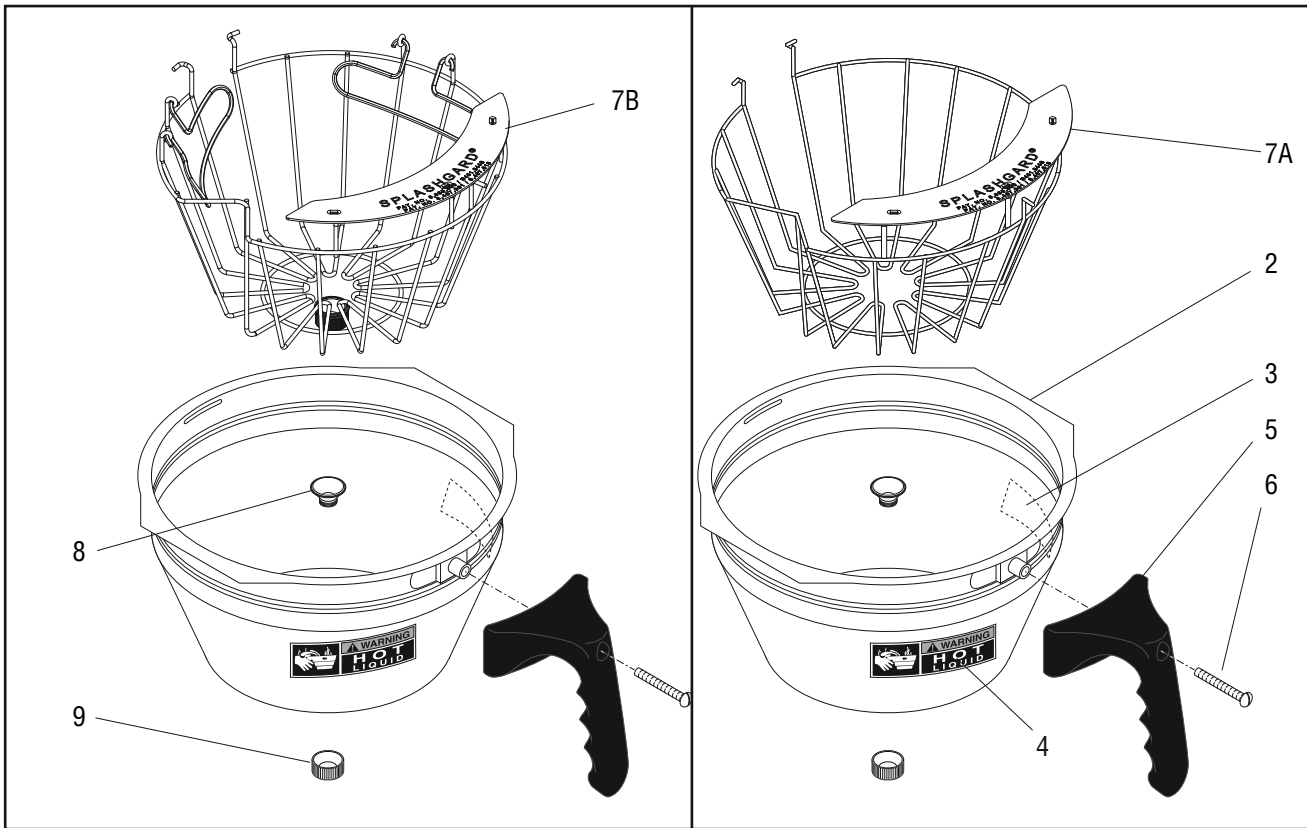
The following items are not illustrated

29	36677.0012	-	1	Wiring Harness, Main (DV)
	36677.0023	-	1	Wiring Harness, Main (DV) w/Triac
	38040.0007	1	-	Wiring Harness, Main (Twins)
	38040.0010	1	-	Wiring Harness, Main (Twins) w/Triac
30	36674.0002	-	1	Wiring Harness, Liquid Level (CBA to LLP)
	36674.0003	1	-	Wiring Harness, Liquid Level (CBA to LLP)
	36674.0007	1	-	Wiring Harness, Liquid Level (CBA to LLP) w/Triac
31	36675.0000	1	1	Wiring Harness, Sensing Coil (Left & Single)
	36675.0001	1	-	Wiring Harness, Sensing Coil (Right Side Only)
32	40081.0002	-	1	Wiring Harness, Toggle Switch to Term Black
33	44022.0000	1	1	Wiring Harness, Transformer to CBA
34	20630.0005	-	1	Power Cord (DV models only)



1B

1A



FUNNELS

ITEM	PART NO.	QTY. TWIN	QTY. SINGLE	DESCRIPTION
1A	32643.0000	2	1	Funnel Assy, SST (Includes Items 2 thru 9)
1B	32643.0010	2	1	Funnel Assy, SST w/Clips (Includes Items 2 thru 9)
2	24462.0002	2	1	Funnel Body W/Decals (Includes items 3 & 4)
3	03408.0004	2	1	Decal, Caution-Remove Funnel
4	03409.0004	2	1	Decal, Caution-Hot Liquid
5	32595.0000	2	1	Handle, Funnel-Black
6	12499.0002	2	1	Screw, Round Head BLK .25" - 20 x 1.50"
7A	33089.0000	2	1	Filter Basket w/Splash Guard
7B	33089.0001	2	1	Filter Basket w/Clips & Splash Guard
8	32139.0000	2	1	Insert, Funnel Tip - Male (Refer to item 10)
9	32140.0000	2	1	Insert, Funnel Tip - Female (Refer to item 10)
10	01031.0001	-	-	Funnel Tip Kit (Includes items 8 & 9)
11	03021.0005	2	1	Funnel Assembly, Quick Brew Tea - Smoke (Includes items 12 thru 17)
12	03284.0000	2	1	Adapter W/Screen, Funnel (See item 18)
13	32965.0003	2	1	Splashguard
14	33129.0008*	2	1	Funnel, Quick Brew Tea - Smoke (Not Available. Order item 11)
15	03408.0000	2	1	Decal, Caution - REMOVE FUNNEL
16	03409.0000	2	1	Decal, Caution - HOT LIQUID
17	03407.0002	2	1	Funnel Tip, .114" Dia. Quick Brew (See item 18)
18	03536.0000	2	1	Decal, QUICK BREW
19	01037.0003	-	-	Funnel Tip & Screen Kit Quick Brew (Includes items 12 & 17)

* Indicates the part number listed is for reference only.

NUMERICAL INDEX

PART NO.	PAGE NO.	PART NO.	PAGE NO.	PART NO.	PAGE NO.	PART NO.	PAGE NO.
00486.0003	9	11517.0008	15	32530.0001	19	36675.0000	19
00619.0005	7	11630.0001	11	32572.1000	17	36675.0001	19
00619.0007	7	11707.0012	11	32591.0013	13	36677.0012	19
00656.0001	5	11707.0040	11	32591.0016	13	36677.0023	19
00658.0000	5	11707.1000	11	32591.0028	13	37297.1001	11
00669.0002	7	11707.1001	11	32591.0031	13	37298.1003	9
00824.0002	17	11707.1002	11	32591.0032	13	37755.1002	9
00908.0000	9	12422.0000	11	32591.0039	13	37776.0005	9
00942.0000	9	12422.0001	11,13	32591.0040	13	37782.0004	9
00943.0000	9,13	12422.0005	11,13	32591.0043	13	37804.0000	17
00970.0000	7,13,17,19	12422.0009	13	32591.1001	15	37827.1001	17
00973.0000	17	12499.0002	21	32591.1002	15	37827.1101	17
00986.0000	5	12565.0034	19	32591.1003	15	37870.1006	5
01031.0001	21	13054.0000	15	32591.1004	15	37874.0000	17
01037.0003	21	20203.0100	9	32595.0000	21	37875.0000	17
01075.0000	13	20526.2500	11	32643.0000	21	37877.0000	17
01106.0003	17	20526.2750	11	32643.0010	21	37881.0000	5
01308.0002	5,17	20541.0001	19	32648.0000	13	37920.0109	5
01308.0003	5	20630.0005	19	32965.0003	21	37967.0000	5
01311.0001	5	20976.0009	11	33089.0000	21	38040.0007	19
01317.0000	17	20976.0045	13	33089.0001	21	38040.0010	19
01317.0003	5	20976.0051	13	33129.0008	21	38114.0000	9
01382.0007	19	20976.0062	11	33801.0003	9	38344.1101	17
01501.0000	9	20976.0063	11	34056.0001	17	38894.0001	17
01511.0000	9	20976.0067	11	34072.0000	5	38969.0001	9,13
01520.0000	19	20976.0074	11	38125.0000	5	39085.1001	9
01522.0000	9	20976.1000	11,15	34307.1001	17	39175.0000	5
01533.0011	17	20976.1001	11,15	34307.1002	17	39450.1001	5
01544.0000	15	20976.1002	11,15	34867.0005	13	39453.1007	5
01590.0000	17	20976.1004	15	34868.0000	13	39455.1005	5
01592.0001	7,11	23522.1001	17	34956.0003	13	39541.1003	5
01685.0000	17	23696.0000	17	34956.0004	13	39594.0003	5
02308.0000	5,7,17	24462.0002	21	35070.0001	13	39594.0005	5
02328.0002	19	25102.0000	17	35308.1005	13	39596.0001	5
02332.0005	11	25137.0001	5	35937.0002	9	39599.0000	5
02370.0002	19	25151.0002	5	35956.0000	17	39615.0001	5
02594.0000	15	25151.0003	5	36355.1009	5	39615.0003	5
02595.0000	13	26846.0000	13	36355.1021	5	40081.0002	19
02755.1002	9	26846.0001	13	36359.1001	17	40763.0001	17
02766.0000	13	27370.0003	13	36359.1101	17	40783.0000	11
02854.0000	13	27370.0005	13	36360.1001	11	41193.0001	13
02856.0005	15	28614.0000	11	36364.0000	17	41193.1000	15
02858.0000	15	29007.0000	7	36366.0000	17	41193.1001	15
02861.0003	13	29075.0000	13	36367.0000	17	41193.1002	15
03021.0005	21	29081.0004	19	36368.0000	17	41193.1004	15
03284.0000	21	29264.0000	15	36587.0000	17	41665.0000	11
03407.0002	21	29329.1000	9	36604.0000	9	41665.0001	11
03408.0000	21	29485.1001	9	36605.0000	9	41666.0005	11
03408.0004	21	29485.1006	9	36606.0001	9	42025.0000	11
03409.0000	21	29485.1007	9	36608.0001	5	42234.0000	19
03409.0004	21	29710.0011	5	36639.0013	5	43041.0000	11
03536.0000	21	32139.0000	21	36674.0002	19	43820.0000	7
07038.0000	17	32140.0000	21	36674.0003	19	43820.0001	7
07412.1002	9	32283.0000	11	36674.0007	19	43828.0000	5

NUMERICAL INDEX

PART NO.	PAGE NO.	PART NO.	PAGE NO.	PART NO.	PAGE NO.	PART NO.	PAGE NO.
43828.0002.....	5						
44022.0000.....	19						
44029.0000.....	19						
44032.0000.....	19						
44145.0000.....	5						
44145.0001.....	5						
44150.0000.....	19						
44168.0000.....	11						
44250.0000.....	19						
45787.1034.....	17						
45787.1043.....	17						
46884.0000.....	11						
46884.0000.....	11						
47384.0001.....	7						
47562.0001.....	7						
48443.0024.....	17						
48444.0010.....	17						
M2522.100	19						