

BUNN®

G1, G2, G3 & *G2 trifacta®*

S/N G100020971 & up

S/N G300043358 & up



ILLUSTRATED PARTS CATALOG

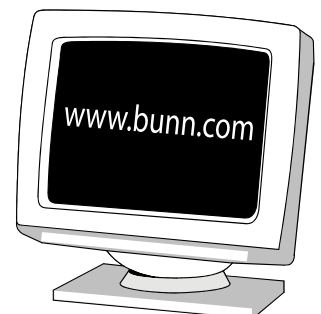
Designs, materials, weights, specifications, and dimensions for equipment or replacement parts are subject to change without notice.

BUNN-O-MATIC CORPORATION

POST OFFICE BOX 3227

SPRINGFIELD, ILLINOIS 62708-3227

PHONE: (217) 529-6601 FAX: (217) 529-6644



BUNN-O-MATIC COMMERCIAL PRODUCT WARRANTY

Bunn-O-Matic Corp. ("BUNN") warrants equipment manufactured by it as follows:

- 1) Airpots, thermal carafes, decanters, GPR servers, iced tea/coffee dispensers, MCP/MCA pod brewers thermal servers and Thermofresh servers (mechanical and digital)- 1 year parts and 1 year labor.
- 2) All other equipment - 2 years parts and 1 year labor plus added warranties as specified below:
 - a) Electronic circuit and/or control boards - parts and labor for 3 years.
 - b) Compressors on refrigeration equipment - 5 years parts and 1 year labor.
 - c) Grinding burrs on coffee grinding equipment to grind coffee to meet original factory screen sieve analysis - parts and labor for 4 years or 40,000 pounds of coffee, whichever comes first.

These warranty periods run from the date of installation BUNN warrants that the equipment manufactured by it will be commercially free of defects in material and workmanship existing at the time of manufacture and appearing within the applicable warranty period. This warranty does not apply to any equipment, component or part that was not manufactured by BUNN or that, in BUNN's judgment, has been affected by misuse, neglect, alteration, improper installation or operation, improper maintenance or repair, non periodic cleaning and descaling, equipment failures related to poor water quality, damage or casualty. In addition, the warranty does not apply to replacement of items subject to normal use including but not limited to user replaceable parts such as seals and gaskets. This warranty is conditioned on the Buyer 1) giving BUNN prompt notice of any claim to be made under this warranty by telephone at (217) 529-6601 or by writing to Post Office Box 3227, Springfield, Illinois 62708-3227; 2) if requested by BUNN, shipping the defective equipment prepaid to an authorized BUNN service location; and 3) receiving prior authorization from BUNN that the defective equipment is under warranty.

THE FOREGOING WARRANTY IS EXCLUSIVE AND IS IN LIEU OF ANY OTHER WARRANTY, WRITTEN OR ORAL, EXPRESS OR IMPLIED, INCLUDING, BUT NOT LIMITED TO, ANY IMPLIED WARRANTY OF EITHER MERCHANTABILITY OR FITNESS FOR A PARTICULAR PURPOSE. The agents, dealers or employees of BUNN are not authorized to make modifications to this warranty or to make additional warranties that are binding on BUNN. Accordingly, statements by such individuals, whether oral or written, do not constitute warranties and should not be relied upon.

If BUNN determines in its sole discretion that the equipment does not conform to the warranty, BUNN, at its exclusive option while the equipment is under warranty, shall either 1) provide at no charge replacement parts and/or labor (during the applicable parts and labor warranty periods specified above) to repair the defective components, provided that this repair is done by a BUNN Authorized Service Representative; or 2) shall replace the equipment or refund the purchase price for the equipment.

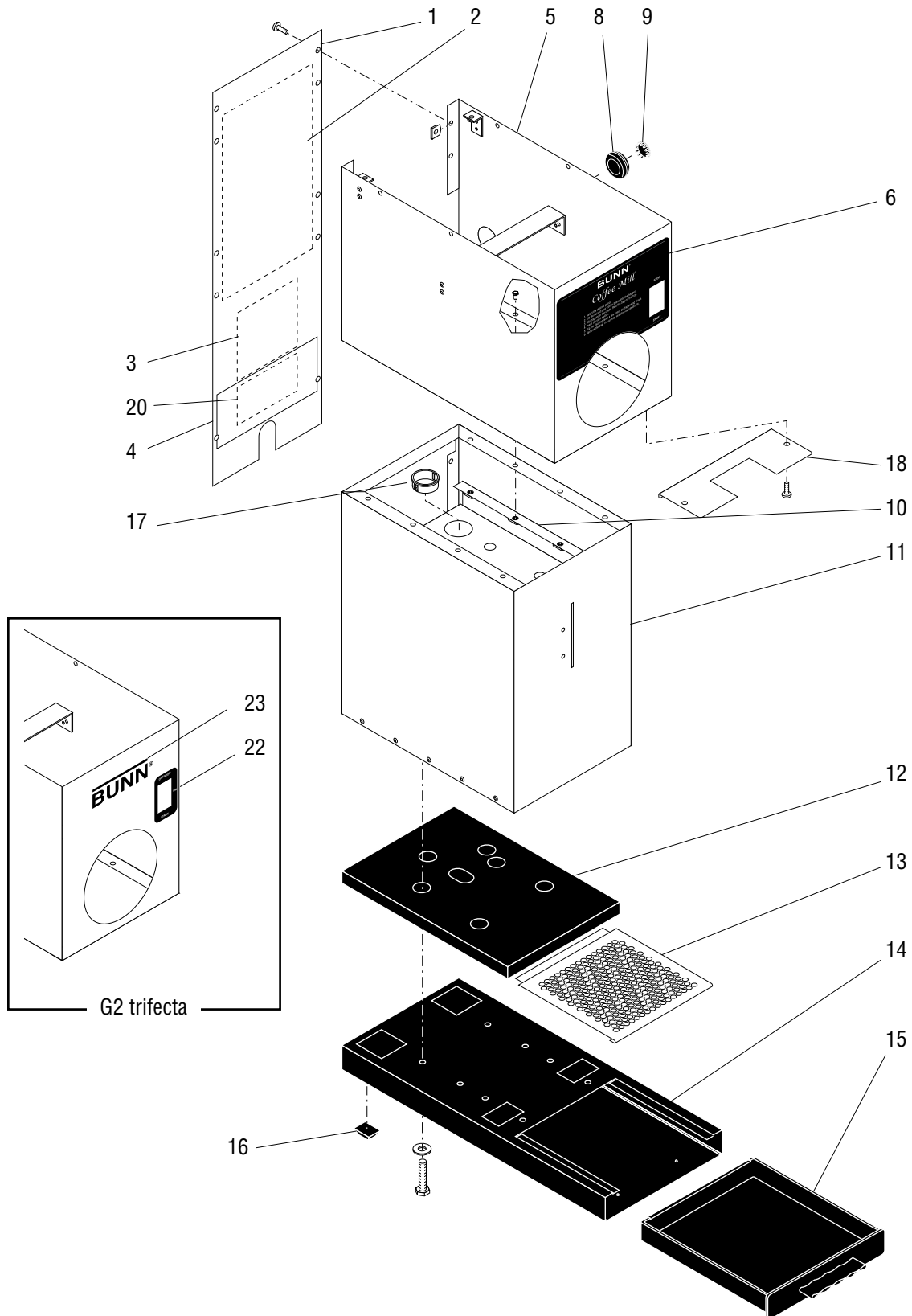
THE BUYER'S REMEDY AGAINST BUNN FOR THE BREACH OF ANY OBLIGATION ARISING OUT OF THE SALE OF THIS EQUIPMENT, WHETHER DERIVED FROM WARRANTY OR OTHERWISE, SHALL BE LIMITED, AT BUNN'S SOLE OPTION AS SPECIFIED HEREIN, TO REPAIR, REPLACEMENT OR REFUND.

In no event shall BUNN be liable for any other damage or loss, including, but not limited to, lost profits, lost sales, loss of use of equipment, claims of Buyer's customers, cost of capital, cost of down time, cost of substitute equipment, facilities or services, or any other special, incidental or consequential damages.

392, A Partner You Can Count On, AutoPOD, AXIOM, BrewLOGIC, BrewMETER, Brew Better Not Bitter, BrewWISE, BrewWIZARD, BUNN Espresso, BUNN Family Gourmet, BUNN Gourmet, BUNN Pour-O-Matic, BUNN, BUNN with the stylized red line, BUNNlink, Bunn-OMatic, Bunn-O-Matic, BUNNserve, BUNNSERVE with the stylized wrench design, Cool Froth, DBC, Dr. Brew stylized Dr. design, Dual, Easy Pour, EasyClear, EasyGard, FlavorGard, Gourmet Ice, Gourmet Juice, High Intensity, iMIX, Infusion Series, Intellisteam, My Café, Phase Brew, PowerLogic, Quality Beverage Equipment Worldwide, Respect Earth, Respect Earth with the stylized leaf and coffee cherry design, Safety-Fresh, savemycoffee.com, Scale-Pro, Silver Series, Single, Smart Funnel, Smart Hopper, SmartWAVE, Soft Heat, SplashGard, The Mark of Quality in Beverage Equipment Worldwide, ThermoFresh, Titan, trifacta, Velocity Brew, Air Brew, Air Infusion, Beverage Bar Creator, Beverage Profit Calculator, Brew better, not bitter., BUNNSource, Coffee At Its Best, Cyclonic Heating System, Daypart, Digital Brewer Control, Element, Nothing Brews Like a BUNN, Pouring Profits, Signature Series, Tea At Its Best, The Horizontal Red Line, Ultra are either trademarks or registered trademarks of Bunn-O-Matic Corporation. The commercial trifacta® brewer housing configuration is a trademark of Bunn-O-Matic Corporation.

TABLE OF CONTENTS

TITLE	PAGE NO.
Base, Housing and Panels.....	4
Electrical and Operating Controls.....	14
Hopper and Lids.....	8
Motor, Burr Housing and Bracket.....	10
Numerical Index.....	16



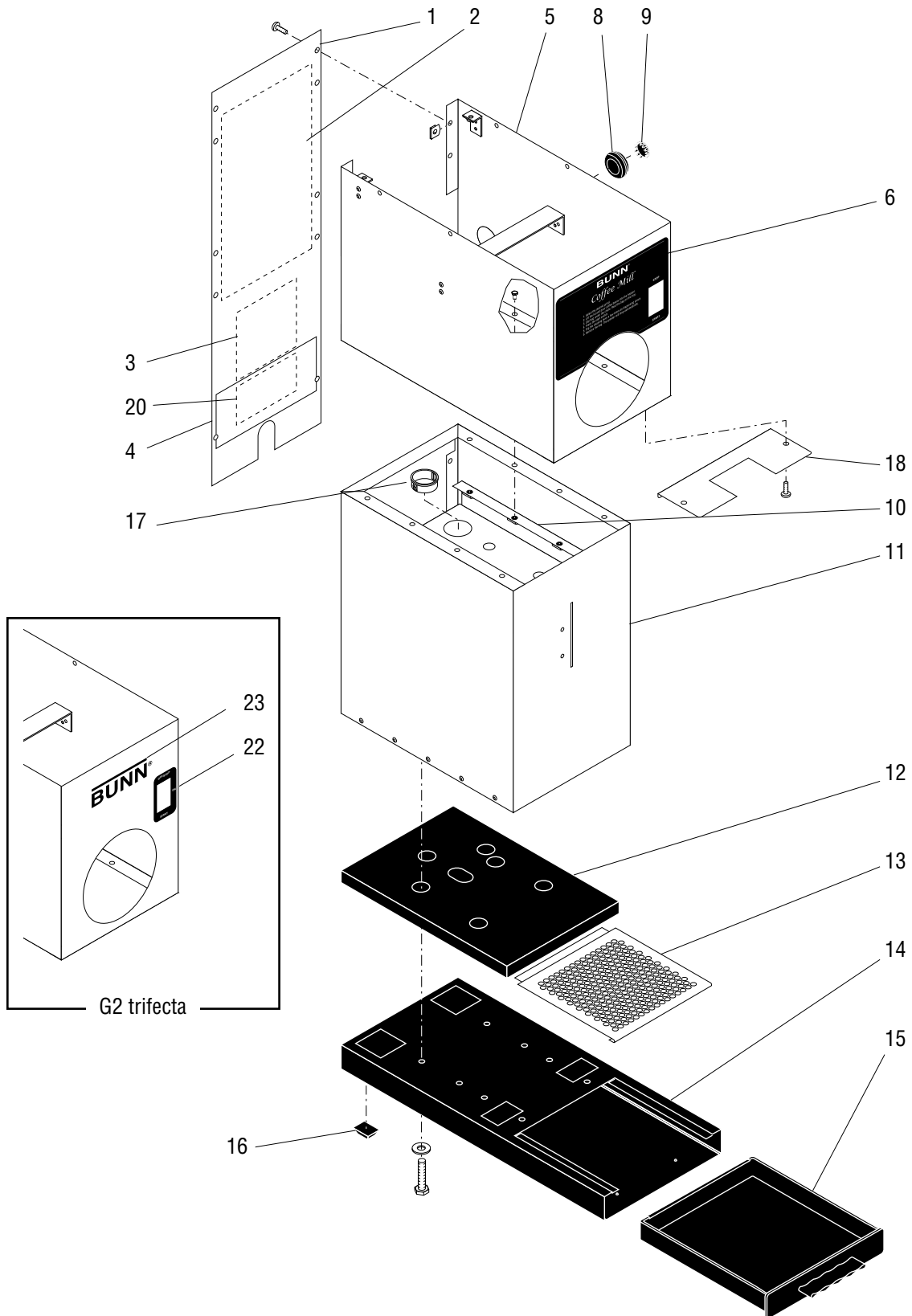
BASE, HOUSING AND PANELS

ITEM	PART NO.	QTY.	DESCRIPTION	
1	22085.1000	1	Panel W/Decals, Rear BLK 120V (Includes items 2, 3, 4 & 20)	} G1 Grinder
	22085.1001	1	Panel W/Decals, Rear RED 120V (Includes items 2, 3, 4 & 20)	
	22111.1000	1	Panel W/Decals, Rear BLK 120V (Includes items 2, 3, 4 & 20)	} G2 & G3 Grinders
	22111.1001	1	Panel W/Decals, Rear RED 120V (Includes items 2, 3, 4 & 20)	
	24342.1001	1	Panel W/Decals, Rear BLK 230V (Includes items 2, 3 & 20)	
	24342.1000	1	Panel W/Decals, Rear RED 230V (Includes items 2, 3 & 20)	
	22111.1004	1	Panel W/Decals, Rear SILVER 120V (Includes items 3, 4 & 20)(G2 trifecta)	
	43266.1000	1	Panel W/Decals, Rear SILVER 230V (Includes items 3 & 20)(G2 trifecta)	
	02322.0002	10	Screw, Truss Head - BLK #8-32 x .375"	} Two Less Used On G2 & G3 Grinders
	00917.0000	10	Fastener, "J" Type #8-32	
2	10113.0000	1	Decal, Operation & Service	
3	20545.0000	1	Decal, Warning - Electrical	
4	10190.0001	1	Schematic, 120V	
	10754.0001	1	Schematic, 230V & 240V	
5	41868.0000*	1	Housing, Upper BLK (Order item 21)	} G1 Grinder
	41868.0001*	1	Housing, Upper RED (Order item 21)	
	41869.0000*	1	Housing, Upper BLK (Order item 21)	} G2 & G3 Grinders
	41869.0001*	1	Housing, Upper RED (Order item 21)	
	22026.0004*	1	Housing, Upper SILVER (Order item 21) (G2 trifecta)	
	02311.0000	8	Screw, Hex Head #10-32 x .375"	
6	39956.0000	1	Decal, Bunn - Coffee Grinding Instructions (G1 Grinder)	
	39957.0000	1	Decal, Bunn - Coffee Grinding Instructions (G2 & G3 Grinders)	
8	23163.0000	1	Grommet	
9	23164.0000	1	Plug, Hole - BLK .875 Dia	
10	21857.0000	1	Bracket, Motor Mounting	
11	41927.0000*	1	Housing, Lower - BLK (Order item 21)	} G1 Grinder
	38283.0000*	1	Housing, Lower - BLK (Order item 21)	
	38283.0001*	1	Housing, Lower - RED (Order item 21)	} G2 & G3 Grinders
	38283.0002*	1	Housing, Lower - BLK (Order item 21)(240V 60 Hz Models)	
	38283.0004*	1	Housing, Lower - SILVER (Order item 21)(G2 trifecta)	
12	11174.0001	1	Pad, Base - Adhesive Back	
13	11274.0001	1	Cover, Tray	
14	11277.1001	1	Base/Tray Housing (Also refer to item 19)	
	02359.0000	4	Screw, Hex Head #10-32 x 1.25"	
	02360.0000	4	Washer, .188" I.D. x .750" O.D.	
15	11275.0001	1	Drawer	
16	02547.0000	4	Foot, Rubber	
17	01592.0001	1	Bushing, Snap 1.188" Dia	

(Continued)

* Indicates the part number listed is for reference only. See DESCRIPTION for possible service replacement.

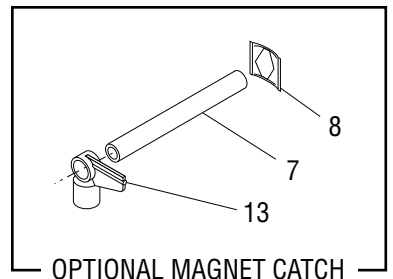
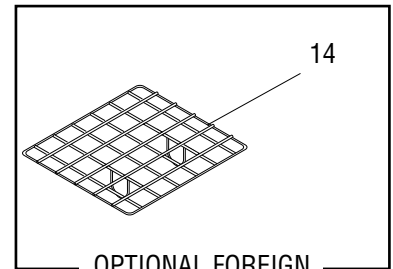
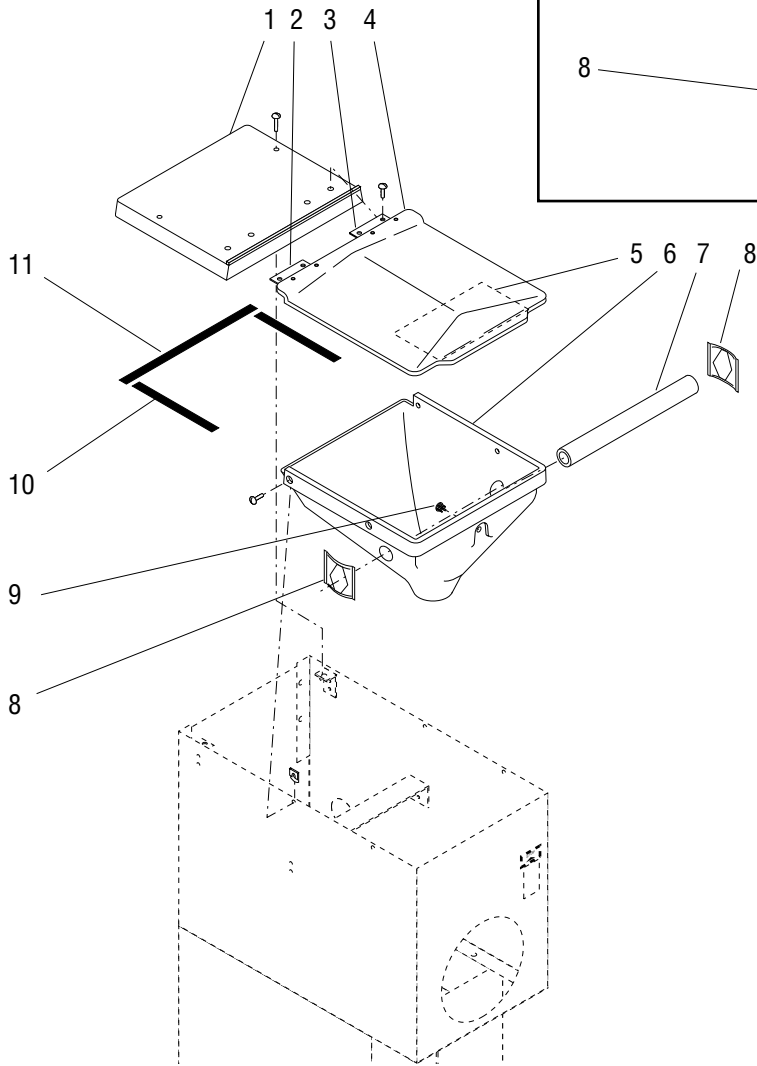
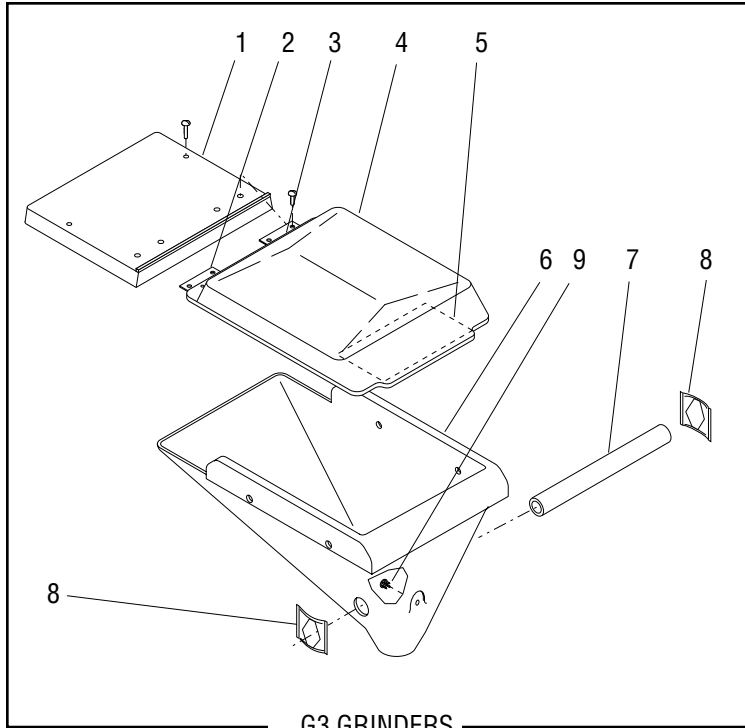
(Continued)



BASE, HOUSING AND PANELS

ITEM	PART NO.	QTY.	DESCRIPTION	
18	29011.0000	1	Plate, Filler	
	02363.0000	2	Screw, Pan Head - Thread Forming #8 x .375"	
19	11282.0001	-	Tray/Base Kit (Includes items 13 thru 16)	
20	37881.0000	1	Decal, No Serviceable Parts	
21	38286.1000	-	Housing Assy 120V, BLK (G1)(Includes items 5,10 & 11)] Not Illustrated
	38286.1001	-	Housing Assy 120V, RED (G1)(Includes items 5,10 & 11)	
	41870.1000	-	Housing Assy 120V, BLK (G2, G3)(Includes items 5,10 & 11)	
	41870.1002	-	Housing Assy 120V, RED (G2, G3)(Includes items 5,10 & 11)	
	38284.1002	-	Housing Assy, BLK (240V 60Hz Models)(Incl. items 5,10 & 11)	
	38284.1003	-	Housing Assy 120V, SILVER (G2 trifecta)(Incl. items 5,10,11,22 & 23)	
	38284.1004	-	Housing Assy 230V, BLK (G2, G3)(Incl. items 5,10 & 11)	
	38284.1005	-	Housing Assy 230V, SILVER (G2, G3)(Incl. items 5,10 & 11)	
22	38903.0000	1	Decal, ON/OFF/STOP (G2 trifecta)	
23	43104.0000	1	Decal, Bunn (G2 trifecta)	

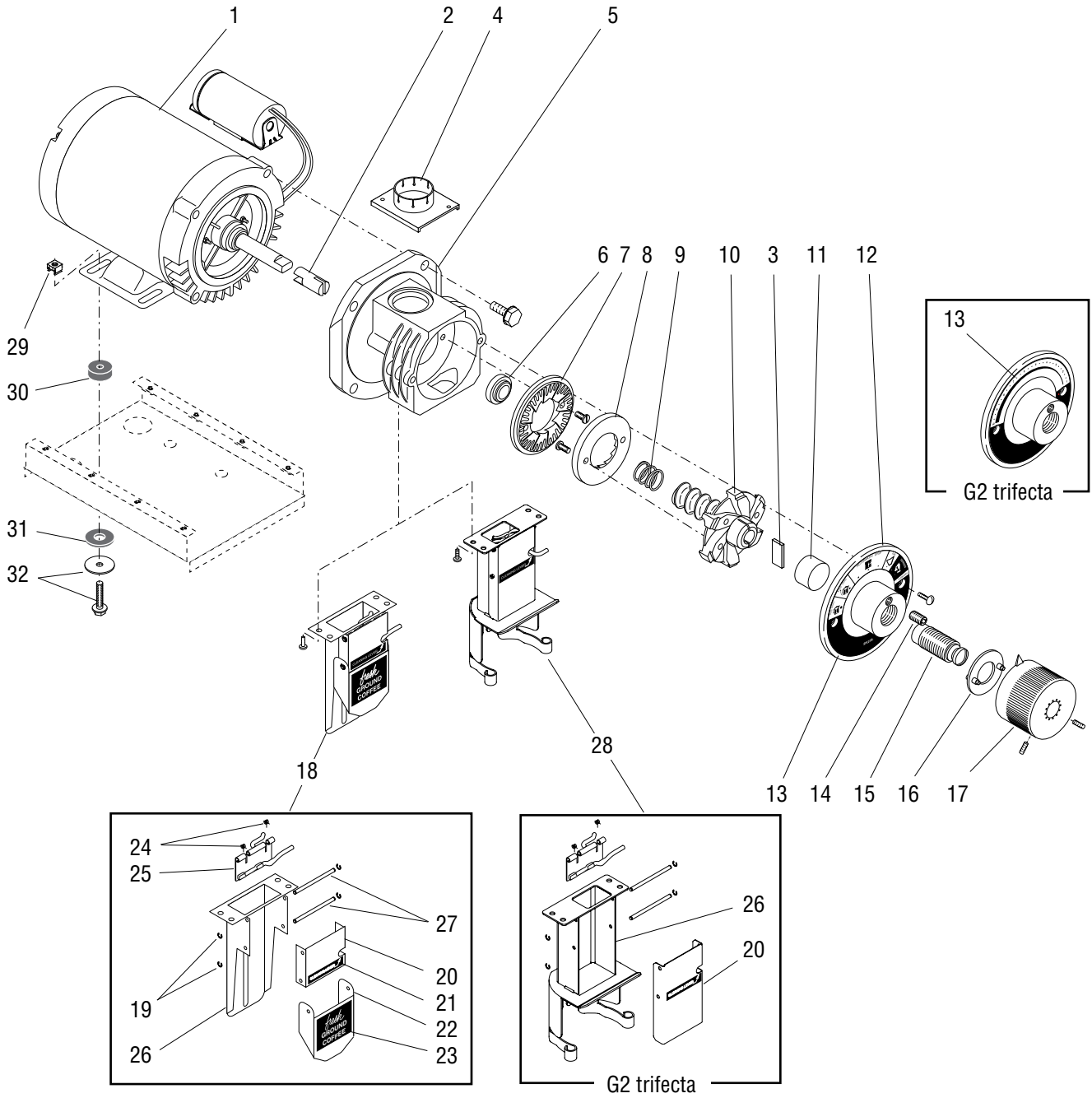
* Indicates the part number listed is for reference only. See DESCRIPTION for possible service replacement.



HOPPER AND LIDS

ITEM	PART NO.	QTY.	DESCRIPTION
1	11031.0003	1	Lid, Rear - BLK (G1 Grinder)
	11031.0002	1	Lid, Rear - BLK (G2 & G3 Grinders)
	01388.0002	2	Screw, Truss Head - BLK #6-32 x .75"
2	29012.0000	1	Hinge, Left (See item 4)
	02322.0002	2	Screw, Truss Head - BLK #8-32 x .38"
3	29012.0001	1	Hinge, Right (See item 4)
	02322.0002	2	Screw, Truss Head - BLK #6-32 x .38"
4	29129.0000	1	Lid, Front - BLK (Includes items 2, 3 & 5) (G1 Grinder)
	29129.0001	1	Lid, Front - BLK (Includes items 2, 3 & 5) (G2 Grinder)
	29129.0002	1	Lid, Front - BLK (Includes Items 2, 3 & 5) (G3 Grinder)
5	11076.0000	1	Decal, Caution - Close Lid
6	11256.0001	1	Hopper Assy (Includes items 7, 8 & 9) (G1 Grinder)
	20226.0000	1	Hopper Assy (Includes items 7, 8 & 9) (G2 Grinder)
	21261.0000	1	Hopper Assy (Includes items 7, 8 & 9) (G3 Grinder)
	01310.0000	4	Screw, Pan Head #6-32 x .25"
	01335.0000	4	Fastener, "J" Type #6-32
7	11116.0001	1	Tube, Finger Guard
8	11119.0000	2	Fastener, Push-On
9	20621.0000	1	Plug, Hole .203" Dia
10	22462.0007*	2	Gasket, Foam W/Adhesive 5.25" LG (Order item 12) (G1, G2 & G3 Grinders)
	22462.0006*	2	Gasket, Foam W/Adhesive 2.10" LG (Order item 12) (G2 Grinder)
	22462.0010*	2	Gasket, Foam W/Adhesive 8.75" LG (Order item 12) (G2 trifecta)
11	22462.0004*	1	Gasket, Foam W/Adhesive 7.00" LG (Order item 12)
12	22462.1000	-	Gasket, Foam W/Adhesive 24" (Use as required)
13	20208.0100	1	Magnet Catch (Optional)
14	28001.0000	1	Guard, Foreign Material (G2 Grinder)
	28002.0000	1	Guard, Foreign Material (G3 Grinder)

* Indicates the part number listed is for reference only. See DESCRIPTION for possible service replacement.



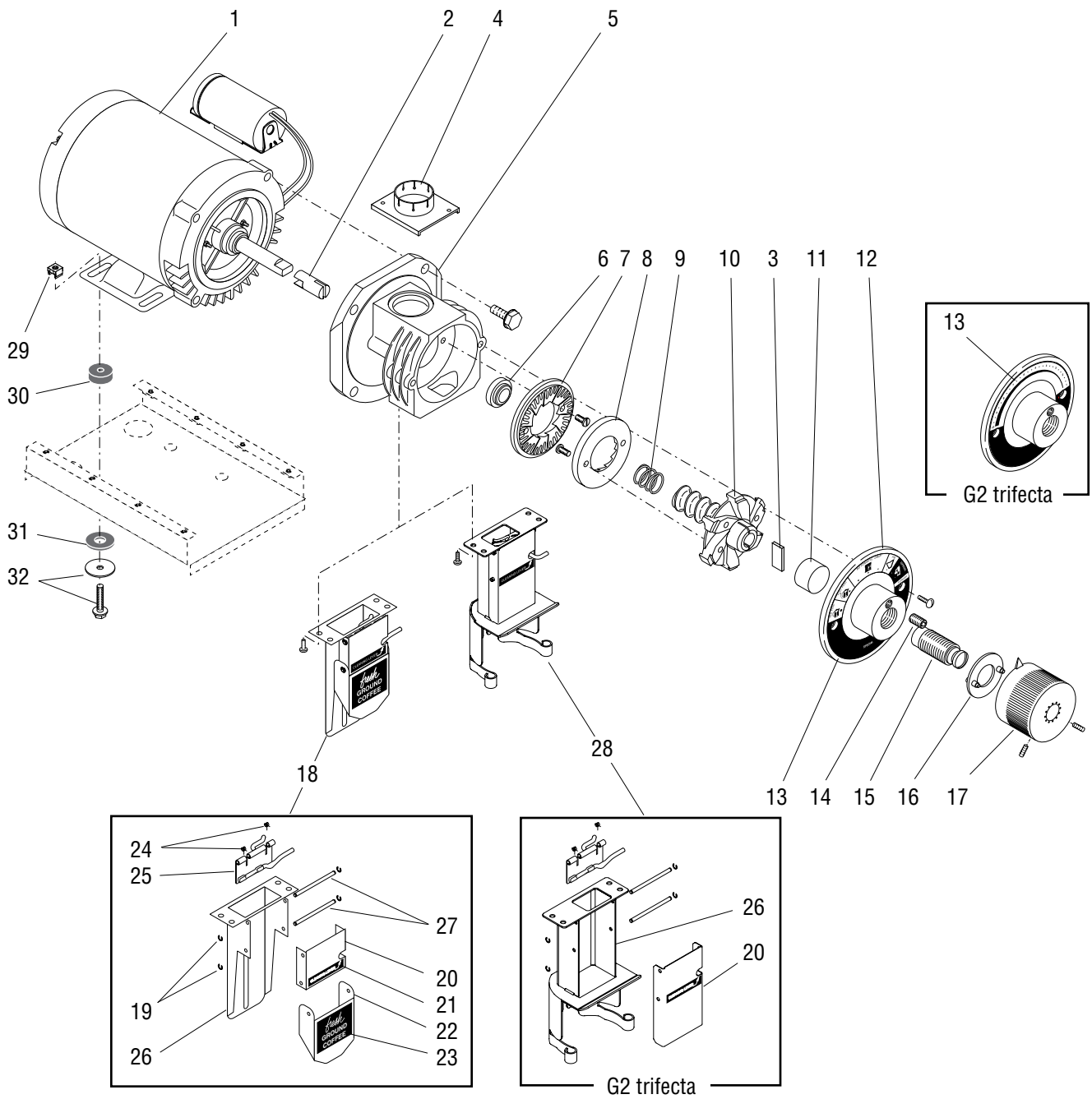
MOTOR, BURR HOUSING AND MOUNTING BRACKET

ITEM	PART NO.	QTY.	DESCRIPTION
1	11029.1005	1	Motor Assy, 115V 60HZ (Includes items 2,6 & 33)
	11029.1006	1	Motor Assy, 230V & 240V 50HZ (Includes items 2,6 & 33)
2	11191.0001	1	Extension, Motor Shaft
3	05852.0001	1	Plate, Shear
4	11089.0000	1	Collar, Hopper
	11180.0000	1	Housing, Burr
	02313.0000	4	Screw, Hex Head W/Washer .375"-16 x 1.0"
6	05870.0000	1	Bushing
7	-----	1	Burr (Not available. Order item 33)
	02314.0000	2	Screw, Pan Head .25"-20 x .50"
8	-----	1	Burr (Not available. Order item 33)
	02314.0000	2	Screw, Pan Head .25"-20 x .50"
9	11192.0000	1	Spring
10	11185.0001	1	Burr Auger Rotor/Spring Assy (Includes item 9)
11	00622.0000	1	Cup, Burr Rotor
12	11066.0000	1	Plate, Grind Selector Dial (G1/G2/G3)(Includes item 13 & 14)
	11066.0004	1	Plate, Grind Selector Dial (G2 trifecta)(Includes item 13 & 14)
	11064.0000	2	Screw, Fillister Head .250"-20 x .75"
13	11075.0000	1	Decal, Grind Select
	11075.0004	1	Decal, Grind Select - Turkish
	11075.0100	1	Decal, Grind Select (G2 trifecta)
14	11086.0000	1	Dentent, Spring Plunger
15	11081.0000	1	Screw W/Bearing, Adjusting
16	11067.0000	1	Plate, Dentent
	11067.0001	1	Plate, Dentent (G2 trifecta)
17	22294.0000	1	Knob, Grind Selector (Includes items 16 and set screws indented below)
	21611.0000	2	Set Screw .25020 x 0.75"
18	29085.1000	1	Chute/Dechaffer Assy (G1) (Includes items 19 thru 27)
	29085.1001	1	Chute/Dechaffer Assy (G2/G3) (Includes items 19 thru 27)
19	11177.0000	4	Ring, Retaining
20	28980.0000	1	Cover, Chute - Upper
	28980.0001	1	Cover, Chute - Upper (G2 trifecta)
21	20204.1500	1	Decal, Cleaning Lever
22	28979.0000	1	Cover, Chute - Lower (For 5.75" LG Chute) (Also order item 23) (G1 Grinders)
	28979.0001	1	Cover, Chute - Lower (For 7.00" LG Chute) (Also order item 23) (G2 & G3 Ginders)

(Continued)

* Indicates the part number listed is for reference only. See DESCRIPTION for possible service replacement.

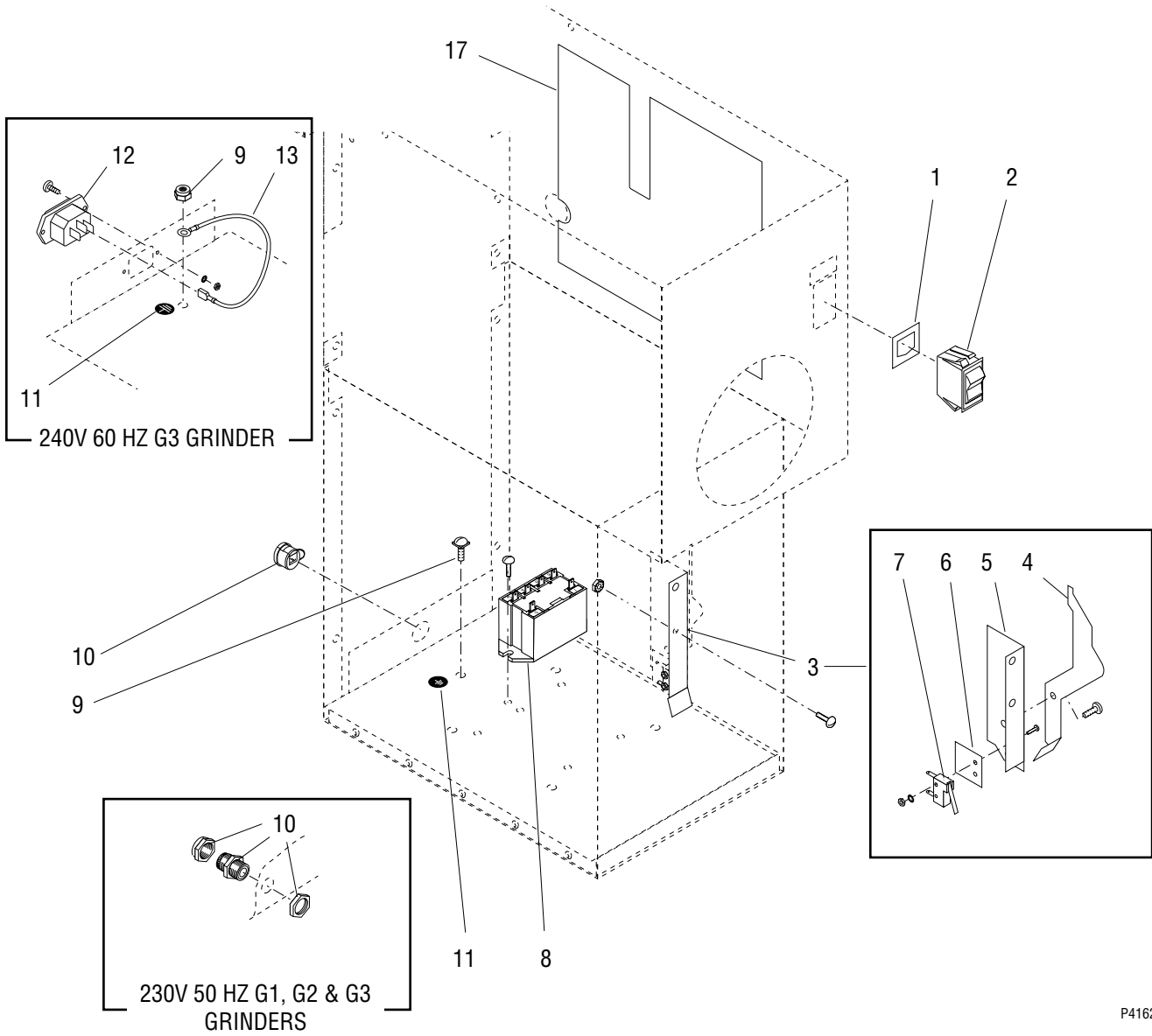
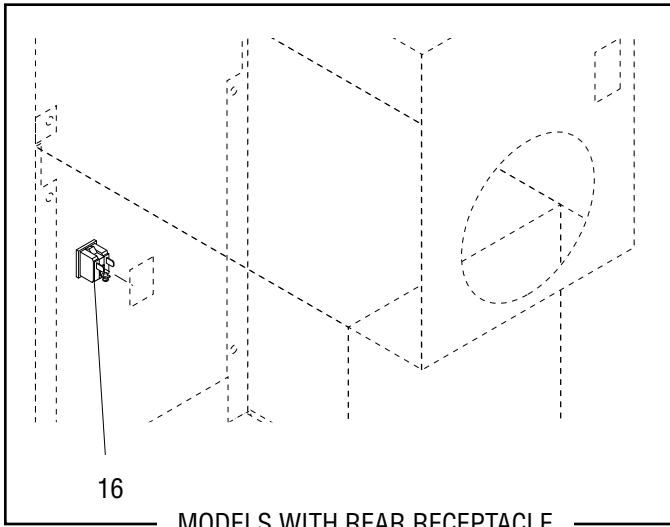
(Continued)



MOTOR, BURR HOUSING AND MOUNTING BRACKET

ITEM	PART NO.	QTY.	DESCRIPTION
23	11062.0000	1	Decal, Fresh Ground Coffee (G1/G2/G3)
24	20204.1100	2	Spring, Dechaffer
25	20204.1200	1	Dechaffer
26	28981.0010	1	Chute, 5.75" LG (G1 Grinders)
	28981.0011	1	Chute, 7.00" LG (G2 & G3 Ginders)
	28981.0003*	1	Chute w/ Cup Holder (G2 trifecta)(Order item 28)
	02330.0001	4	Screw, Slotted Hex Head #10-24 x .375"
27	11176.0004	2	Pin, Pivot-Lower 2.44" long
28	29085.1005	1	Chute/Dechaffer Assy (G2 trifecta)(Includes items 19 thru 27)
29	00951.0000	4	Nut, Cage .250"-20
30	05881.0000	4	Bushing
31	05882.0000	4	Washer, 1.50" Dia
32	02326.0000	4	Screw, Hex Head .250"-20 x 1.25"
	01539.0000	4	Washer, Flat 1.50" Dia
33	05861.1002	1	Burr Kit (Includes items 7, 8 and mounting screws)
	11285.1000	1	Burr Kit, Turkish Grind (Includes items 7, 8 and mounting screws)

* Indicates the part number listed is for reference only. See DESCRIPTION for possible service replacement.



ELECTRICAL AND OPERATING CONTROLS

ITEM	PART NO.	QTY.	DESCRIPTION
1	11110.0000	1	Shield, Switch Insulator
2	05815.1000	1	Switch, OFF/ON/START
3	11257.0003	1	Bag Sensor Assy (Includes items 4 thru 7)
	01315.0000	2	Screw, Truss Head #8-32 x .375"
	00970.0000	2	Nut, Keps #8-32
4	-----	1	Pivot Arm, Bag Sensor (Not Available. Order item 3)
	02357.0001	1	Screw, Truss Head - Shoulder #6-32
5	20204.2001	1	Bracket, Pivot Arm
6	11077.0000	1	Insulator, Bag Sensor Switch
7	11087.0000	1	Switch, Bag Sensor
	02356.0000	2	Switch, Pan Head #2-56 x .50"
	01506.0000	2	Lockwasher, External Tooth #2
	00998.0000	2	Nut, Hex #2-56
8	37711.0000	1	Relay, 120V AC
	37711.0001	1	Relay, 230V AC
	02308.0000	1	Screw, Truss Head - SST #6-32 x .375"
9	01309.0000	1	Screw, Pan Head W/Terminal Washer #10-32 x .50" (120V Models)
	00991.0003	1	Nut, Elastic Lock #10-32 (230V & 240V Models)
10	01686.0000	1	Bushing, Strain Relief (120V Models)
	05746.0000	1	Bushing, Strain Relief (230V Models)
11	00824.0002	1	Decal, Ground (230V & 240V Models Only)
12	01908.0000	1	Power Connector (240V 60HZ G3 Grinders)
	01362.0000	2	Screw, Oval Head #4-40 x .50"
	01509.0000	2	Lockwasher, External Tooth #4
	00937.0000	2	Nut, Hex #4-40
13	21016.0013*	1	Lead, Electrical 16AWG GRN/YEL 4.00" LG (240V 60 HZ G3 Grinders)
14	40701.0013	1	Cord, Power - 120V (Not Illustrated)
	27728.0001	1	Cord, Power - 230V (Not Illustrated) (G2 & G3 Grinders) (Not used on 240V 60 HZ G3 Grinders)
15	11187.0001	1	Wiring Harness, Main 120V, 230V & 240V AC (Not Illustrated)
16	03628.0000	1	Receptacle, Grounded (5-15R)
17	37177.0000	1	Shield, Wiring (G1 Grinders)
	37191.0000	1	Shield, Wiring (G2 & G3 Grinders)

* Indicates the part number listed is for reference only. See DESCRIPTION for possible service replacement.

NUMERICAL INDEX

PART NO.	PAGE NO.	PART NO.	PAGE NO.	PART NO.	PAGE NO.	PART NO.	PAGE NO.
00622.0000.....	11	11075.0004.....	11	28001.0000.....	9		
00824.0002.....	15	11075.0100.....	11	28002.0000.....	9		
00917.0000.....	5	11076.0000.....	9	28979.0000.....	11		
00937.0000.....	15	11077.0000.....	15	28979.0001.....	11		
00951.0000.....	13	11081.0000.....	11	28980.0000.....	11		
00970.0000.....	15	11086.0000.....	11	28980.0001.....	11		
00991.0003.....	15	11087.0000.....	15	28981.0010.....	13		
00998.0000.....	15	11089.0000.....	11	28981.0011.....	13		
01309.0000.....	15	11110.0000.....	15	28981.0003.....	13		
01310.0000.....	9	11116.0001.....	9	29011.0000.....	7		
01315.0000.....	15	11119.0000.....	9	29012.0000.....	9		
01335.0000.....	9	11174.0001.....	5	29012.0001.....	9		
01362.0000.....	15	11176.0004.....	13	29085.1000.....	11		
01382.0000.....	15	11177.0000.....	11	29085.1001.....	11		
01388.0002.....	9	11180.0000.....	11	29085.1005.....	13		
01506.0000.....	15	11185.0001.....	11	29129.0000.....	9		
01509.0000.....	15	11187.0001.....	15	29129.0001.....	9		
01539.0000.....	13	11191.0001.....	11	29129.0002.....	9		
01592.0001.....	5	11192.0000.....	11	37177.0000.....	15		
01686.0000.....	15	11256.0001.....	9	37191.0000.....	15		
01908.0000.....	15	11257.0003.....	15	37711.0000.....	15		
02311.0000.....	5	11274.0001.....	5	37711.0001.....	15		
02313.0000.....	11	11275.0001.....	5	37881.0000.....	7		
02314.0000.....	11	11277.1001.....	5	38283.0000.....	5		
02322.0002.....	5,9	11282.0001.....	7	38283.0001.....	5		
02326.0000.....	13	11285.1000.....	13	38283.0002.....	5		
02330.0001.....	13	20204.1100.....	13	38283.0004.....	5		
02356.0000.....	15	20204.1200.....	13	38284.1002.....	7		
02357.0001.....	15	20204.1500.....	11	38284.1003.....	7		
02359.0000.....	5	20204.2001.....	15	38284.1004.....	7		
02360.0000.....	5	20208.0100.....	9	38284.1005.....	7		
02363.0000.....	7	20226.0000.....	9	38286.1000.....	7		
02547.0000.....	5	20545.0000.....	5	38286.1001.....	7		
03628.0000.....	15	20621.0000.....	9	38903.0000.....	7		
05746.0000.....	15	21016.0013.....	15	39956.0000.....	5		
05815.1000.....	15	21261.0000.....	9	39957.0000.....	5		
05852.0001.....	11	21611.0000.....	11	40701.0013.....	15		
05861.1002.....	13	21857.0000.....	5	41868.0000.....	5		
05870.0000.....	11	22026.0004.....	5	41868.0001.....	5		
05881.0000.....	13	22085.1000.....	5	41869.0000.....	5		
05882.0000.....	13	22085.1001.....	5	41869.0001.....	5		
10113.0000.....	5	22111.1000.....	5	41870.1000.....	7		
10190.0001.....	5	22111.1001.....	5	41870.1001.....	7		
10754.0001.....	5	22111.1004.....	5	41927.0000.....	5		
11029.1005.....	11	22294.0000.....	11	43104.0000.....	7		
11029.1006.....	11	22462.0004.....	9	43266.1000.....	5		
11031.0002.....	9	22462.0006.....	9				
11031.0003.....	9	22462.0007.....	9				
11062.0000.....	11	22462.0010.....	9				
11064.0000.....	11	22462.1000.....	9				
11066.0000.....	11	23163.0000.....	5				
11066.0004.....	11	23164.0000.....	5				
11067.0000.....	11	24342.1000.....	5				
11067.0001.....	11	24342.1001.....	5				
11075.0000.....	11	27728.0001.....	15				