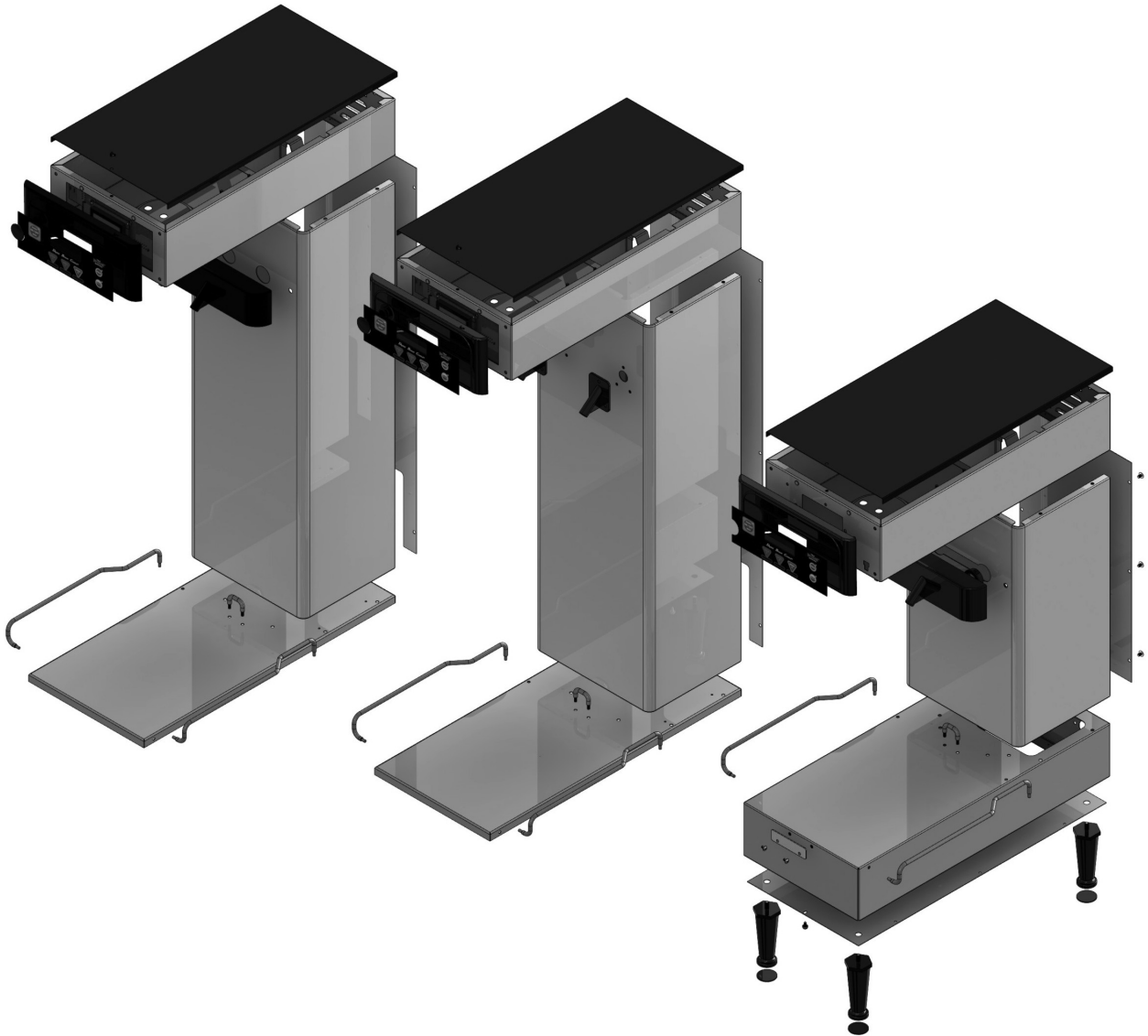


BUNN®

ITB Infusion Series®



ILLUSTRATED PARTS CATALOG

Designs, materials, weights, specifications, and dimensions for equipment or replacement parts are subject to change without notice.

BUNN-O-MATIC CORPORATION

POST OFFICE BOX 3227

SPRINGFIELD, ILLINOIS 62708-3227

PHONE: (217) 529-6601 FAX: (217) 529-6644



BUNN-O-MATIC COMMERCIAL PRODUCT WARRANTY

Bunn-O-Matic Corp. ("BUNN") warrants equipment manufactured by it as follows:

- 1) Airpots, thermal carafes, decanters, GPR servers, iced tea/coffee dispensers, MCR/MCP/MCA single cup brewers, thermal servers and ThermoFresh® servers (mechanical and digital) 1 year parts and 1 year labor.
- 2) All other equipment - 2 years parts and 1 year labor plus added warranties as specified below:
 - a) Electronic circuit and/or control boards - parts and labor for 3 years.
 - b) Compressors on refrigeration equipment - 5 years parts and 1 year labor.
 - c) Grinding burrs on coffee grinding equipment to grind coffee to meet original factory screen sieve analysis - parts and labor for 4 years or 40,000 pounds of coffee, whichever comes first.

These warranty periods run from the date of installation BUNN warrants that the equipment manufactured by it will be commercially free of defects in material and workmanship existing at the time of manufacture and appearing within the applicable warranty period. This warranty does not apply to any equipment, component or part that was not manufactured by BUNN or that, in BUNN's judgment, has been affected by misuse, neglect, alteration, improper installation or operation, improper maintenance or repair, non periodic cleaning and descaling, equipment failures related to poor water quality, damage or casualty. In addition, the warranty does not apply to replacement of items subject to normal use including but not limited to user replaceable parts such as seals and gaskets. This warranty is conditioned on the Buyer 1) giving BUNN prompt notice of

any claim to be made under this warranty by telephone at (217) 529-6601 or by writing to Post Office Box 3227, Springfield, Illinois 62708-3227; 2) if requested by BUNN, shipping the defective equipment prepaid to an authorized BUNN service location; and 3) receiving prior authorization from BUNN that the defective equipment is under warranty.

THE FOREGOING WARRANTY IS EXCLUSIVE AND IS IN LIEU OF ANY OTHER WARRANTY, WRITTEN OR ORAL, EXPRESS OR IMPLIED, INCLUDING, BUT NOT LIMITED TO, ANY IMPLIED WARRANTY OF EITHER MERCHANTABILITY OR FITNESS FOR A PARTICULAR PURPOSE. The agents, dealers or employees of BUNN are not authorized to make modifications to this warranty or to make additional warranties that are binding on BUNN. Accordingly, statements by such individuals, whether oral or written, do not constitute warranties and should not be relied upon.

If BUNN determines in its sole discretion that the equipment does not conform to the warranty, BUNN, at its exclusive option while the equipment is under warranty, shall either 1) provide at no charge replacement parts and/or labor (during the applicable parts and labor warranty periods specified above) to repair the defective components, provided that this repair is done by a BUNN Authorized Service Representative; or 2) shall replace the equipment or refund the purchase price for the equipment.

THE BUYER'S REMEDY AGAINST BUNN FOR THE BREACH OF ANY OBLIGATION ARISING OUT OF THE SALE OF THIS EQUIPMENT, WHETHER DERIVED FROM WARRANTY OR OTHERWISE, SHALL BE LIMITED, AT BUNN'S SOLE OPTION AS SPECIFIED HEREIN, TO REPAIR, REPLACEMENT OR REFUND.

In no event shall BUNN be liable for any other damage or loss, including, but not limited to, lost profits, lost sales, loss of use of equipment, claims of Buyer's customers, cost of capital, cost of down time, cost of substitute equipment, facilities or services, or any other special, incidental or consequential damages.

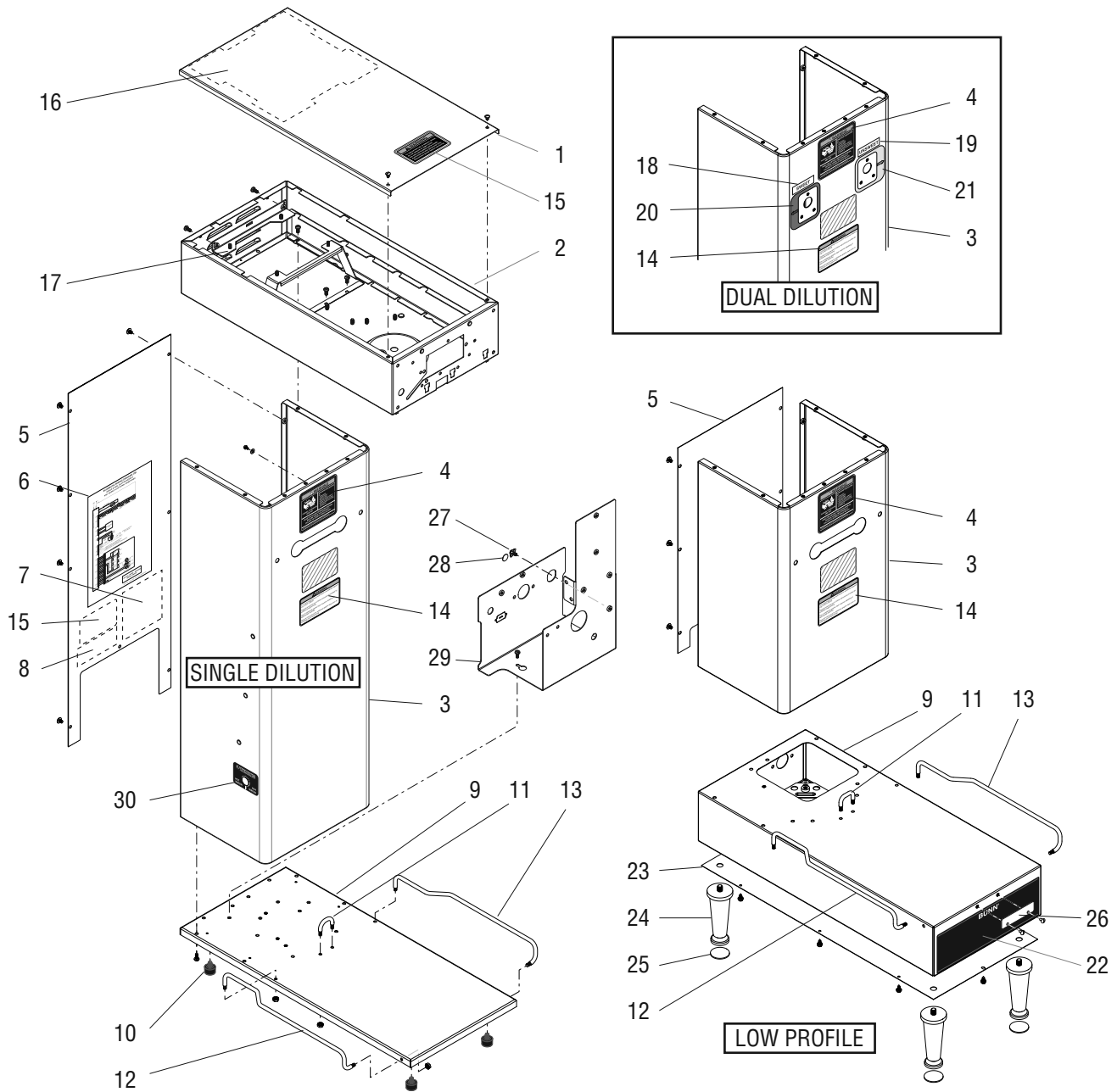
392, A Partner You Can Count On, Air Infusion, AutoPOD, AXIOM, BrewLOGIC, BrewMETER, Brew Better Not Bitter, BrewWISE, BrewWIZARD, BUNN Espresso, BUNN Family Gourmet, BUNN Gourmet, BUNN Pour-O-Matic, BUNN, BUNN with the stylized red line, BUNNlink, Bunn-O-Matic, Bunn-O-Matic, BUNNserve, BUNNSERVE with the stylized wrench design, Cool Froth, DBC, Dr. Brew stylized Dr. design, Dual, Easy Pour, EasyClear, EasyGard, FlavorGard, Gourmet Ice, Gourmet Juice, High Intensity, iMIX, Infusion Series, Intellisteam, My Café, Phase Brew, PowerLogic, Quality Beverage Equipment Worldwide, Respect Earth, Respect Earth with the stylized leaf and coffee cherry design, Safety-Fresh, savemycoffee.com, Scale-Pro, Silver Series, Single, Smart Funnel, Smart Hopper, SmartWAVE, Soft Heat, SplashGard, The Mark of Quality in Beverage Equipment Worldwide, ThermoFresh, Titan, trifacta, TRIFECTA (stylized logo), Velocity Brew, Air Brew, Beverage Bar Creator, Beverage Profit Calculator, Brew better, not bitter., Build-A-Drink, BUNNSource, Coffee At Its Best, Cyclonic Heating System, Daypart, Digital Brewer Control, Element, Milk Texturing Fusion, Nothing Brews Like a BUNN, Picture Prompted Cleaning, Pouring Profits, Signature Series, Sure Tamp, Tea At Its Best, The Horizontal Red Line, Ultra are either trademarks or registered trademarks of Bunn-O-Matic Corporation. The commercial trifacta® brewer housing configuration is a trademark of Bunn-O-Matic Corporation.

TABLE OF CONTENTS

Hood, Trunk, Base and Panels.....	4
Tank and Components.....	6
Dispense Valve and Sprayhead	8
Fill, Dilution & Tank Drain.....	10
Sweetener	12
Electrical and Operating Controls.....	14
Funnels	16
Numerical Index.....	18

To order coffee filters, water filters, or other accessories, refer to Specification Sheets at www.bunn.com

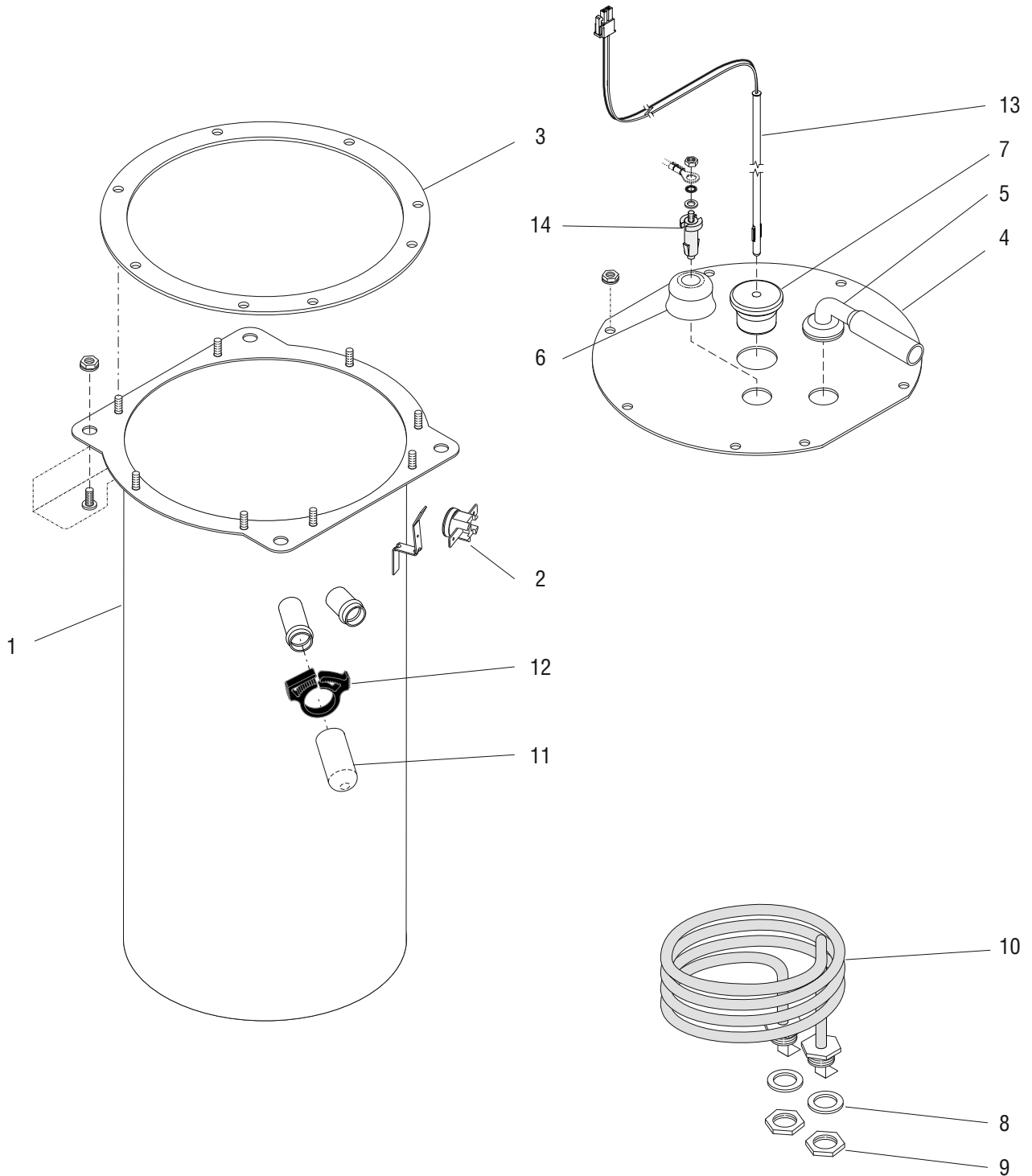
Fraction	Decimal		Fraction	Decimal
1/16	0.063		9/16	0.563
1/8	0.125		5/8	0.625
3/16	0.188		11/16	0.688
1/4	0.250		3/4	0.750
5/16	0.313		13/16	0.813
3/8	0.375		7/8	0.875
7/16	0.438		15/16	0.938
1/2	0.500		1	1.000



HOOD, TRUNK, BASE AND PANEL

ITEM	PART NO.	QTY.	DESCRIPTION
1	36355.1006	1	Cover, Top (Includes items 24 & 25) (1 Screw)
	36355.1010	1	Cover, Top (Includes items 24 & 25) (2 Screws) (Shown)
	01308.0000	1	Screw, Truss Head #6-32 x .25"
2	36354.0010	1	Hood (ITB & ITB-LP Only)
	36354.0005	1	Hood (Dual Dilution Models Only)
	02308.0000	8	Screw, Pan Head #8-32 x .38"
3	38580.1012	1	Trunk w/Decals 29" Single Dilution (Includes items 4, 14 & 30)
	36353.0029*	1	Trunk w/Decals 29" Dual Dilution (Includes items 4 & 14)
	36594.0003	1	Trunk SST (Low Profile Models) (Includes items 4 & 14)
	02308.0000	6	Screw, Pan Head #8-32 x .38"
4	00658.0000	1	Decal, Warning - Decanter/Funnel
5	36356.1206	1	Panel w/Decals 29.0" SST (7 mtg. hole) (Includes items 14,15 & 24)
	36997.1001	1	Panel, Back (Low Profile Models Only)
	01311.0001	7	Screw, Truss Head #8-32 x .25" (1 less used on Low Profile)
6	42377.0000	1	Schematic, ITB (Early Models)
	48835.0000	1	Schematic, ITB (Triac Models)
7	00986.0000	1	Decal, Warning - Electrical
8	00656.0001	1	Decal, Comply to Plumbing Code
9	36362.0005	1	Base (Standard Models)
	36923.0003	1	Base (Low Profile Models)
10	25137.0001	4	Foot
	24600.0000	-	Foot Kit, Set of 4
11	36412.0000	1	Rail, Stop
	00970.0000	2	Nut, Keps #8-32
12	36461.0000	1	Guide Rail, Left
	00970.0000	2	Nut, Keps #8-32
13	36462.0000	1	Guide Rail, Right
	00970.0000	2	Nut, Keps #8-32
14	39175.0000	1	Decal, Warning Overlay Graphic
15	37881.0000	2	Decal, No Serviceable Parts
16	25151.0002	1	Shield, Insulator
17	34118.0001	1	Bracket, Tank Support
	01317.0003	2	Screw, Truss Head #8-32 x .375"
18	38589.0000	1	Decal, Sweet
19	38589.0001	1	Decal, Unsweet
20	41948.0000	1	Decal, Nozzle Left
21	41948.0001	1	Decal, Nozzle Right
22	37573.0000	1	Decal, Decorative
23	36877.0001	1	Panel, Bottom
	02332.0002	8	Screw, Hex #6 x .375"
24	26528.0001	4	Leg, 4.0" Adjustable
25	03996.0000	4	Pad, Non-Skid
26	37538.0001	1	Stop, Dispenser Front
	01311.0001	2	Screw, Truss Head #6-32 x .25"
27	37804.0000	1	Screw, Ground
28	00824.0002	1	Decal, Ground
29	47898.1003	1	Bracket w/Decals
	02308.0000	2	Screw, Pan Head #8-32 x .38"
30	29007.0005	2	Decal, Hot Water

* Indicates the part number listed is for reference only.

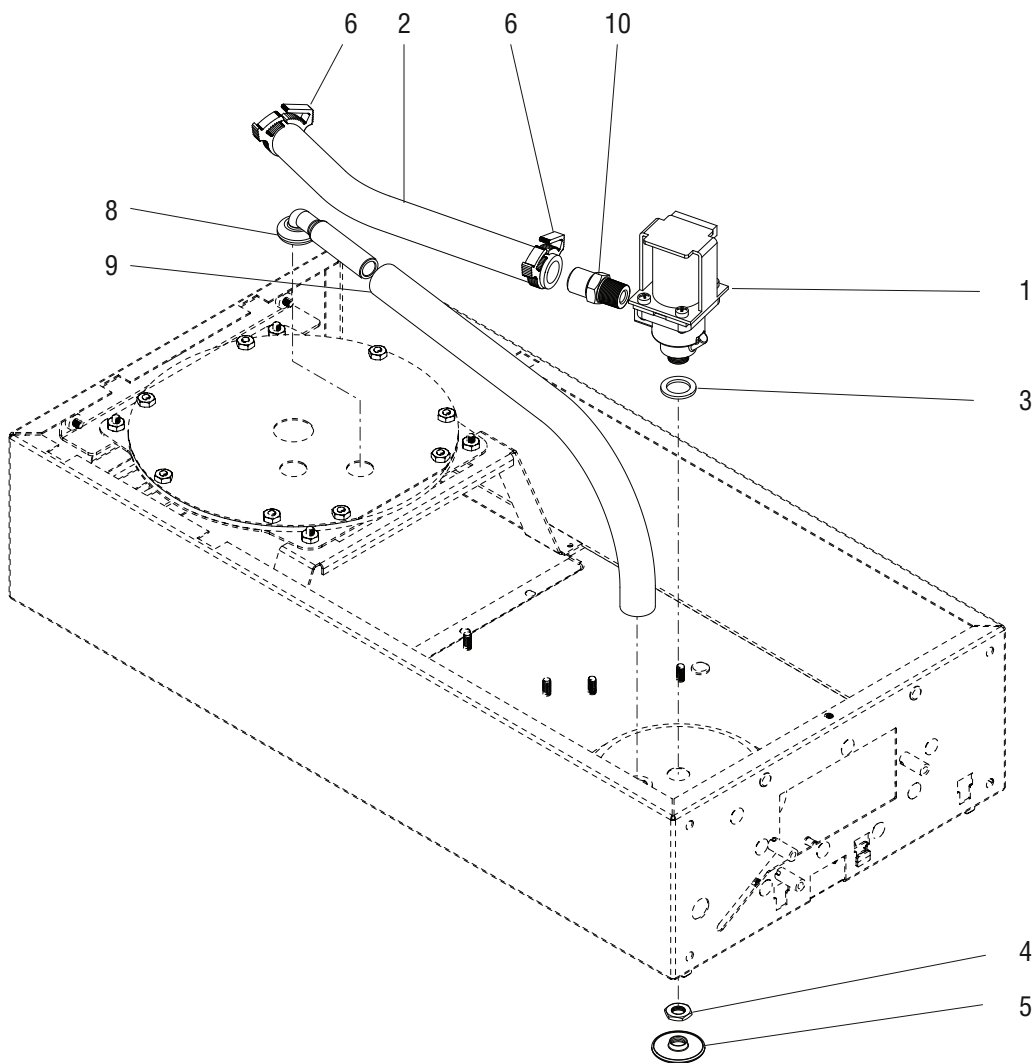
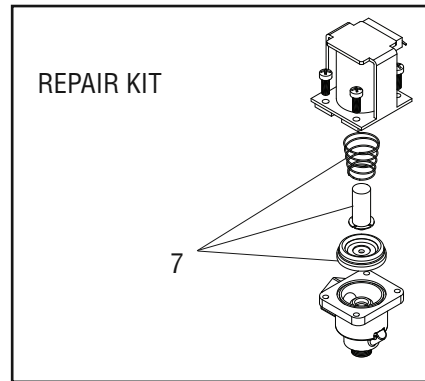


TANK & COMPONENTS

ITEM	PART NO.	QTY.	DESCRIPTION
1	33937.0003	1	Tank
	00908.0000	4	Nut, Hex #8-32
2	29329.1000	1	Limit Thermostat
3	04221.0000	1	Gasket
4	28735.0000	1	Lid
	00908.0000	8	Nut, Hex #8-32
5	38969.0001	1	Fitting, 90° Silicone
6	38114.0000	1	Grommet, Liquid Level Probe
7	33801.0003	1	Grommet, Temp. Sensor
8	00943.0000	2	Gasket
9	00942.0000	2	Nut, Hex .50"-20
10	02755.1001	1	Tank Heater 1680W (Includes item 12)
11	29279.0000	1	Cap, Tube-Silicone
12	12422.0005	1	Clamp, Hose SNP-12
13	39085.1001	1	Probe Kit, Temperature and Dry Plug
14	07412.1002	1	Probe, Liquid Level
	01501.0000	1	Washer
	20203.0100	1	Lockwasher, Internal-tooth #8
	00908.0000	1	Nut, Hex #8-32

The following items are not illustrated

15	34074.1030	1	Tank Assy (Includes items 1-14)
----	------------	---	---------------------------------



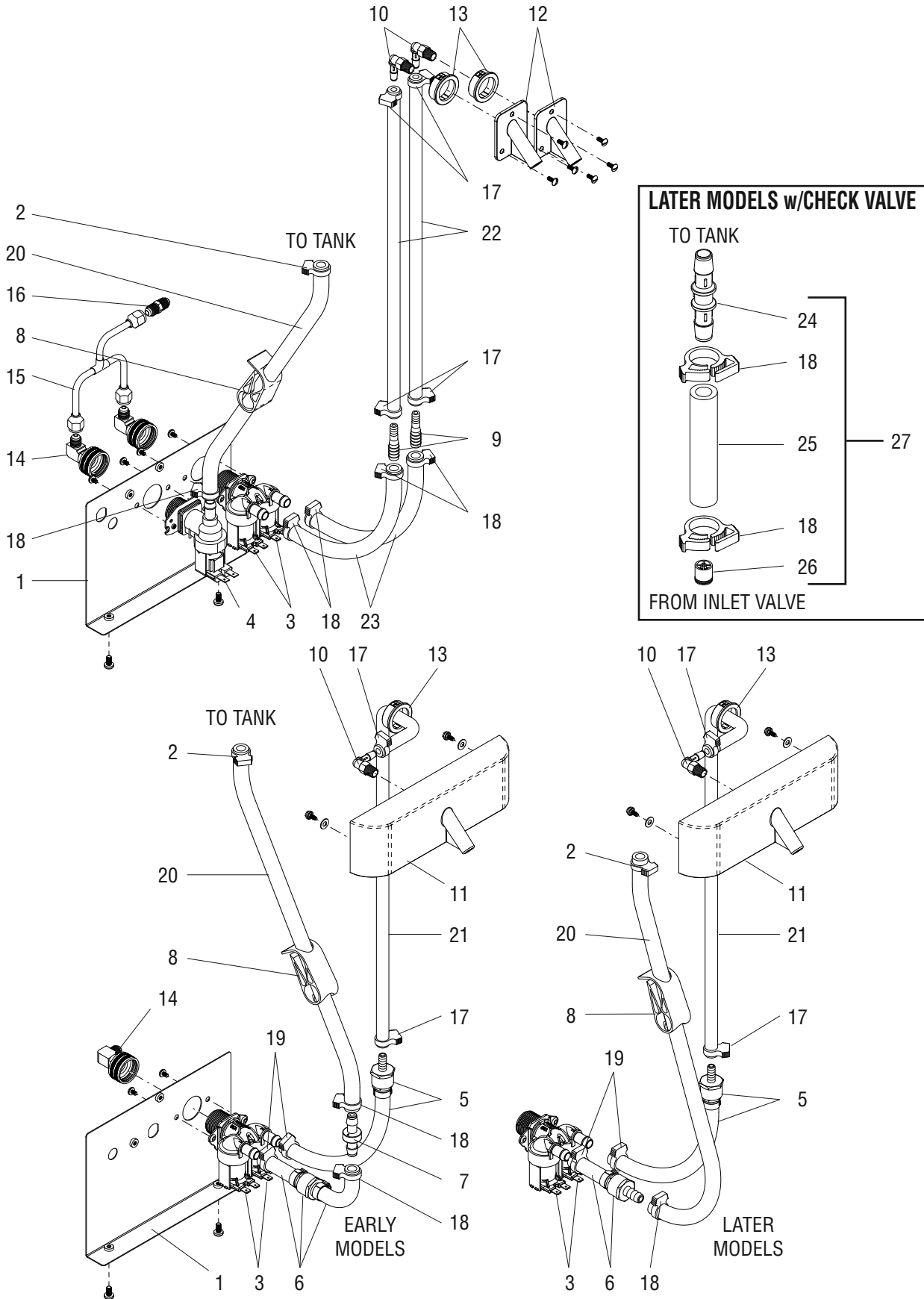
P2889

DISPENSE VALVE & SPRAYHEAD

ITEM	PART NO.	QTY.	DESCRIPTION
1	26846.0000	1	Valve, Dispense (120V)
2	32591.0023*	1	Tube .50" ID x 7.88" (Order # 9)
3	00943.0000	1	Gasket, Sprayhead Fitting
4	01075.0000	1	Nut, Hex .438"-20
5	01082.0000	1	Sprayhead, 6 Hole
6	12422.0009	2	Clamp, SNP-14
7	11517.0008	1	Repair Kit, Dispense Valve (Includes Plunger, Spring and Diaphragm)
8	38969.0001	1	Fitting, 90° Silicone
9	32591.1001	1	Tube .50" ID x 12.0"
10	34956.0004	1	Fitting

The following items are not illustrated

11	32591.1002	-	Tube .50" ID x 3 Feet
	32591.1003	-	Tube .50" ID x 10 Feet
	32591.1004	-	Tube .50" ID x 250 Feet



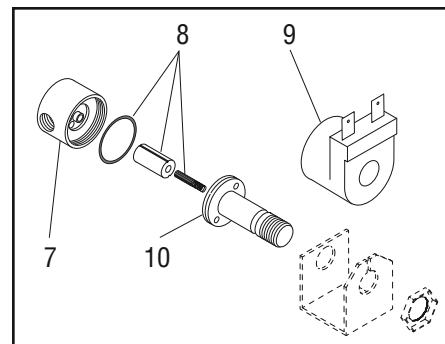
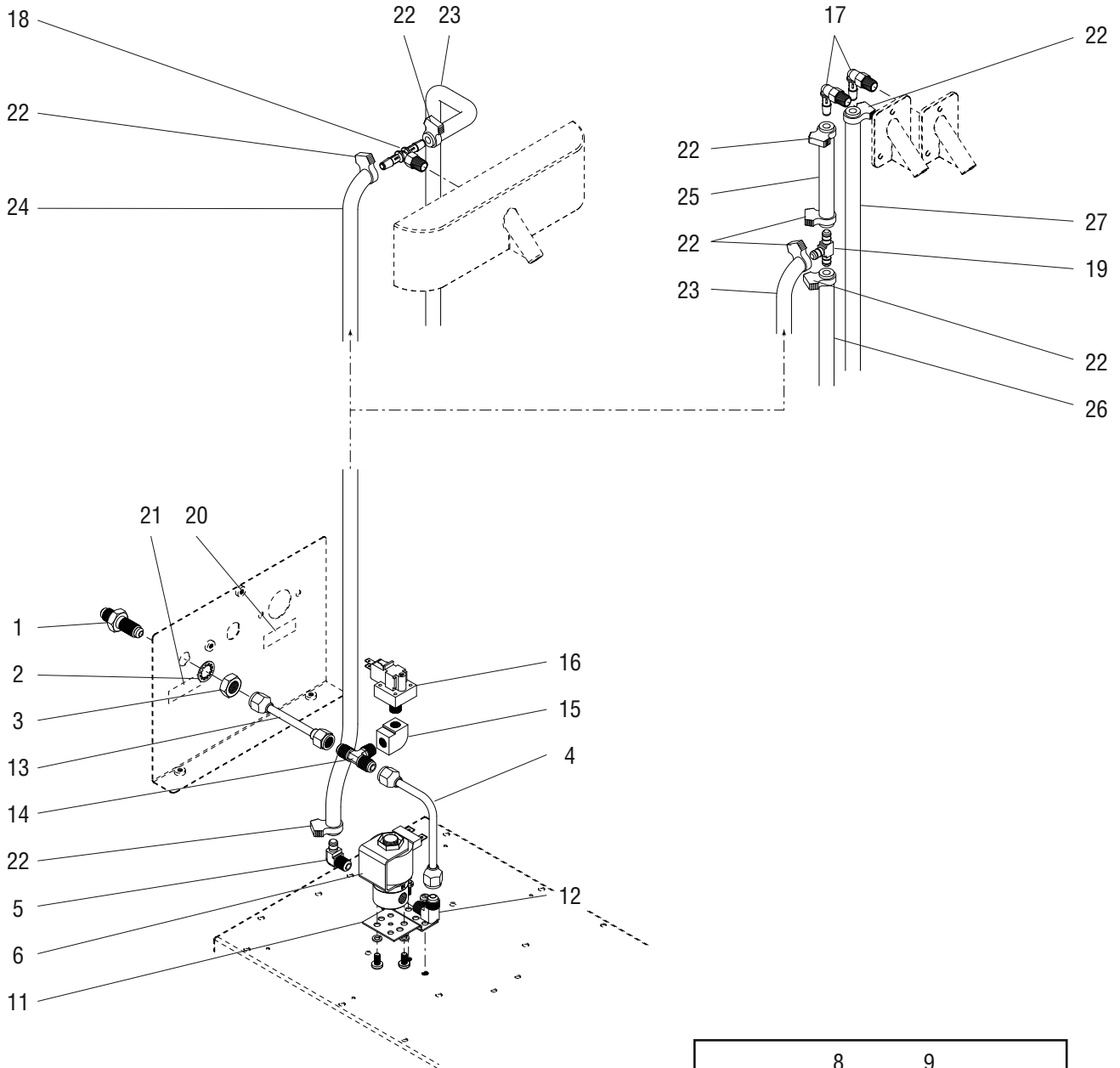
P4172.50

FILL, SINGLE DILUTION & DRAIN

ITEM	PART NO.	QTY.	DESCRIPTION	
1	36421.0006	1	Bracket, Single Dilution	
	36421.0009	1	Bracket, Dual Dilution	
	02308.0000	2	Screw, Pan Head #8-32 x .375"	
2	12422.0006	1	Clamp, Hose-Snap SNP-8	
3	43041.0000	1	Kit, Valve 120V	
	32283.0000	2	Screw, SST Slotted Panhead M4 X 6mm	
	46884.0000	1	Strainer, Inlet	
4	42025.0000	1	Kit, Valve 120V	
	32283.0000	2	Screw, SST Slotted Panhead M4 X 6mm	
	46884.0000	1	Strainer, Inlet	
5	41665.0000	1	Tube Assy, Flow Control (Dilution)	
6	41666.0000	1	Tube Assy, Flow Control (Fill) (Early Models)	
	41666.0001	1	Tube Assy, Flow Control (Fill) (Late Models)	
7	33027.0001	1	Check Valve, .375 Nylon (Early Models)	
8	11630.0001	1	Clamp, Tubing Shut Off	
9	26443.0000	2	Reducer	
10	40783.0000	1	Elbow, 1/8-27 Npt To 1/4" Barb (Also included w/dilution nozzle) (Non Sweetener)	
11	36360.1001	1	Kit, Dilution Nozzle w/Elbow (Non Sweetener Models)	
	36360.1002	1	Kit, Dilution Nozzle w/Tee (Sweetener Models)	
	02332.0005	2	Screw, Hex #6 x .38"	
	28614.0000	2	Washer	
12	03717.0000	2	Dilution Nozzle	
	01382.0002	6	Screw, TRH #6-32 x .38"	
13	01592.0001	2	Bushing 1.188" (1 less used on Single Dilution)	
14	37297.1006	1	Elbow, .25 FLR X .75 Hose THD	
15	41969.0000	1	Tube Assembly	
16	00436.0001	1	Union, .25" Flare	
17	12422.0000	2/4	Clamp, Hose-Snap SNP-6	
18	12422.0001	3/6	Clamp, Hose-Snap SNP-10	
19	12422.0005	2	Clamp, Hose-Snap SNP-12	
20	20976.0063*	1	Tube, Silicone .375 ID X 16.0 LG (All Early Models)	(Order # 29)
	20976.0068*	1	Tube, Silicone .375 ID X 19.0 LG (All Late Models)	(Order # 29)
21	11707.0032*	1	Tube, Silicone .25 ID X 19.0 LG (29" Trunk)	(Order # 28)
	11707.0042*	1	Tube, Silicone .25 ID X 10.5 LG (Low Profile)	(Order # 28)
22	11707.0004*	1	Tube, Silicone .25 ID X 18.0 LG (29" Trunk) 1 Less Used on Sweetener	
23	20976.0046*	1	Tube, Silicone .375 ID X 5.0 LG (29" Trunk)	(Order # 29)
24	45313.0000	1	Connector, Union .375x.375	
25	20976.0025*	1	Tube, Silicone .375" ID x 3.0" (Order # 27 or 29)	
26	36378.0001	1	Check Valve	
27	46028.0000	1	Kit, Check Valve	

The following items are not illustrated

28	11707.1001	-	Tube, Silicone .25" ID x 36.0" (Use as required)	
	11707.1002	-	Tube, Silicone .25" ID x 120.0" (Use as required)	
29	20976.1000	-	Tube, Silicone .375" ID x 12.0" (Use as required)	
	20976.1001	-	Tube, Silicone .375" ID x 36.0" (Use as required)	
	20976.1002	-	Tube, Silicone .375" ID x 120.0" (Use as required)	



P4173.60

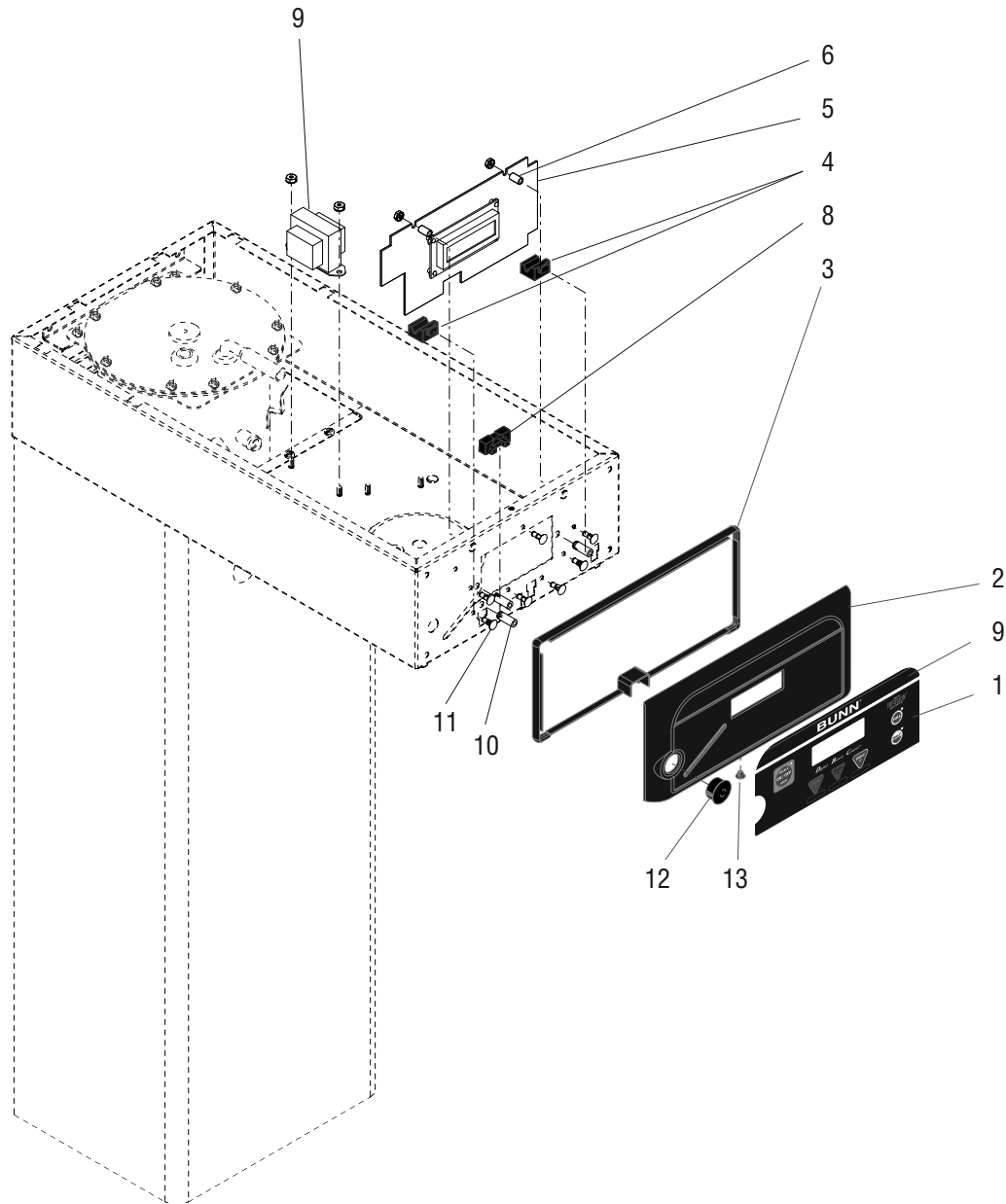
MODELS w/ SWEETENER

ITEM	PART NO.	QTY.	DESCRIPTION
1	00459.0000	1	Fitting, Bulkhead .250" Flare
2	01532.0000	1	Lockwasher, Internal Tooth .438"
3	00463.0000	1	Nut, Hex - Brass .438"-20
4	21814.0034	1	Tube Assy,
5	00464.0001	1	Elbow, Male-Tnpl.25 Barbx.
6	01085.0000	2	Solenoid Valve, 120V (Includes items 11 - 14)
	01327.0000	4	Screw, Pan Head #10-32 x .375"
	01502.0000	4	Lockwasher, Split #10
7	01079.0000	1	Solenoid Valve Base
8	01111.0000	1	Solenoid Valve Repair Kit
9	01101.0000	1	Solenoid Valve Coil, 120V
10	01116.0000	1	Guide
11	07441.0000	2	Bracket
	01315.0000	4	Screw, Truss Head #8-32 x .38"
12	00400.0001	1	Elbow .25" Flare x .125"MPT
13	38949.0000	1	Tube Assy.
14	00431.0001	1	Tee, Male Br-Tn Pl.25flrx
15	00435.0001	1	Elbow, Tin Pld .125npt F
16	38379.1000	1	Switch, Pressure-Low Product
17	40783.0000	1	Elbow (Also included w/dilution nozzle)
18	40784.0000	1	Tee (Also included w/dilution nozzle)
19	22150.0001	1	Tee
20	26371.0000	1	Decal, Water
21	26371.0001	1	Decal, Sweetener
22	12422.0000	3	Clamp, Hose - SNP 6 (3 Addl used on Dual Dil)
23	11707.0032*	1	Tube, Silicone .250" I.D. x 19.0" LG (Order # 28)
24	11707.0013*	1	Tube, Silicone .250" I.D. x 28.0" LG (Order # 28)
25	11707.0048*	1	Tube, Silicone .250" I.D. x 4.0" LG (Order # 28)
26	11707.0045*	1	Tube, Silicone .250" I.D. x 13.1" LG (Order # 28)
27	11707.0004*	1	Tube, Silicone .250" I.D. x 18.0" LG (Order # 28)

The following items are not illustrated

28	11707.1000	-	Tube, Silicone .250" I.D. x .50" O.D. x 1 Foot
	11707.1001	-	Tube, Silicone .250" I.D. x .50" O.D. x 3 Feet
	11707.1002	-	Tube, Silicone .250" I.D. x .50" O.D. x 10 Feet
	11707.1004	-	Tube, Silicone .250" I.D. x .50" O.D. x 250 Feet

* Indicates the part number listed is for reference only.

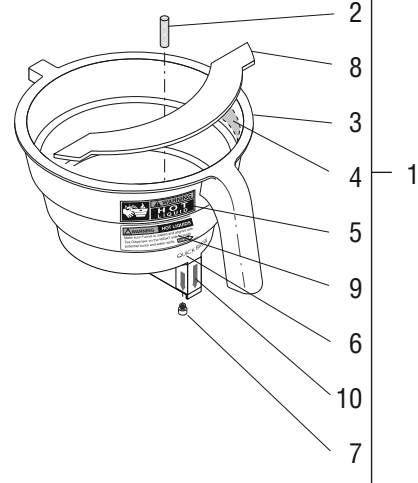
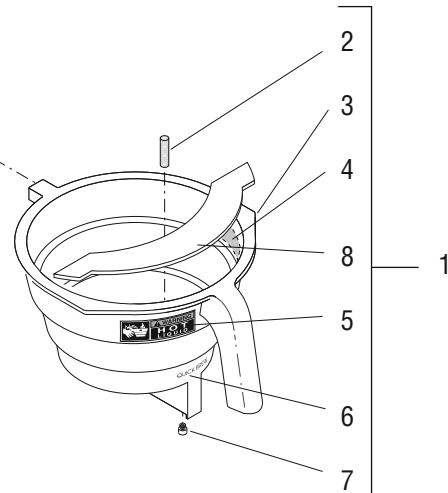
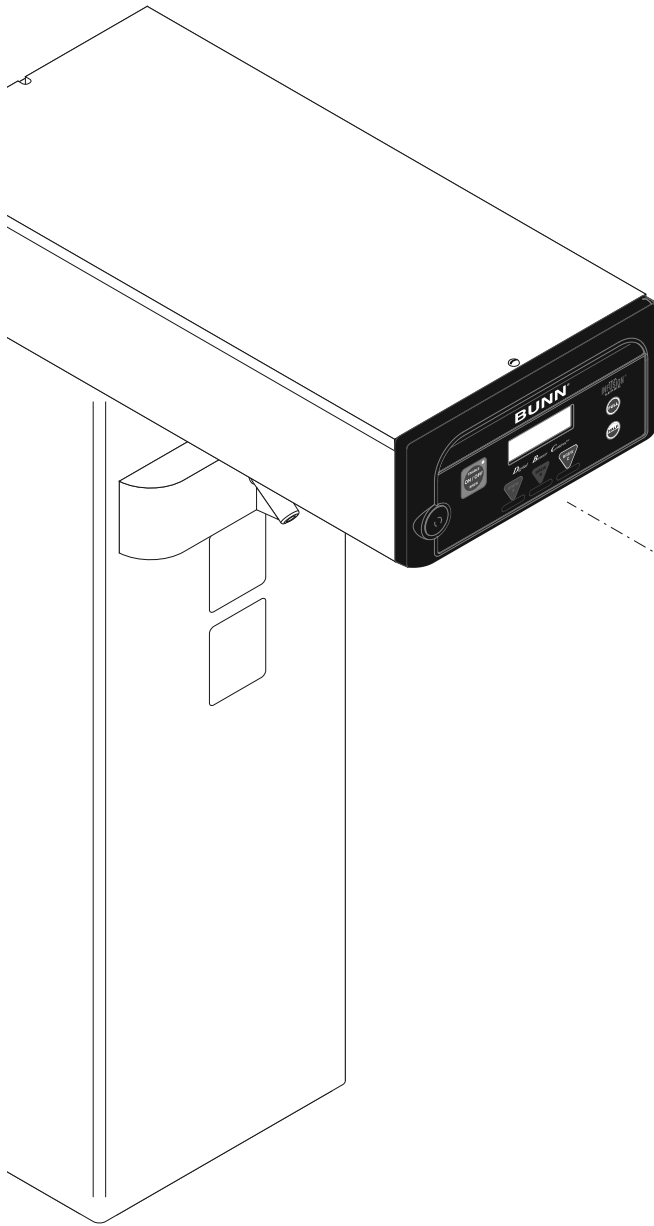


ELECTRICAL & OPERATING CONTROLS

ITEM	PART NO.	QTY.	DESCRIPTION
1	42005.0000	1	Membrane Switch
2	36359.0004	1	Bezel
	02308.0000	4	Screw, Pan Head #8-32 x .38"
	01502.0000	4	Lock Washer
3	36364.0000	1	Gasket
4	36366.0000	2	Mount, Board
5	41849.1004	1	Control Board (RoHS)
	45787.1048	1	Control Board (RoHS) For Models w/Triacs
	00973.0000	2	Nut, Keps #6-32
6	01533.0011	2	Spacer
7	34307.1001	1	Transformer
	00970.0000	2	Nut, Keps #8-32
8	36587.0000	1	Plug, Bezel
9	36368.0000	1	Decal, Top
10	29081.0004	3	Spacer
11	42234.0000	7	Standoff
12	00668.0000	1	Hole Plug .750" (Early Models)
	00669.0006	1	Hole Plug .812" (Late Models)
13	20621.0000	1	Hole Plug

The following items are not illustrated

14	42287.0000	1	Wiring Harness, Main (ITB 120V)
	48823.0002	1	Wiring Harness, Main (ITB 120V) For Models w/Triacs
	42287.0001	1	Wiring Harness, Main (ITB w/Sweetener 120V)
	48823.0003	1	Wiring Harness, Main (ITB w/Sweetener 120V) For Models w/Triacs
	42287.0002	1	Wiring Harness, Main (ITB Dual Dilution 120V)
	42287.0003	1	Wiring Harness, Main (ITB Dual Dilution w/Sweetener 120V)
	42287.0004	1	Wiring Harness, Main (ITB-LP 120V)
15	01637.0000	1	Cord, Power
16	00707.0000	1	Bushing, Strain Relief



FUNNELS

ITEM	PART NO.	QTY.	DESCRIPTION
1	03021.0004	1	Funnel Assembly, Smoke (Includes items 2 thru 8) (ITB)
	03021.0013	1	Funnel Assembly, Smoke (Includes items 2 thru 8) (Dual Dil.)
2	03284.0000	1	Adaptor W/Screen, Funnel
3	33129.0000*	1	Funnel, Brew Tea - Smoke (ITB) (Not Available. Order item 1)
	33128.0004*	1	Funnel, Brew Tea - Smoke (Dual Dil.) (Not Available. Order item 1)
4	03408.0000	1	Decal, Caution - Remove Funnel
5	03409.0000	1	Decal, Caution - Hot Liquid
6	03536.0000	1	Decal, Quick Brew
7	03407.0000	1	Funnel Tip, .082" Dia STANDARD BREW (See item 11)
	03407.0002	1	Funnel Tip, .114" Dia QUICK BREW (See Item 11)
8	32965.0003	1	Splashgard
9	41995.0000	1	Decal, Warning Rotate Funnel (Dual Dil.)
10	41996.0000	1	Decal, Funnel Dispense Tip Locator (Dual Dil.)

The following items are not illustrated

11	01037.0002	-	Funnel Tip & Screen Kit .082" Dia STANDARD BREW (Includes items 2 & 7)
	01037.0003	-	Funnel Tip & Screen Kit .114" Dia QUICK BREW (Includes items 2 & 7)

NUMERICAL INDEX

PART NO.	PAGE NO.	PART NO.	PAGE NO.	PART NO.	PAGE NO.	PART NO.	PAGE NO.
00400.0001	13	07441.0000	13	34307.1001	15	42234.0000	15
00431.0001	13	11517.0008	9	34956.0004	9	42287.0000	15
00435.0001	13	11630.0001	11	36353.0029	5	42287.0001	15
00436.0001	11	11707.0004	11,13	36354.0005	5	42287.0002	15
00459.0000	13	11707.0013	13	36354.0010	5	42287.0003	15
00463.0000	13	11707.0032	11,13	36354.0005	5	42287.0004	15
00464.0001	13	11707.0042	11	36355.1006	5	42377.0000	5
00656.0001	5	11707.0045	13	36355.1010	5	43041.0000	11
00658.0000	5	11707.0048	13	36356.1206	5	43235.0001	11
00668.0000	15	11707.1000	13	36359.0003	15	45313.0000	11
00669.0006	15	11707.1001	11,13	36360.1001	11	45787.1048	15
00707.0000	15	11707.1002	11,13	36360.1002	11	46884.0000	11
00824.0002	5	11707.1004	13	36362.0005	5	47898.1003	5
00908.0000	7	12422.0000	11,13	36364.0000	15	48823.0002	15
00942.0000	7	12422.0001	11	36366.0000	15	48823.0003	15
00943.0000	7,9	12422.0005	7,11	36368.0000	15	48835.0000	5
00970.0000	5,15	12422.0009	9	36378.0001	11		
00973.0000	15	20203.0100	7	36412.0000	5		
00986.0000	5	20621.0000	15	36421.0006	11		
01037.0002	17	20976.0025	11	36421.0009	11		
01037.0003	17	20976.0046	11	36461.0000	5		
01075.0000	9	20976.0063	11	36462.0000	5		
01079.0000	13	20976.0068	11	36587.0000	15		
01082.0000	9	20976.1000	11	36594.0003	5		
01085.0000	13	20976.1001	11	36877.0001	5		
01101.0000	13	20976.1002	11	36923.0003	5		
01111.0000	13	21814.0034	13	36997.1001	5		
01116.0000	13	22150.0001	13	37297.1006	11		
01308.0000	5	24600.0000	5	37538.0001	5		
01311.0001	5	25137.0001	5	37573.0000	5		
01315.0000	13	25151.0002	5	37804.0000	5		
01317.0003	5	26371.0000	13	37881.0000	5		
01327.0000	13	26371.0001	13	38114.0000	7		
01382.0002	11	26443.0000	11	38379.1000	13		
01501.0000	7	26528.0001	5	38580.1012	5		
01502.0000	13,15	26846.0000	9	38589.0000	5		
01532.0000	13	28614.0000	11	38589.0001	5		
01533.0011	15	28735.0000	7	38949.0000	13		
01592.0001	11	29007.0005	5	38969.0001	7,9		
01637.0000	15	29081.0004	15	39085.1001	7		
02308.0000	5,11,15	29279.0000	7	39175.0000	5		
02332.0002	5	29329.1000	7	40281.1000	11		
02332.0005	11	32283.0000	11	40506.0010	11		
02755.1001	7	32591.0023	9	40783.0000	11,13		
03021.0004	17	32591.1001	9	40784.0000	13		
03021.0013	17	32591.1002	9	41665.0000	11		
03284.0000	17	32591.1003	9	41666.0000	11		
03407.0000	17	32591.1004	9	41666.0001	11		
03407.0002	17	32965.0003	17	41849.1004	15		
03408.0000	17	33027.0001	11	41948.0000	5		
03409.0000	17	33128.0004	17	41948.0001	5		
03536.0000	17	33129.0000	17	41969.0000	11		
03717.0000	11	33801.0003	7	41995.0000	17		
03996.0000	5	33937.0003	7	41996.0000	17		
04221.0000	7	34074.1030	7	42005.0000	15		
07412.1002	7	34118.0001	15	42025.0000	11		