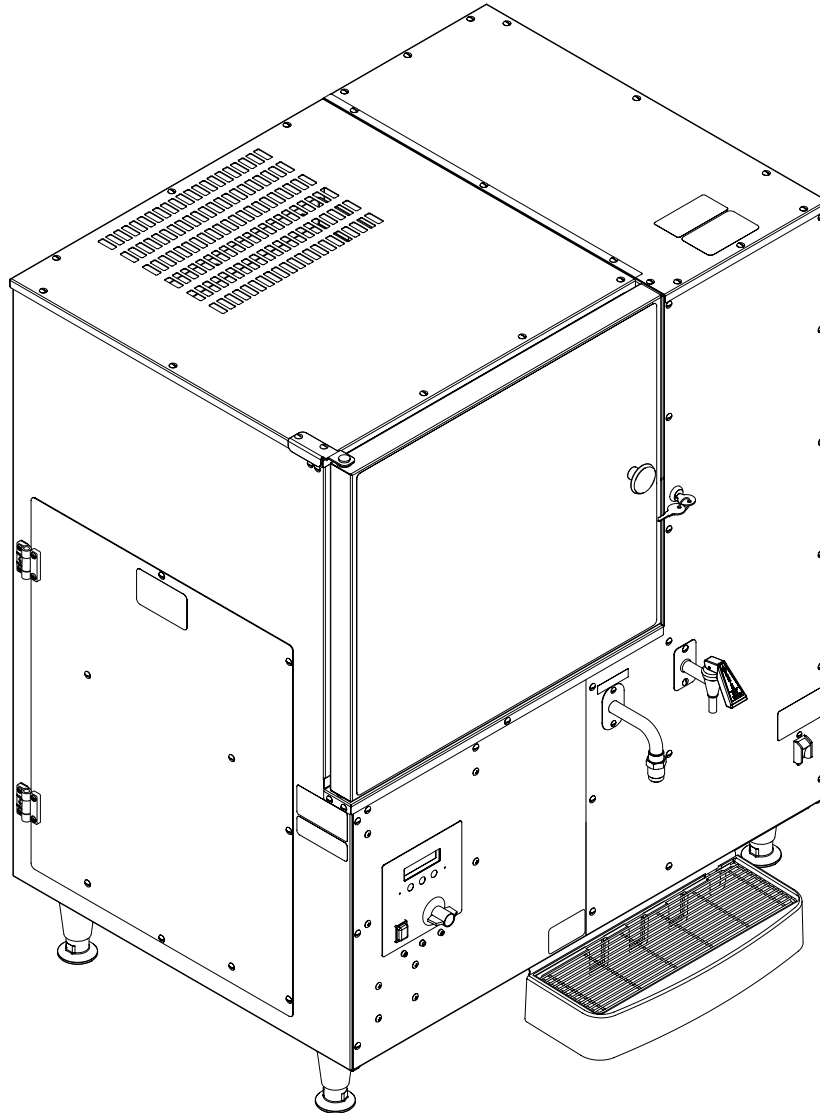


BUNN® *LCR-3 HV*

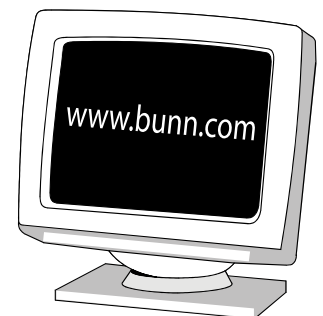


ILLUSTRATED PARTS CATALOG

Designs, materials, weights, specifications, and dimensions for equipment or replacement parts are subject to change without notice.

BUNN-O-MATIC CORPORATION

POST OFFICE BOX 3227
SPRINGFIELD, ILLINOIS 62708-3227
PHONE: (217) 529-6601 FAX: (217) 529-6644



BUNN-O-MATIC COMMERCIAL PRODUCT WARRANTY

Bunn-O-Matic Corp. ("BUNN") warrants equipment manufactured by it as follows:

- 1) Airpots, thermal carafes, decanters, GPR servers, iced tea/coffee dispensers, MCR/MCP/MCA single cup brewers, thermal servers and ThermoFresh® servers (mechanical and digital) 1 year parts and 1 year labor.
- 2) All other equipment - 2 years parts and 1 year labor plus added warranties as specified below:
 - a) Electronic circuit and/or control boards - parts and labor for 3 years.
 - b) Compressors on refrigeration equipment - 5 years parts and 1 year labor.
 - c) Grinding burrs on coffee grinding equipment to grind coffee to meet original factory screen sieve analysis - parts and labor for 4 years or 40,000 pounds of coffee, whichever comes first.

These warranty periods run from the date of installation BUNN warrants that the equipment manufactured by it will be commercially free of defects in material and workmanship existing at the time of manufacture and appearing within the applicable warranty period. This warranty does not apply to any equipment, component or part that was not manufactured by BUNN or that, in BUNN's judgment, has been affected by misuse, neglect, alteration, improper installation or operation, improper maintenance or repair, non periodic cleaning and descaling, equipment failures related to poor water quality, damage or casualty. In addition, the warranty does not apply to replacement of items subject to normal use including but not limited to user replaceable parts such as seals and gaskets. This warranty is conditioned on the Buyer 1) giving BUNN prompt notice of any claim to be made under this warranty by telephone at (217) 529-6601 or by writing to Post Office Box 3227, Springfield, Illinois 62708-3227; 2) if requested by BUNN, shipping the defective equipment prepaid to an authorized BUNN service location; and 3) receiving prior authorization from BUNN that the defective equipment is under warranty.

THE FOREGOING WARRANTY IS EXCLUSIVE AND IS IN LIEU OF ANY OTHER WARRANTY, WRITTEN OR ORAL, EXPRESS OR IMPLIED, INCLUDING, BUT NOT LIMITED TO, ANY IMPLIED WARRANTY OF EITHER MERCHANTABILITY OR FITNESS FOR A PARTICULAR PURPOSE. The agents, dealers or employees of BUNN are not authorized to make modifications to this warranty or to make additional warranties that are binding on BUNN. Accordingly, statements by such individuals, whether oral or written, do not constitute warranties and should not be relied upon.

If BUNN determines in its sole discretion that the equipment does not conform to the warranty, BUNN, at its exclusive option while the equipment is under warranty, shall either 1) provide at no charge replacement parts and/or labor (during the applicable parts and labor warranty periods specified above) to repair the defective components, provided that this repair is done by a BUNN Authorized Service Representative; or 2) shall replace the equipment or refund the purchase price for the equipment.

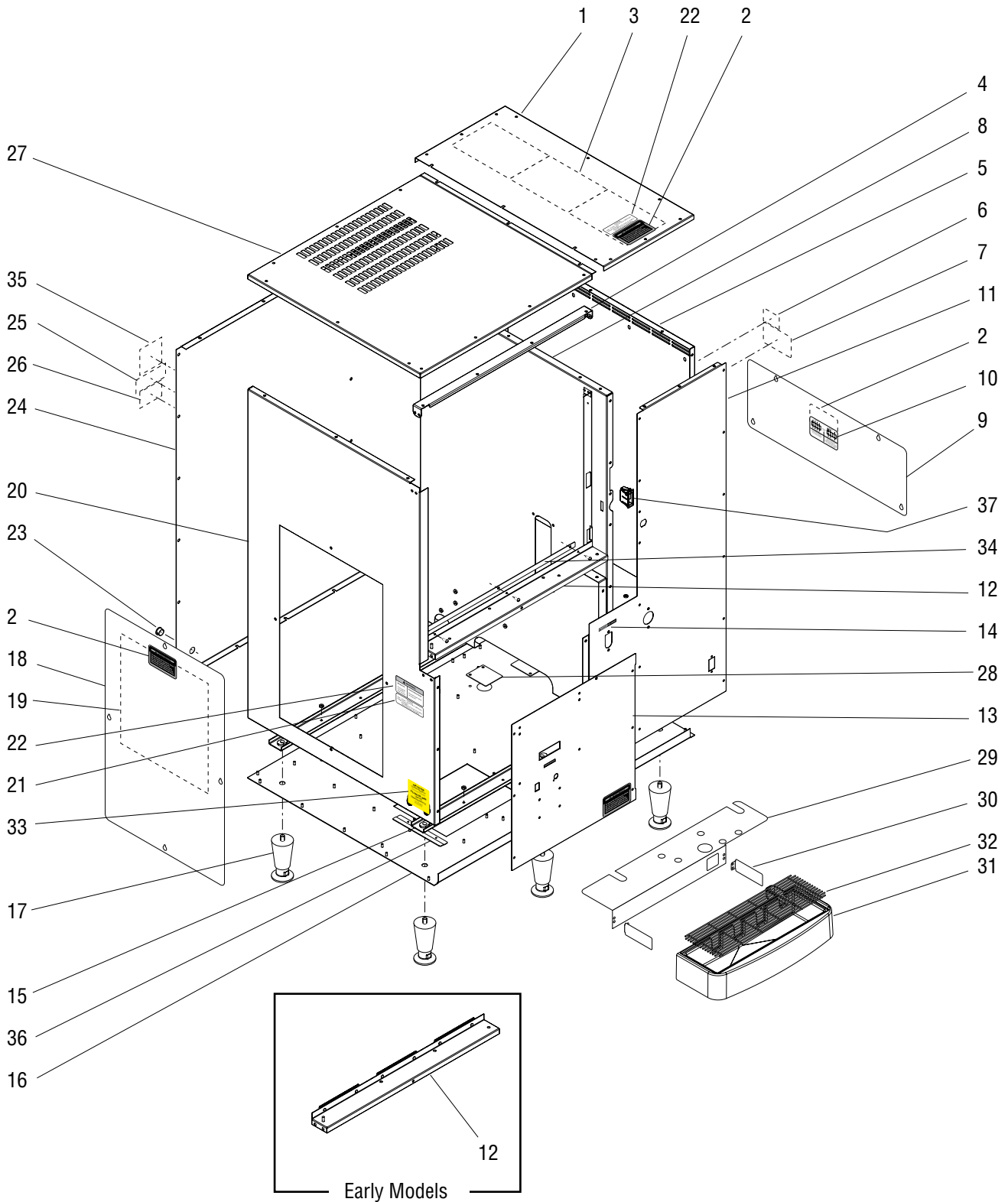
THE BUYER'S REMEDY AGAINST BUNN FOR THE BREACH OF ANY OBLIGATION ARISING OUT OF THE SALE OF THIS EQUIPMENT, WHETHER DERIVED FROM WARRANTY OR OTHERWISE, SHALL BE LIMITED, AT BUNN'S SOLE OPTION AS SPECIFIED HEREIN, TO REPAIR, REPLACEMENT OR REFUND.

In no event shall BUNN be liable for any other damage or loss, including, but not limited to, lost profits, lost sales, loss of use of equipment, claims of Buyer's customers, cost of capital, cost of down time, cost of substitute equipment, facilities or services, or any other special, incidental or consequential damages.

392, A Partner You Can Count On, Air Infusion, AutoPOD, AXIOM, BrewLOGIC, BrewMETER, Brew Better Not Bitter, BrewWISE, BrewWIZARD, BUNN Espresso, BUNN Family Gourmet, BUNN Gourmet, BUNN Pour-O-Matic, BUNN, BUNN with the stylized red line, BUNNlink, Bunn-O-Matic, Bunn-O-Matic, BUNNserve, BUNNSERVE with the stylized wrench design, Cool Froth, DBC, Dr. Brew stylized Dr. design, Dual, Easy Pour, EasyClear, EasyGard, FlavorGard, Gourmet Ice, Gourmet Juice, High Intensity, iMIX, Infusion Series, Intellisteam, My Café, Phase Brew, PowerLogic, Quality Beverage Equipment Worldwide, Respect Earth, Respect Earth with the stylized leaf and coffee cherry design, Safety-Fresh, savemycoffee.com, Scale-Pro, Silver Series, Single, Smart Funnel, Smart Hopper, SmartWAVE, Soft Heat, SplashGard, The Mark of Quality in Beverage Equipment Worldwide, ThermoFresh, Titan, trifacta, TRIFECTA (stylized logo), Velocity Brew, Air Brew, Beverage Bar Creator, Beverage Profit Calculator, Brew better, not bitter., Build-A-Drink, BUNNSource, Coffee At Its Best, Cyclonic Heating System, Daypart, Digital Brewer Control, Element, Milk Texturing Fusion, Nothing Brews Like a BUNN, Picture Prompted Cleaning, Pouring Profits, Signature Series, Sure Tamp, Tea At Its Best, The Horizontal Red Line, Ultra are either trademarks or registered trademarks of Bunn-O-Matic Corporation. The commercial trifacta® brewer housing configuration is a trademark of Bunn-O-Matic Corporation.

TABLE OF CONTENTS

TITLE	PAGE NO.
Housing & Panels	4
Door Assembly	8
Cabinet Assembly	10
Refrigeration Components	12,16
Compressor Assy.....	20,22
Tank & Mounting	24
Tank Assembly	26
Dispense Valves & Lines	28
Pump Assembly	32
Electrical Components	34
Numerical Index.....	38



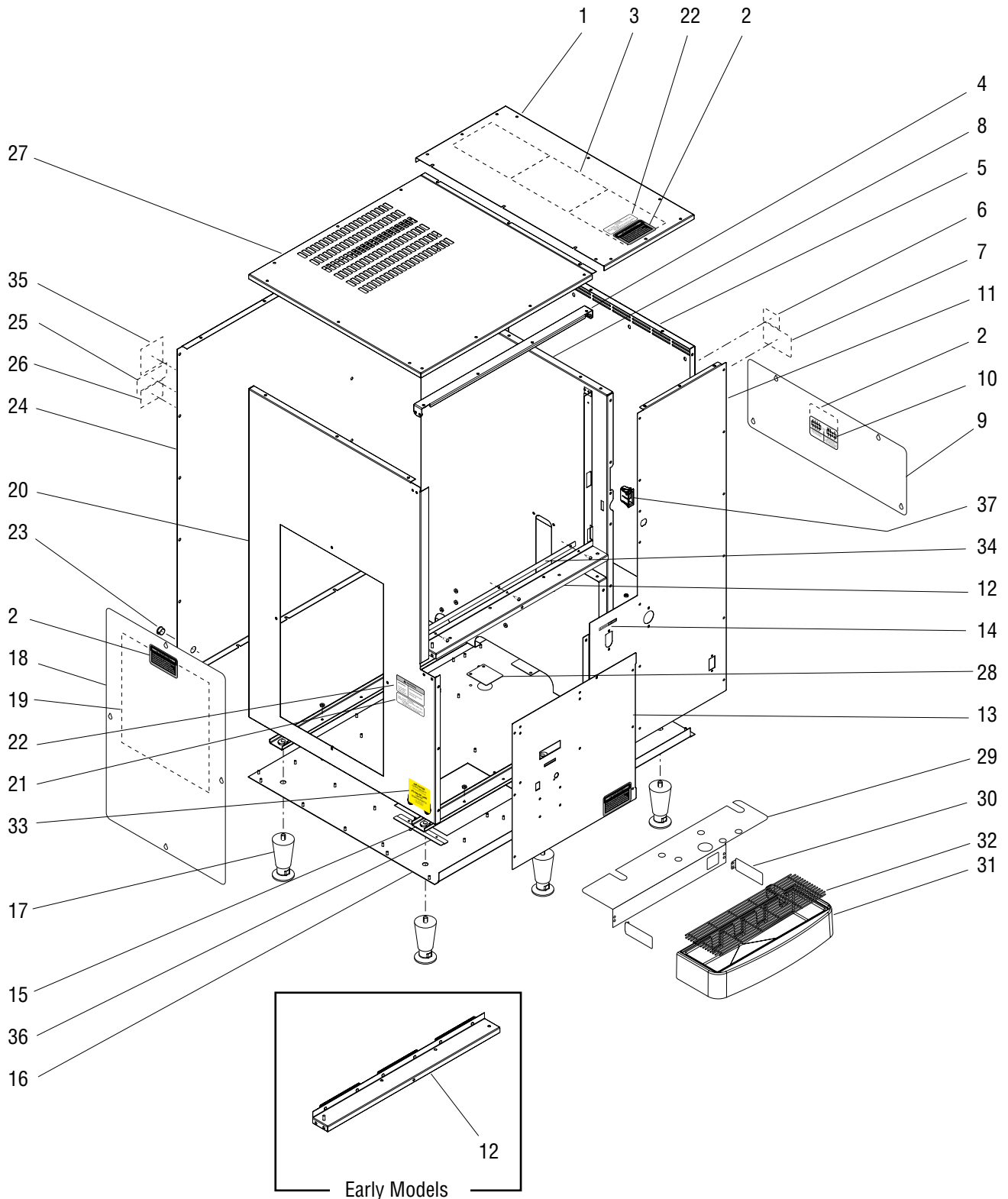
HOUSING & PANELS

ITEM	PART NO.	QTY.	DESCRIPTION
1	40888.1000	1	Cover Assy w/decals, Top Right (Includes items 2, 3 & 22)
	01311.0000	13	Screw, Truss Head #8-32 x .25"
2	37881.0000	4	Decal, No Serviceable Parts
3	25151.0008	3	Shield
4	40520.0000	1	Bracket, Upper Cabinet
	01311.0000	4	Screw, Truss Head #8-32 x .25"
5	40215.1000	1	Panel, Right Side (Includes items 6 & 7)
	01311.0000	8	Screw, Truss Head #8-32 x .25"
	00908.0000	5	Nut, Hex #8-32
6	27508.0000	1	Decal, Caution - Circuit Connection
7	28181.0004	1	Decal, Optional Field Wiring
8	40219.0001	1	Panel, Center
	40219.0002	1	Panel, Center (Models with improved left front access panel)
	00908.0000	4	Nut, Hex #8-32
9	40528.1000	1	Panel, Right Access (Includes items 2 & 10)
	01311.0000	4	Screw, Truss Head #8-32 x .25"
10	37947.0002	1	Decal, Field Wiring
11	40526.0000	1	Panel, Front Right
	40526.0001	1	Panel, Front Right (Includes item 14)(Models with improved left front access panel)
	01311.0000	16	Screw, Truss Head #8-32 x .25"
12	40518.1001	1	Bracket, Lower Cabinet (Early Models)
	40518.1002	1	Bracket, Lower Cabinet (Late Models)
	40518.0003	1	Bracket, Lower (Models with improved left front access panel)
	01311.0000	4	Screw, Truss Head #8-32 x .25"
13	40882.1000	1	Panel, Left Front (Includes item 14)
	40882.0002	1	Panel, Left Front (Models with improved left front access panel)
	01311.0000	3	Screw, Truss Head #8-32 x .25"
14	37280.0000	1	Decal, Hot Liquids
15	40213.0000	2	Support, Leg
	00908.0000	8	Nut, Hex #8-32
16	43069.0000	1	Base
17	40041.0000	6	Leg
18	40527.1000	1	Panel, Left Access (Includes items 2 & 19)
	01311.0000	4	Screw, Truss Head #8-32 x .25"
19	41172.0000	1	Schematic, Electrical
20	40217.1000	1	Panel, Left Side (Includes items 21 & 22)
	01311.0000	4	Screw, Truss Head #8-32 x .25"
	00908.0000	5	Nut, Hex #8-32

(Continued)

* Indicates the part number listed is for reference only. See DESCRIPTION for possible service replacement.

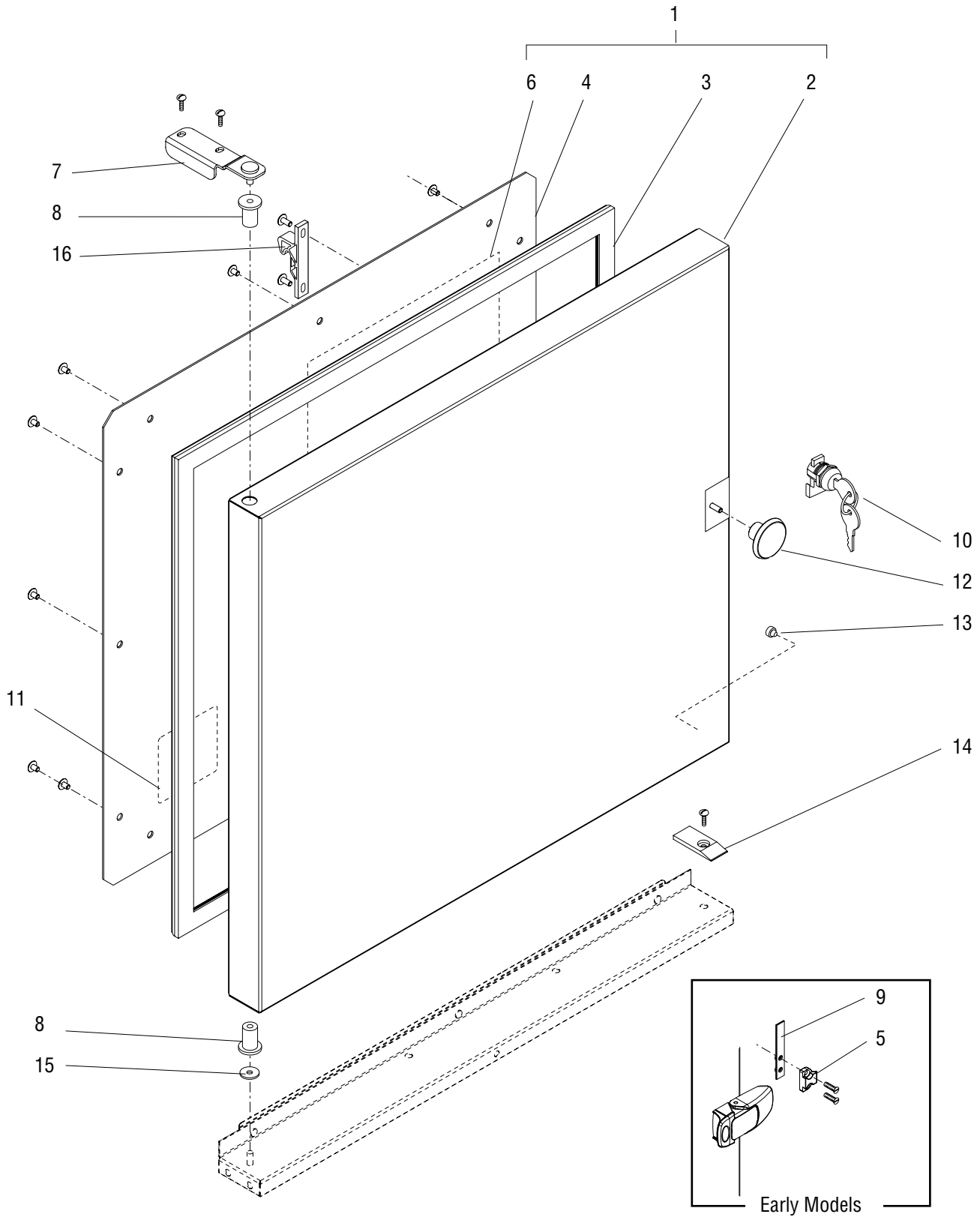
(Continued)



HOUSING & PANELS

ITEM	PART NO.	QTY.	DESCRIPTION
21	33461.0004	1	Decal, Refrigerant Charge (Cubigel Compressor)
	33461.0006	1	Decal, Refrigerant Charge (LG Compressor)
22	27442.0000	2	Decal, Warning - Moving Parts
23	00669.0000	1	Plug, Nylon BLK
24	43067.1000	1	Panel, Rear (Includes items 25 & 26)
	01311.0000	18	Screw, Truss Head #8-32 x .25"
	00908.0000	5	Nut, Hex #8-32
25	00656.0001	1	Decal, Comply to Plumbing Code
26	00986.0002	1	Decal, Warning - Electrical
27	40259.0000	1	Cover, Top Left
	01311.0000	10	Screw, Truss Head #8-32 x .25"
28	41394.0000	2	Cover
	01315.0000	4	Screw, Truss Head, Slotted #8-32 x .38"
29	41514.0000	1	Bracket, Drip Tray
30	38617.0001	2	Bracket
	01317.0000	4	Screw, Truss Head, Slotted #8-32 x .50"
31	38764.1001	1	Drip Tray & Grate (Includes item 32)
32	39613.0000	1	Grate, Drip Tray
33	40054.0000	1	Decal, Air Filter
33	41656.0000	-	Drip Tray Kit (Includes items 29 - 32)
34	43895.0000	1	Support, Cabinet (Late Models)
	01380.0000	3	Screw, Truss Head #6-32 x .50"
35	44860.0000	1	Decal, Alternate Water/Electrical Location
36	38107.0001*	1	Bracket
	02368.0000*	2	Rivet
37	48978.0000	1	Catch, Snap-in (Models with second type door assy)

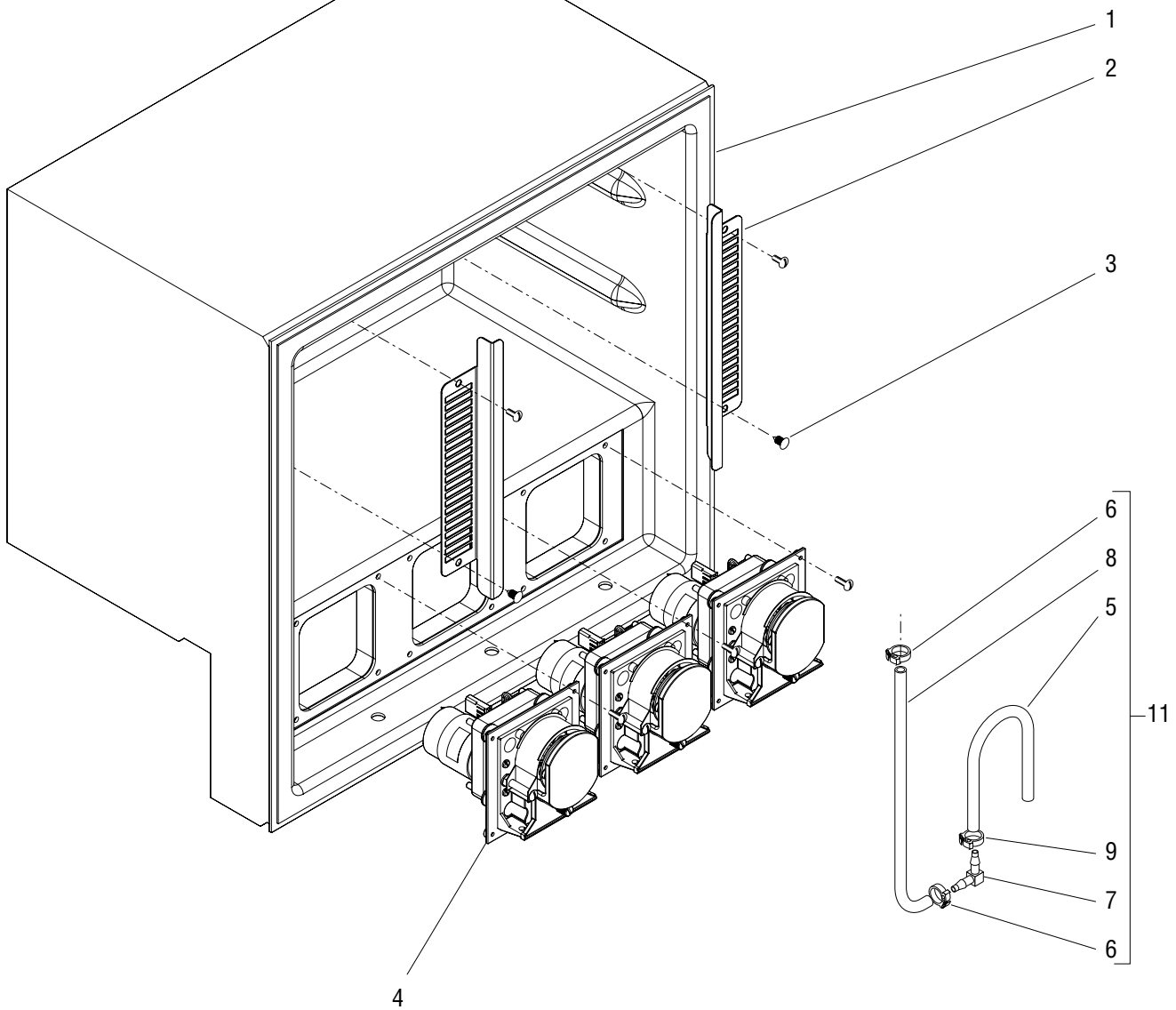
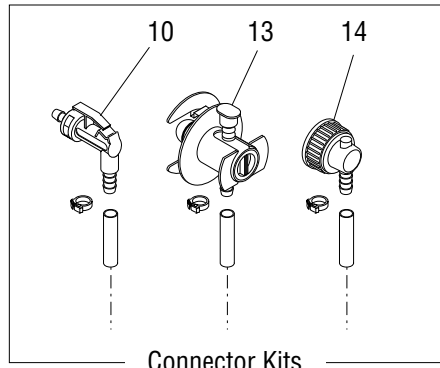
* Indicates the part number listed is for reference only. See DESCRIPTION for possible service replacement.



DOOR ASSY

ITEM	PART NO.	QTY.	DESCRIPTION
1	40254.1000	1	Door Assy w/decals (Doors with Spring Latch)(Includes item 2 - 6 & 8)
	40254.1001	1	Door Assy w/decals (Doors with Knob)(Includes item 2 - 4, 8 & 12)
2	40227.0000*	1	Door, Foamed (Doors with Spring Latch)
	40227.0001*	1	Door, Foamed (Doors with Knob)
3	41513.0000	1	Seal
4	40253.1000	1	Panel Assy, Inner Door (Includes items 6 & 11)
	01311.0000	12	Screw, Truss Head #8-32 x .25"
5	40872.0002*	1	Keeper (Early Models)
	01362.0000	2	Screw
6	34809.0003	1	Decal, Maintenance
7	40540.0001	1	Plate, Door Hinge
	36154.0000	2	Screw
	01511.0000	2	Lockwasher
8	40538.0000	2	Bushing
9	40535.0000	1	Plate, Keeper (Early Models)
10	32863.1000	1	Keylock w/keys
	28095.0000	1	Key Set (Includes 2 Keys)
11	40054.0000	1	Decal, Air Filter
12	48911.0000	1	Knob
13	34394.0001	1	Bumper, Plug
14	49119.0000	1	Ramp
	02308.0000	1	Screw
15	43951.0000	1	Washer
16	34667.0000	1	Latch, Door
	02308.0000	2	Screw, Pan Head #8-32 x .38"
17	40540.1001	-	Door Hinger Retrofit Kit (Includes items 7, 13 - 15)

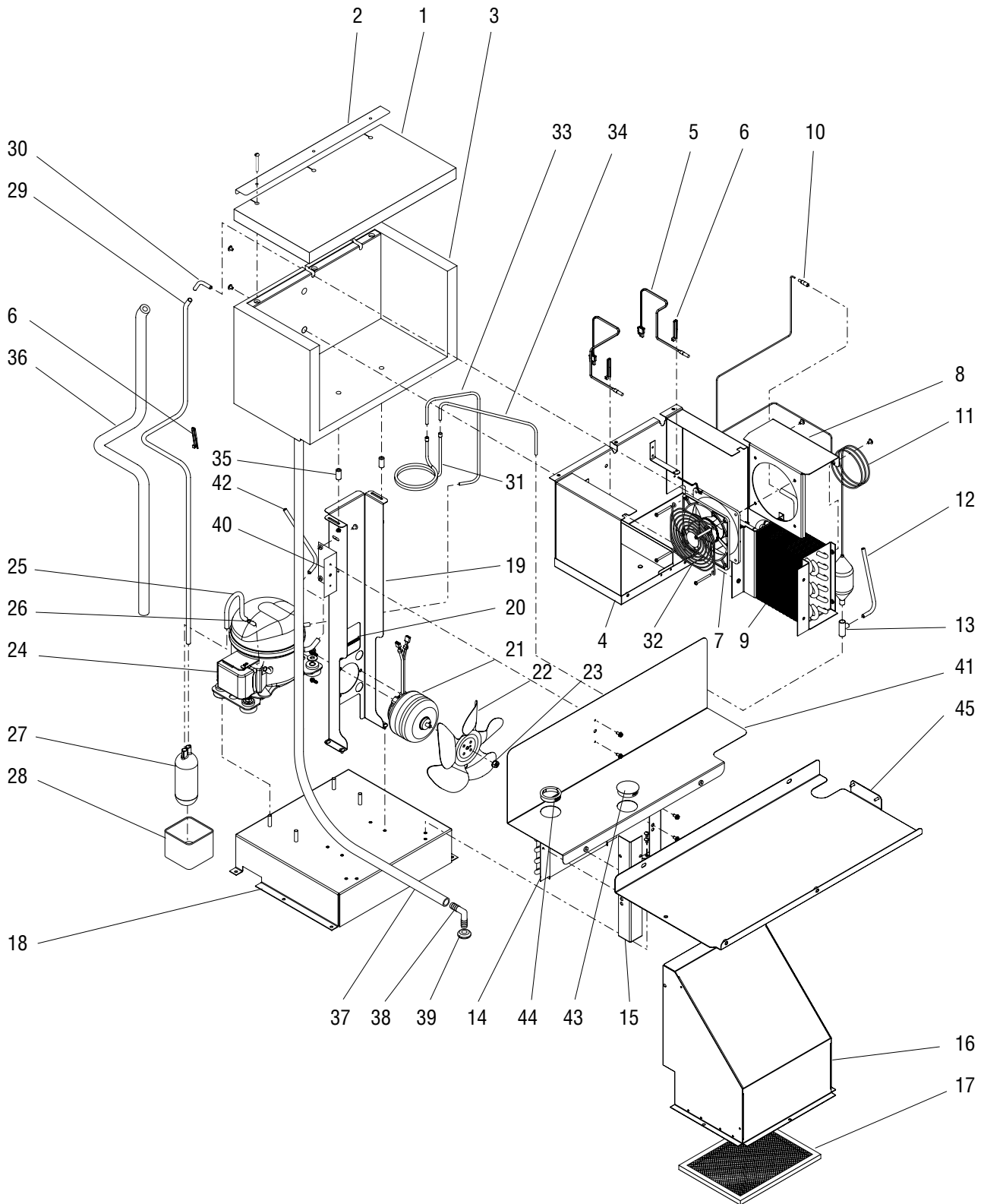
* Indicates the part number listed is for reference only. See DESCRIPTION for possible service replacement.



CABINET ASSY

ITEM	PART NO.	QTY.	DESCRIPTION
1	40229.0000*	1	Cabinet Assy, Foamed
2	40221.0000*	2	Cover, Vent
	01315.0000	2	Screw, Truss Head, Slotted #8-32 x .38"
3	36149.0000	2	Fastener
4	-----	3	Pump Assy (See PUMP ASSY)
	01317.0000	12	Screw, Truss Head, Slotted #8-32 x .50"
5	28755.1007	1	Tube, Norprene .25" ID x 9.0"
6	12422.0011	2	Clamp .40/.45"
7	32656.0000	1	Fitting, Elbow .25" x .38" barb
8	11707.0008*	1	Tube, Silicone .25" ID x 12.5" (Order item 15)
	11707.0027*	1	Tube, Silicone .25" ID x 26.0" (Order item 15)
9	12422.0001	1	Clamp .59/.66"
10	35054.0000	1	Connector
11	41235.1000	1	Tube Kit (Includes 3 each of items 5 - 9 & 12)(12.5" Tube)
	41235.1001	1	Tube Kit (Includes 3 each of items 5 - 9 & 12)(26.0" Tube)
12	M2531.0001	-	Lube Compound .30 oz.
13	33160.0000	1	Connector
14	35057.0001	1	Connector
15	11707.1000	-	Tube, Silicone .25" ID x 12.0" (Use as required)
	11707.1001	-	Tube, Silicone .25" ID x 36.0" (Use as required)
	11707.1002	-	Tube, Silicone .25" ID x 120.0" (Use as required)
16	40800.0200	-	Tube & Adapter Kit (Includes 3 each of items 10 & 11)
	40800.0201	-	Tube & Adapter Kit (Includes 3 each of items 14 & 11)
	40800.0202	-	Tube & Adapter Kit (Includes 3 each of items 13 & 11)
	40800.0205	-	Tube Kit (Includes 3 of items 11)(26.0" Tube)(Used in Reduced Flow Rate applications)

* Indicates the part number listed is for reference only. See DESCRIPTION for possible service replacement.



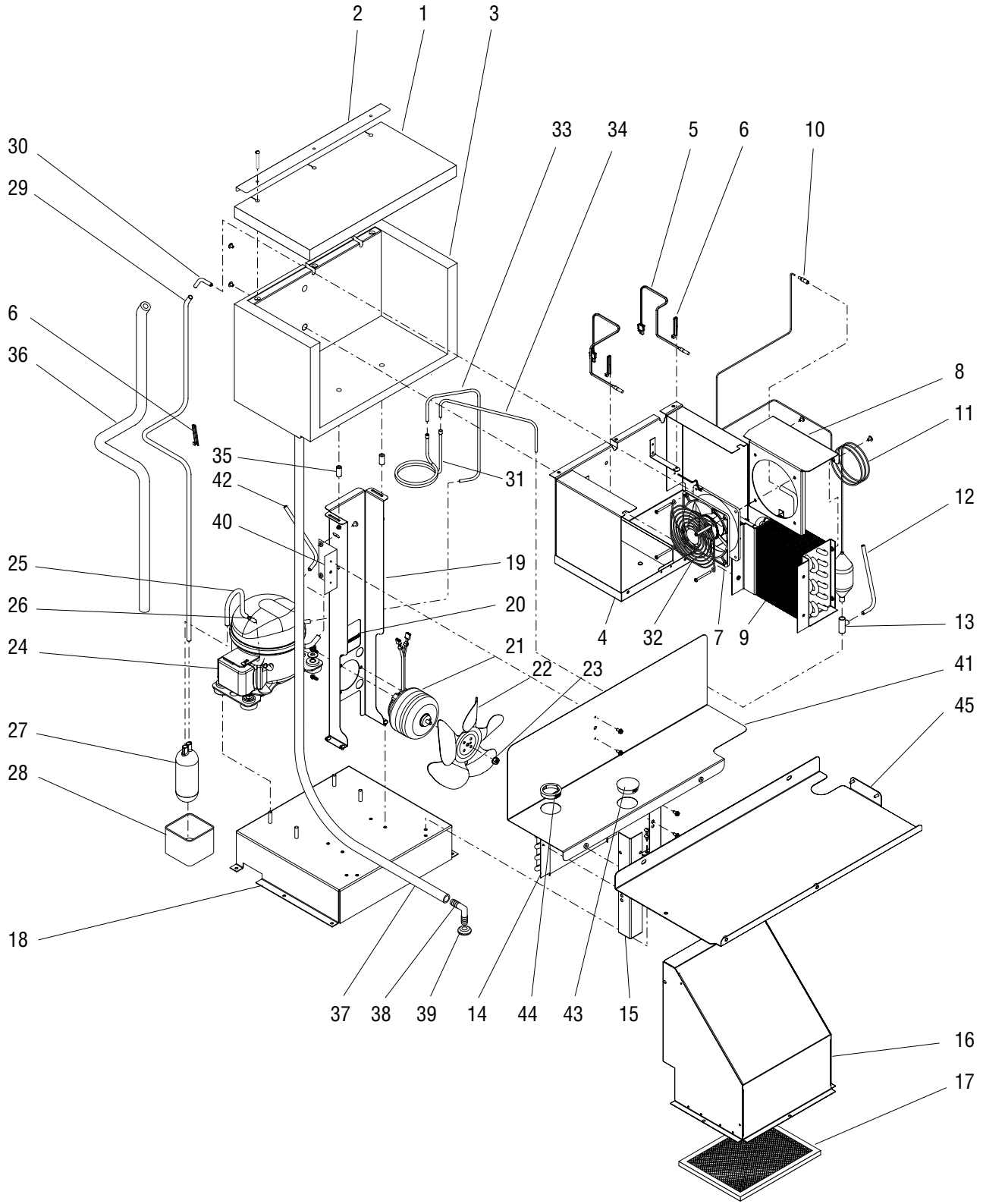
REFRIGERATION COMPONENTS (CUBIGEL COMPRESSOR)

ITEM	PART NO.	QTY.	DESCRIPTION
1	40255.0000	1	Foam, Evapoator Top
2	40256.0000	1	Strap
	01384.0002	3	Screw, Truss Head, Slotted #8-32 x 2.0"
3	40541.0000*	1	Foam, Evaporator
	01311.0001	2	Screw, Truss Head, Locking #8-32 x .25"
	00906.0000	2	Nut, Hex #6-32
4	40235.0000*	1	Pan, Evaporator
5	34803.1000	2	Sensor
6	00617.0000	3	Cable Tie
7	33297.0002	1	Fan
	02370.0003	4	Screw, Pan Head, Slotted #6-32 x 1.50"
8	40889.0000	1	Bracket, Evaporator Fan
	01311.0001	2	Screw, Truss Head, Locking #8-32 x .25"
9	35823.0000*	1	Evaporator
	01311.0001	2	Screw, Truss Head, Locking #8-32 x .25"
10	28925.0000	1	Adapter, Reducer (Requires brazing to install)
11	35176.0000	1	Filter Dryer (Requires brazing to install)
12	38937.0000	1	Tube, Process (Requires brazing to install)
13	00396.0002	1	Tee, Reducer (Requires brazing to install)
14	29951.0002	1	Condenser
	02335.0001	4	Screw, Hex, Crimptite #8 x .38"
15	40234.0000	2	Bracket, Condenser Mtg
	01311.0001	4	Screw, Truss Head, Locking #8-32 x .25"
16	40241.0000	1	Air Duct
	01311.0001	3	Screw, Truss Head, Locking #8-32 x .25"
	00908.0000	3	Nut, Hex #8-32
	01311.0000	2	Screw, Truss Head #8-32 x .25"
	00970.0000	2	Nut, Keps #8-32
17	35164.1001	1	Air Filter Assy (Includes Velcro® Straps)
18	40232.0001	1	Base, Refrigeration
	00908.0000	6	Nut, Hex #8-32
19	40220.0000	1	Panel, Fan Mtg
	01311.0000	4	Screw, Truss Head #8-32 x .25"
20	38278.0008*	1	Edging, Adhesive Lined 2.5" (Order item 47)
21	33603.0000	1	Motor, Fan
	27243.0000	3	Screw
22	33602.0000	1	Blade, Fan
23	23700.0000	1	Nut, Keps .25-20

(Continued)

* Indicates the part number listed is for reference only. See DESCRIPTION for possible service replacement.

(Continued)



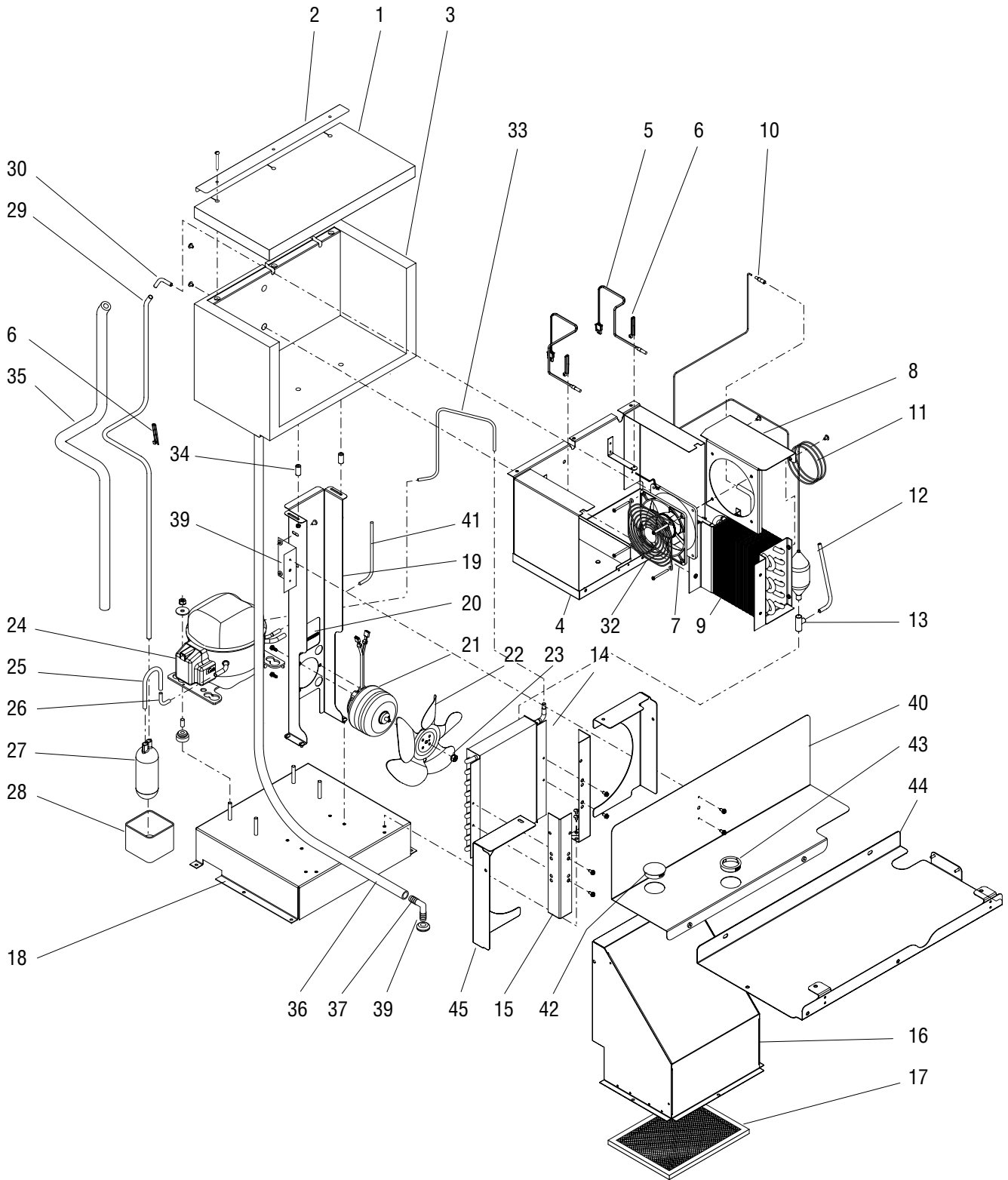
REFRIGERATION COMPONENTS (CUBIGEL COMPRESSOR)

ITEM	PART NO.	QTY.	DESCRIPTION
24	-----	1	Compressor (See COMPRESSOR COMPONENTS)
	34529.0000*	4	Washer, Flat
	00901.0000	4	Nut, Hex .25-20
25	40248.0001*	1	Tube (Requires brazing to install)
26	34212.0000	1	Tube (Requires brazing to install)
27	32776.0000	1	Accumulator (Requires brazing to install)
28	21982.0000	1	Cup, Condensate
29	40545.0001*	1	Tube (Requires brazing to install)
30	38934.0001	1	Tube (Requires brazing to install)
31	40249.0001*	1	Tube (Requires brazing to install)
32	34010.0001	1	Guard
33	41241.0001*	1	Tube (Requires brazing to install)
34	41136.0001*	1	Tube (Requires brazing to install)
35	01533.0010	2	Spacer
	00906.0000	2	Nut, Hex #8-32
36	M2546.0000*	-	Tape, Insulating (use as required)
37	28526.0020*	1	Tube, Silicone .313"ID x 36.0" (Order item 48)
38	33623.0000	1	Elbow
39	02536.0000	1	Grommet
40	34979.0001	1	Bracket
	01311.0001	2	Screw, Truss Head, Locking #8-32 x .25"
41	43060.0000	1	Shield
	01311.0001	3	Screw, Truss Head, Locking #8-32 x .25"
42	36019.0001	1	Tube, Low Side (Requires brazing to install)
43	43090.0000	1	Plug
44	43091.0000	1	Bushing
45	43062.0001	1	Shield, Circuit Board
	01311.0000	2	Screw, Truss Head #8-32 x .25" (Front)
	01311.0001	2	Screw, Truss Head, Locking #8-32 x .25" (Rear)

The following items are not illustrated

46	M2546.1000	-	Tape, Insulating (30.0 ft roll)
47	41122.0000	1	Wiring Harness, Compressor
48	38278.1002	-	Edging, Adhesive Lined 36.0" (Use as required)
49	28526.1001	1	Tube, Silicone .313"ID x 36.0" (Use as required)

* Indicates the part number listed is for reference only. See DESCRIPTION for possible service replacement.



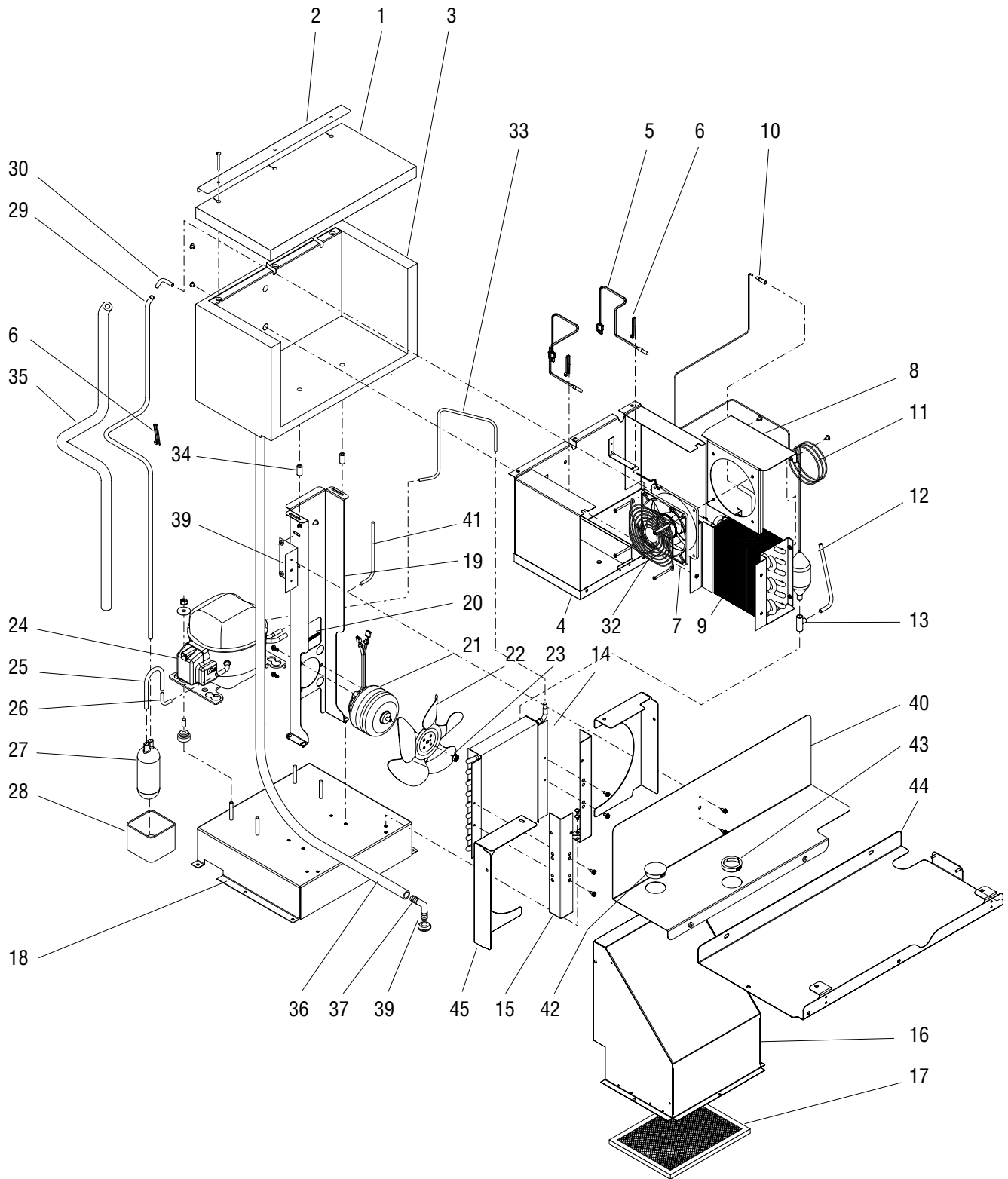
REFRIGERATION COMPONENTS (LG COMPRESSOR)

ITEM	PART NO.	QTY.	DESCRIPTION
1	40255.0000	1	Foam, Evapoator Top
2	40256.0000	1	Strap
	01384.0002	3	Screw, Truss Head, Slotted #8-32 x 2.0"
3	40541.0000*	1	Foam, Evaporator
	01311.0001	2	Screw, Truss Head, Locking #8-32 x .25"
	00906.0000	2	Nut, Hex #6-32
4	40235.0000*	1	Pan, Evaporator
5	34803.1000	2	Sensor
6	00617.0000	3	Cable Tie
7	33297.0002	1	Fan
	02370.0003	4	Screw, Pan Head, Slotted #6-32 x 1.50"
8	40889.0000	1	Bracket, Evaporator Fan
	01311.0001	2	Screw, Truss Head, Locking #8-32 x .25"
9	35823.0000*	1	Evaporator
	01311.0001	2	Screw, Truss Head, Locking #8-32 x .25"
10	28925.0000	1	Adapter, Reducer (Requires brazing to install)
11	35176.0000	1	Filter Dryer (Requires brazing to install)
12	38937.0000	1	Tube, Process (Requires brazing to install)
13	00396.0002	1	Tee, Reducer (Requires brazing to install)
14	29951.0002	1	Condenser
	02335.0001	4	Screw, Hex, Crimptite #8 x .38"
15	40234.0000	2	Bracket, Condenser Mtg
	01311.0001	4	Screw, Truss Head, Locking #8-32 x .25"
16	40241.0000	1	Air Duct
	01311.0001	3	Screw, Truss Head, Locking #8-32 x .25"
	00908.0000	3	Nut, Hex #8-32
	01311.0000	2	Screw, Truss Head #8-32 x .25"
	00970.0000	2	Nut, Keps #8-32
17	35164.1001	1	Air Filter Assy (Includes Velcro® Straps)
18	40232.0001	1	Base, Refrigeration
	00908.0000	6	Nut, Hex #8-32
19	40220.0000	1	Panel, Fan Mtg
	01311.0000	4	Screw, Truss Head #8-32 x .25"
20	38278.0008*	1	Edging, Adhesive Lined 2.5" (Order item 48)
21	33603.0000	1	Motor, Fan
	27243.0000	3	Screw
22	33602.0000	1	Blade, Fan
23	23700.0000	1	Nut, Keps .25-20

(Continued)

* Indicates the part number listed is for reference only. See DESCRIPTION for possible service replacement.

(Continued)



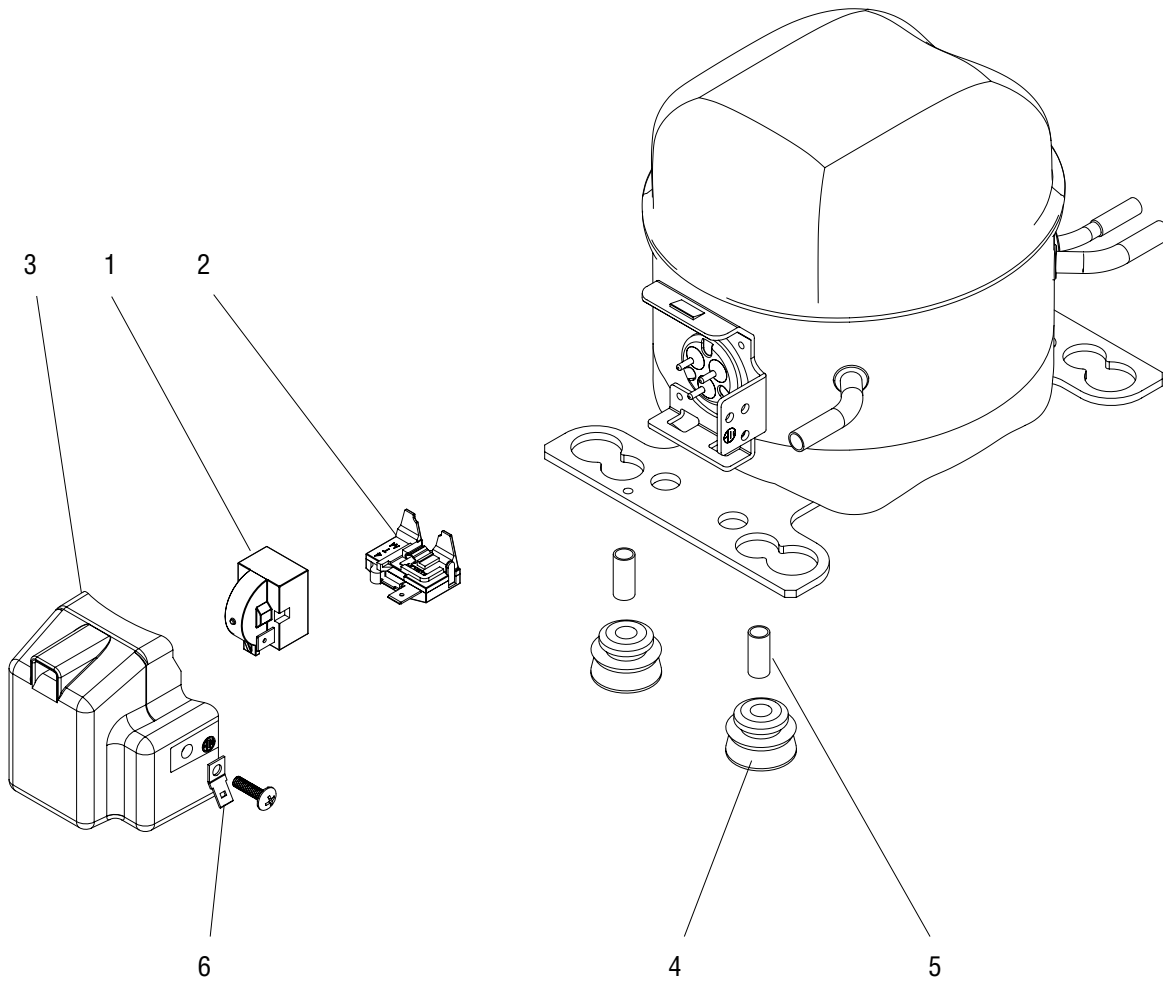
REFRIGERATION COMPONENTS (LG COMPRESSOR)

ITEM	PART NO.	QTY.	DESCRIPTION
24	-----	1	Compressor (See COMPRESSOR COMPONENTS)
	34529.0000*	4	Washer, Flat
	00901.0000	4	Nut, Hex .25-20
25	46328.0001*	1	Tube (Requires brazing to install)
26	32089.0000*	1	Tube (Requires brazing to install)
27	32776.0000	1	Accumulator (Requires brazing to install)
28	21982.0000	1	Cup, Condensate
29	40545.0001*	1	Tube (Requires brazing to install)
30	38934.0001	1	Tube (Requires brazing to install)
31	40249.0001*	1	Tube (Requires brazing to install)
32	34010.0001	1	Guard
33	46329.0001*	1	Tube (Requires brazing to install)
34	01533.0010	2	Spacer
	00906.0000	2	Nut, Hex #8-32
35	M2546.0000*	-	Tape, Insulating (use as required)
36	28526.0020*	1	Tube, Silicone .313"ID x 36.0" (Order item 49)
37	33623.0000	1	Elbow
38	02536.0000	1	Grommet
39	34979.0001	1	Bracket
	01311.0001	2	Screw, Truss Head, Locking #8-32 x .25"
40	43060.0000	1	Shield
	01311.0001	3	Screw, Truss Head, Locking #8-32 x .25"
41	38937.0000	1	Tube, Low Side (Requires brazing to install)
42	43090.0000	1	Plug
43	43091.0000	1	Bushing
44	43062.0001	1	Shield, Circuit Board
	43062.0002	1	Shield, Circuit Board (Models with improved left front access panel)
	01311.0000	2	Screw, Truss Head #8-32 x .25" (Front)
	01311.0001	2	Screw, Truss Head, Locking #8-32 x .25" (Rear)
45	50085.0001	1	Shroud, LH
	50086.0001	1	Shroud, RH
	01315.0000	3	Screw, Truss Head, Slotted #8-32 x .38"

The following items are not illustrated

46	M2546.1000	-	Tape, Insulating (30.0 ft roll)
47	41122.0001	1	Wiring Harness, Compressor
48	38278.1002	-	Edging, Adhesive Lined 36.0" (Use as required)
49	28526.1001	1	Tube, Silicone .313"ID x 36.0" (Use as required)

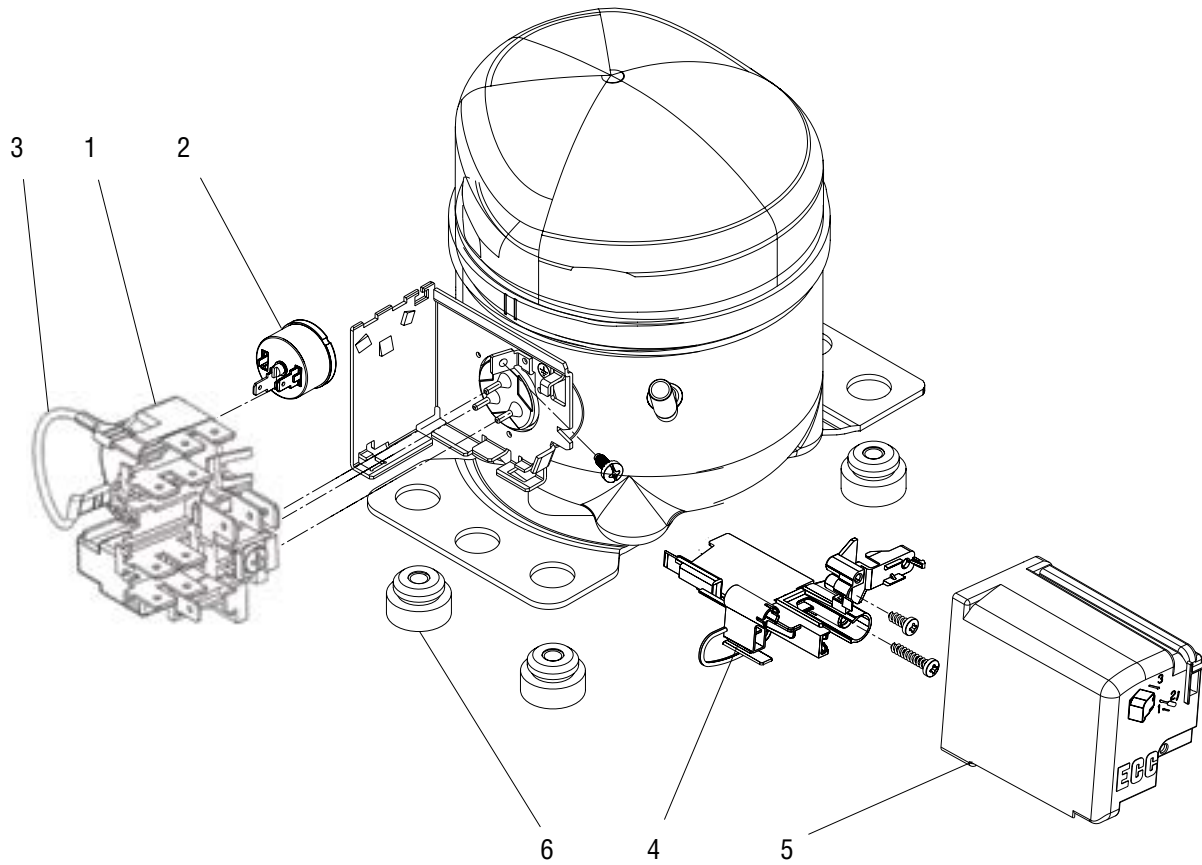
* Indicates the part number listed is for reference only. See DESCRIPTION for possible service replacement.



COMPRESSOR ASSY (LG)

ITEM	PART NO.	QTY.	DESCRIPTION
-	45901.0000	1	Compressor 120V (Includes items 1 - 5)
1	45899.0000	1	Relay, Compressor 120V
2	45898.0000	1	Overload Protector 120V
3	45908.0000	1	Cover
	45909.0000	1	Screw M4 x .61" lg.
4	45897.0000	4	Grommet
5	45896.0000	4	Sleeve
6	36528.0000	1	Terminal Adapter, Grounding

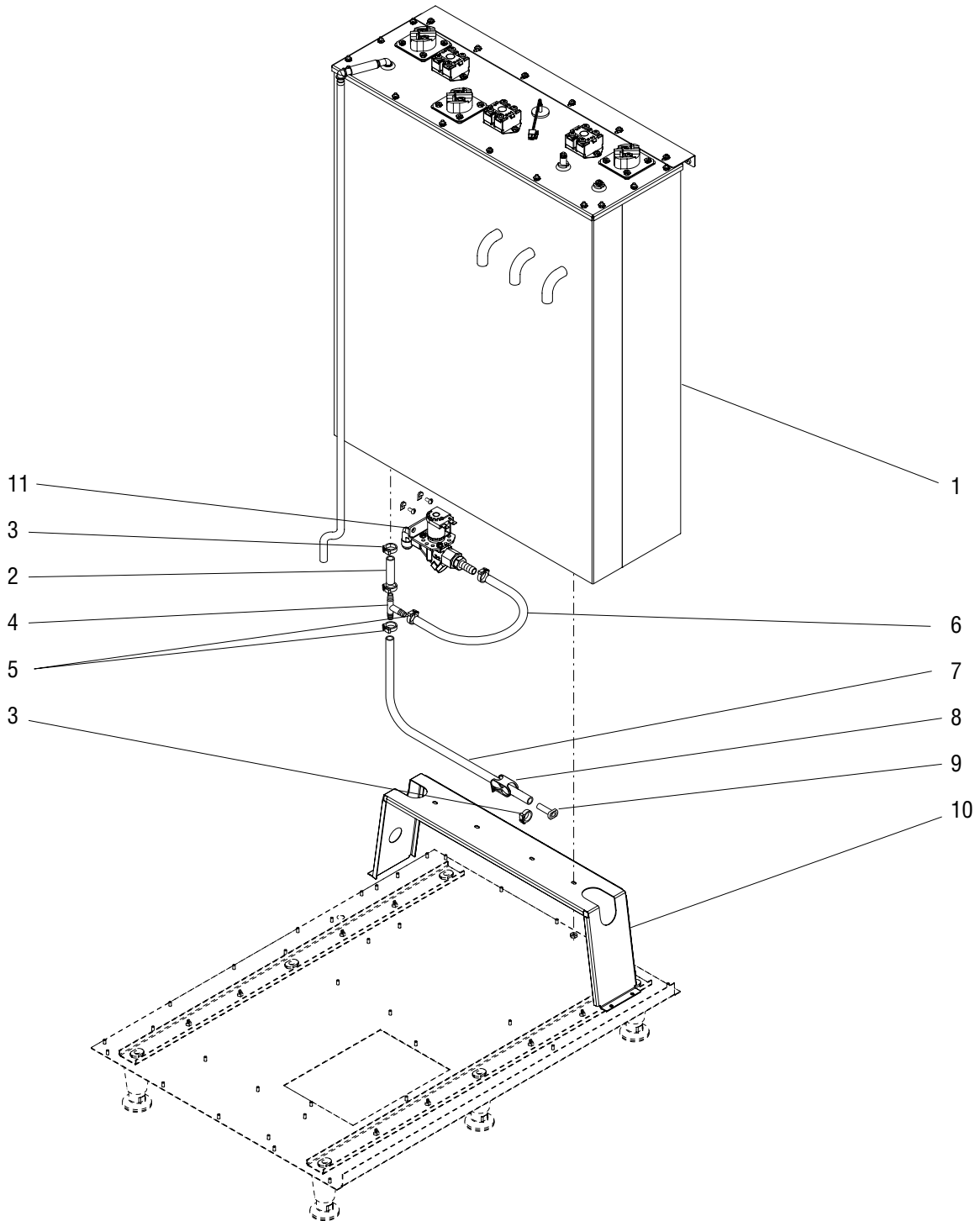
* Indicates the part number listed is for reference only. See DESCRIPTION for possible service replacement.



COMPRESSOR ASSY (CUBIGEL)

ITEM	PART NO.	QTY.	DESCRIPTION
-	33522.1002	1	Compressor 120V (Includes items 1 - 6)
1	39912.0002	1	Relay, Compressor 120V
2	39908.0002	1	Overload Protector 120V
3	41398.0000	1	Cable
4	41397.0000	1	Strain Relief
5	39907.0000	1	Cover
6	41396.0000	1	Mounting Kit (Includes 4 Grommets and Sleeves)

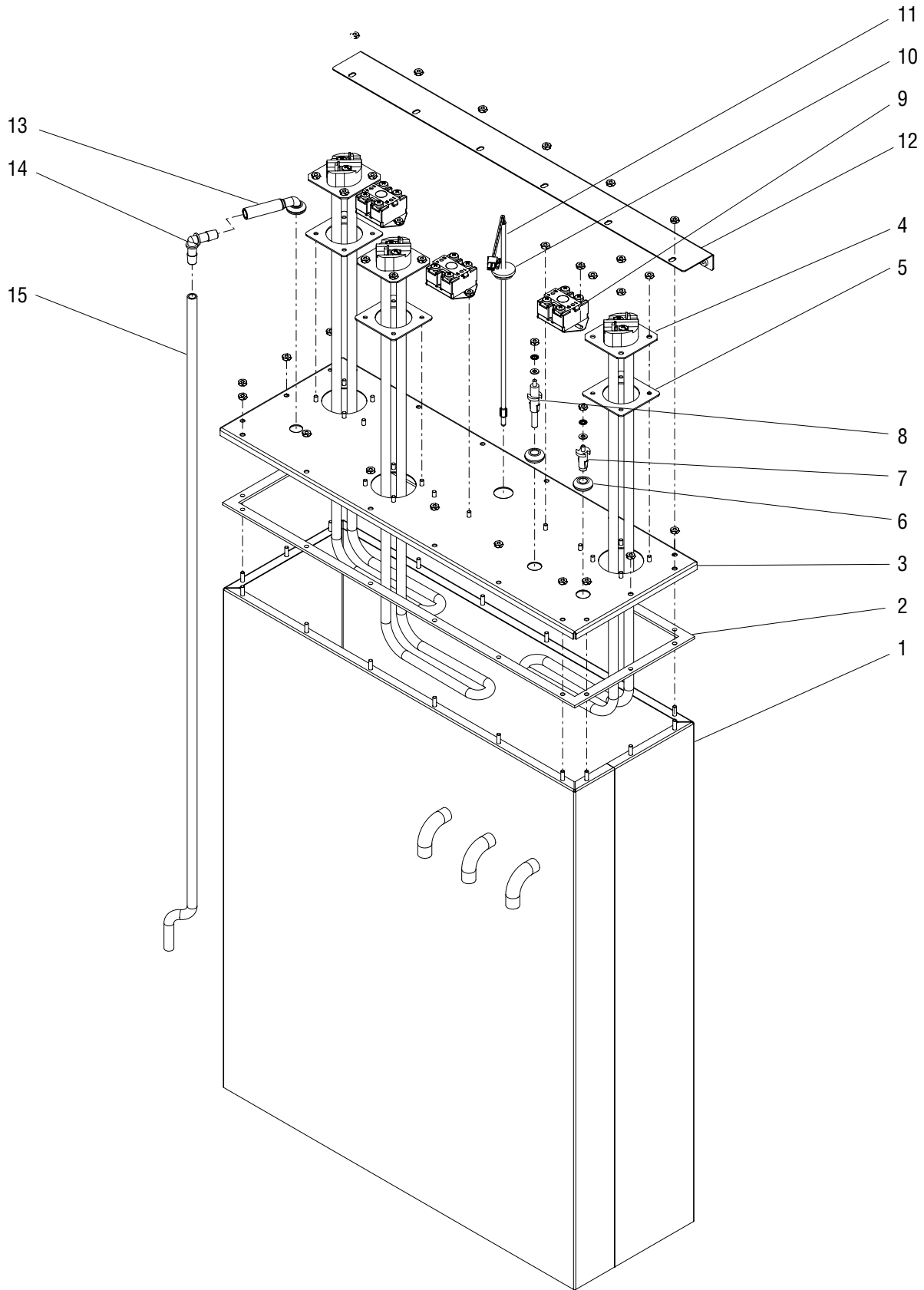
* Indicates the part number listed is for reference only. See DESCRIPTION for possible service replacement.



TANK & MOUNTING

ITEM	PART NO.	QTY.	DESCRIPTION
1	----- 00910.0000	1 4	Tank Assy (See TANK ASSY) Nut, Hex #10-32
2	20976.0017*	1	Tube, Silicone .38" x 2.0" (Order item 12)
3	12422.0001	3	Clamp .59/.66"
4	38948.0001	1	Fitting, Tee .38" barb
5	12422.0005	3	Clamp .62/.71"
6	20976.0007*	1	Tube, Silicone .38" x 11.0" (Order item 12)
7	20976.0067*	1	Tube, Silicone .38" x 21.0" (Order item 12)
8	11630.0001	1	Clip, Shut-off
9	34392.0000	1	Plug, Hose
10	40226.0000 00908.0000	1 4	Bracket, Lower Tank Nut, Hex #8-32
11	34679.1001 00938.0000 01315.0000	1 2 2	Valve Assy (Includes fittings) Fastener, U-type #8-32 Screw, Truss Head, Slotted #8-32 x .38"
12	20976.1000 20976.1001	- -	Tube, Silicone .38" x 12.0" (Use as required) Tube, Silicone .38" x 30.0" (Use as required)

* Indicates the part number listed is for reference only. See DESCRIPTION for possible service replacement.



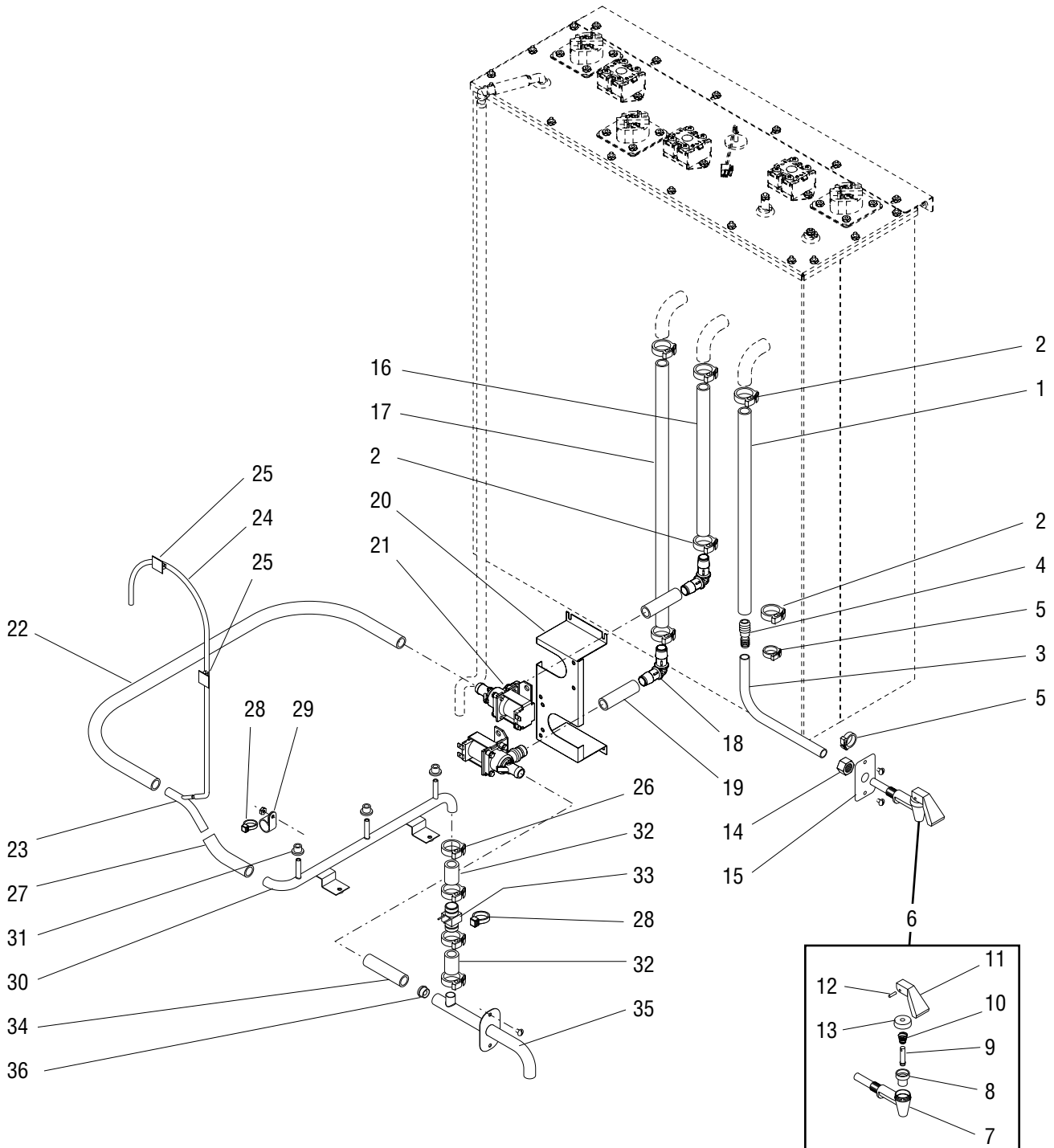
TANK ASSY

ITEM	PART NO.	QTY.	DESCRIPTION
1	40222.0000*	1	Tank Assy
2	40223.0000	1	Gasket, Tank Lid
3	40224.0000	1	Tank Lid
	00908.0000	12	Nut, Hex #8-32
4	12451.1001	3	Heater, Tank (Includes item 5)
	00908.0000	12	Nut, Hex #8-32
5	12398.0002	3	Gasket, Tank Heater
6	02536.0000	2	Grommet
7	07412.1002	1	Probe, Liquid Level
	00908.0000	1	Nut, Hex #8-32
	20203.0100	1	Lockwasher, Internal-tooth #8
	01501.0000	1	Washer
8	20936.1000	1	Probe, Liquid Level
	00908.0000	1	Nut, Hex #8-32
	20203.0100	1	Lockwasher, Internal-tooth #8
	01501.0000	1	Washer
9	23717.0003	3	Limit Thermostat, Double
	00908.0000	6	Nut, Hex #8-32
10	12570.0000	1	Grommet
11	41179.1000	1	Probe, Temperature
12	40530.0000	1	Bracket, Upper Tank
	00908.0000	6	Nut, Hex #8-32
13	38969.0001	1	Fitting, Tank Vent
14	03102.0000	1	Elbow SST
15	03236.1001	1	Tube, Silicone .312" x 36.0"

The following items are not illustrated

16	41106.0000	2	Wiring harness, Thermostat
17	21012.0135*	2	Lead, 12 AWG BLU 9.0", Tank Heater to Limit Thermostat
18	21012.0017	2	Lead, 12 AWG RED 7.0", Tank Heater to Limit Thermostat
19	21012.0018	2	Lead, 12 AWG BLK 5.5", Tank Heater to Limit Thermostat

* Indicates the part number listed is for reference only. See DESCRIPTION for possible service replacement.



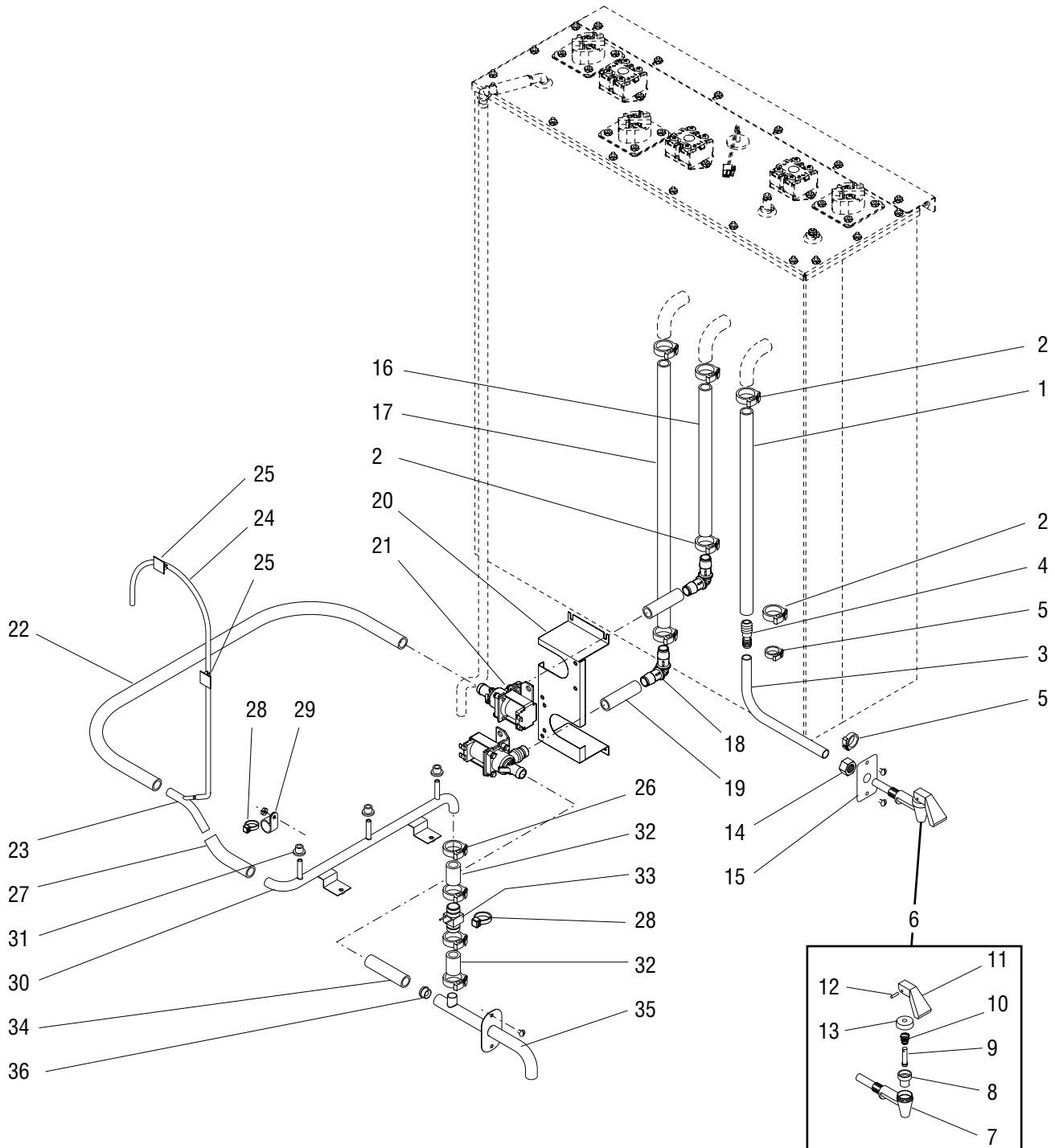
DISPENSE VALVES & LINES

ITEM	PART NO.	QTY.	DESCRIPTION
1	32591.0001*	1	Tube, Silicone .50" ID x 12.0" (Order item 38)
2	12422.0012	9	Clamp .81/.97"
3	20976.0005*	1	Tube, Silicone .38" ID x 7.5" (Order item 39)
4	36099.0000	1	Reducer
5	12422.0001	1	Clamp .59/.66"
6	29075.0002	1	Faucet, Hot Water (Includes items 7 - 12)
7	02856.0009*	1	Body, Faucet (Order item 6)
8	02766.0000	1	Cup, Seat
9	13054.0000	1	Stem Faucet
10	02595.0000	1	Spring, Faucet
11	02861.0003	1	Handle, Faucet RED
12	02858.0000	1	Pin, Spring
13	02854.0000	1	Bonnet, Faucet
14	29264.0000	1	Nut, Hex .50-20 UNF
15	39827.0001	1	Plate, Faucet
	01311.0000	2	Screw, Truss Head #8-32 x .25"
16	32591.0021*	1	Tube, Silicone .50" ID x 11.0" (Order item 38)
17	32591.0029*	1	Tube, Silicone .50" ID x 15.0" (Order item 38)
18	38553.0000	2	Fitting, Elbow .50" barb
19	32591.0014*	2	Tube, Silicone .50" ID x 3.6" (Order item 38)
20	40878.0000	1	Bracket, Valve Mtg
	01311.0000	4	Screw, Truss Head #8-32 x .25"
21	34202.0000	2	Valve, Dispense
	01311.0000	4	Screw, Truss Head #8-32 x .25"
22	20976.0068*	1	Tube, Silicone .38" ID x 19.0" (Order item 39)
23	37858.0000	1	Elbow 45° w/vent port
24	36630.0004*	1	Tube, Silicone .125 ID x 29.0" (Order item 40)
25	11154.0000	2	Clamp, Adhesive Back
26	12422.0009	1	Clamp .71/.80"
27	32591.0028*	1	Tube, Silicone .50" ID x 4.0" (Order item 38)
28	36329.0000*	2	Cable Tie

(Continued)

* Indicates the part number listed is for reference only. See DESCRIPTION for possible service replacement.

(Continued)



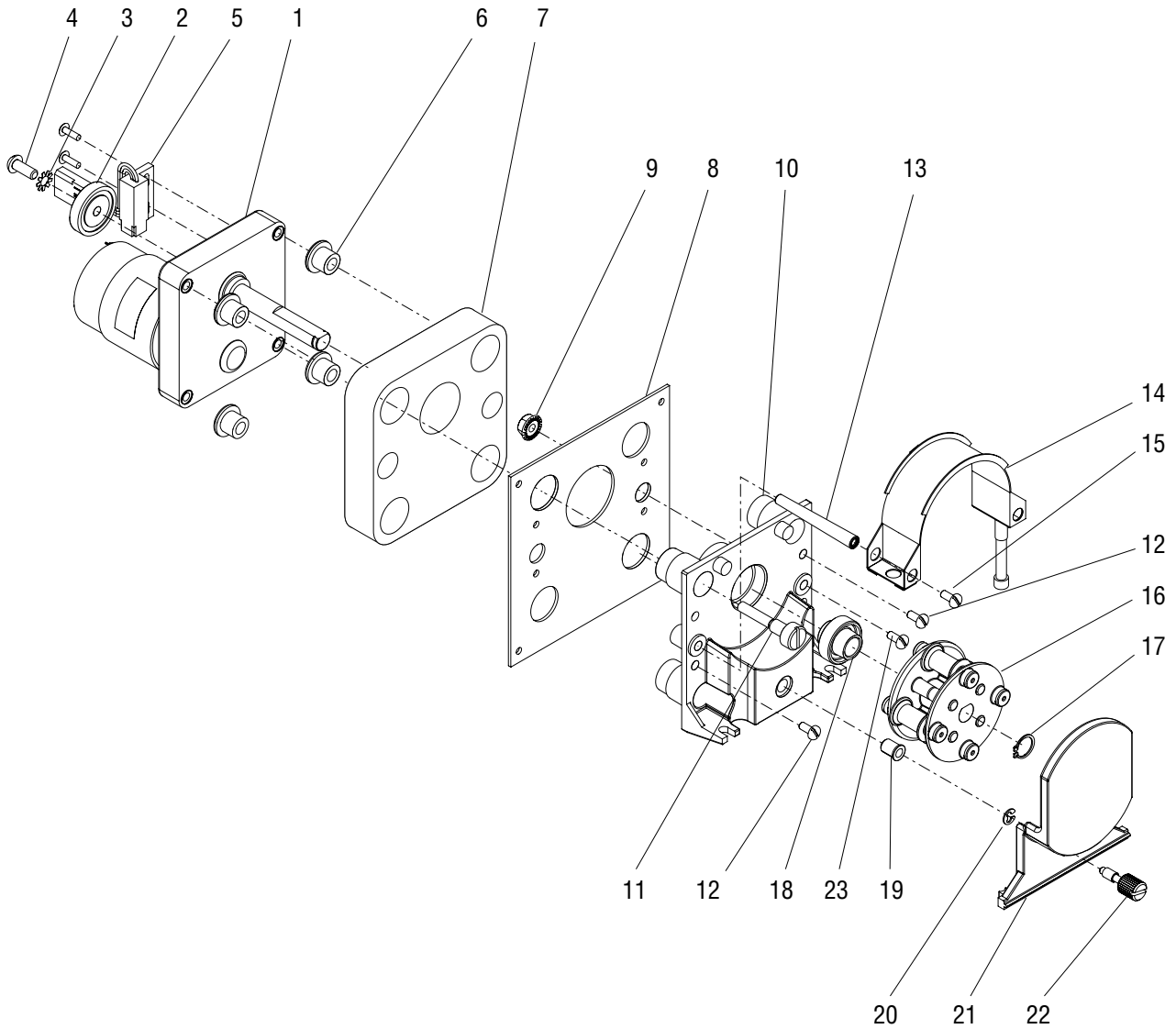
DISPENSE VALVES & LINES

ITEM	PART NO.	QTY.	DESCRIPTION
29	00603.0000	1	Clamp, Nylon
	00910.0000	1	Nut, Hex #10-32
30	40237.0001	1	Manifold
	01311.0000	2	Screw, Truss Head #8-32 x .25"
31	32957.0000	3	Bushing
32	32591.0003*	2	Tube, Silicone .50" ID x 1.1" (Order item 38)
33	40543.0000*	1	Sensor, Conductance
34	20976.0025*	1	Tube, Silicone .38" ID x 3.0" (Order item 39)
35	40239.1003	1	Dispense Tube
	01317.0003	2	Screw, Truss Head, Slotted #8-32 x .38"
36	34807.0001	1	Restrictor (Used in Reduced Flow Rate applications)

The following items are not illustrated

37	28706.0002	-	Faucet Repair Kit (Includes items 8-12)
38	32591.1001	-	Tube, Silicone .50" ID x 12.0" (Use as required)
	32591.1002	-	Tube, Silicone .50" ID x 36.0" (Use as required)
39	20976.1000	-	Tube, Silicone .38" ID x 12.0" (Use as required)
	20976.1001	-	Tube, Silicone .38" ID x 30.0" (Use as required)
40	36630.1000	-	Tube, Silicone .38" ID x 12.0" (Use as required)
	36630.1001	-	Tube, Silicone .38" ID x 36.0" (Use as required)
41	43402.1000	-	Tube Kit (Used to fill large servers)

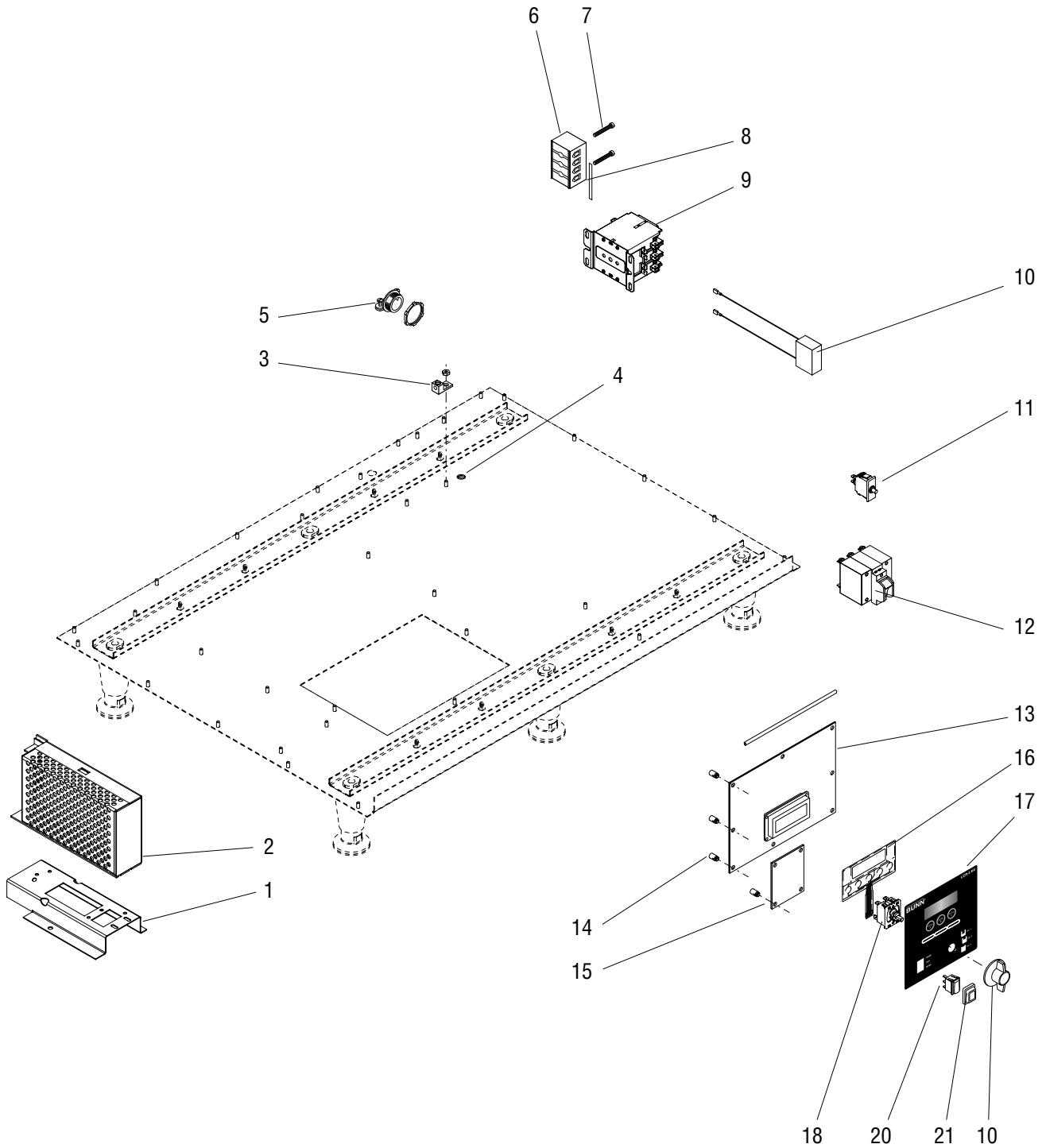
* Indicates the part number listed is for reference only. See DESCRIPTION for possible service replacement.



PUMP ASSY

ITEM	PART NO.	QTY.	DESCRIPTION
-	40261.1001	1	Pump Assy (Includes items 1-24)
1	34536.0001	1	Motor
2	32654.0000	1	Magnet Hub
3	01512.0000	1	Lockwasher, External-tooth #10
4	01331.0004	1	Screw, Round Head, Slotted, Locking #10-32 x 0.5"
5	33608.1000	1	Sensor, RPM
	02336.0000	2	Screw, Truss Head, Slotted #4-40 x .38"
6	32957.0000	4	Bushing
7	40536.0000*	1	Insulation, Pump
8	40263.0002*	1	Bracket, Front Mtg
9	34765.0000	1	Nut, Flanged #10-32
10	34166.0001	1	Block, Pump
11	32927.0000	4	Screw, Shoulder #10-32 UNF
12	02328.0003	4	Screw, Pan Head, Slotted #6-32 x .312"
13	32609.0000	1	Standoff, Pump Band
14	40030.1000	1	Compression Band Assy
15	01311.0001	1	Screw, Truss Head, Locking #8-32 x .25"
16	32706.1000	1	Rotor
17	32652.0000	1	Retaining Ring
18	33825.0000	1	Bearing
19	32928.0000	1	Insert, Threaded
20	34998.0000	1	E-ring, Retaining
21	34167.0000	1	Cover, Pump Block
22	34997.0000	1	Screw, Captive #10-32 x .625"
23	36149.0000	1	Fastener
24	00617.0000	1	Cable Tie (Not Illustrated)

* Indicates the part number listed is for reference only. See DESCRIPTION for possible service replacement.



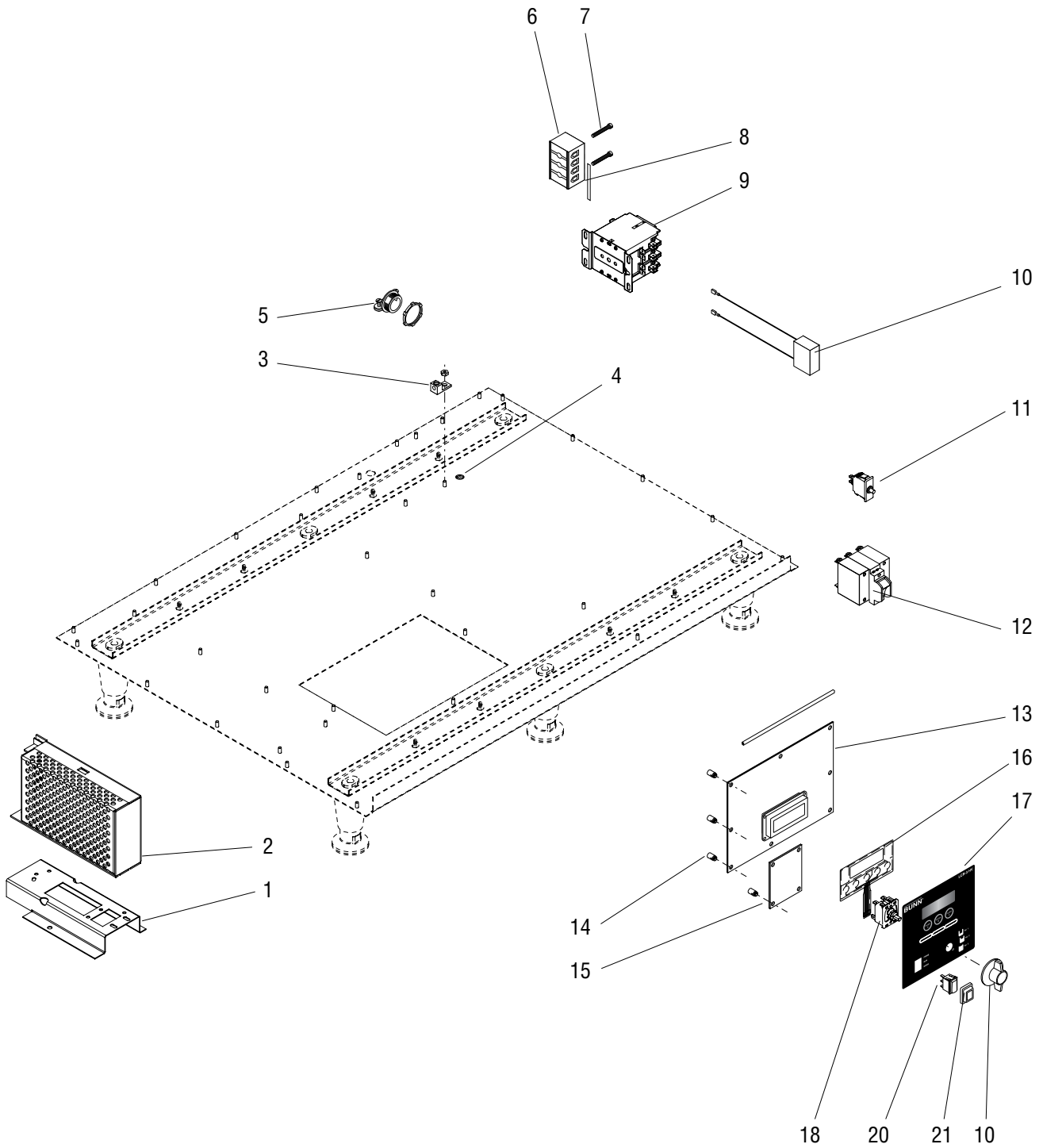
ELECTRICAL COMPONENTS

ITEM	PART NO.	QTY.	DESCRIPTION
1	34345.0001	1	Bracket, Power Supply
	00908.0000	2	Nut, Hex #8-32
2	33363.0001	1	Power Supply
	24003.0201	2	Screw, Pan Head M3 x 4mm
3	27705.0000	1	Lug, Terminal
	00908.0000	1	Nut, Hex #8-32
4	00824.0002	1	Decal, Grounding
5	01590.0001	1	Connector, Cable
6	21869.0000	1	Terminal Block, 4-pole
7	38030.0000	2	Screw, Phillips Head #8-32 x 1.25"
8	34588.0001	1	Decal, L1-L2-L3-N
9	38045.0001	1	Contactor, 3-pole
	01315.0000	2	Screw Truss Head #8-32 x .38"
10	34808.0002	1	Capacitor, EMI Filter
11	34386.0000	1	Switch, Door Open
12	38894.0002	1	Switch, Master ON/OFF
	01308.0000	2	Screw, Truss Head #6-32 x .25" (Mounting)
	01327.0000	4	Screw, Pan Head #10-32 x .38" (Terminals)
	01512.0000	4	Lockwasher #10 (Terminals)
13	34197.1004	1	Circuit Board, Main
	38123.0000	4	Screw, Truss Head #6-32 x 1.0"
	00906.0000	4	Nut, Hex #6-32
14	29081.0003	12	Spacer
15	40894.1000	1	Circuit Board, Auxillary
	38123.0000	4	Screw, Truss Head #6-32 x 1.0"
	00906.0000	4	Nut, Hex #6-32
16	34205.0001*	1	Switch, Membrane
17	40901.0000	1	Decal, Membrane Switch Overlay
18	36710.0000	1	Switch, Rotary 3 Position
19	12246.0000	1	Knob, Rotary Switch
	02338.0000	1	Setscrew #8-32 x .25"
20	27437.0001	1	Switch, Selector
21	34390.0000	1	Cap, Selector Switch

(Continued)

* Indicates the part number listed is for reference only. See DESCRIPTION for possible service replacement.

(Continued)



ELECTRICAL COMPONENTS

ITEM	PART NO.	QTY.	DESCRIPTION
The following items are not illustrated			
22	36329.0000*	1	Cable Tie
23	36049.0000	1	Jumper
	42267.0001	1	Jumper (Used in Reduced Flow Rate applications)
24	21001.0730*	1	Lead, 18AWG WHI, 8.0"
25	41149.0001	1	Wiring Harness, Tank
	20203.0100	1	Lockwasher, Ground Location at Tank
26	41119.0001	1	Wiring Harness, Master Switch to Contactor
27	41120.0000	1	Wiring Harness, Terminal Block to Master Switch
28	41157.0002	1	Wiring Harness, Solenoid
29	41025.0001	1	Wiring Harness, Aux Circuit Board to Motor
30	41464.0000	1	Wiring Harness, Contactor to Terminal Block
31	21004.0336*	1	Lead, GRN 10.0", Power Supply Grounding
32	21004.0179*	1	Lead, GRN 11.0", Compressor Grounding
33	00617.0000	1	Cable Tie (Attaches solenoid harness to solenoid bracket)

* Indicates the part number listed is for reference only. See DESCRIPTION for possible service replacement.

NUMERICAL INDEX

PART NO.	PAGE NO.	PART NO.	PAGE NO.	PART NO.	PAGE NO.	PART NO.	PAGE NO.
00396.0002.....	13,17	11707.1001.....	11	32591.0021.....	29	35176.0000.....	13,17
00603.0000.....	31	11707.1002.....	11	32591.0028.....	29	35823.0000.....	13,17
00617.0000.....	13,17,33,37	12246.0000.....	35	32591.0029.....	29	36019.0001.....	15
00656.0001.....	7	12398.0002.....	27	32591.1001.....	31	36049.0000.....	37
00669.0000.....	7	12422.0001.....	11,25,29	32591.1002.....	31	36099.0000.....	29
00824.0002.....	35	12422.0005.....	25	32609.0000.....	33	36149.0000.....	11,33
00901.0000.....	15,19	12422.0009.....	29	32652.0000.....	33	36154.0000.....	9
00906.0000.....	13,15,17	12422.0011.....	11	32654.0000.....	33	36329.0000.....	29,37
00906.0000.....	19,35,35	12422.0012.....	29	32656.0000.....	11	36528.0000.....	21
00908.0000.....	5,7,13,17	12451.1001.....	27	32706.1000.....	33	36630.0004.....	29
00908.0000.....	25,27,35	12570.0000.....	27	32776.0000.....	15,19	36630.1000.....	31
00910.0000.....	25,31	13054.0000.....	29	32863.1000.....	9	36630.1001.....	31
00938.0000.....	25	20203.0100.....	27,37	32927.0000.....	33	36710.0000.....	35
00970.0000.....	13,17	20936.1000.....	27	32928.0000.....	33	37280.0000.....	5
00986.0002.....	7	20976.0005.....	29	32957.0000.....	31,33	37858.0000.....	29
01308.0000.....	35	20976.0007.....	25	33160.0000.....	11	37881.0000.....	5
01311.0000.....	5,7,9,13,15	20976.0017.....	25	33297.0002.....	13,17	37947.0002.....	5
01311.0000.....	17,19,29,31	20976.0025.....	31	33363.0001.....	35	38030.0000.....	35
01311.0001....	13,15,17,19,33	20976.0067.....	25	33461.0004.....	7	38045.0001.....	35
01315.0000.....	7,11,19,25,35	20976.0068.....	29	33461.0006.....	7	38107.0001.....	7
01317.0000.....	7,11	20976.1000.....	25,31	33522.1002.....	23	38123.0000.....	35
01317.0003.....	31	20976.1001.....	25,31	33602.0000.....	13,17	38278.0008.....	13,17
01327.0000.....	35	21001.0730.....	37	33603.0000.....	13,17	38278.1002.....	15,19
01331.0004.....	33	21004.0179.....	37	33608.1000.....	33	38553.0000.....	29
01362.0000.....	9	21004.0336.....	37	33623.0000.....	15,19	38617.0001.....	7
01380.0000.....	7	21012.0017.....	27	33825.0000.....	33	38764.1001.....	7
01384.0002.....	13,17	21012.0018.....	27	34010.0001.....	15,19	38894.0002.....	35
01501.0000.....	27	21012.0135.....	27	34166.0001.....	33	38934.0001.....	15,19
01511.0000.....	9	21869.0000.....	35	34167.0000.....	33	38937.0000.....	13,17,19
01512.0000.....	33,35	21982.0000.....	15,19	34197.1004.....	35	38948.0001.....	25
01533.0010.....	15,19	23700.0000.....	13,17	34202.0000.....	29	38969.0001.....	27
01590.0001.....	35	23717.0003.....	27	34205.0001.....	35	39613.0000.....	7
02308.0000.....	9	24003.0201.....	35	34212.0000.....	15	39827.0001.....	29
02328.0003.....	33	25151.0008.....	5	34345.0001.....	35	39907.0000.....	23
02335.0001.....	13,17	27243.0000.....	13,17	34386.0000.....	35	39908.0002.....	23
02336.0000.....	33	27437.0001.....	35	34390.0000.....	35	39912.0002.....	23
02338.0000.....	35	27442.0000.....	7	34392.0000.....	25	40030.1000.....	33
02368.0000.....	7	27508.0000.....	5	34394.0001.....	9	40041.0000.....	5
02370.0003.....	13,17	27705.0000.....	35	34529.0000.....	15,19	40054.0000.....	7,9
02536.0000.....	15,19,27	28095.0000.....	9	34536.0001.....	33	40213.0000.....	5
02595.0000.....	29	28181.0004.....	5	34588.0001.....	35	40215.1000.....	5
02766.0000.....	29	28526.0020.....	15,19	34667.0000.....	9	40217.1000.....	5
02854.0000.....	29	28526.1001.....	15,19	34679.1001.....	25	40219.0001.....	5
02856.0009.....	29	28706.0002.....	31	34765.0000.....	33	40219.0002.....	5
02858.0000.....	29	28755.1007.....	11	34803.1000.....	13,17	40220.0000.....	13,17
02861.0003.....	29	28925.0000.....	13,17	34807.0001.....	31	40221.0000.....	11
03102.0000.....	27	29075.0002.....	29	34808.0002.....	35	40222.0000.....	27
03236.1001.....	27	29081.0003.....	35	34809.0003.....	9	40223.0000.....	27
07412.1002.....	27	29264.0000.....	29	34979.0001.....	15,19	40224.0000.....	27
11154.0000.....	29	29951.0002.....	13,17	34997.0000.....	33	40226.0000.....	25
11630.0001.....	25	32089.0000.....	19	34998.0000.....	33	40227.0000.....	9
11707.0008.....	11	32591.0001.....	29	35054.0000.....	11	40227.0001.....	9
11707.0027.....	11	32591.0003.....	31	35057.0001.....	11	40229.0000.....	11
11707.1000.....	11	32591.0014.....	29	35164.1001.....	13,17	40232.0001.....	13,17

NUMERICAL INDEX

PART NO.	PAGE NO.	PART NO.	PAGE NO.	PART NO.	PAGE NO.	PART NO.	PAGE NO.
40234.0000.....	13,17	41157.0002.....	37				
40235.0000.....	13	41172.0000.....	5				
40235.0000.....	17	41179.1000.....	27				
40237.0001.....	31	41235.1000.....	11				
40239.1003.....	31	41235.1001.....	11				
40241.0000.....	13,17	41241.0001.....	15				
40248.0001.....	15	41394.0000.....	7				
40249.0001.....	15,19	41396.0000.....	23				
40253.1000.....	9	41397.0000.....	23				
40254.1000.....	9	41398.0000.....	23				
40254.1001.....	9	41464.0000.....	37				
40255.0000.....	13	41513.0000.....	9				
40255.0000.....	17	41514.0000.....	7				
40256.0000.....	13,17	41656.0000.....	7				
40259.0000.....	7	42267.0001.....	37				
40261.1001.....	33	43060.0000.....	15,19				
40263.0002.....	33	43062.0001.....	15,19				
40518.0003.....	5	43062.0002.....	19				
40518.1001.....	5	43067.1000.....	7				
40518.1002.....	5	43069.0000.....	5				
40520.0000.....	5	43090.0000.....	15,19				
40526.0000.....	5	43091.0000.....	15,19				
40526.0001.....	5	43402.1000.....	31				
40527.1000.....	5	43895.0000.....	7				
40528.1000.....	5	43951.0000.....	9				
40530.0000.....	27	44860.0000.....	7				
40535.0000.....	9	45896.0000.....	21				
40536.0000.....	33	45897.0000.....	21				
40538.0000.....	9	45898.0000.....	21				
40540.0001.....	9	45899.0000.....	21				
40540.1001.....	9	45901.0000.....	21				
40541.0000.....	13,17	45908.0000.....	21				
40543.0000.....	31	45909.0000.....	21				
40545.0001.....	15,19	46328.0001.....	19				
40800.0200.....	11	46329.0001.....	19				
40800.0201.....	11	48911.0000.....	9				
40800.0202.....	11	48978.0000.....	7				
40800.0205.....	11	49119.0000.....	9				
40872.0002.....	9	50085.0001.....	19				
40878.0000.....	29	50086.0001.....	19				
40882.0002.....	5	M2531.0001.....	11				
40882.1000.....	5	M2546.0000.....	15,19				
40888.1000.....	5	M2546.1000.....	15,19				
40889.0000.....	13,17						
40894.1000.....	35						
40901.0000.....	35						
41025.0001.....	37						
41106.0000.....	27						
41119.0001.....	37						
41120.0000.....	37						
41122.0000.....	15						
41122.0001.....	19						
41136.0001.....	15						
41149.0001.....	37						