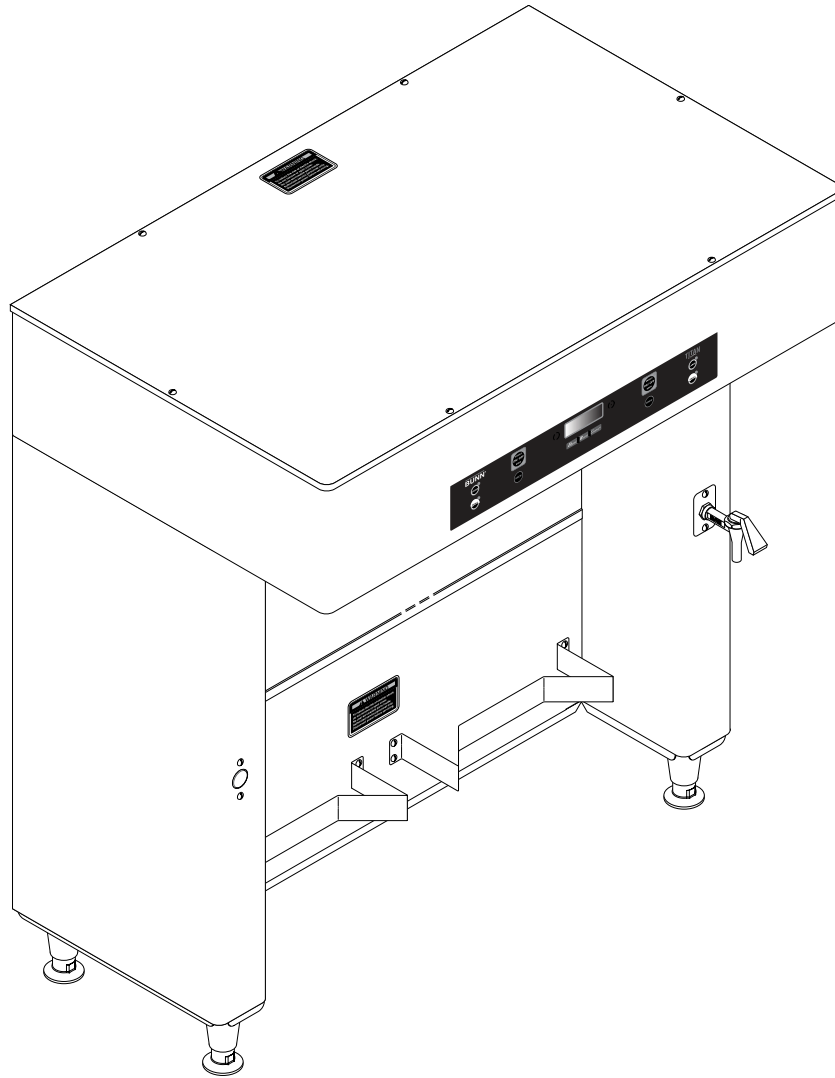


BUNN®

TITAN DUAL™



ILLUSTRATED PARTS CATALOG

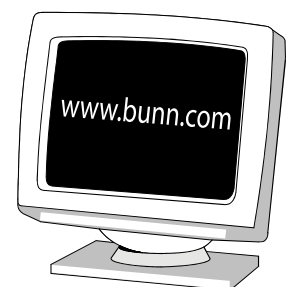
Designs, materials, weights, specifications, and dimensions for equipment or replacement parts are subject to change without notice.

BUNN-O-MATIC CORPORATION

POST OFFICE BOX 3227

SPRINGFIELD, ILLINOIS 62708-3227

PHONE: (217) 529-6601 FAX: (217) 529-6644



BUNN-O-MATIC COMMERCIAL PRODUCT WARRANTY

Bunn-O-Matic Corp. ("BUNN") warrants equipment manufactured by it as follows:

- 1) All equipment other than as specified below: 2 years parts and 1 year labor.
- 2) Electronic circuit and/or control boards: parts and labor for 3 years.
- 3) Compressors on refrigeration equipment: 5 years parts and 1 year labor.
- 4) Grinding burrs on coffee grinding equipment to grind coffee to meet original factory screen sieve analysis: parts and labor for 3 years or 30,000 pounds of coffee, whichever comes first.

These warranty periods run from the date of installation BUNN warrants that the equipment manufactured by it will be commercially free of defects in material and workmanship existing at the time of manufacture and appearing within the applicable warranty period. This warranty does not apply to any equipment, component or part that was not manufactured by BUNN or that, in BUNN's judgment, has been affected by misuse, neglect, alteration, improper installation or operation, improper maintenance or repair, damage or casualty. This warranty is conditioned on the Buyer 1) giving BUNN prompt notice of any claim to be made under this warranty by telephone at (217) 529-6601 or by writing to Post Office Box 3227, Springfield, Illinois 62708-3227; 2) if requested by BUNN, shipping the defective equipment prepaid to an authorized BUNN service location; and 3) receiving prior authorization from BUNN that the defective equipment is under warranty.

THE FOREGOING WARRANTY IS EXCLUSIVE AND IS IN LIEU OF ANY OTHER WARRANTY, WRITTEN OR ORAL, EXPRESS OR IMPLIED, INCLUDING, BUT NOT LIMITED TO, ANY IMPLIED WARRANTY OF EITHER MERCHANTABILITY OR FITNESS FOR A PARTICULAR PURPOSE. The agents, dealers or employees of BUNN are not authorized to make modifications to this warranty or to make additional warranties that are binding on BUNN. Accordingly, statements by such individuals, whether oral or written, do not constitute warranties and should not be relied upon.

If BUNN determines in its sole discretion that the equipment does not conform to the warranty, BUNN, at its exclusive option while the equipment is under warranty, shall either 1) provide at no charge replacement parts and/or labor (during the applicable parts and labor warranty periods specified above) to repair the defective components, provided that this repair is done by a BUNN Authorized Service Representative; or 2) shall replace the equipment or refund the purchase price for the equipment.

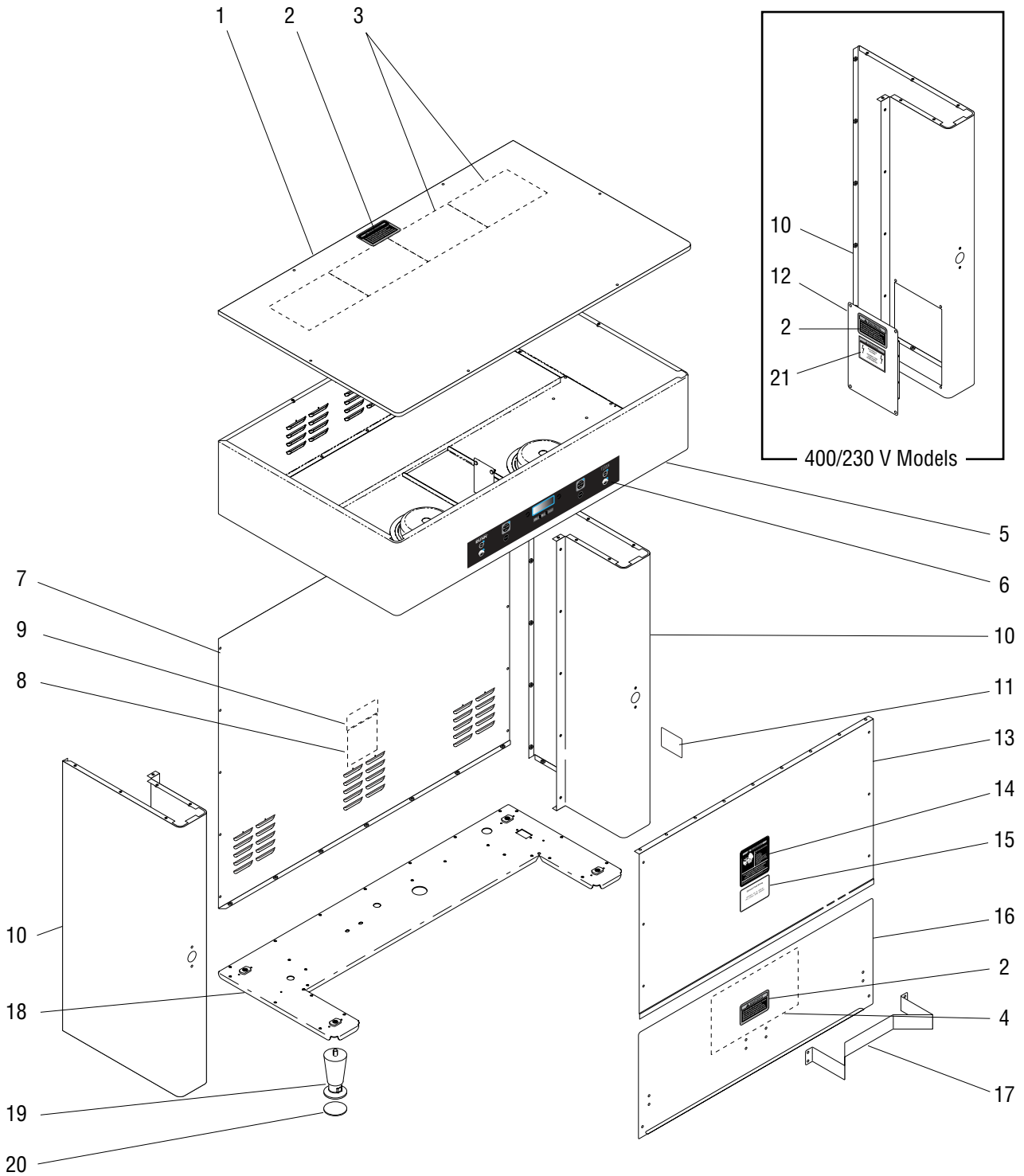
THE BUYER'S REMEDY AGAINST BUNN FOR THE BREACH OF ANY OBLIGATION ARISING OUT OF THE SALE OF THIS EQUIPMENT, WHETHER DERIVED FROM WARRANTY OR OTHERWISE, SHALL BE LIMITED, AT BUNN'S SOLE OPTION AS SPECIFIED HEREIN, TO REPAIR, REPLACEMENT OR REFUND.

In no event shall BUNN be liable for any other damage or loss, including, but not limited to, lost profits, lost sales, loss of use of equipment, claims of Buyer's customers, cost of capital, cost of down time, cost of substitute equipment, facilities or services, or any other special, incidental or consequential damages.

392, AutoPOD, AXIOM, BrewLOGIC, BrewMETER, Brew Better Not Bitter, BrewWISE, BrewWIZARD, BUNN Espresso, BUNN Family Gourmet, BUNN Gourmet, BUNN Pour-O-Matic, BUNN, BUNN with the stylized red line, BUNNlink, Bunn-OMatic, Bunn-O-Matic, BUNNserve, BUNNSERVE with the stylized wrench design, Cool Froth, DBC, Dr. Brew stylized Dr. design, Dual, Easy Pour, EasyClear, EasyGard, FlavorGard, Gourmet Ice, Gourmet Juice, High Intensity, iMIX, Infusion Series, Intellisteam, My Café, PowerLogic, Quality Beverage Equipment Worldwide, Respect Earth, Respect Earth with the stylized leaf and coffee cherry design, Safety-Fresh, savemycoffee.com, Scale-Pro, Silver Series, Single, Smart Funnel, Smart Hopper, SmartWAVE, Soft Heat, SplashGard, The Mark of Quality in Beverage Equipment Worldwide, ThermoFresh, A Partner You Can Count On, Air Brew, Air Infusion, Beverage Bar Creator, Beverage Profit Calculator, Brew better, not bitter., BUNNSource, Coffee At Its Best, Cyclonic Heating System, Digital Brewer Control, Nothing Brews Like a BUNN, Pouring Profits, Signature Series, Tea At Its Best, Phase Brew, The Horizontal Red Line, Titan, trifecta, Ultra, Velocity Brew are either trademarks or registered trademarks of Bunn-O-Matic Corporation.

TABLE OF CONTENTS

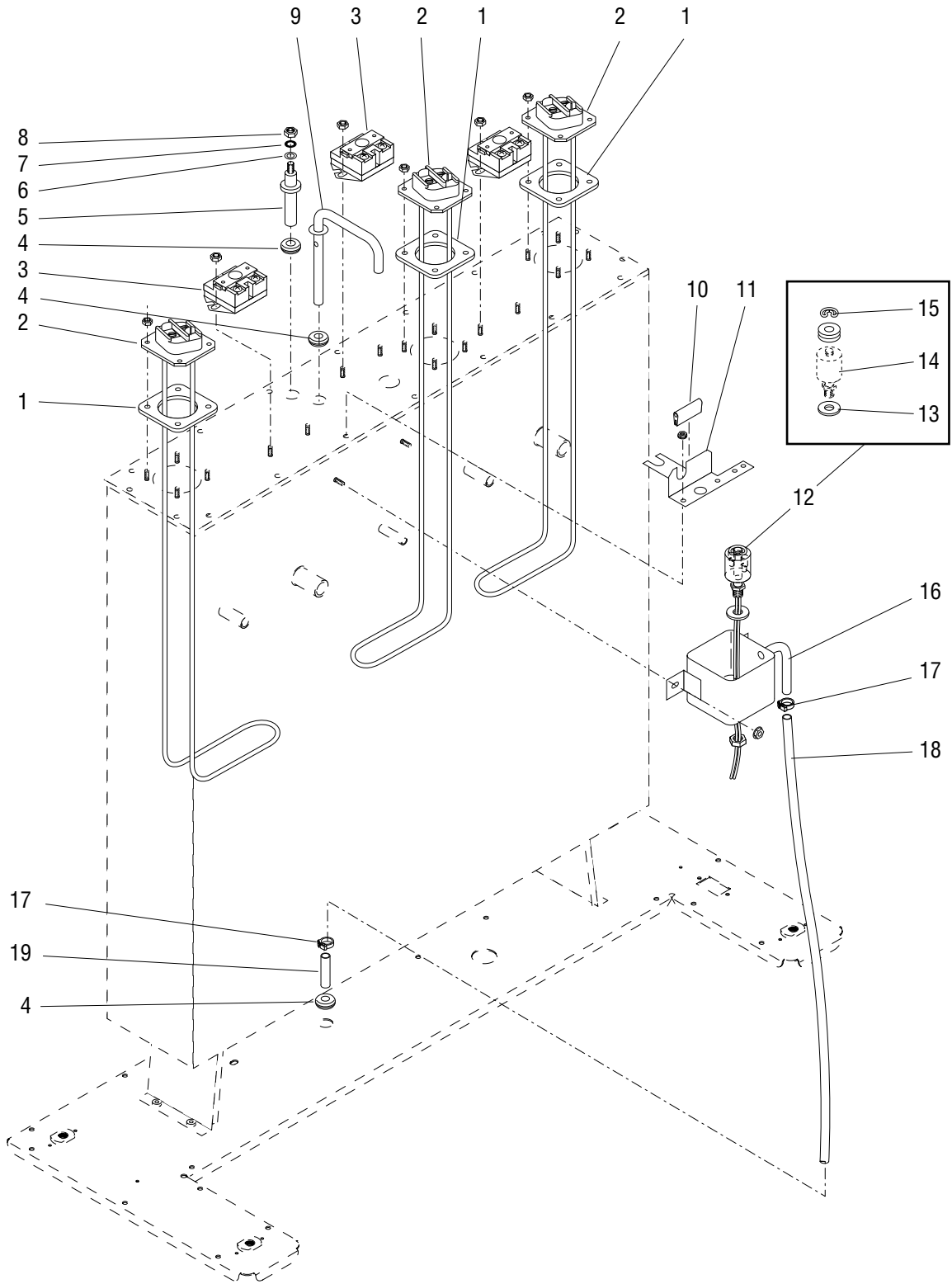
| | |
|---|----|
| Base - Trunk - Hood - Covers & Panels | 4 |
| Electrical Controls | 18 |
| Faucet..... | 16 |
| Funnel..... | 22 |
| Numerical Index | 24 |
| Sprayhead Valve, Water By-Pass Valve and Sprayhead..... | 12 |
| Tank and Mounting Brackets | 8 |
| Tank Heater & Overflow Protection Devices | 6 |
| Water Inlet Valve & Lines | 10 |



BASE - TRUNK - HOOD - COVERS & PANELS

| ITEM | PART NO. | QTY. | DESCRIPTION |
|------|------------|------|---|
| 1 | 39884.1001 | 1 | Cover Assy, Top BLK (Includes item 2 & 3) |
| | 01315.0005 | 6 | Screw, Truss Head BLK #8 - 32 x .38" |
| 2 | 37881.0000 | 2 | Decal, "No Serviceable Parts" |
| 3 | 25151.0000 | 4 | Shield, Insulator |
| 4 | 39972.0000 | 1 | Schematic, 3 Phase/1 Phase (120/208 & 120/240V models) |
| | 39972.0001 | 1 | Schematic, 3 Phase/1 Phase (230/400V models) |
| | 39972.0002 | 1 | Schematic, 3 Phase/1 Phase (200V models) |
| 5 | 39530.1000 | 1 | Hood SST (Includes item 6) |
| | 02308.0000 | 26 | Screw, Pan Head #8 - 32 x .375" |
| 6 | 39544.0000 | 1 | Switch, Membrane |
| 7 | 39514.1000 | 1 | Panel W/Decals, Trunk Rear (Includes items 8 & 9) |
| 8 | 00986.0000 | 1 | Decal, Warning - Electrical |
| 9 | 00656.0001 | 1 | Decal, Comply to Plumbing Code |
| 10 | 39516.1000 | 2 | Panel W/Decal, Trunk Side (Includes item 11) (1 less used on 230/400V models) |
| | 39516.1001 | 1 | Panel W/Decal, Trunk Right Side (Includes item 11) (230/400V models) |
| 11 | 39803.0000 | 1 | Decal, Main Power Switch |
| 12 | 40886.1000 | 1 | Panel, Access EMI Filter (230/400V models only) (Includes items 2 and 21) |
| | 41096.0000 | 4 | Screw, Pin in Torx Head #8 - 32 x .375" |
| 13 | 39518.1000 | 1 | Panel W/Decals, Trunk SST (Includes items 14 & 15) (120/208V models) |
| | 39518.1001 | 1 | Panel W/Decals, Trunk SST (Includes items 14 & 15) (120/240V models) |
| | 39518.1002 | 1 | Panel W/Decals, Trunk SST (Includes items 14 & 15) (230/400V models) |
| | 01315.0000 | 6 | Screw, Truss Head #8 - 32 x .375" |
| 14 | 00658.0000 | 1 | Decal, Caution - Decanter/Funnel |
| 15 | 29710.0015 | 1 | Decal, Optional Field Wiring (120/208V models) |
| | 29710.0019 | 1 | Decal, Optional Field Wiring (120/240V models) |
| | 29710.0020 | 1 | Decal, Optional Field Wiring (230/400V models) |
| 16 | 39521.1000 | 1 | Panel W/Decal, Trunk SST (Includes item 2) |
| | 01315.0000 | 2 | Screw, Truss Head #8 - 32 x .375" |
| 17 | 39520.0000 | 1 | Bracket, Server Stop |
| | 01315.0000 | 4 | Screw, Truss Head #8 - 32 x .375" |
| 18 | 39512.0000 | 1 | Base Plate |
| | 02308.0000 | 19 | Screw, Pan Head #8 - 32 x .375" |
| 19 | 40041.0000 | 4 | Leg, Nickel Plated |
| 20 | 40042.0000 | 4 | Pad, Anti Skid |
| 21 | 12559.0003 | 1 | Decal, "Warning Hazardous Voltage" |

* Indicates the part number listed is for reference only. See DESCRIPTION for possible service replacement.

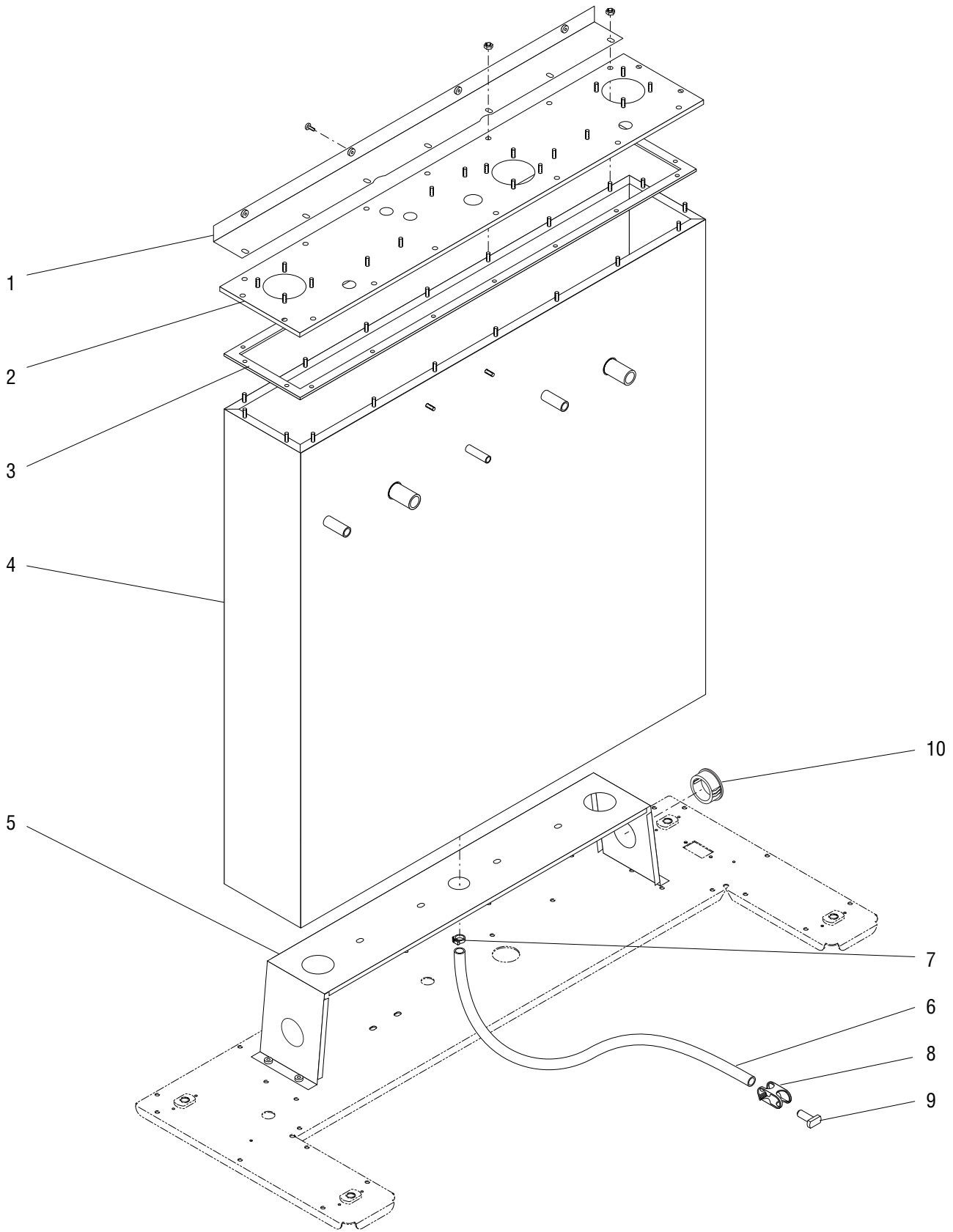


TANK HEATER & OVERFLOW PROTECTION DEVICES

| ITEM | PART NO. | QTY. | DESCRIPTION |
|------|-------------|------|---|
| 1 | 12398.0002 | 3 | Gasket, Tank Heater |
| 2 | 12305.1000 | 3 | Tank Heater, 4000W @ 208V (Includes item 1) |
| | 12322.1000 | 3 | Tank Heater, 4000W @ 240V (Includes item 1) |
| | 00908.0000 | 12 | Nut, Hex #8 - 32 |
| 3 | 23717.0003 | 3 | Thermostat, Limit |
| | 00908.0000 | 6 | Nut, Hex #8 - 32 |
| 4 | 02536.0000 | 3 | Grommet .375" I.D. |
| 5 | 20936.1000 | 1 | Probe Kit (Includes items 6, 7 & 8) |
| 6 | 01501.0000 | 1 | Washer .164" I.D. x .375" O.D. |
| 7 | 20203.0100 | 1 | Lockwasher, Internal Tooth #8 |
| 8 | 00908.0000 | 1 | Nut, Hex #8 - 32 |
| 9 | 26622.0001 | 1 | Tube Assy, Vent |
| 10 | 02434.0010* | 1 | U-Channel 2.0" (Order item 20) |
| 11 | 27473.0000 | 1 | Bracket, Overflow Cup Mounting |
| 12 | 03803.0002 | 1 | Switch Assy, Liquid Level (Includes items 13, 14 & 15) |
| | 00946.0000 | 1 | Nut, Hex .125" FPT |
| | 04797.0000 | 1 | Washer, .520" I.D. x 1.075" O.D. |
| 13 | 03633.0000 | 1 | Gasket, Float Switch |
| 14 | 01527.0000* | 3 | Washer, Adjusting (DO NOT USE IN THIS APPLICATION) |
| 15 | 03807.0000 | 1 | Clip, Spring |
| 16 | 22728.0000 | 1 | Overflow Cup Assy (Copper) (Also replaces aluminum cup) |
| | 00971.0000 | 2 | Nut, Keps #10 - 32 |
| 17 | 12422.0000 | 2 | Clamp, Hose .47"/.54" I.D. |
| 18 | 03236.0027* | 1 | Tube, Silicone .312" I.D. x 45.0" (Order item 21) |
| 19 | 21801.0002 | 1 | Tube .375" O.D. |
| 20 | 02434.1000 | - | U-Channel 18.0" (Use as required) |
| 21 | 03236.1001 | - | Tube, Silicone .312" I.D. x 36.0" |
| | 03236.1003 | - | Tube, Silicone .312" I.D. x 60.0" |
| | 03236.1002 | - | Tube, Silicone .312" I.D. x 120.0" |

} Not illustrated

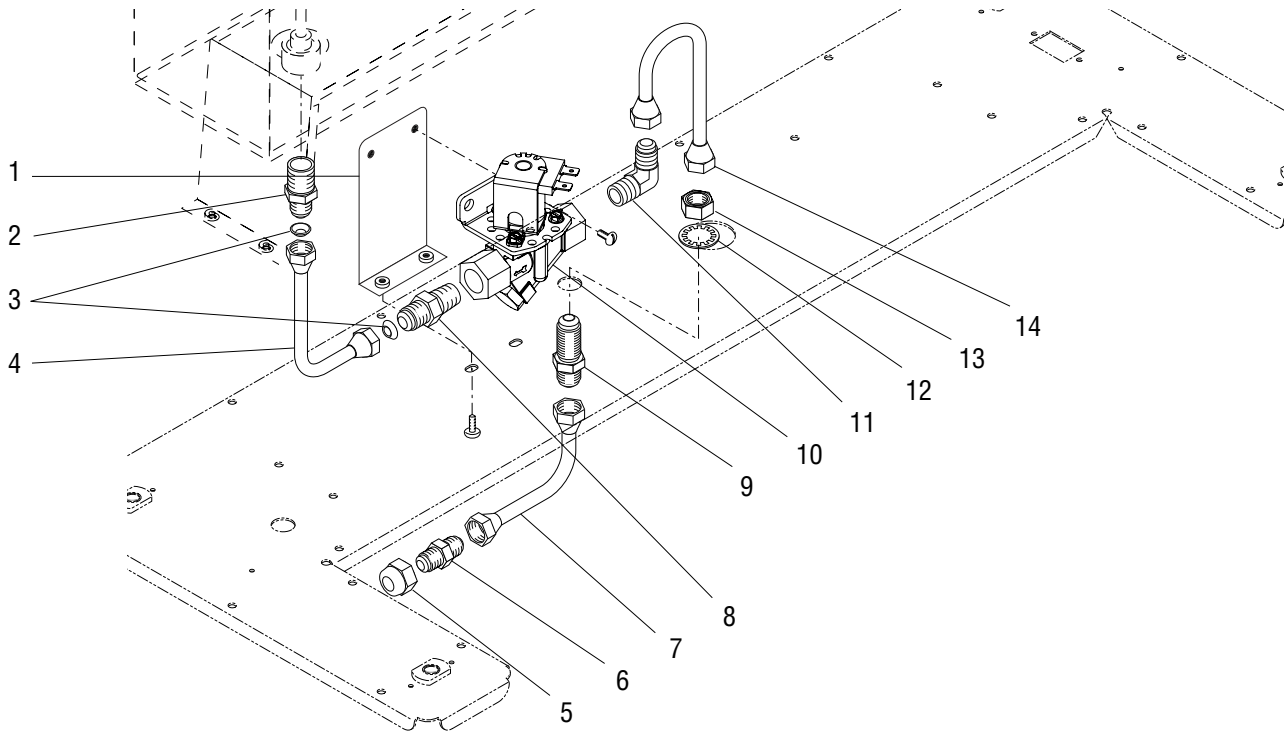
* Indicates the part number listed is for reference only. See DESCRIPTION for possible service replacement.



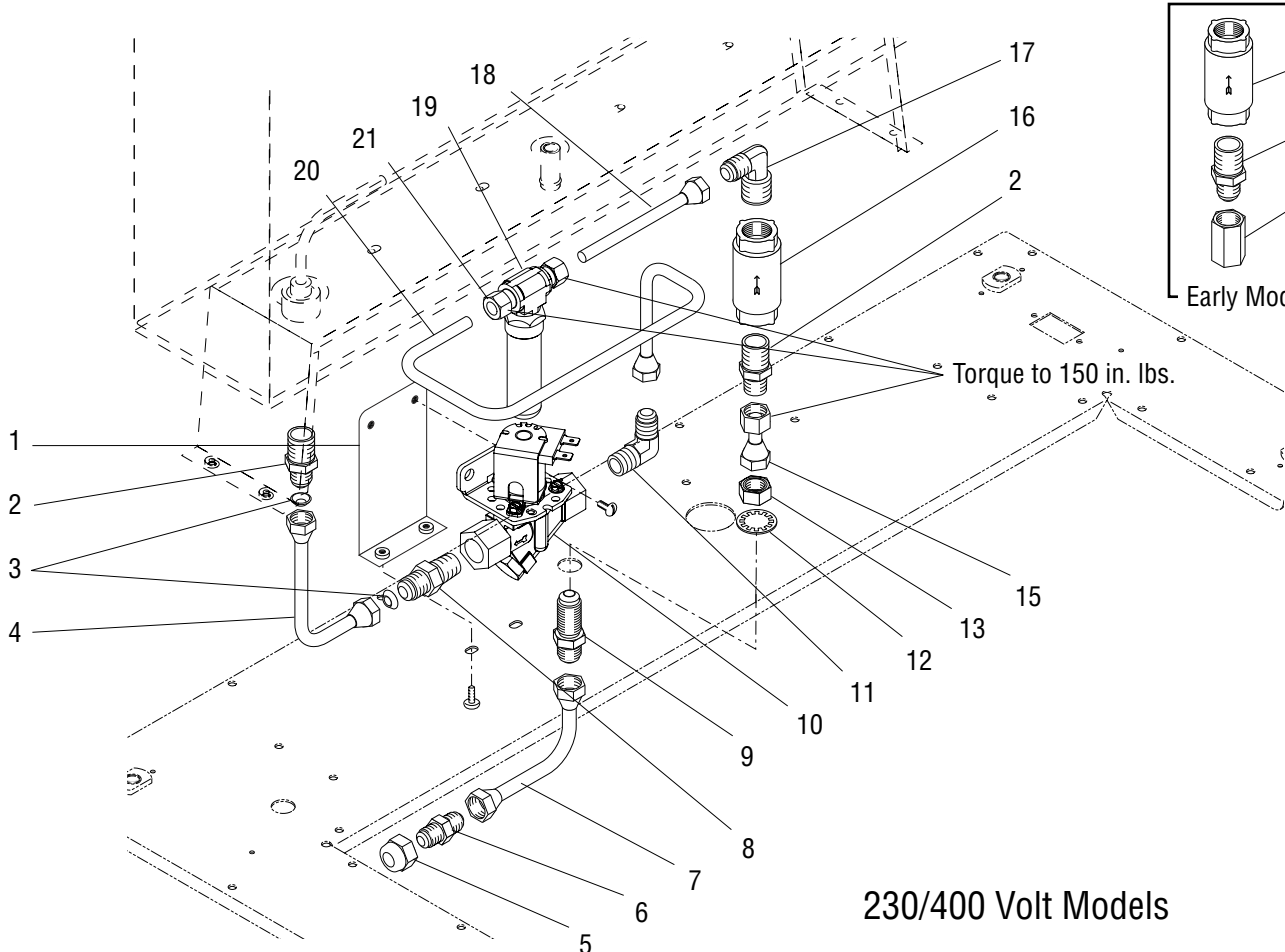
TANK AND MOUNTING BRACKETS

| ITEM | PART NO. | QTY. | DESCRIPTION |
|------|-------------|------|--|
| 1 | 39990.0000 | 1 | Bracket, Tank Support (Top) |
| | 01317.0003 | 4 | Screw, Truss Head LKG #8 - 32 x .375" |
| | 00908.0000 | 3 | Nut, Hex #8 - 32 |
| 2 | 39548.0000 | 1 | Lid, Tank |
| | 00908.0000 | 16 | Nut, Hex #8 - 32 |
| 3 | 39545.0000 | 1 | Gasket, Tank |
| 4 | 39618.1001 | 1 | Tank |
| 5 | 39540.0000 | 1 | Bracket, Tank Mounting (Bottom) |
| | 00971.0000 | 4 | Nut, Keps #10-32 |
| 6 | 32591.0011* | 1 | Tube, Silicone .50" I.D. x .75" O.D. x 36.0" (Order item 11) |
| 7 | 12422.0005 | 2 | Clamp, Hose .62"/.71" I.D. |
| 8 | 11630.0001 | 1 | Clamp, Tubing Shutoff |
| 9 | 35086.0000 | 1 | Plug, .50" I.D. Hose |
| 10 | 01592.0001 | 1 | Bushing, 1.188" Dia. |
| 11 | 32591.1002 | 1 | Tube, Silicone .50" I.D. x 36.0" (Not illustrated) |

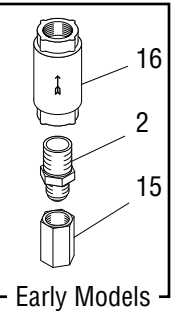
* Indicates the part number listed is for reference only. See DESCRIPTION for possible service replacement.



120/208 & 120/240 Volt Models



Torque to 150 in. lbs.



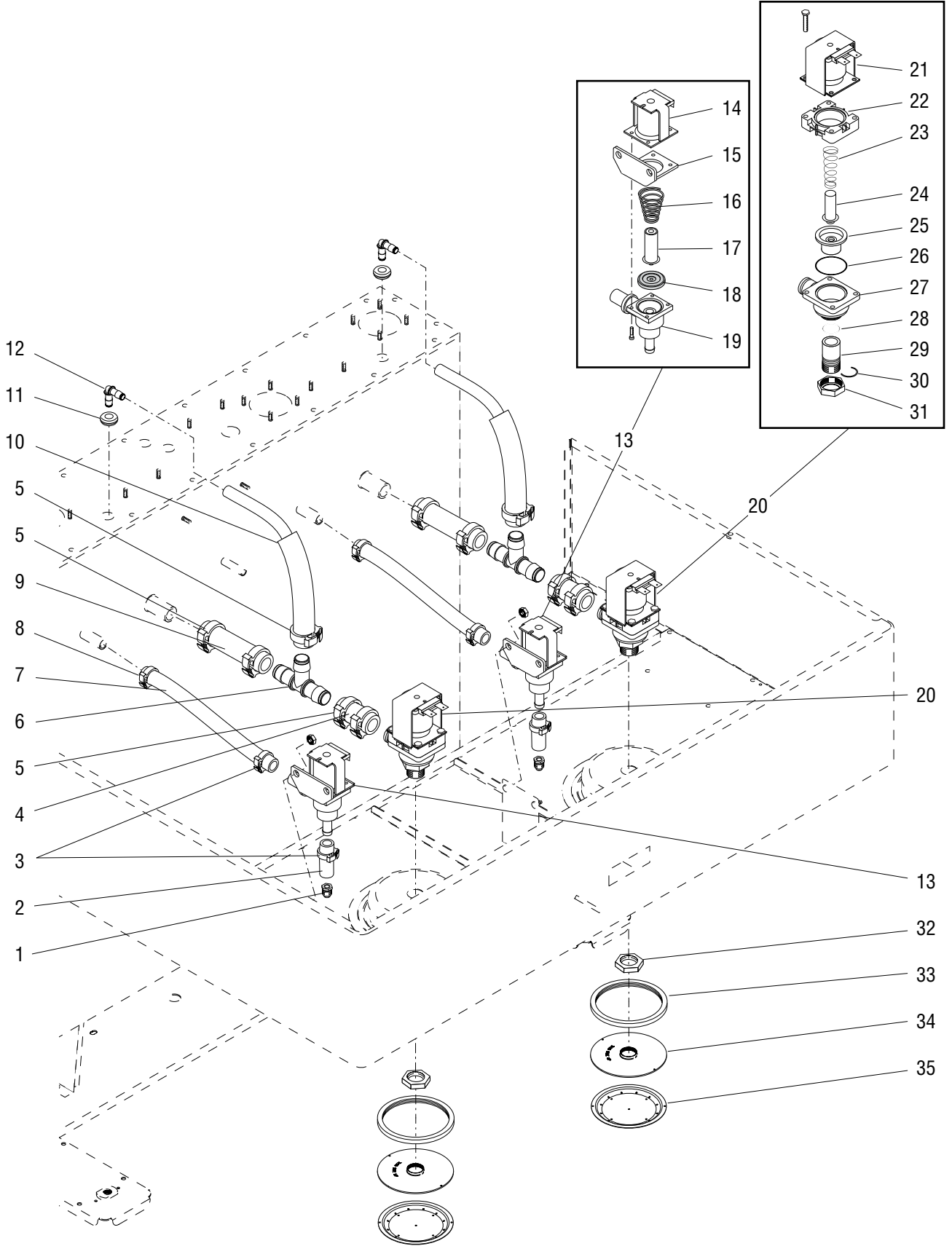
230/400 Volt Models

WATER INLET VALVE & LINES

| ITEM | PART NO. | QTY. | DESCRIPTION |
|------|------------|------|---|
| 1 | 39536.0000 | 1 | Bracket, Solenoid Mounting |
| | 02308.0000 | 2 | Screw, Pan Head #8 - 32 x .375" |
| 2 | 40040.0000 | 1 | Fitting, .375" Male Flare x .50" MPT (One additional used on Early 230/400V models) |
| | 40809.0000 | 1 | Fitting, Compression .38" Tube x .50" MPT (Late 230/400V models) |
| 3 | 32359.0000 | 2 | Gasket, .375" Flare Copper |
| 4 | 39965.0000 | 1 | Tube Assembly, Solenoid to Tank .38" O.D. |
| 5 | 12919.0001 | 1 | Cap (For shipping purposes only) |
| 6 | 36081.0000 | 1 | Union .375" Male Flare |
| 7 | 00310.0008 | 1 | Tube Assembly, Bulkhead to Supply |
| 8 | 36085.0000 | 1 | Connector .375" Flare x .125" MPT |
| 9 | 12756.0000 | 1 | Bulkhead Fitting .375" Flare |
| 10 | 40507.0000 | 1 | Solenoid Valve Assy, 120V (Includes items 9 & 11) |
| | 40507.0002 | 1 | Solenoid Valve Assy, 240V (Includes items 9 & 11) |
| | 01315.0000 | 2 | Screw, Truss Head #8 - 32 x .375" |
| 11 | 34768.0001 | 1 | Elbow, Male .375" Flare x .125" MPT |
| 12 | 01514.0000 | 1 | Lockwasher, Internal Tooth .625" I.D. |
| 13 | 12757.0000 | 1 | Nut, Hex .625" - 20 |
| 14 | 40171.0000 | 1 | Tube Assy, Bulkhead to Solenoid Valve (120/208V & 120/240V models) |
| 15 | 36478.0000 | 1 | Fitting, Flared Union .375" (Early models) |
| | 41498.0001 | 1 | Tube Assy, Bulkhead to Check Valve (Late models) |
| 16 | 40831.0000 | 1 | Check Valve |
| 17 | 40892.0000 | 1 | Fitting, 90° Flare .50: MPT |
| 18 | 40818.0000 | 1 | Tube Assy, Check Valve to Arrester (Includes Flare Nut) |
| 19 | 40832.0000 | 1 | Mini Rester |
| 20 | 40817.0000 | 1 | Tube Assy, Arrester to Solenoid Valve (Includes Flare Nut) |
| 21 | 00929.0001 | 2 | Nut/Sleeve, Compression .38" Tube |
| 22 | M2517.0000 | - | Sealant, Pipe 6 ml (Not illustrated) |

230/400V models only

* Indicates the part number listed is for reference only. See DESCRIPTION for possible service replacement.

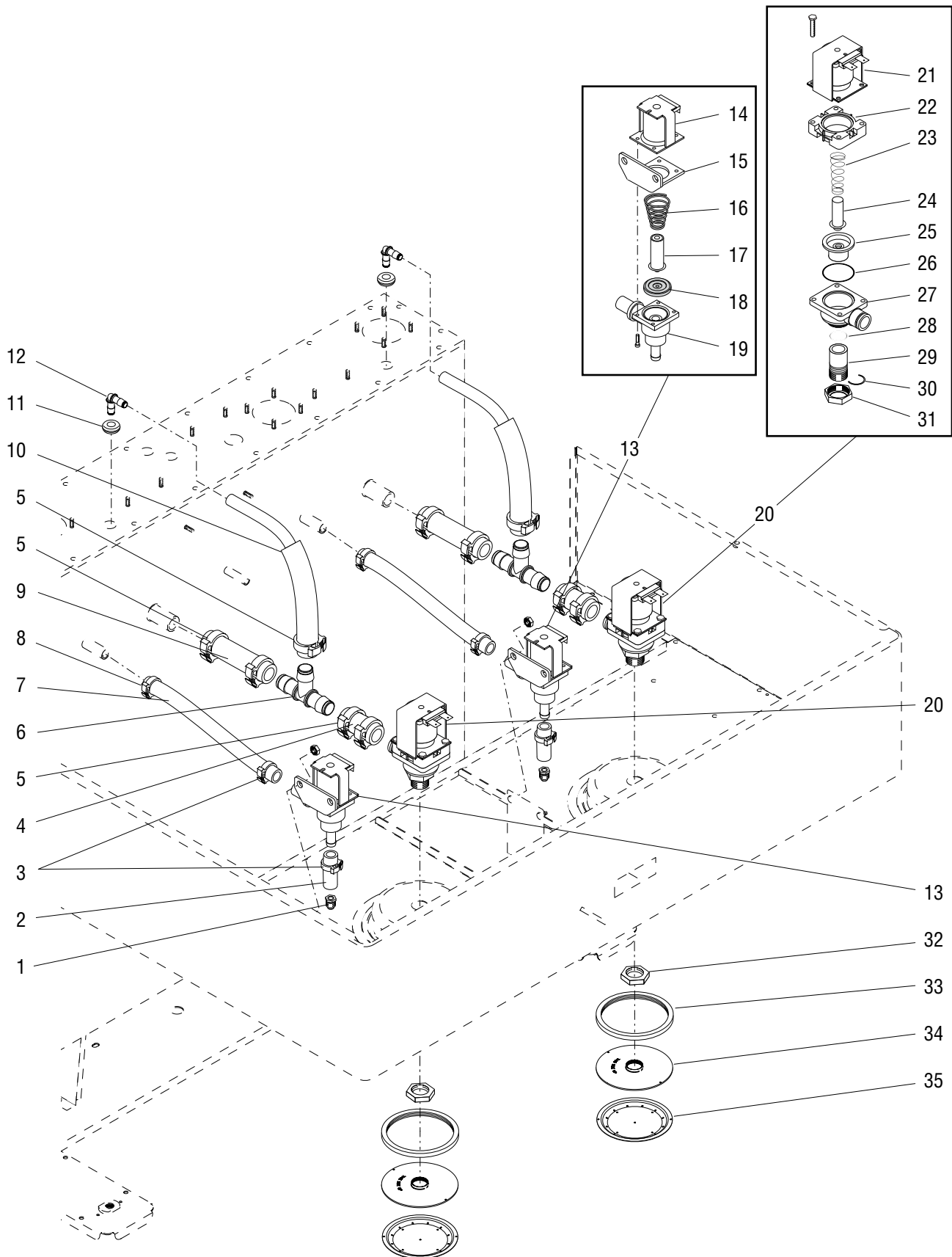


SPRAYHEAD VALVE, WATER BY-PASS VALVE & SPRAYHEAD

| ITEM | PART NO. | QTY. | DESCRIPTION |
|------|-------------|------|--|
| 1 | 34801.0000 | 2 | Fitting, Bypass Restrictor |
| 2 | 32591.0003* | 2 | Tube, Silicone .50" I.D. x .75" O.D. x 1.10" (Order item 36) |
| 3 | 12422.0005 | 4 | Clamp, Hose .62"/.71" I.D. |
| 4 | 35052.0004* | 2 | Tube, Silicone .75" I.D. x 1.0" O.D. x2.0" (Order item 37) |
| 5 | 12422.0008 | 10 | Clamp, Hose .93"/1.10" I.D. |
| 6 | 40349.0000 | 1 | Tee, .75" Barb |
| 7 | 32591.0018* | 1 | Tube, Silicone .50" I.D. x .75" O.D. x 7.50" (Order item 36) |
| 8 | 12422.0009 | 2 | Clamp, Hose .71"/.80" I.D. |
| 9 | 35052.0005* | 2 | Tube, Silicone .75" I.D. x 1.0" O.D. x4.25" (Order item 37) |
| 10 | 40350.1000 | 2 | Tube Assy, Vent |
| 11 | 02536.0000 | 2 | Grommet .375" I.D. |
| 12 | 40348.0000 | 2 | Elbow, .375" Barb. |
| 13 | 27370.0003 | 2 | Valve Assy, Bypass 120V (Includes items 14 thru 19) |
| | 27370.0005 | 2 | Valve Assy, Bypass 240V (Includes items 14 thru 19) |
| | 00970.0000 | 4 | Nut, Keps #8 - 32 |
| 14 | ----- | 1 | Coil Assy, Bypass Valve (Not available order item 13) |
| 15 | ----- | 1 | Bracket, Mounting (Not available order item 13) |
| 16 | ----- | 1 | Spring (Not available order item 38) |
| 17 | ----- | 1 | Plunger (Not available order item 38) |
| 18 | 23255.0000 | 1 | Diaphragm |
| 19 | ----- | 1 | Body (Not available order item 13) |
| 20 | 39978.0000 | 2 | Valve Assy, Sprayhead 120V (Includes items 21 thru 31) |
| | 39978.0001 | 2 | Valve Assy, Sprayhead 240V (Includes items 21 thru 31) |
| 21 | 40206.0004 | 1 | Coil Assy, Valve 120V |
| | 40181.0001 | 1 | Coil Assy, Valve 240V |
| | 40186.0000 | 4 | Screw, #8 - 32 x 1.0" |
| 22 | 39925.0000 | 1 | Spacer, Sprayhead Valve |
| 23 | 40206.0002 | 1 | Spring |
| 24 | 40206.0003 | 1 | Plunger |
| 25 | 40206.0001 | 1 | Diaphragm |
| 26 | 40184.0000 | 1 | O-Ring, 1.50" OD x 1.375" ID x .062" |
| 27 | ----- | 1 | Body (Not available order item 20) |
| 28 | 40182.0000 | 1 | O-Ring |

(continued)

* Indicates the part number listed is for reference only. See DESCRIPTION for possible service replacement.



SPRAYHEAD VALVE, WATER BY-PASS VALVE & SPRAYHEAD

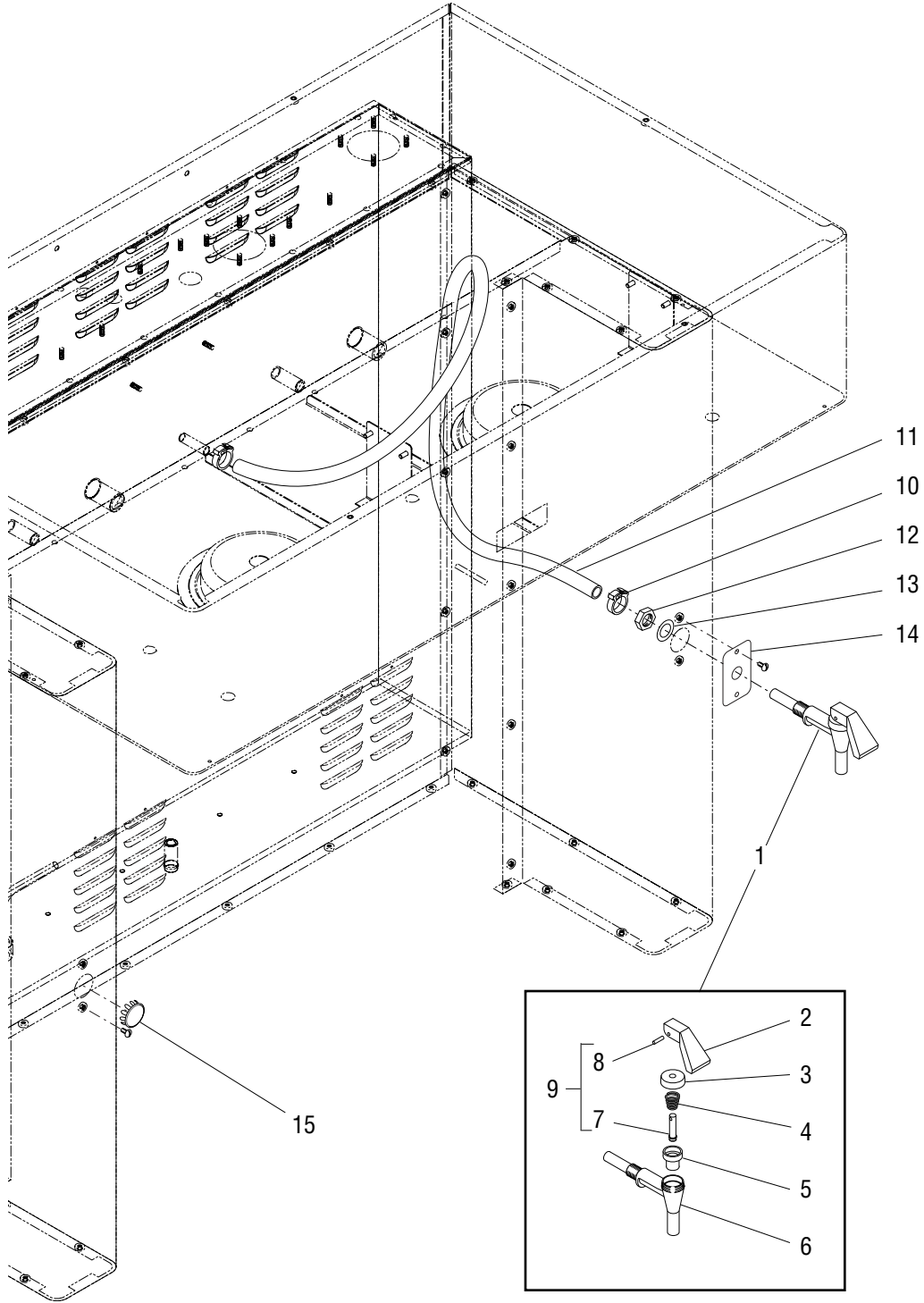
| ITEM | PART NO. | QTY. | DESCRIPTION |
|------|------------|------|--|
| 29 | 39546.0000 | 1 | Fitting, Sprayhead Valve |
| 30 | 40183.0000 | 1 | C-Ring, Dispense Valve |
| 31 | ----- | 1 | Nut, Fitting Retaining (Not available order item 20) |
| 32 | 00957.0001 | 2 | Nut, Hex .75" - 16 |
| 33 | 34868.0000 | 2 | Seal, Sprayhead |
| 34 | 35070.0002 | 2 | Sprayhead Back |
| 35 | 34867.0006 | 2 | Sprayhead |

} Refer to item 40

NOTE: The following parts are not illustrated

| | | | |
|----|------------|---|--|
| 36 | 32591.1001 | 1 | Tube, Silicone .50" I.D. x .75" O.D. x 12.0" |
| | 32591.1002 | 1 | Tube, Silicone .50" I.D. x .75" O.D. x 36.0" |
| 37 | 35052.1000 | 1 | Tube, Silicone .75" I.D. x 1.0" O.D. x 12.0" |
| 38 | 11517.0008 | - | Solenoid Valve Repair Kit, Bypass (Includes one each of spring, plunger and diaphragm) |
| 39 | 40206.0000 | - | Solenoid Valve Repair Kit, Sprayhead (Includes items 23, 24, 25, 26, 28, 29 and 30) |
| 40 | 35308.1006 | - | Sprayhead Assy (Includes one each of items 33, 34 and 35) |

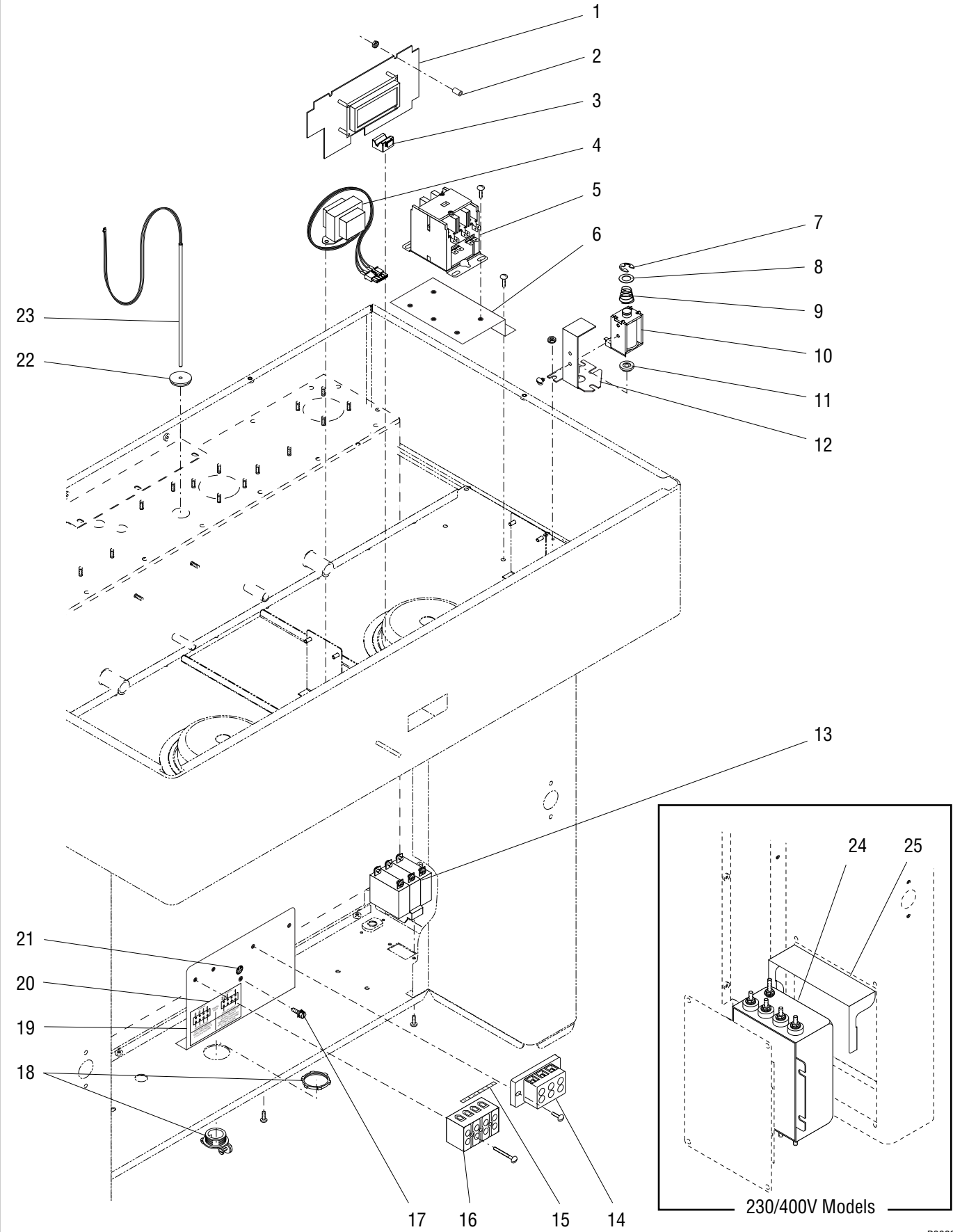
* Indicates the part number listed is for reference only. See DESCRIPTION for possible service replacement.



FAUCET

| ITEM | PART NO. | QTY. | DESCRIPTION |
|------|-------------|------|--|
| 1 | 29075.0002 | 1 | Faucet Assy (Includes items 2 thru 8) |
| 2 | 02861.0003 | 1 | Handle, Faucet |
| 3 | 02854.0000 | 1 | Bonnet, Faucet |
| 4 | 02595.0000 | 1 | Spring, Faucet |
| 5 | 02766.0000 | 1 | Seat Cup, Faucet |
| 6 | 02856.0009* | 1 | Body, Faucet (Not available order item 1) |
| 7 | 13054.0000 | 1 | Stem, Faucet |
| 8 | 02858.0000 | 1 | Pin, Spring .125" Dia. x .50" |
| 9 | 02594.0000 | 1 | Faucet Stem W/Pin (Includes items 7 & 8) |
| 10 | 12422.0001 | 2 | Clamp, Hose .59"/.66" I.D. |
| 11 | 28526.0032* | 1 | Tube, Silicone .313" I.D. x .562" O.D. x 40.0" (Order item17) |
| 12 | 29264.0000 | 1 | Nut, Faucet Retaining |
| 13 | 01544.0000 | 1 | Washer, .50" I.D. x .75" O.D. |
| 14 | 39827.0001 | 1 | Plate, Faucet Mounting |
| | 01315.0000 | 4 | Screw, Truss Head #8-32 x .375" |
| 15 | 00619.0013 | 1 | Plug, Hole 1.25" Dia. |
| 16 | 28706.0002 | - | Faucet Kit (Includes items 2,4 ,5 ,8 & 9) |
| 17 | 28526.1002 | - | Tube, Silicone .313" I.D. x .562" O.D. x 60.0" (Not Illustrated) |

* Indicates the part number listed is for reference only. See DESCRIPTION for possible service replacement.

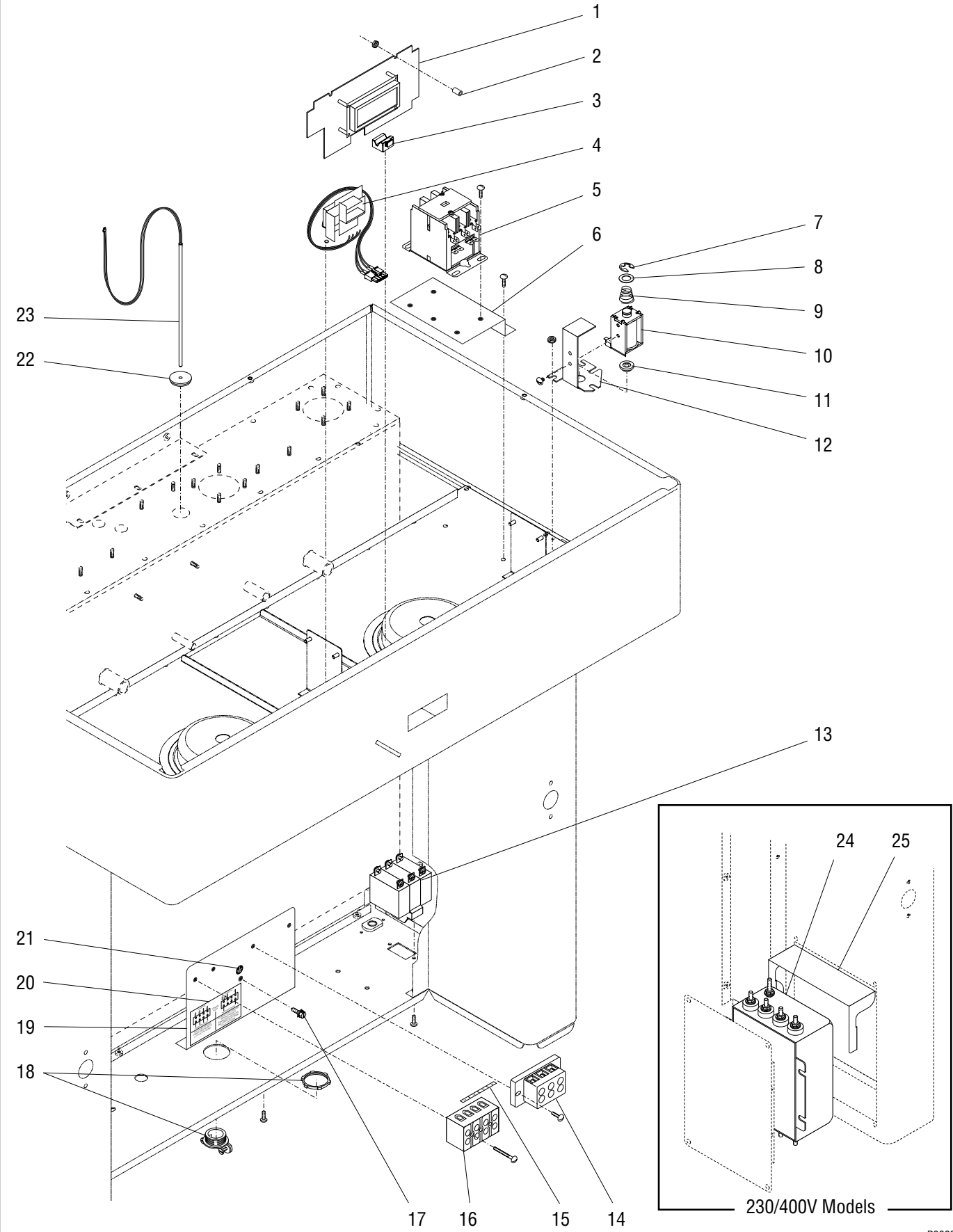


ELECTRICAL CONTROLS

| ITEM | PART NO. | QTY. | DESCRIPTION | |
|------|------------|------|--|--------------------------|
| 1 | 37789.1013 | 1 | Circuit Board, Main control | |
| | 00973.0000 | 2 | Nut, Keps #6-32 | |
| 2 | 01533.0002 | 2 | Spacer | |
| 3 | 36366.0000 | 1 | Mount, Circuit Board | |
| 4 | 34307.1001 | 1 | Transformer, 10VA 120 to 12V | |
| | 34307.1002 | 1 | Transformer, 10VA 230 to 12V | |
| | 00970.0000 | 2 | Nut, Keps #8-32 | |
| 5 | 38045.0001 | 1 | Contactor, 3-pole 120V | |
| | 38045.0000 | 1 | Contactor, 3-pole 208/240V | |
| | 02331.0000 | 4 | Screw, Truss Head #10-32 x .375" | |
| 6 | 39535.0000 | 1 | Bracket, Contactor Mounting | |
| | 02308.0000 | 2 | Screw, Pan Head #8-32 x .38" | |
| 7 | 39981.0000 | 2 | Ring, Solenoid | |
| 9 | ----- | 2 | Washer, Nylon .44" ID x .68" OD | } Also see item 32 |
| 9 | 39982.0000 | 2 | Spring, Solenoid | |
| 10 | 35955.0000 | 2 | Coil, Solenoid, 120V (Includes items 7 thru 9) | |
| | 35955.0001 | 2 | Coil, Solenoid, 220V (Includes items 7 thru 9) | |
| | 33613.0000 | 4 | Screw, Truss Head #8-32 x .25" | |
| | 01519.0000 | 4 | Lockwasher, Split #8 | |
| 11 | 35953.0000 | 2 | Guide, Pin | |
| 12 | 38280.0000 | 2 | Bracket, Solenoid | |
| | 00970.0000 | 4 | Nut, Keps #8-32 | |
| 13 | 38894.0002 | 1 | Switch, Main Power | |
| | 01308.0002 | 2 | Screw, Truss Head #6-32 x .25" (Switch Mounting) | |
| | 01327.0000 | 4 | Screw, Pan Head #10-32 x .375" | |
| | 01512.0000 | 4 | Lockwasher, External Tooth #10 | |
| 14 | 07038.0002 | 1 | Terminal Block, 3 Pole BLACK/RED/BLUE (120/208V, 120/240V & 200V models) | |
| | 01317.0000 | 2 | Screw, Truss Head #8-32 x .50" | |
| 15 | 34588.0001 | 1 | Decal, Terminal Block (L1-L2-L3-N) (1 additional used on 230/400V models) | |
| 16 | 21869.0000 | 1 | Terminal Block, 4 Pole (One additional used on 230/400V models) | |
| | 38030.0000 | 2 | Screw, FilisterHead #8 - 32 x 1.25" (2 additional used on 230/400V models) | |
| 17 | 01309.0000 | 1 | Ground Screw W/Terminal Washer #10-32 x .50" | |
| 18 | 01590.0001 | 1 | Connector, Cable | |
| 19 | 39538.1000 | 1 | Bracket W/Decals, Terminal Block Mtg (120/208 & 120/240V models) | } Includes items 20 & 21 |
| | 39538.1001 | 1 | Bracket W/Decals, Terminal Block Mtg (230/400V models) | |
| | 01317.0003 | 2 | Screw, Truss Head #8-32 x .38" LKG | |
| 20 | 37947.0002 | 1 | Decal, Field Wiring (120/208 & 120/240V models) | |
| | 37947.0003 | 1 | Decal, Field Wiring (230/400V models) | |
| 21 | 00824.0000 | 1 | Decal, Ground | |

(Continued)

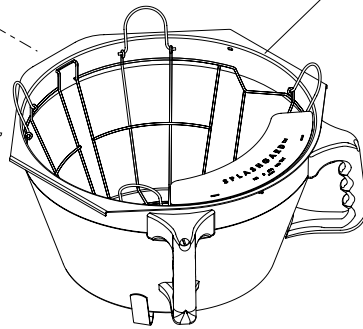
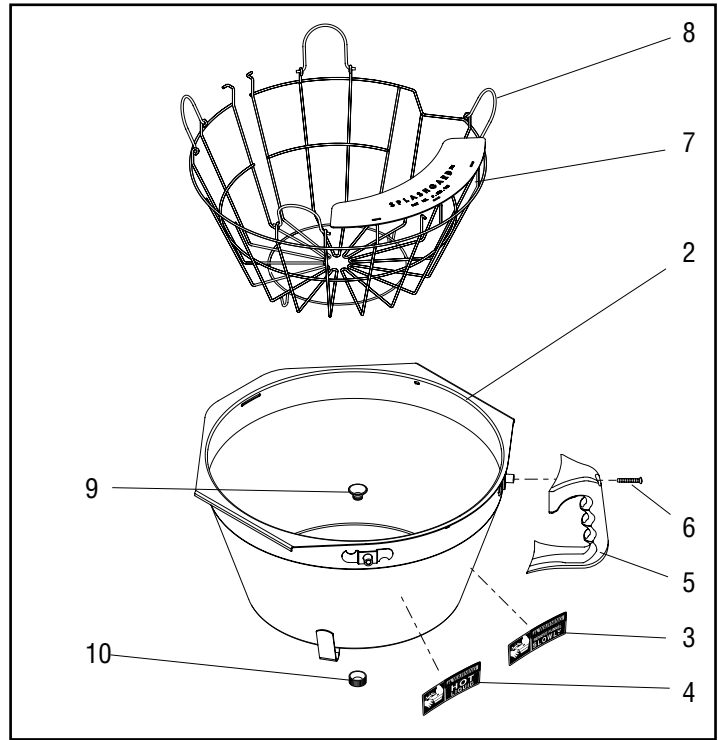
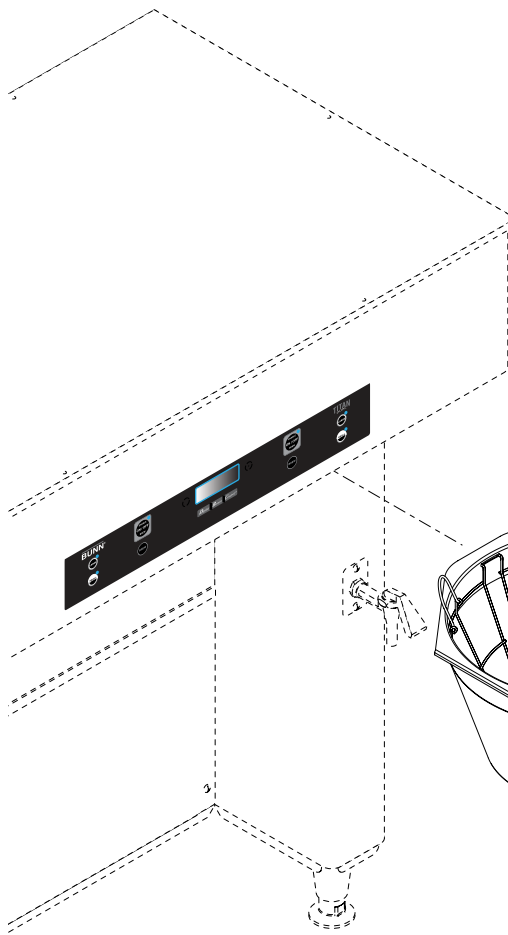
* Indicates the part number listed is for reference only. See DESCRIPTION for possible service replacement.



ELECTRICAL CONTROLS

| ITEM | PART NO. | QTY. | DESCRIPTION |
|---|------------|------|---|
| 22 | 12570.0000 | 1 | Grommet, Temperature Sensor |
| 23 | 40286.0000 | 1 | Probe Kit, Temperature/Dry Plug |
| 24 | 29446.0005 | 1 | EMI Filter, European 36 amp 3 Phase |
| | 02331.0000 | 4 | Screw, Truss Head #10 - 32 x .38" |
| 25 | 41539.0000 | 1 | Guard, EMI Filter |
| NOTE: The following items are not illustrated | | | |
| 26 | 39949.0000 | 1 | Wiring Harness, Heater Return (120/208 & 120/240V models) |
| | 39949.0001 | 1 | Wiring Harness, Heater Return (230/400V models) |
| 27 | 39950.0000 | 1 | Wiring Harness, Contactor-Out |
| 28 | 39953.0000 | 1 | Wiring Harness, Main |
| 29 | 39952.0000 | 1 | Wiring Harness, Liquid Level |
| 30 | 37859.0006 | 1 | Wiring Harness, Main Power Sw. to Terminal Blocks (120/208 & 120/240V models) |
| | 37859.0007 | 1 | Wiring Harness, Main Power Sw. to EMI Filter |
| | 37859.0008 | 1 | Wiring Harness, Terminal Block to Main Power Sw. |
| | 34707.0007 | 1 | Wiring Harness, EMI Filter to Terminal Block |
| | 37859.0009 | 1 | Wiring Harness, Terminal Block to Main Power Sw. |
| | 34707.0008 | 1 | Wiring Harness, EMI Filter to Terminal Block |
| | | | } 230/400V models |
| | | | } 200V models |
| 31 | 39951.0000 | 1 | Wiring Harness, Terminal Block/Contactor |
| 32 | 35952.1003 | - | Solenoid Assy, Funnel Lock 120V (Includes items 7 thru 12) |

* Indicates the part number listed is for reference only. See DESCRIPTION for possible service replacement.



FUNNEL

| ITEM | PART NO. | QTY. | DESCRIPTION |
|------|------------|------|---|
| 1 | 40114.0000 | 2 | Funnel Assy, SST (Each includes Items 2 thru 9) |
| 2 | 39358.1002 | 1 | Funnel W/Decals (Includes items 3 & 4) |
| 3 | 03408.0004 | 1 | Decal, Caution-Remove Funnel |
| 4 | 03409.0004 | 1 | Decal, Caution-Hot Liquid |
| 5 | 12485.0007 | 2 | Handle, Funnel-Black |
| 6 | 12499.0002 | 2 | Screw, Round Head .BLK 25" - 20 x 1.5" |
| 7 | 39372.0001 | 1 | Filter Basket w/Splash Guard |
| 8 | 39359.0002 | 4 | T-Ring, Funnel Basket (Refer to item 12) |
| 9 | 32139.0000 | 1 | Insert, Funnel Tip - Male (Refer to item 11) |
| 10 | 32140.0000 | 1 | Insert, Funnel Tip - Female (Refer to item 11) |
| 11 | 01031.0001 | - | Funnel Tip Kit (Includes items 9 & 10) |
| 12 | 39359.1002 | - | T-Ring Kit (Includes 4 of item 8) |

* Indicates the part number listed is for reference only. See DESCRIPTION for possible service replacement.

NUMERICAL INDEX

| PART NO. | PAGE NO. | PART NO. | PAGE NO. | PART NO. | PAGE NO. | PART NO. | PAGE NO. |
|-----------------|----------|-----------------|----------|-----------------|----------|-----------------|----------|
| 00310.0008..... | 11 | 12422.0001..... | 17 | 35953.0000..... | 19 | 39978.0000..... | 13 |
| 00619.0013..... | 17 | 12422.0005..... | 9,13 | 35955.0000..... | 19 | 39978.0001..... | 13 |
| 00656.0001..... | 5 | 12422.0008..... | 13 | 35955.0001..... | 19 | 39981.0000..... | 19 |
| 00658.0000..... | 5 | 12422.0009..... | 13 | 36081.0000..... | 11 | 39982.0000..... | 19 |
| 00824.0000..... | 19 | 12485.0007..... | 23 | 36085.0000..... | 11 | 39990.0000..... | 9 |
| 00908.0000..... | 7,9 | 12499.0002..... | 23 | 36366.0000..... | 19 | 40040.0000..... | 11 |
| 00929.0001..... | 11 | 12559.0003..... | 5 | 36478.0000..... | 11 | 40041.0000..... | 5 |
| 00946.0000..... | 7 | 12570.0000..... | 21 | 37789.1013..... | 19 | 40042.0000..... | 5 |
| 00957.0001..... | 15 | 12756.0000..... | 11 | 37859.0006..... | 21 | 40114.0000..... | 23 |
| 00970.0000..... | 13,19 | 12757.0000..... | 11 | 37859.0007..... | 21 | 40171.0000..... | 11 |
| 00971.0000..... | 7,9 | 12919.0001..... | 11 | 37859.0008..... | 21 | 40181.0001..... | 13 |
| 00973.0000..... | 19 | 13054.0000..... | 17 | 37859.0009..... | 21 | 40182.0000..... | 13 |
| 00986.0000..... | 5 | 20203.0100..... | 7 | 37881.0000..... | 5 | 40183.0000..... | 15 |
| 01031.0001..... | 23 | 20936.1000..... | 7 | 37947.0002..... | 19 | 40184.0000..... | 13 |
| 01308.0002..... | 19 | 21801.0002..... | 7 | 37947.0003..... | 19 | 40186.0000..... | 13 |
| 01309.0000..... | 19 | 21869.0000..... | 19 | 38030.0000..... | 19 | 40206.0000..... | 15 |
| 01315.0000..... | 5,11,17 | 22728.0000..... | 7 | 38045.0000..... | 19 | 40206.0001..... | 13 |
| 01315.0005..... | 5 | 23255.0000..... | 13 | 38045.0001..... | 19 | 40206.0002..... | 13 |
| 01317.0000..... | 19 | 23717.0003..... | 7 | 38280.0000..... | 19 | 40206.0003..... | 13 |
| 01317.0003..... | 9,19 | 25151.0000..... | 5 | 38894.0002..... | 19 | 40206.0004..... | 13 |
| 01501.0000..... | 7 | 26622.0001..... | 7 | 39358.1002..... | 23 | 40286.0000..... | 21 |
| 01512.0000..... | 19 | 27370.0003..... | 13 | 39359.0002..... | 23 | 40348.0000..... | 13 |
| 01514.0000..... | 11 | 27370.0005..... | 13 | 39359.1002..... | 23 | 40349.0000..... | 13 |
| 01519.0000..... | 19 | 27473.0000..... | 7 | 39372.0001..... | 23 | 40350.1000..... | 13 |
| 01527.0000..... | 7 | 28526.0032..... | 17 | 39512.0000..... | 5 | 40507.0000..... | 11 |
| 01533.0002..... | 19 | 28526.1002..... | 17 | 39514.1000..... | 5 | 40507.0002..... | 11 |
| 01544.0000..... | 17 | 28706.0002..... | 17 | 39516.1000..... | 5 | 40809.0000..... | 11 |
| 01590.0001..... | 19 | 29075.0002..... | 17 | 39516.1001..... | 5 | 40817.0000..... | 11 |
| 01592.0001..... | 9 | 29264.0000..... | 17 | 39518.1000..... | 5 | 40818.0000..... | 11 |
| 02308.0000..... | 5,11 | 29446.0005..... | 21 | 39518.1001..... | 5 | 40831.0000..... | 11 |
| 02331.0000..... | 19,21 | 29710.0015..... | 5 | 39518.1002..... | 5 | 40832.0000..... | 11 |
| 02434.0010..... | 7 | 29710.0019..... | 5 | 39520.0000..... | 5 | 40886.1000..... | 5 |
| 02434.1000..... | 7 | 29710.0020..... | 5 | 39521.1000..... | 5 | 40892.0000..... | 11 |
| 02536.0000..... | 7,13 | 32139.0000..... | 23 | 39530.1000..... | 5 | 41096.0000..... | 5 |
| 02594.0000..... | 17 | 32140.0000..... | 23 | 39535.0000..... | 19 | 41498.0001..... | 11 |
| 02595.0000..... | 17 | 32359.0000..... | 11 | 39536.0000..... | 11 | 41539.0000..... | 21 |
| 02766.0000..... | 17 | 32591.0003..... | 13 | 39538.1000..... | 19 | M2517.0000..... | 11 |
| 02854.0000..... | 17 | 32591.0011..... | 9 | 39538.1001..... | 19 | | |
| 02856.0009..... | 17 | 32591.0018..... | 13 | 39540.0000..... | 9 | | |
| 02858.0000..... | 17 | 32591.1001..... | 15 | 39544.0000..... | 5 | | |
| 02861.0003..... | 17 | 32591.1002..... | 9,15 | 39545.0000..... | 9 | | |
| 03236.0027..... | 7 | 33613.0000..... | 19 | 39546.0000..... | 15 | | |
| 03236.1001..... | 7 | 34307.1001..... | 19 | 39548.0000..... | 9 | | |
| 03236.1002..... | 7 | 34307.1002..... | 19 | 39618.1001..... | 9 | | |
| 03236.1003..... | 7 | 34588.0001..... | 19 | 39803.0000..... | 5 | | |
| 03408.0004..... | 23 | 34707.0007..... | 21 | 39827.0001..... | 17 | | |
| 03409.0004..... | 23 | 34707.0008..... | 21 | 39884.1001..... | 5 | | |
| 03633.0000..... | 7 | 34768.0001..... | 11 | 39925.0000..... | 13 | | |
| 03803.0002..... | 7 | 34801.0000..... | 13 | 39949.0000..... | 21 | | |
| 03807.0000..... | 7 | 34867.0006..... | 15 | 39949.0001..... | 21 | | |
| 04797.0000..... | 7 | 34868.0000..... | 15 | 39950.0000..... | 21 | | |
| 07038.0002..... | 19 | 35052.0004..... | 13 | 39951.0000..... | 21 | | |
| 11517.0008..... | 15 | 35052.0005..... | 13 | 39952.0000..... | 21 | | |
| 11630.0001..... | 9 | 35052.1000..... | 15 | 39953.0000..... | 21 | | |
| 12305.1000..... | 7 | 35070.0002..... | 15 | 39965.0000..... | 11 | | |
| 12322.1000..... | 7 | 35086.0000..... | 9 | 39972.0000..... | 5 | | |
| 12398.0002..... | 7 | 35308.1006..... | 15 | 39972.0001..... | 5 | | |
| 12422.0000..... | 7 | 35952.1003..... | 21 | 39972.0002..... | 5 | | |