

# BUNN®

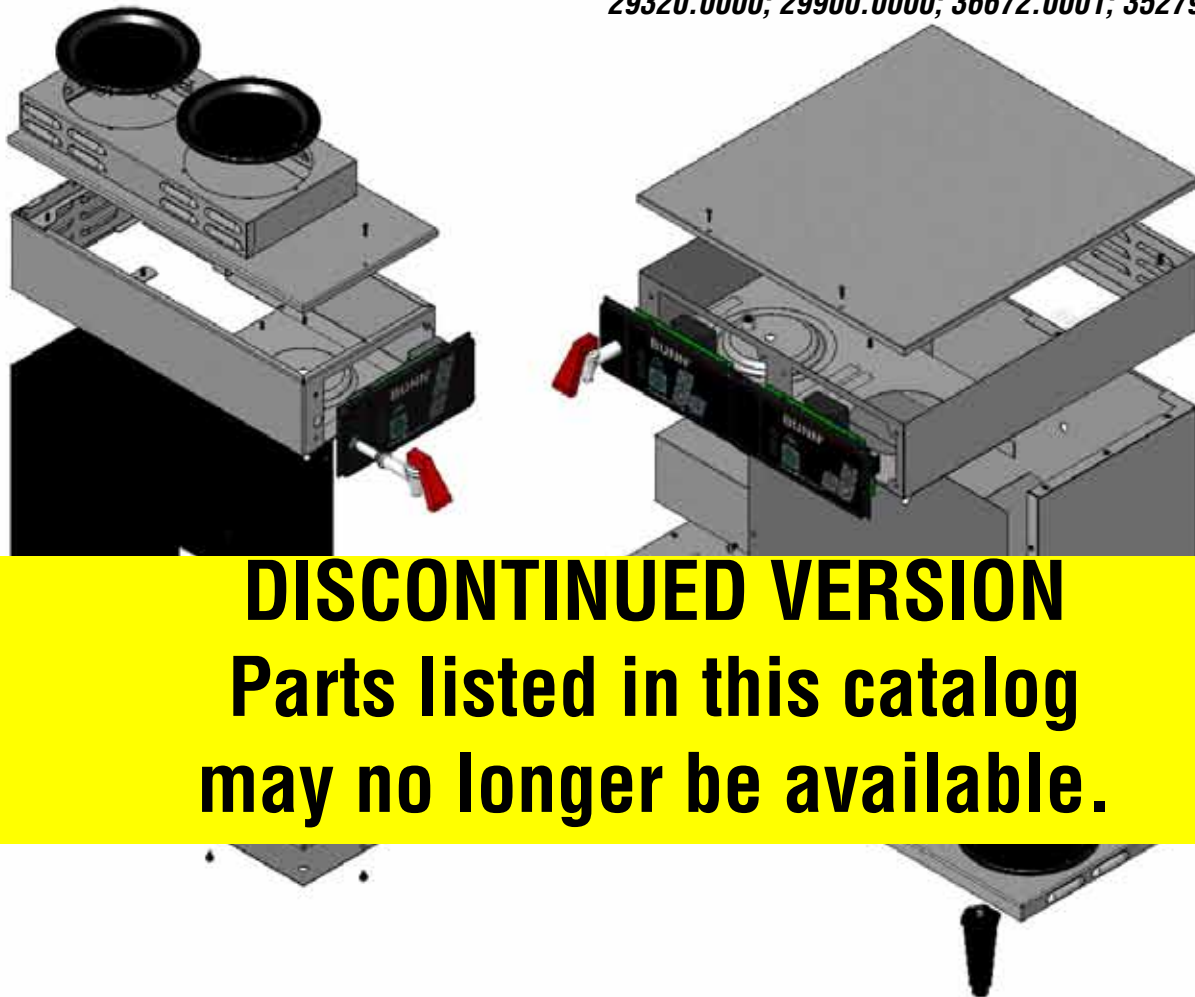
## *CDBC-CEZ Series*

*Including DV, MV, Pourover,  
APS/TC/TS, Twins & Single CD*

*Supersedes Illustrated Parts Catalogs:*

*29080.0000; 29080.0001; 29254.0000;*

*29320.0000; 29900.0000; 36672.0001; 35279.0000*

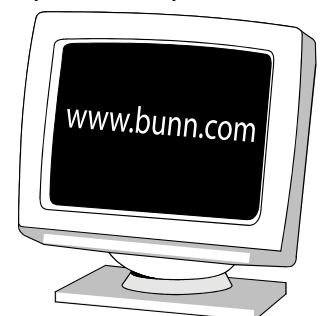


**DISCONTINUED VERSION**  
**Parts listed in this catalog**  
**may no longer be available.**

## **ILLUSTRATED PARTS CATALOG**

Designs, materials, weights, specifications, and dimensions for equipment or replacement parts are subject to change without notice.

**BUNN-O-MATIC CORPORATION**  
POST OFFICE BOX 3227  
SPRINGFIELD, ILLINOIS 62708-3227  
PHONE: (217) 529-6601 FAX: (217) 529-6644



## **BUNN-O-MATIC COMMERCIAL PRODUCT WARRANTY**

Bunn-O-Matic Corp. ("BUNN") warrants equipment manufactured by it as follows:

- 1) All equipment other than as specified below: 2 years parts and 1 year labor.
- 2) Electronic circuit and/or control boards: parts and labor for 3 years.
- 3) Compressors on refrigeration equipment: 5 years parts and 1 year labor.
- 4) Grinding burrs on coffee grinding equipment to grind coffee to meet original factory screen sieve analysis: parts and labor for 3 years or 30,000 pounds of coffee, whichever comes first.

These warranty periods run from the date of installation BUNN warrants that the equipment manufactured by it will be commercially free of defects in material and workmanship existing at the time of manufacture and appearing within the applicable warranty period. This warranty does not apply to any equipment, component or part that was not manufactured by BUNN or that, in BUNN's judgment, has been affected by misuse, neglect, alteration, improper installation or operation, improper maintenance or repair, damage or casualty. This warranty is conditioned on the Buyer 1) giving BUNN prompt notice of any claim to be made under this warranty by telephone at (217) 529-6601 or by writing to Post Office Box 3227, Springfield, Illinois 62708-3227; 2) if requested by BUNN, shipping the defective equipment prepaid to an authorized BUNN service location; and 3) receiving prior authorization from BUNN that the defective equipment is under warranty.

**THE FOREGOING WARRANTY IS EXCLUSIVE AND IS IN LIEU OF ANY OTHER WARRANTY, WRITTEN OR ORAL, EXPRESS OR IMPLIED, INCLUDING, BUT NOT LIMITED TO, ANY IMPLIED WARRANTY OF EITHER MERCHANTABILITY OR FITNESS FOR A PARTICULAR PURPOSE.** The agents, dealers or employees of BUNN are not authorized to make modifications to this warranty or to make additional warranties that are binding on BUNN. Accordingly, statements by such individuals, whether oral or written, do not constitute warranties and should not be relied upon.

If BUNN determines in its sole discretion that the equipment does not conform to the warranty, BUNN, at its exclusive option while the equipment is under warranty, shall either 1) provide at no charge replacement parts and/or labor (during the applicable parts and labor warranty periods specified above) to repair the defective components, provided that this repair is done by a BUNN Authorized Service Representative; or 2) shall replace the equipment or refund the purchase price for the equipment.

**THE BUYER'S REMEDY AGAINST BUNN FOR THE BREACH OF ANY OBLIGATION ARISING OUT OF THE SALE OF THIS EQUIPMENT, WHETHER DERIVED FROM WARRANTY OR OTHERWISE, SHALL BE LIMITED, AT BUNN'S SOLE OPTION AS SPECIFIED HEREIN, TO REPAIR, REPLACEMENT OR REFUND.**

In no event shall BUNN be liable for any other damage or loss, including, but not limited to, lost profits, lost sales, loss of use of equipment, claims of Buyer's customers, cost of capital, cost of down time, cost of substitute equipment, facilities or services, or any other special, incidental or consequential damages.

AutoPOD, AXIOM, BrewLOGIC, BrewMETER, Brew Better Not Bitter, BrewWISE, BrewWIZARD, BUNN Espresso, BUNN Family Gourmet, BUNN Gourmet, BUNN Pour-O-Matic, BUNN, BUNN with the stylized red line, BUNNlink, Bunn-OMatic, Bunn-O-Matic, BUNNserve, BUNNSERVE with the stylized wrench design, Cool Froth, DBC, Dr. Brew stylized Dr. design, Dual, Easy Pour, EasyClear, EasyGard, FlavorGard, Gourmet Ice, Gourmet Juice, High Intensity, iMIX, Infusion Series, Intellisteam, My Café, PowerLogic, Quality Beverage Equipment Worldwide, Safety-Fresh, savemycoffee.com, Scale-Pro, Silver Series, Single, Smart Funnel, Smart Hopper, SmartWAVE, Soft Heat, SplashGard, The Mark of Quality in Beverage Equipment Worldwide, ThermoFresh, 392, A Partner You Can Count On, Air Brew, Air Infusion, Beverage Bar Creator, Beverage Profit Calculator, Brew better, not bitter., BUNNSource, Coffee At Its Best, Cyclonic Heating System, Digital Brewer Control, Nothing Brews Like a BUNN, Pouring Profits, Respect Earth, Respect Earth with the stylized leaf and coffee cherry design, Seed to Cup Cafe, Signature Series, Tea At Its Best, Phase Brew, The Horizontal Red Line, Titan, trifecta, Ultra, Velocity Brew are either trademarks or registered trademarks of Bunn-O-Matic Corporation.

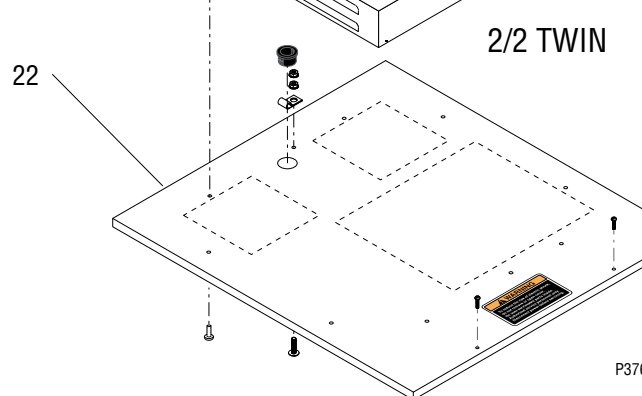
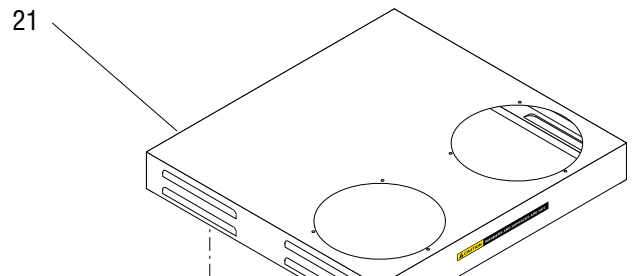
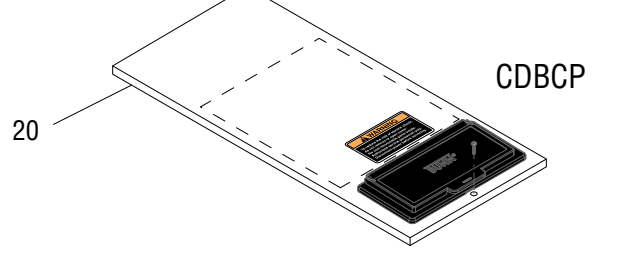
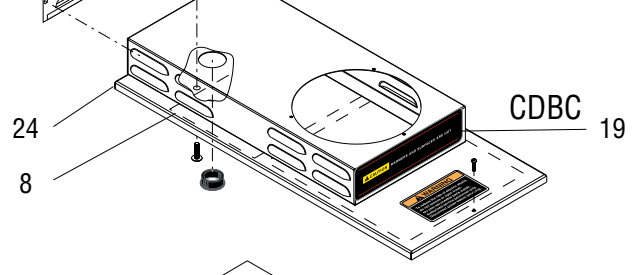
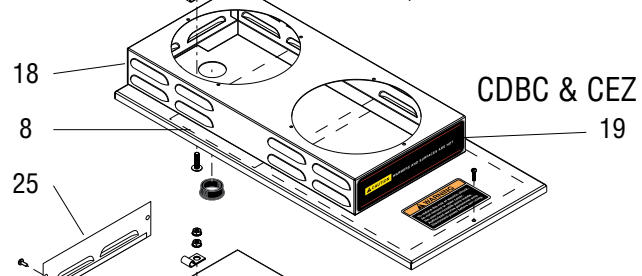
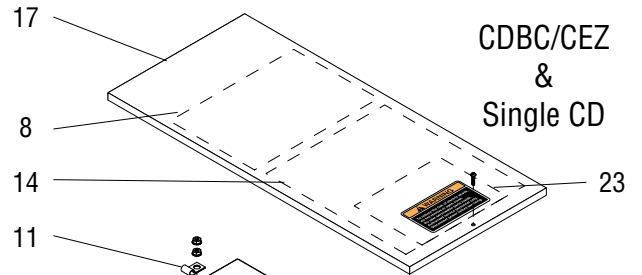
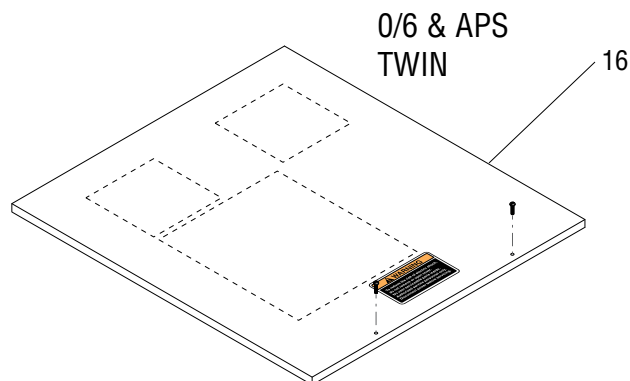
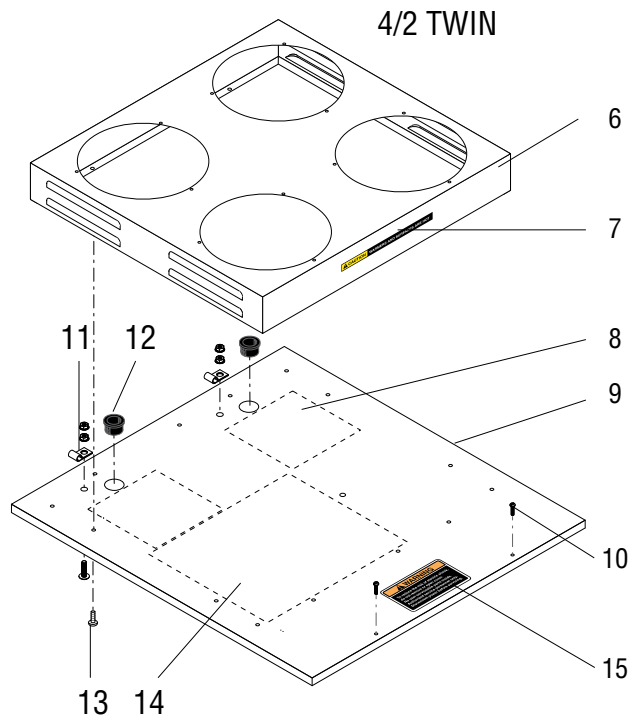
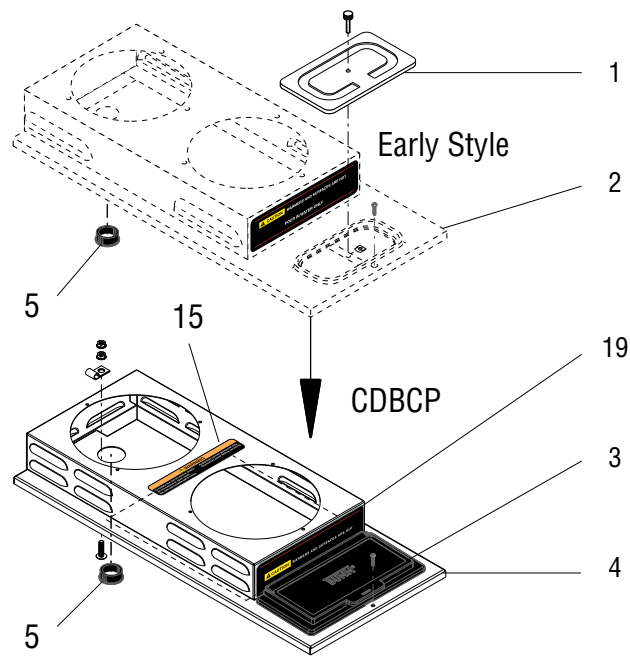
## TABLE OF CONTENTS

TOP COVERS .....	4
HOOD ASSEMBLIES .....	6
TRUNKS.....	8
BASES.....	12
TANK AND COMPONENTS .....	16
DISPENSE VALVE, SPRAYHEAD, & FAUCET .....	20
FILL SOLENOID VALVE AND DRAIN .....	24
WARMER ASSEMBLIES.....	26
ELECTRICAL AND OPERATING CONTROLS .....	28
FUNNELS .....	34
NUMERICAL INDEX .....	36

### Explanation of codes:

- 15** - All components in machine are rated for 120 Volts ac, (15 Amps)
- 20** - All components in machine are rated for 120 Volts ac, (20 Amps)
- 35 (120/240V)** - Tank heater rated for 240 volts ac, all other components rated for 120 volts ac (20 Amps)
- DV** - Dual Voltage. 2 tank heaters with toggle switch
- MV** - Multi Voltage. 2 tank heaters with terminal block. (Replaced by DV)
- A** - All components in machine are rated for 240 volts ac.
- B** - All components are rated for either 100 volts ac, or 200 volts ac.
- CE** - All components are rated for 230 volts ac for use in Europe.
- CDBC Series** - Digital brewer with membrane switches (touch pad)
- CEZ Series - (Obsoleted)** Digital brewer with lighted switches (looks like the CWTF Series!)
- TWIN** - 2 brewers in 1 chassis.
- APS** - Airpot Server (No warmers)
- TC** - Thermal Carafe (No warmers)
- TS** - Thermal Server (No warmers)

Fraction	Decimal		Fraction	Decimal
<b>1/16</b>	0.063		<b>9/16</b>	0.563
<b>1/8</b>	0.125		<b>5/8</b>	0.625
<b>3/16</b>	0.188		<b>11/16</b>	0.688
<b>1/4</b>	0.250		<b>3/4</b>	0.750
<b>5/16</b>	0.313		<b>13/16</b>	0.813
<b>3/8</b>	0.375		<b>7/8</b>	0.875
<b>7/16</b>	0.438		<b>15/16</b>	0.938
<b>1/2</b>	0.500		<b>1</b>	1.000



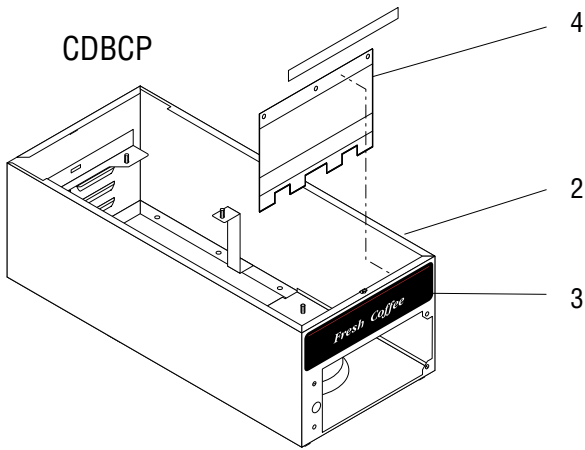
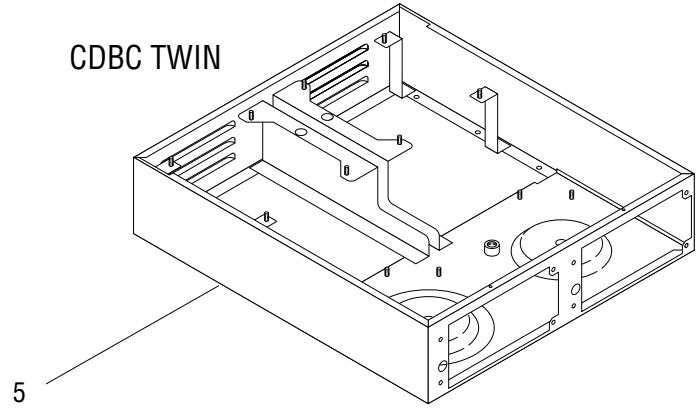
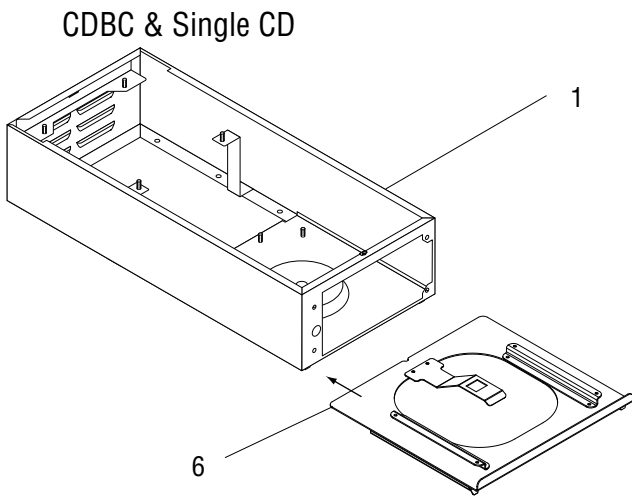
P3769.4

\* Indicates the part number listed is for reference only. See DESCRIPTION for possible service replacement.

## TOP COVER ASSEMBLIES

ITEM	PART NO.	QTY. TWIN	QTY. SINGLE	DESCRIPTION
1	02722.0000	-	1	Lid, Pour-in SST
	01319.0000	-	1	SST thumbscrew # 8-32 x .75"
	00912.0000	-	1	Fastener, "J" Type # 8-32
2	25312.0001*	-	1	Cover Assembly SST CDBCP (Obsolete Order Item 4)
3	38498.1000	-	1	Flip Lid Assembly w/Clip
4	38496.1002	-	1	Cover Assembly SST CDBCP (Includes Items 3, 5, 15 & 19)
5	01592.0001	1	1	Bushing, Snap 1.188" Dia.
6	24254.0001	1	-	Housing, Warmer 4/2 Models (Includes item 7)
7	12364.0000	1	-	Decal, Caution-Warmers are Hot
8	25151.0000	-	1	Shield, Level Probe Insulator 5" x 7.313" (Not Used in CDBCP)
	25151.0001	2	-	Shield, Level Probe Insulator 4" x 4"
9	23260.1005	1	-	Cover, Top SST 4/2 Models (Includes Items 8 & 15)
10	01303.0000	2	1	Screw, SST Panhead #4-40 x .5"
	01303.0002	2	1	Screw, BLK Panhead #4-40 x .5"
11	41760.0000	2	1	Clip, Cable - SST
	01326.0007	2	1	Screw, TRH SLTD 10-32x.75LG
	00971.0000	4	2	Nut, Keps #10-32 Zinc Pl
12	01592.0000	2	1	Bushing, Snap 1" Dia. (2 Used on 4/2 Models)
13	01347.0000	10	-	Screw, Truss Head #6-32 x .375" (6 Used on 2/2 Rear Warmer Models)
14	29206.0000	1	1	Decal, Diagnostic
15	37881.0000	1	1	Decal, No User Serviceable Parts
	37881.0002	-	1	Decal, No User Serviceable Parts (CDBCP Only)
16	23260.1004	1	-	Cover, Top SST 0/6 Models & APS (Includes Items 8 & 15)
	23260.1008	1	-	Cover, Top BLK 0/6 Models & APS (Includes Items 8 & 15)
17	34070.1001	-	1	Cover, Top SST CDBC, CEZ, & APS (Includes Items 8 & 15)
	25309.1004	-	1	Cover, Top BLK CDBC, CEZ, & APS (Includes Items 8 & 15)
18	34069.1000	-	1	Cover Assembly, SST CDBC & CEZ 2 Warmer (Includes Items 5, 15 & 19)
	25312.1004	-	1	Cover Assembly BLK CDBC & CEZ 2 Warmer (Includes Items 5, 15 & 19)
19	02765.0000	-	1	Decal, Caution-Warmers and Surfaces are Hot
20	38504.1004	-	1	Cover, Top SST CDBCP (Includes Items 3 & 15)
21	24254.0002	1	-	Housing, Warmer 2/2 Models (Includes item 7)
22	25864.1001	1	-	Cover, Top SST 2/2 Models (Includes Items 8 & 15)
23	29684.0000	-	1	Decal, Terminal Block Wiring (MV Only)
24	25312.1007	-	1	Cover Assembly, SST 1 Front Upper Warmer (Includes Items 15 & 19)
25	02732.0000	-	1	Panel
	01315.0000	-	2	Screw, Truss Head #8-32 x .375"

\* Indicates the part number listed is for reference only. See DESCRIPTION for possible service replacement.



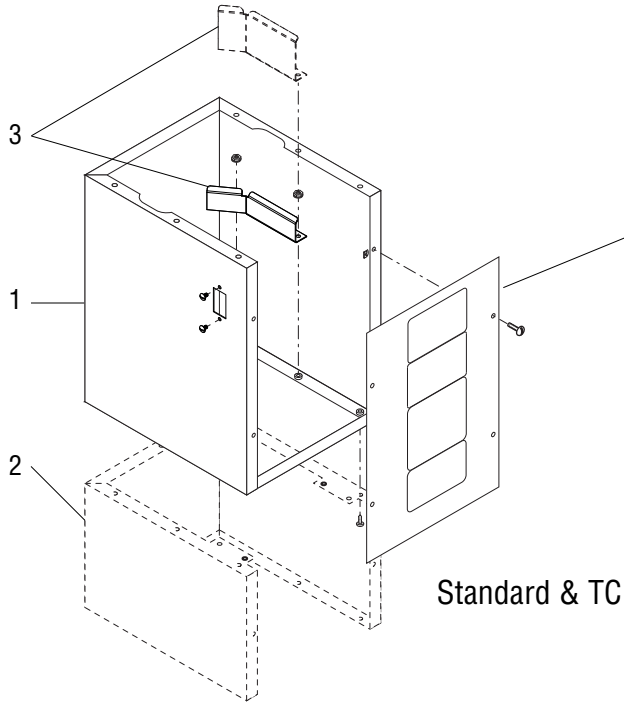
## HOOD ASSEMBLIES

ITEM	PART NO.	QTY. TWIN	QTY. SINGLE	DESCRIPTION
1	34063.0003	-	1	Housing, Hood SST (All CDBC Series Except Pour in)
	34063.0002	-	1	Housing, Hood SST CDBC w/Wide Funnel (7.625")
	02308.0000	-	6	Screw #8-32 x .375" (Hood to Trunk)
2	36757.1000	-	1	Housing, Hood SST CDBCP (Includes item 5)
	36757.1001	-	1	Housing, Hood SST CDBCP w/Flashing Light (Includes item 5)
	02308.0000	-	6	Screw #8-32 x .375" (Hood to Trunk)
3	32143.0000	-	1	Decal, "Fresh Coffee"
4	37182.0000	-	1	Shield, Circuit Board (Pour in only)
5	29314.0005	1	-	Housing, Hood SST All CDBC TWINS
	29314.0004*	1	-	Housing, Hood BLK All CDBC TWINS
	02308.0000	8	-	Screw #8-32 x .375" (Hood to Trunk)
6	39639.1000	-	1	Kit, Wide Funnel Adaptor (Single CD Only)

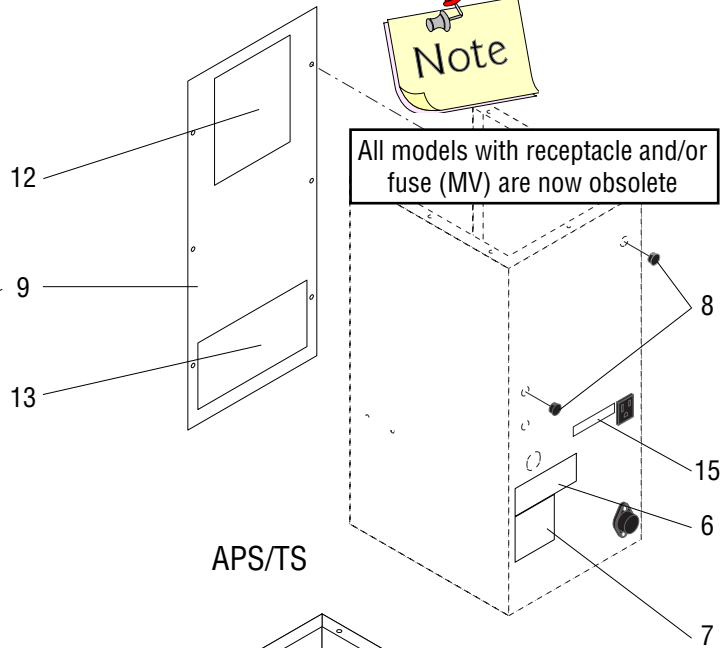
\* Indicates the part number listed is for reference only. See DESCRIPTION for possible service replacement.



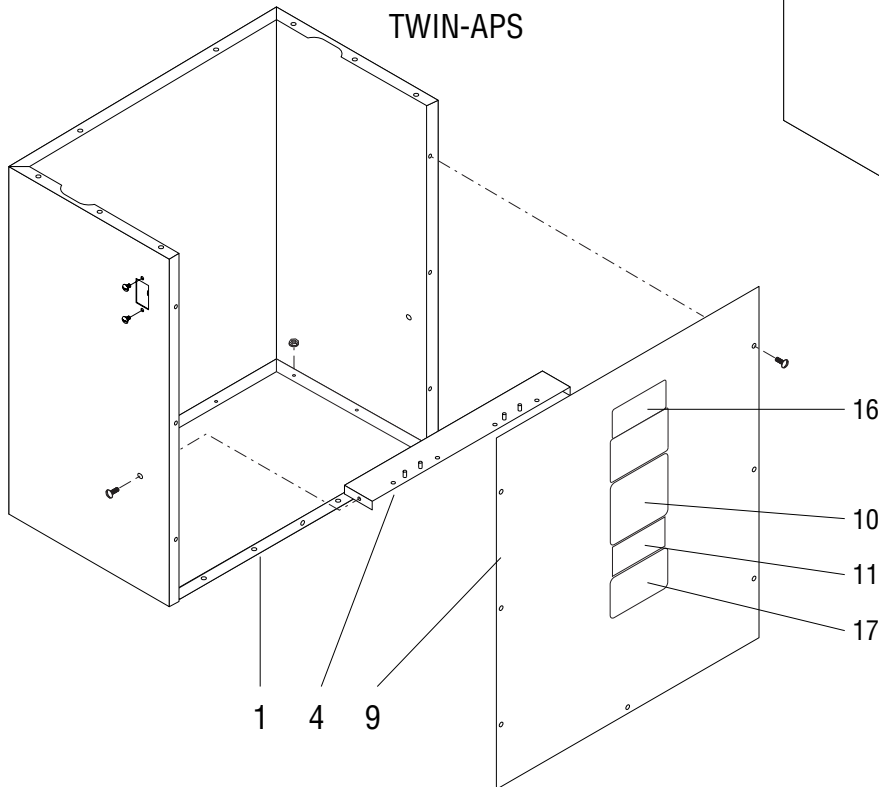
All models with receptacle and/or fuse (MV) are now obsolete



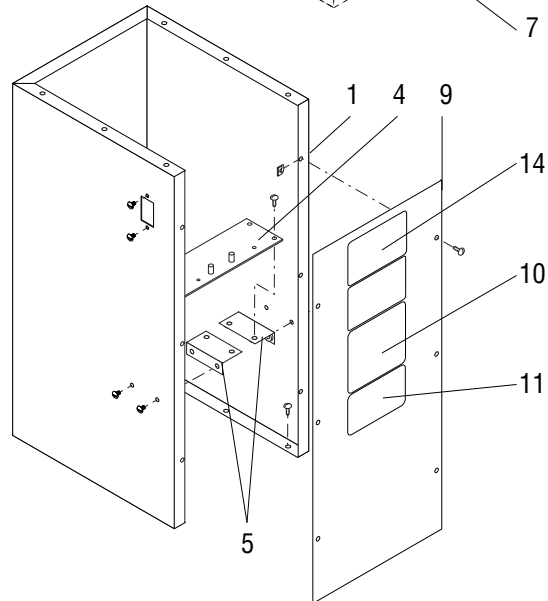
Standard & TC



APS/TS



TWIN-APS



\* Indicates the part number listed is for reference only. See DESCRIPTION for possible service replacement.



## TRUNKS

ITEM	PART NO.	QTY. TWIN	QTY. SINGLE	DESCRIPTION
1	34061.1032	-	1	Trunk, SST, 11.6" Standard
	34061.1031	-	1	Trunk, BLK, 11.6" Standard
	34061.0018	-	1	Trunk, BLK, 11.6" Standard (w/ON/OFF Switch)
	34061.1001	-	1	Trunk, SST, 12.3" TC
	34061.1010	-	1	Trunk, SST, 15.69" Single CD (No Switch)
	41402.1108	-	1	Trunk, SST, 15.69" Single CD (w/ON/OFF Toggle Switch)
	34208.1014	-	1	Trunk, SST, 18.1" APS
	23320.1002	-	1	Trunk, BLK, 18.1" APS
	32325.0000	1	-	Trunk, SST, TWIN APS
	32325.0001	1	-	Trunk, BLK, TWIN APS
	29581.0000	1	-	Trunk, SST, All Other TWINS w/1 Power Cord (w/o ON/OFF Switch)
	23294.1009	1	-	Trunk, SST, All Other TWINS w/1 Power Cord (w/ON/OFF Switch)
	29581.0001*	1	-	Trunk, SST, All Other TWINS w/2 Power Cord (OBSOLETE)
	02308.0000	9	9	Screw #8-32 x .375"
	00970.0000	8	-	Nut, Keps #8-32 (TWIN - APS Only)
	00988.0000	7	6	Fastener, "U" Type #6-32
	2	22748.0000	-	1
22748.0001		-	1	Extension, SST, 10.5"
22748.0002		-	1	Extension, BLK, 10.5"
3	34115.0000	-	1	Channel, Cordset (Early Models 2.25" Tall)
	37930.0000	-	1	Channel, Cordset (Later Models 1.25" Tall)
	00970.0000	-	2	Nut, Keps #8-32
4	26287.0000	1	-	Bracket, Component Mounting (APS Only)
	22733.0000	-	1	Bracket, Component Mounting (APS Only)
	02308.0000	2	4	Screw #8-32 x .375"
5	27929.0000	-	2	Bracket, (APS Only)
	02308.0000	-	4	Screw #8-32 x .375"
6	00656.0000	1	1	Decal, Compliance To Plumbing Code
7	00986.0000	1	1	Decal, Warning-Electrical
8	00669.0003	-	2	Plug
9	11408.1002	-	1	Panel, SST, 11.6" Standard
	11408.1005	-	1	Panel, BLK, 11.6" Standard
	11408.1006	-	1	Panel, SST, 12.3" TC
	22730.1006	-	1	Panel, SST, 15.6" Single CD
	22730.1002	-	1	Panel, SST, 18.1" APS
	22730.1005	-	1	Panel, BLK, 18.1" APS
	22730.1003	-	1	Panel, SST, 22.1" TS
	22730.1009	-	1	Panel, BLK, 22.1" TS
	01382.0000	-	6	Screw, SST #6-32 x .375"
	01382.0002	-	6	Screw, BLK #6-32 x .375"
	26283.1000	1	-	Panel, SST, TWIN APS
	26283.1001	1	-	Panel, BLK, TWIN APS
	23267.1000	1	-	Panel, SST, All Other TWINS
	23267.1001	1	-	Panel, BLK, All Other TWINS
	01315.0000	5	-	Screw, SST #8-32 x .375" (7 Used on APS)
01315.0005	5	-	Screw, BLK #8-32 x .375" (7 Used on APS)	
10	00658.0000	1	1	Decal, Warning-Decanter/Funnel



For newer models with toggle switch, refer to first style (no switch) trunks. All trunks include decals 6 & 7.



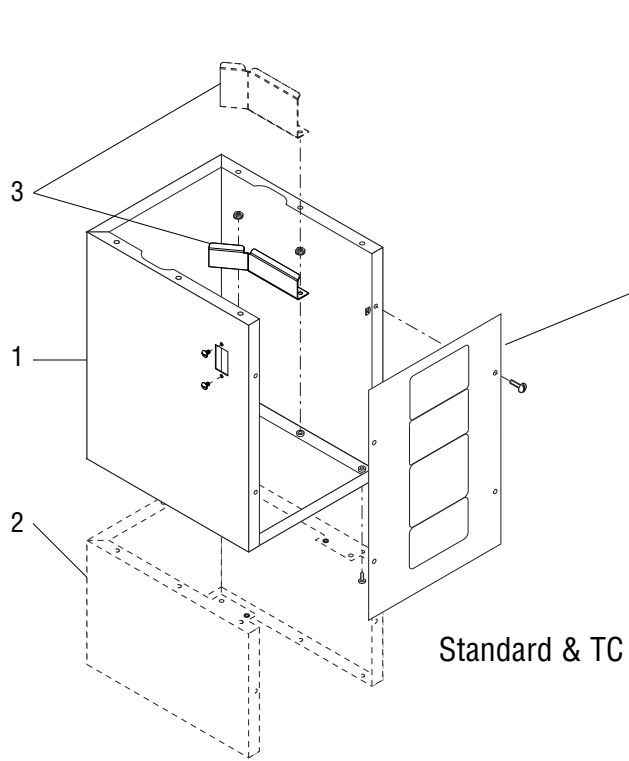
All front panels include decals 00658.0000 & 37881.0000

Continued on next page

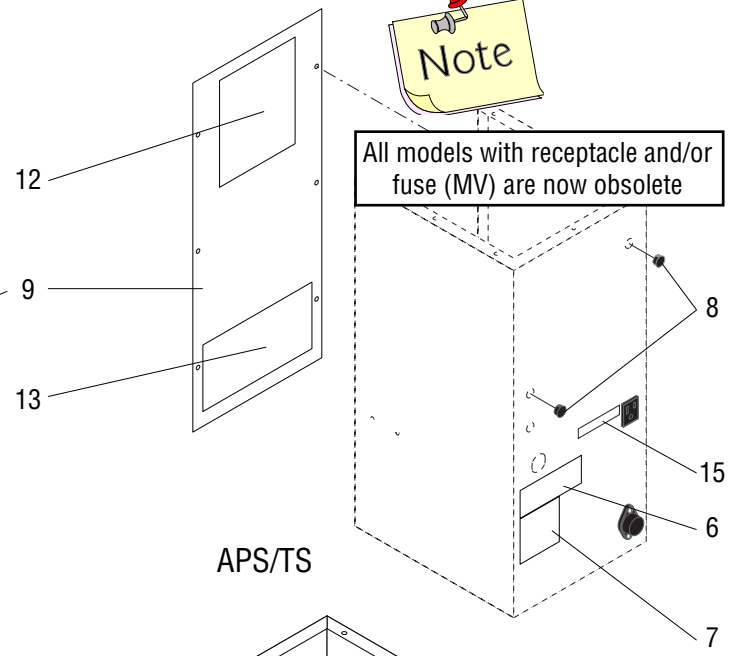
\* Indicates the part number listed is for reference only. See DESCRIPTION for possible service replacement.



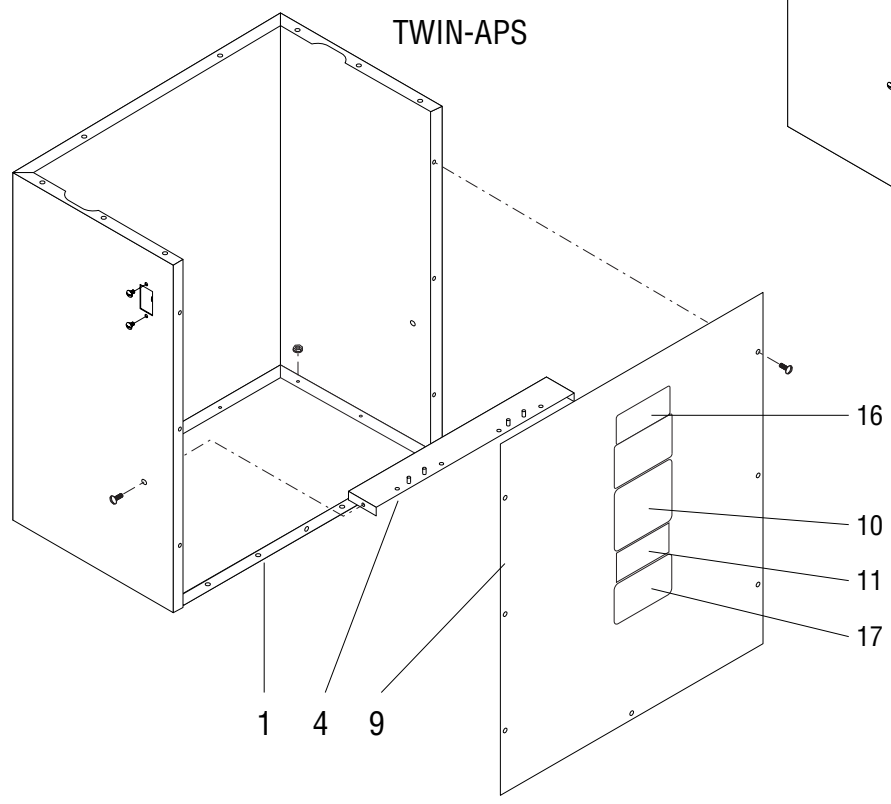
All models with receptacle and/or fuse (MV) are now obsolete



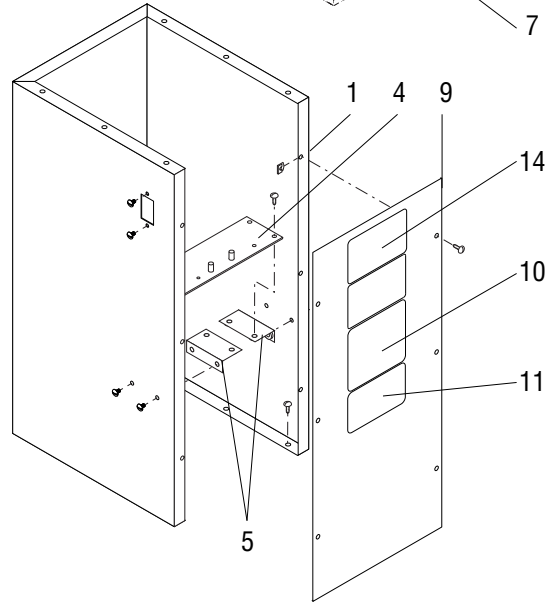
Standard & TC



APS/TS



TWIN-APS



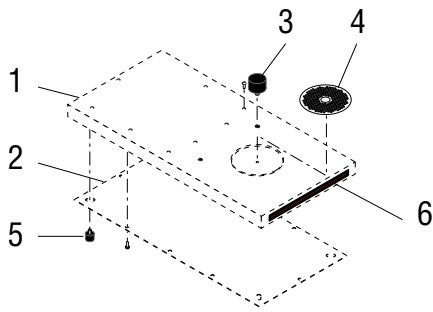
APS/TS

\* Indicates the part number listed is for reference only. See DESCRIPTION for possible service replacement.

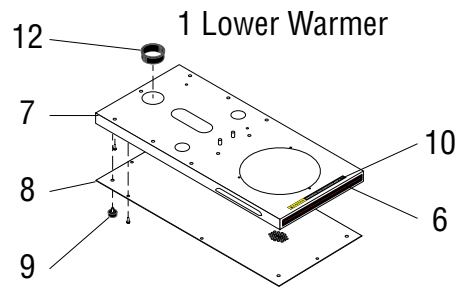
## TRUNKS

ITEM	PART NO.	QTY. TWIN	QTY. SINGLE	DESCRIPTION
11	37881.0000	1	1	Decal, No User Serviceable Parts
12	29076.0000	-	1	Schematic, CEZ-APS -15, 20, 35, 120/208-240V
	29077.0000	-	1	Schematic, CDBC(P)-15, 20, 35, 120/208-240V
	29077.0001	-	1	Schematic, CDBCFPDB35, 200V
	29077.0002	-	1	Schematic, CDBCP(F) 120/208-240V (w/Freshness Light)
	29077.0003	-	1	Schematic, Single CD
	29077.0004	-	1	Schematic, CDBCFPDB, 100V
	29257.0000	-	1	Schematic, CDBC-APS 15, 20, 35, 120/208-240V (w/Outlet)
	29257.0001	-	1	Schematic, CDBC-APS/TC/TS 15, 20, 35, 120/208-240V
	29323.0001	1	-	Schematic, CEZ-TWIN 0/6
	29323.0003	1	-	Schematic, CEZ-TWIN 2/2 & 4/2
	29323.0005	1	-	Schematic, CDBC-TWIN 0/6
	29323.0006	1	-	Schematic, CDBC-TWIN 2/2
	29323.0007	1	-	Schematic, CDBC-TWIN 4/2
	29685.0000	-	1	Schematic, CDBC MV
	29685.0001	-	1	Schematic, CDBC-APS MV
	29685.0002	-	1	Schematic, CDBC-DV (1425W & 1800W)
	29685.0003	-	1	Schematic, CDBC-APS/TC DV (1425W & 1800W)
29685.0004	-	1	Schematic, CDBC-DV (1425W & 2268W)	
29685.0005	-	1	Schematic, CDBC-APS/TC DV (1425W & 2268W)	
32161.0000	1	-	Schematic, CDBC-TWIN APS	
13	29167.0000	1	1	Decal, Brew Temp/Lockout (CEZ Only)
14	29710.0000	-	1	Decal, Optional Field Wiring (3 Warmer) (MV Only)
	29710.0004	-	1	Decal, Optional Field Wiring (APS/TC - DV Only)
	29710.0007	-	1	Decal, Optional Field Wiring (3 Warmer) (DV Only)
15	02822.0000	-	1	Decal, 200 Watts Maximum
16	12183.0002	1	-	Decal, 20 amp Electrical Circuit (Brewers with two Power Cords)
17	12104.0000	1	-	Decal, Warning-Power Supply (Brewers with two Power Cords)

\* Indicates the part number listed is for reference only. See DESCRIPTION for possible service replacement.

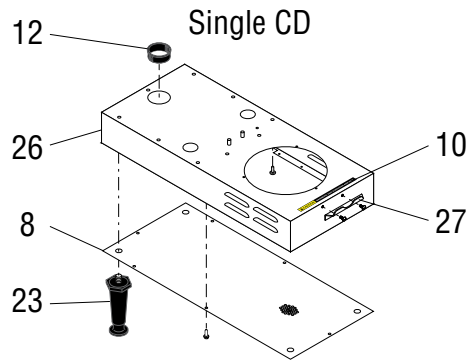
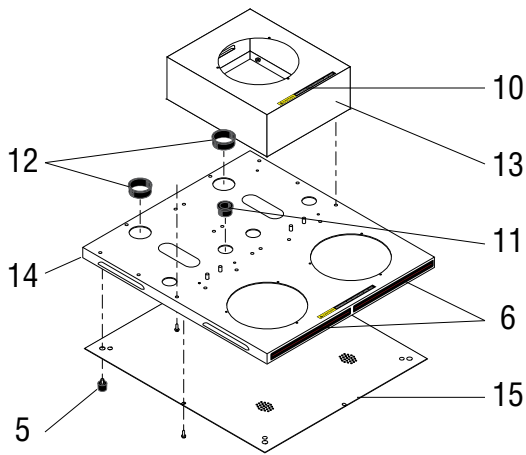


APS/TS



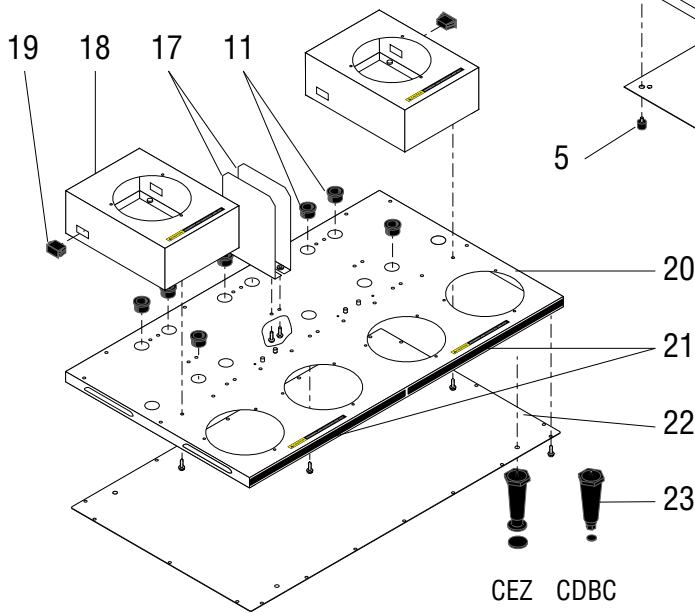
1 Lower Warmer

3 Lower Warmers

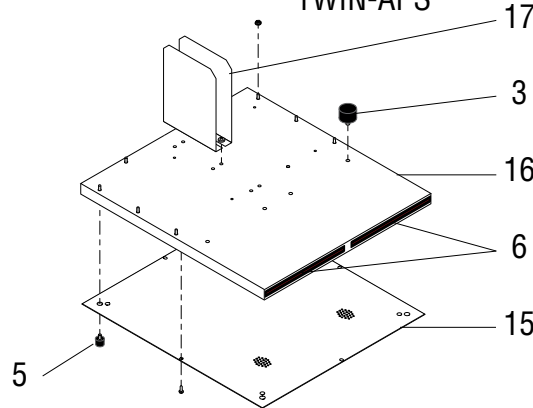


Single CD

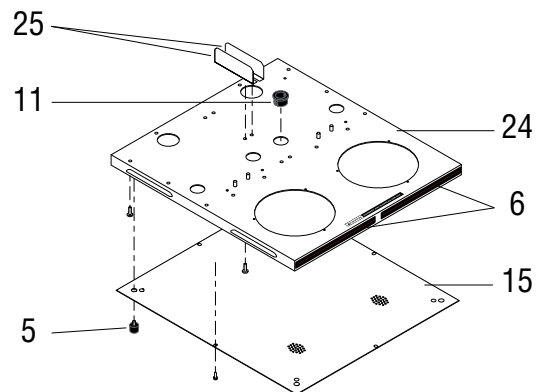
TWIN-0/6



TWIN-APS



TWIN-2/2 & 4/2



CEZ CDBC

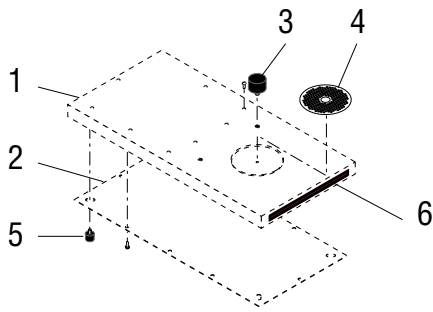
\* Indicates the part number listed is for reference only. See DESCRIPTION for possible service replacement.

## BASES

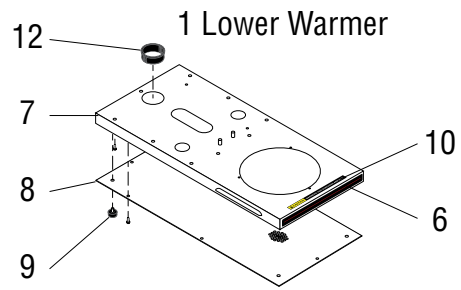
ITEM	PART NO.	QTY. TWIN	QTY. SINGLE	DESCRIPTION
1	23321.0000	-	1	Base W/decals, Sst (Includes Item 6) Aps
	23321.0001	-	1	Base W/decals, Sst (Includes Item 6) Ts
	23321.0002	-	1	Base W/decals, Sst (Includes Item 6) Aps (Ce)
	23321.0003	-	1	Base W/decals, Sst (Includes Item 6) Ts (Ce)
	23321.0004	-	1	Base W/decals, Blk (Includes Item 6) Aps
2	22999.0000	-	1	Plate, Base
	02332.0002	-	8	Screw, Hex-crimptite #6-32 X .375"
3	00754.0001	4	2	Locator
4	22740.0000	-	1	Drip Shield, (Early Models Only)
5	25137.0001	-	4	Foot .75od X .48ht X .25thd
	24600.0000	-	-	Set Of 4 Feet
6	22306.0000	2	1	Decal, Red Decorative Stripe
7	25351.0000	-	1	Base, 1 Warmer W/decals, Sst (Includes Items 6 & 10)
	25351.0001	-	1	Base, 1 Warmer W/decals, Sst (Includes Items 6 & 10) (Ce)
	25351.0002	-	1	Base, 1 Warmer W/decals, Blk (Includes Items 6 & 10)
8	24805.0000	-	1	Plate, Base 1 Warmer
	24805.0002	-	1	Plate, Base Single CD
	02332.0002	-	6	Screw, Hex-crimptite #6-32 X .375"
9	25137.0000	-	4	Foot .75od X .25ht X .25thd
	35712.0000	-	-	Set Of 4 Feet
10	12364.0000	#	#	Decal, Caution-warmers/surfaces Are Hot (Refer To Illustration For Qty.)
11	01592.0000	#	#	Bushing, Snap 1" (Refer To Illustration For Qty.)
12	01593.0000	#	#	Bushing, Snap 1.5" (Refer To Illustration For Qty.)
13	25658.0000	-	1	Housing, Side Warmer Sst (Includes Item 10)
	25658.0002	-	1	Housing, Side Warmer Blk (Includes Item 10)
	02308.0000	-	7	Screw, #8-32 X .375"
14	25657.0000	-	1	Base, 3 Warmers W/decals, Sst (Includes Items 6 & 10)
	25657.0001	-	1	Base, 3 Warmers W/decals, Sst (Includes Items 6 & 10) Ce
	25657.0002	-	1	Base, 3 Warmers W/decals, Blk (Includes Items 6 & 10)
15	12667.0001	-	1	Plate, Base 3 Warmers
16	26413.0000	1	-	Base W/decals, Sst (Includes Item 6) Twin-aps
	26413.0001	1	-	Base W/decals, Blk (Includes Item 6) Twin-aps
17	29822.0000	2	-	Guard, Wiring
	02308.0000	4	-	Screw, #8-32 X .375"
18	23698.1000	2	-	Housing, Side Warmer Sst (Includes Item 10)
	23698.1001	2	-	Housing, Side Warmer Blk (Includes Item 10)
	02308.0000	14	-	Screw, #8-32 X .375"
19	12921.0000	2	-	Switch Blank

Continued on next page

\* Indicates the part number listed is for reference only. See DESCRIPTION for possible service replacement.

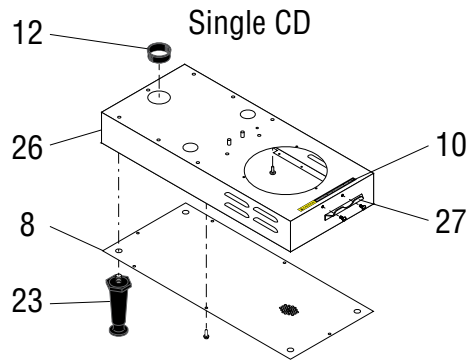
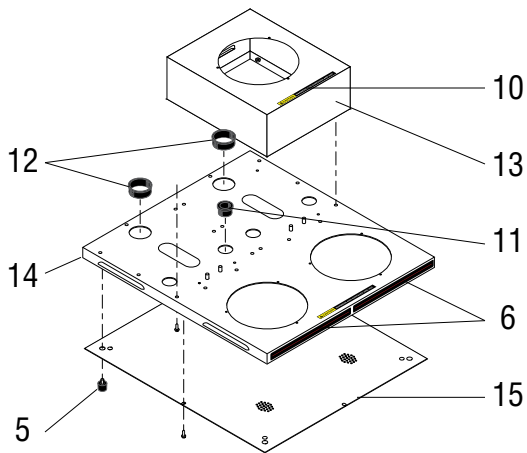


APS/TS



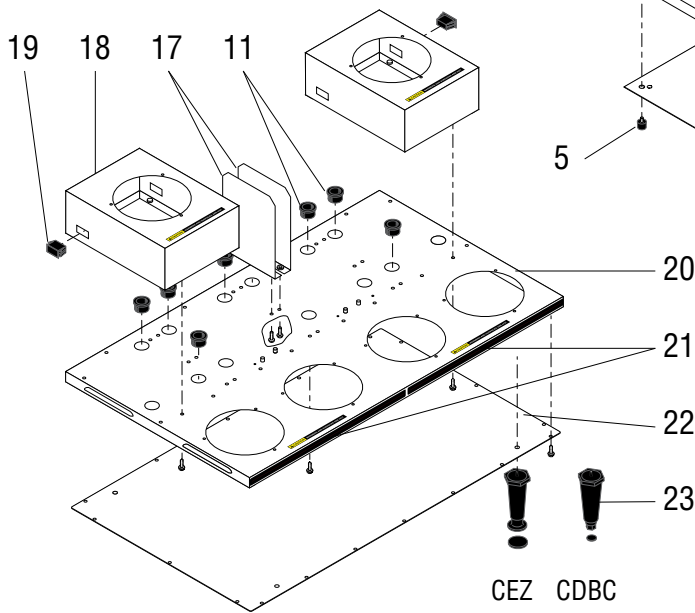
1 Lower Warmer

3 Lower Warmers

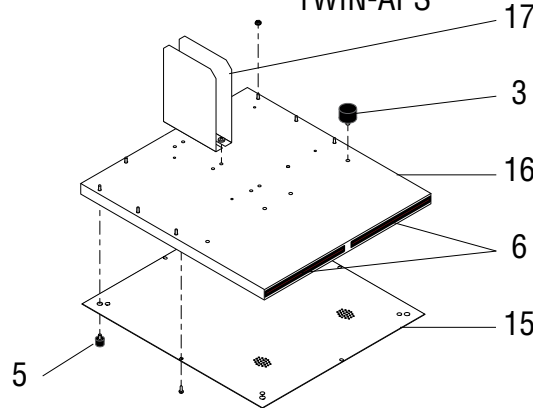


Single CD

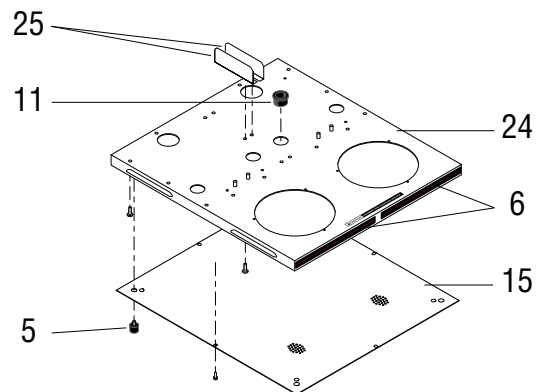
TWIN-0/6



TWIN-APS



TWIN-2/2 & 4/2

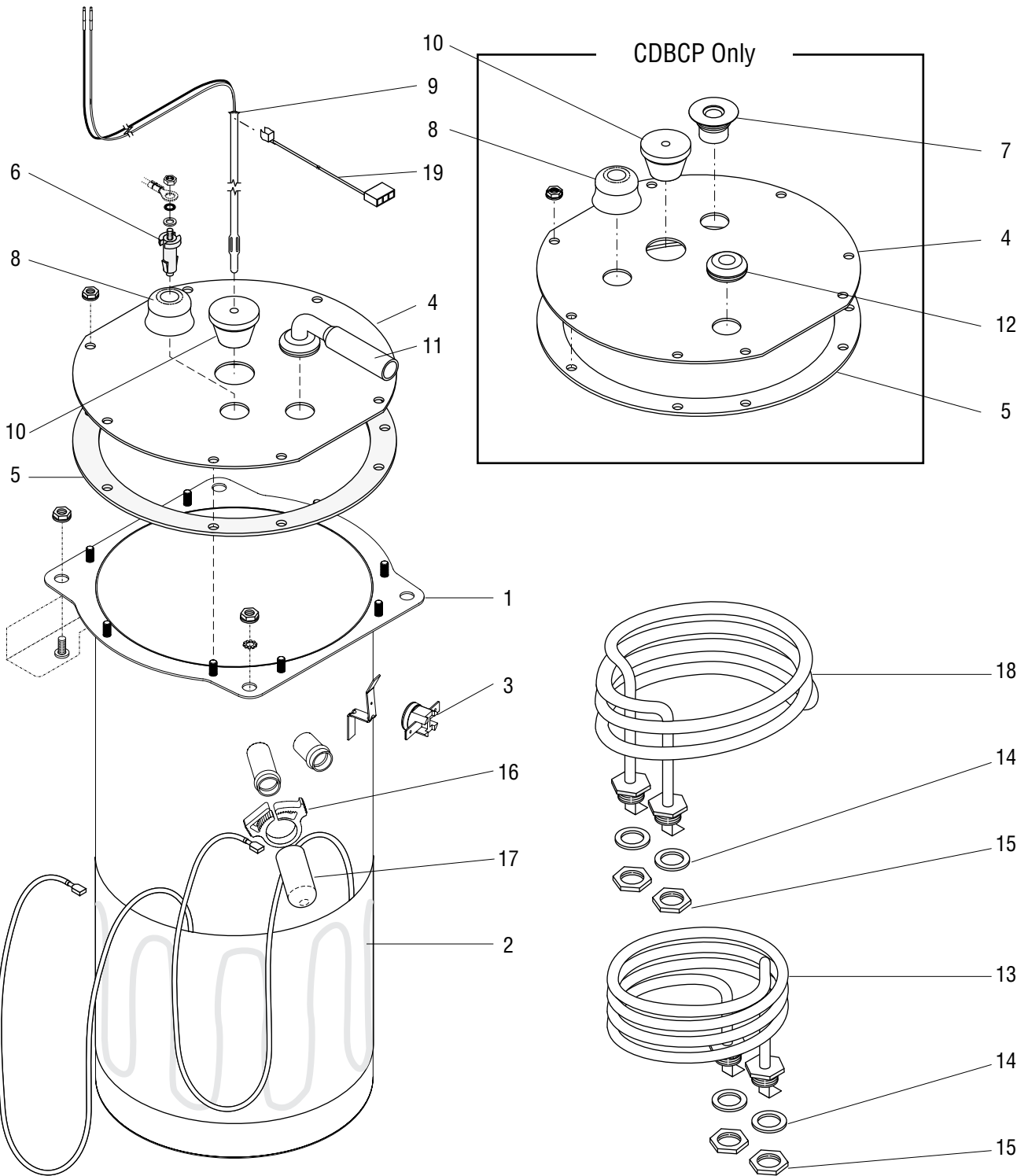


CEZ CDBC

\* Indicates the part number listed is for reference only. See DESCRIPTION for possible service replacement.

## BASES

ITEM	PART NO.	QTY.		DESCRIPTION
		TWIN	SINGLE	
20	24253.0001	1	-	Base W/decals, Sst (Includes Items 10 & 21) Twin 0/6
	24253.0002	1	-	Base W/decals, Blk (Includes Items 10 & 21) Twin 0/6
	02308.0000	12	-	Screw, #8-32 X .375"
21	24230.0000	2	1	Decal, Red Decorative Stripe
22	23329.0000	1	-	Plate, Base, Twin 0/6
	02332.0002	18	-	Screw, Hex-crimptite #6-32 X .375"
23	26528.0001	4	-	Leg, 4" Adjustable, Black Plastic, .25"-20 (Cez & Single CD)
	03359.0001	4	-	Leg, 4" Adjustable, Black Plastic, .25"-20 (Cdbc)
	13255.0005	-	-	Set Of 4 (CDBC)
24	24253.0000	1	-	Base W/decals, Sst (Includes Items 6 & 10) Twin 2/2 & 4/2
	24253.0003	1	-	Base W/decals, Blk (Includes Items 6 & 10) Twin 2/2 & 4/2
	02308.0000	12	-	Screw, #8-32 X .375"
25	26953.0000	2	-	Guard, Wiring
	02308.0000	4	-	Screw, #8-32 X .375"
26	34065.1001	-	1	Base, 1 Warmer W/decals, Sst (Includes Items 10,12 & 27) Single CD Only
27	21104.0003	-	1	Server Stop (Single CD Only)
	01347.0000	-	2	Screw, Truss Head #6-32 x .375"

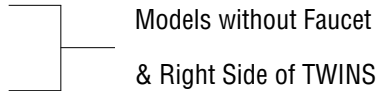


\* Indicates the part number listed is for reference only. See DESCRIPTION for possible service replacement.



## TANK AND COMPONENTS

ITEM	PART NO.	QTY. TWIN	QTY. SINGLE	DESCRIPTION
1	28731.0000	2	1	Tank, 12.25" H x 5.5" Dia. - .375" Outlets
	28731.0001	-	1	Tank, 12.25" H x 5.5" Dia. - .375" Outlets (MV/DV Models Only)
	33937.0002	-	1	Tank, 13" H x 6" Dia. - .5" Outlets (MV/DV Models Only)
	33937.0003	2	1	Tank, 13" H x 6" Dia. - .5" Outlets (High Lime)
	33937.0004	-	1	Tank, 13" H x 6" Dia. - .5" Outlets (High Lime) (MV/DV Models Only)
	00908.0000	10	5	Nut, #8-32
	01511.0000	2	1	Lockwasher, Ext. Tooth #8
2	04260.0000	2	1	Blanket Warmer 50W, 120V
	01927.0000	2	1	Blanket Warmer 50W, 220V
	01928.0000	2	1	Blanket Warmer 50W, 240V (CE)
3	29329.1000	2	1	Thermostat, Limit
4	28735.0000	2	1	Tank Lid, All Models Except Pour Over
	32138.0000	-	1	Tank Lid, (Pour Over Only)
	00908.0000	16	8	Nut #8-32
5	04221.0000	2	1	Gasket, Tank Lid
6	07412.1002	2	1	Probe Kit, Liquid Level 1.25"
7	20248.0000	-	1	Grommet, (Pour Over Only)
8	38114.0000	2	1	Grommet, Liquid Level Probe
9	29327.0000	2	1	Probe, Temperature Sensor 7.5"
10	33801.0001	2	1	Grommet, Temperature Sensor
11	38969.0001	2	1	Fitting, 90° Silicone
12	02536.0000	2	1	Grommet
13	02755.1000	2	1	Tank Heater 1425W, 120V (Includes item 14)
	02756.1000	2	1	Tank Heater 1800W, 120V (Includes item 14)
	05037.1000	2	1	Tank Heater 3500W, 240V (Includes item 14)
	02805.1000	2	1	Tank Heater 1850W, 240V (Includes item 14)
	29669.1000	2	-	Tank Heater 3000W, 240V (Includes item 14)
	20942.1000	-	1	Tank Heater 3500W, 200V (Includes item 14)
14	00943.0000	4	2	Gasket, Tank Heater
15	00942.0000	4	2	Nut, Brass .5"-20
16	12422.0001	1	1	Clamp, SNP - 10
17	29279.0000	1	1	Cap, Silicone
18	29485.1000	-	1	Tank Heater 1800W, 120V (Includes item 14) (CEZ/CDBC MV Models)
	29485.1001	-	1	Tank Heater 2268W, 120V (Includes item 14) (CDBC DV Models)
19	34813.0000	2	1	Probe Clip Assembly (CDBC Only! Not For Use on CEZ)



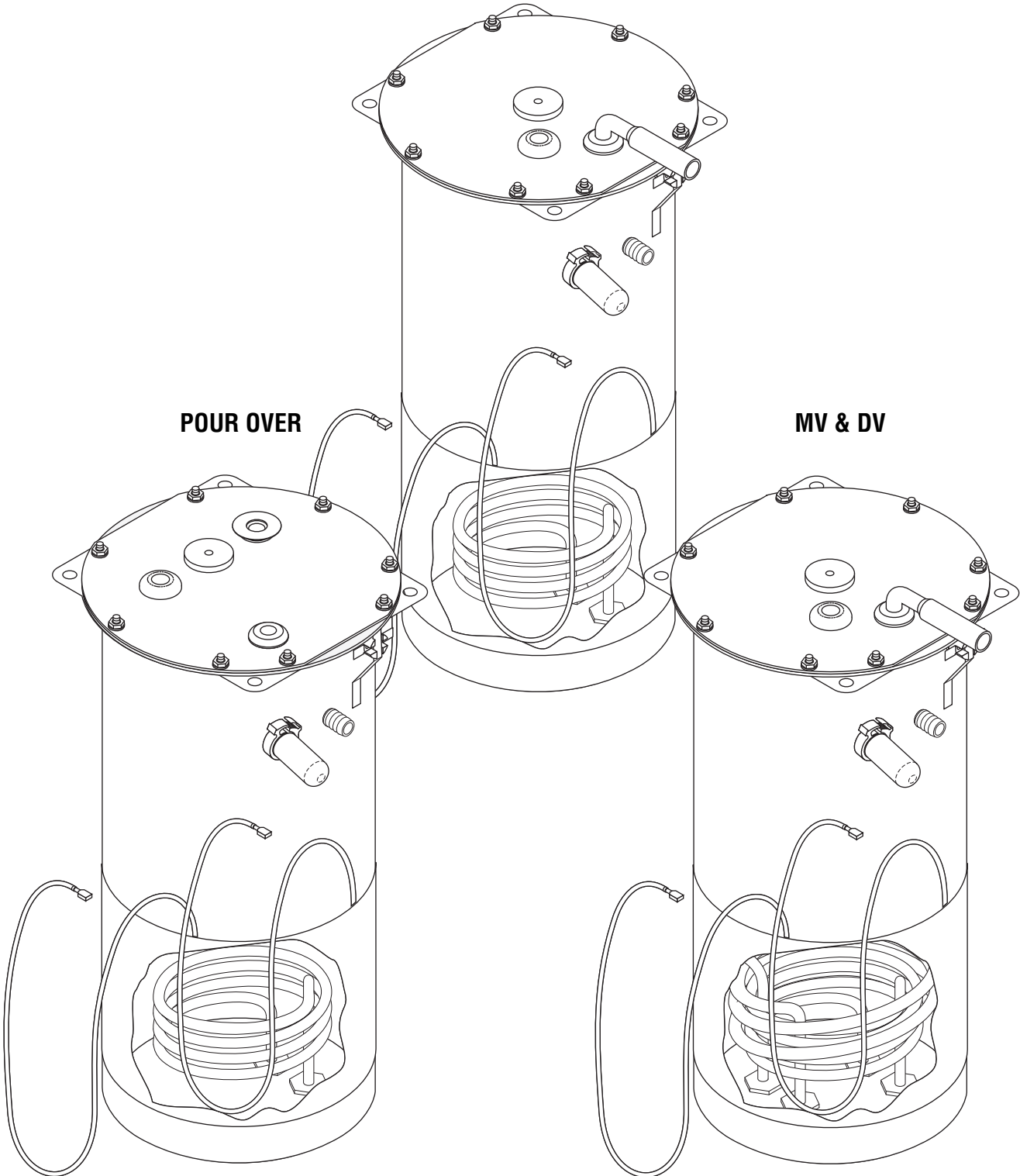
Continued on next page

\* Indicates the part number listed is for reference only. See DESCRIPTION for possible service replacement.

**STANDARD**

**POUR OVER**

**MV & DV**



P3774

\* Indicates the part number listed is for reference only. See DESCRIPTION for possible service replacement.

## TANK AND COMPONENTS

ITEM	PART NO.	QTY.	QTY.	DESCRIPTION
		TWIN	SINGLE	
20	34074.1001	-	1	Tank Kit, 1425W, 120V, (Pour Over)
	34074.1002	-	1	Tank Kit, 3500W, 200V, (Pour Over)
	34074.1003	-	1	Tank Kit, 1800W, 120V, (Pour Over)
	34074.1004	2	-	Tank Kit, 3000W, 240V, (Twin Only)
	34074.1005	2	1	Tank Kit, 1425W, 120V, (Non Pour Over) & Single CD-15
	34074.1006	2	1	Tank Kit, 3500W, 120/240V, (Non Pour Over) & Single CD-35
	34074.1007	-	1	Tank Kit, 3500W, 120/240V, (Pour Over)
	34074.1009	-	1	Tank Kit, 1425/2268W, (Non Pour Over-DV)
	34074.1011	-	1	Tank Kit, 1425/1800W, (Non Pour Over-MV)
	34074.1016	-	1	Tank Kit, 1850W, 240V CE (Pour Over)
	34074.1018	-	1	Tank Kit, 3500W, 240V CE (Non Pour Over)
	34074.1025	-	1	Tank Kit, 1850W, 240V CE (Non Pour Over)

**Refer to chart below for additional information.**

Kit Number	Description	Tank Used	Heater(s) P/N	Blanket	Models
34074.1001	1425W 120V <b>Pour Over</b>	33937.0003	02755.1000	04260.0000	CDBCP
34074.1002	3500W 200V <b>Pour Over</b>	33937.0003	20942.1000	01927.0000	CDBCP
34074.1003	1800W 120V <b>Pour Over</b>	33937.0003	02756.1000	04260.0000	CDBCP
34074.1004	3000W 240V <b>Non P-O</b>	33937.0003	29669.1000	04260.0000	CEZ/CDBC/TWIN/APS
34074.1005	1425W 120V <b>Non P-O</b>	33937.0003	02755.1000	04260.0000	CEZ/CDBC/APS
34074.1006	3500W 120/240V <b>Non P-O</b>	33937.0003	05037.1000	04260.0000	CDBC/TWIN/APS
34074.1007	3500W 120/240V <b>Pour Over</b>	33937.0003	05037.1000	04260.0000	CDBCP
34074.1009	1425/2268W 120V	33937.0004	02755.1000 29485.1001	04260.0000	CDBC-DV
34074.1011	1425/1800W 120V	33937.0004	02755.1000 29485.1000	04260.0000	CEZ/CDBC-MV
34074.1016	1850W 240V <b>Pour Over</b>	33937.0003	02805.1000	01928.0000	CDBCA (CE)
34074.1018	3500W 240V <b>Non P-O</b>	33937.0003	05037.1000	01927.0000	CDBCA TC/APS (CE)
34074.1025	1850W 240V <b>Non P-O</b>	33937.0003	02756.1000	01927.0000	CDBCA TC/APS (CE)

\* Indicates the part number listed is for reference only. See DESCRIPTION for possible service replacement.



## DISPENSE VALVE, SPRAYHEAD, & FAUCET

ITEM	PART NO.	QTY.	QTY.	DESCRIPTION
		TWIN	SINGLE	
1	27370.0000	2	1	Valve, Dispense (120v)
	27370.0001	2	1	Valve, Dispense (200v)
	27370.0002	2	1	Valve, Dispense (240v)
	00970.0000	4	2	Nut, KEPS #8-32
	11517.0008	-	-	Repair Kit, Dispense Valve (Includes Plunger, Spring and Diaphragm)
2	12422.0001	6	2	Clamp, SNP - 10 (2 Additional used in Pour In Models)
3	20976.0008*	2	1	Tube .375" ID x 1.625" (Order item 36)
4	39149.0000	2	1	Fitting
	28747.0001	-	1	Fitting (Pour In Models Only)
5	00943.0000	2	1	Gasket
6	01075.0000	2	1	Nut, Hex .438"-20
7	40670.0000	2	1	Sprayhead, 6 Hole
8	12422.0009	2	2	Clamp, SNP - 14
9	32591.0032*	1	1	Tube, Tank To Dispense Valve, .5" ID x .75" x ID 5" (Order item 35)
10	32591.0001*	1	1	Tube, .5" ID x .75" OD x 12.0" Long (Order item 34)
11	41193.0001*	1	1	Tube, .375" ID x .5" OD x 1.2" Long (Order item 34)
12	29264.0000	1	1	Nut, Hex .5"-20 UNF
13	01544.0000	1	1	Washer, .5" ID x .75" OD
14	29075.0000	1	1	Faucet Assembly. (Includes items 16 thru 22)
15	02861.0003	1	1	Handle, Red
16	02854.0000	1	1	Bonnet
17	02595.0000	1	1	Spring
18	02766.0000	1	1	Cup
19	02856.0005*	1	1	Faucet Body (Order item 15)
20	02858.0000	1	1	Pin, Spring
21	13054.0000	1	1	Stem
22	02594.0000	1	1	Faucet Stem w/Pin (Includes items 20 and 21)
23	12422.0005	4	2	Clamp, SNP - 12
24	38227.0000	1	1	Sprayhead Cleaning Tool
25	28526.0018*	-	1	Tube, Syphon, .313" ID x 12.25" (Order item 37)
26	34097.0000	-	1	Tube, Water Inlet
27	11424.0000	-	1	Plate, Splash Guard

Continued on next page

\* Indicates the part number listed is for reference only. See DESCRIPTION for possible service replacement.



## DISPENSE VALVE, SPRAYHEAD, & FAUCET

ITEM	PART NO.	QTY.		DESCRIPTION
		TWIN	SINGLE	
28	01540.0000	-	1	Washer, SST .75" ID x 1.0" OD
29	04270.0000	-	1	Fill Basin
30	01537.0000	-	1	Washer, Nylon .75" ID x 1.0" OD
31	00957.0000	-	1	Nut, Hex .75"-16
32	03102.0000	-	1	Elbow, 90° .375" OD
33	20248.0000	-	1	Grommet, Syphon
The Following Items Are Not Illustrated				
34	41499.1000	1	1	Faucet Tube Kit, All Models (Includes 8, 10, 11)
35	41499.1001	2	1	Dispense Tube Kit, Tank to Solenoid, All Models (Includes 8, 9, 23)
36	41499.1002	2	1	Dispense Tube Kit, Solenoid to Sprayhead, All Models (Includes 2 & 3)
37	41499.1003	-	1	Syphon Tube Kit, Pour In Models Only (Includes 2 & 25)

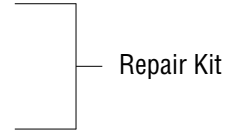
\* Indicates the part number listed is for reference only. See DESCRIPTION for possible service replacement.





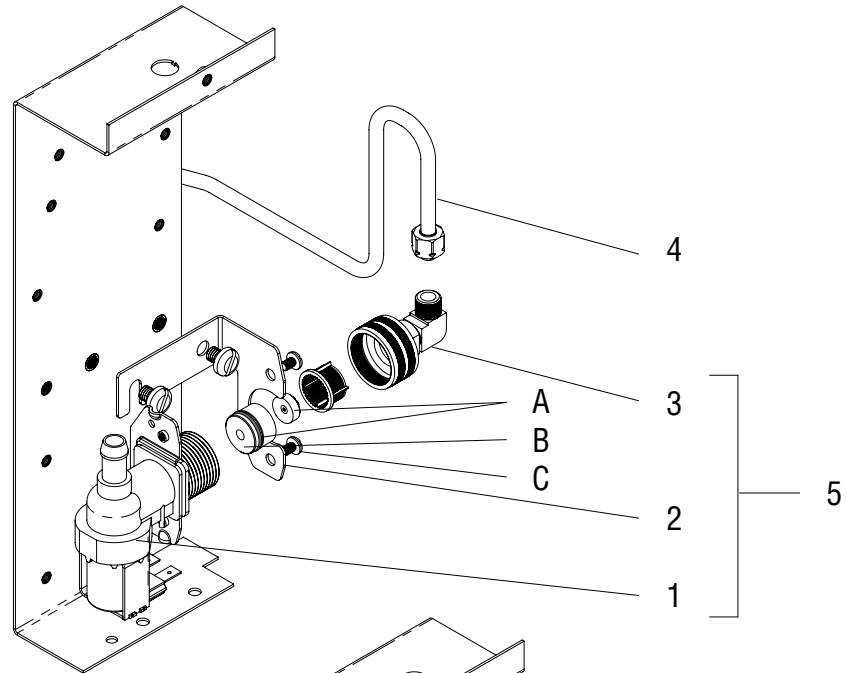
## FILL SOLENOID VALVE AND DRAIN - EARLY MODELS

ITEM	PART NO.	QTY.	QTY.	DESCRIPTION
		TWIN	SINGLE	
1	38969.0001	2	1	Fitting, 90° Silicone
2	32591.0012*	2	-	Tube .5" x 8.25" (Order item 10) (TWIN)
	32591.0013*	-	1	Tube .5" x 7" (Order item 10) (Single)
3	00459.0000	1	1	Fitting, Bulkhead 1/4" Flair
	01532.0000	1	1	Lockwasher, Int. Tooth .438"
	00463.0000	1	1	Nut, Hex .438"-20
4	29065.0000	-	1	Tube, Bulkhead to Solenoid (Single)
	29486.0000	1	-	Tube, Bulkhead to Solenoid (TWIN)
5	28750.0000	2	1	Solenoid Assy (120v)
	28750.0001	2	1	Solenoid Assy (230v)
	28750.0002	2	1	Solenoid Assy (100v)
	28750.0003	2	1	Solenoid Assy (200v)
	02325.0001	4	2	Screw .25"-20 x .313"
	39975.0000	-	-	Solenoid Repair Kit (Includes Guide, Spring, Armature & Diaphragm)
	39975.0001	-	-	Guide
	39975.0002	-	-	Spring
	39975.0003	-	-	Armature (Plunger)
	39975.0004	-	-	Diaphragm
6	12422.0001	4	2	Clamp, SNP - 10
7	20976.0054*	2	1	Tube, Tank To Valve, .375"ID x 32.5" (Order # 9)
8	11630.0001	2	1	Clamp, Shut Off
The Following Items Are Not Illustrated				
9	20976.1001	-	-	Tube, .375" ID x 36" (Use as required)
	20976.1002	-	-	Tube, .375" ID x 120" (Use as required)
10	32591.1001	-	-	Tube, .5" ID x 12" (Use as required)
	32591.1002	-	-	Tube, .5" ID x 36" (Use as required)

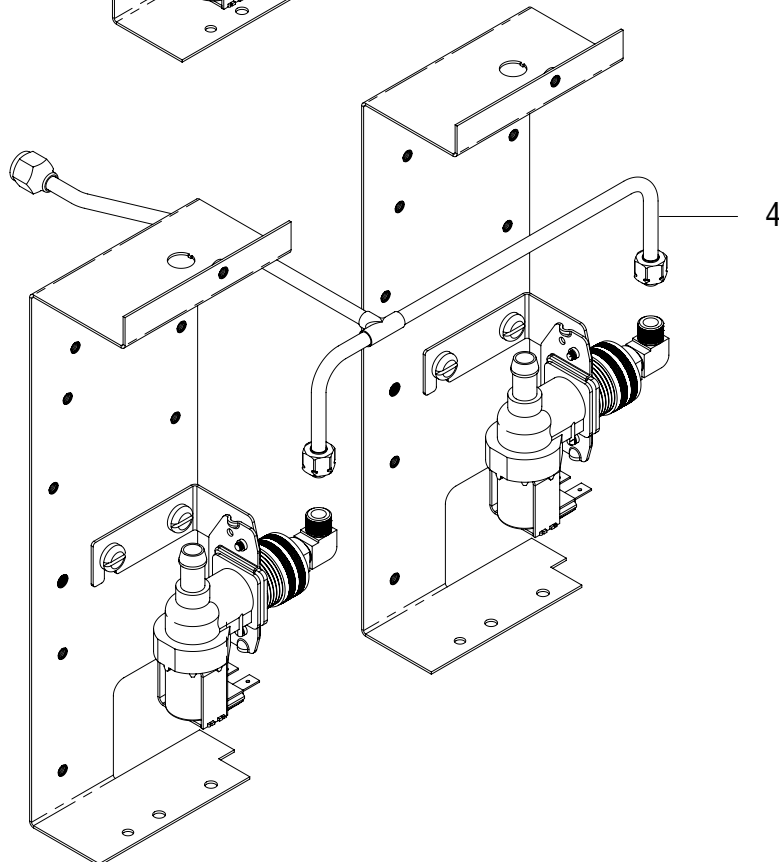


\* Indicates the part number listed is for reference only. See DESCRIPTION for possible service replacement.

**SINGLES**



**TWINS**



\* Indicates the part number listed is for reference only. See DESCRIPTION for possible service replacement.

## FILL SOLENOID VALVE AND DRAIN - LATER MODELS

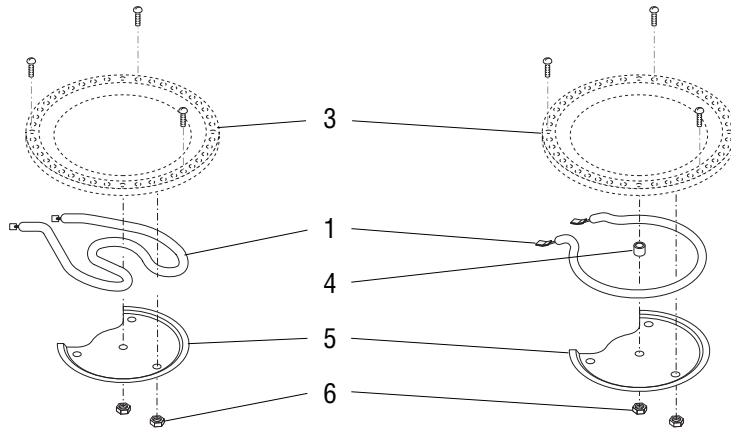
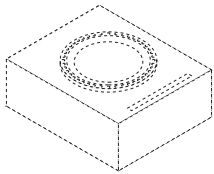
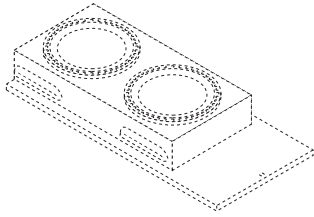
ITEM	PART NO.	QTY.	QTY.	DESCRIPTION
		TWIN	SINGLE	
1	42025.0000	2	1	Kit, Universal Replacement Solenoid, 120V
	42025.0001	2	1	Kit, Universal Replacement Solenoid, 230V
	A 20526.2500	4	2	Kit, .500GPM Flow Washer/O-Ring
	B 40056.0003	2	1	Insert, Flow Control Housing
	C 32283.0000	4	2	Screw, SST Slotted Panhead M4 X 6mm
2	41580.0000	2	1	Bracket (Production Only) Illustrated
	02325.0001	4	2	Screw .25"-20 x .313"
	41580.0001	2	1	Bracket (Retrofit Only) Not Illustrated
3	37297.0003	2	1	Elbow
4	41578.0000	-	1	Tube, Bulkhead to Solenoid (Single)
	41643.0000	1	-	Tube, Bulkhead to Solenoid (TWIN)
5	41579.1000	2	1	Kit, Solenoid Retrofit (Includes Items 1-3) 120V
	41579.1002	2	1	Kit, Solenoid Retrofit (Includes Items 1-3) 230V

For retrofitting  
early models

\* Indicates the part number listed is for reference only. See DESCRIPTION for possible service replacement.

**UPPER & SIDE HOUSING WARMERS**

**(A)**

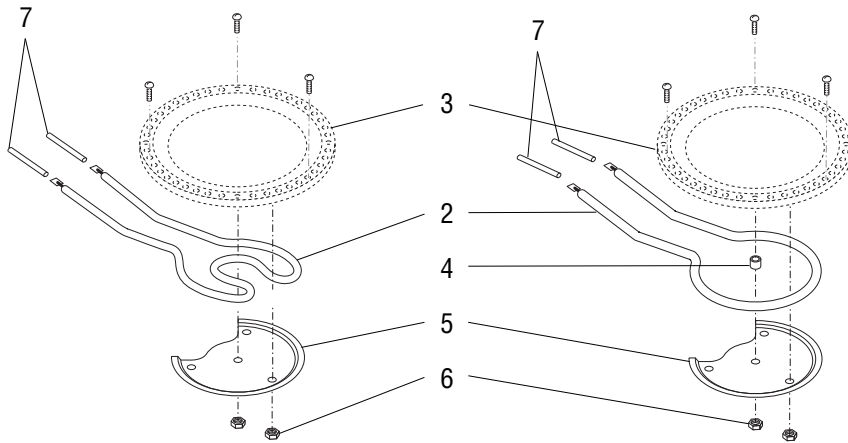
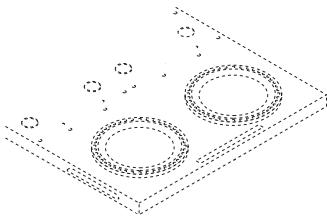
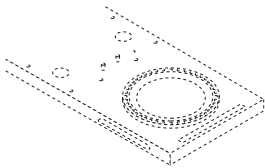


'A' & 'B' MODELS ONLY

120V & 120/240V MODELS ONLY

**BASE WARMERS**

**(B)**



'A' & 'B' MODELS ONLY

120V & 120/240V MODELS ONLY

\* Indicates the part number listed is for reference only. See DESCRIPTION for possible service replacement.

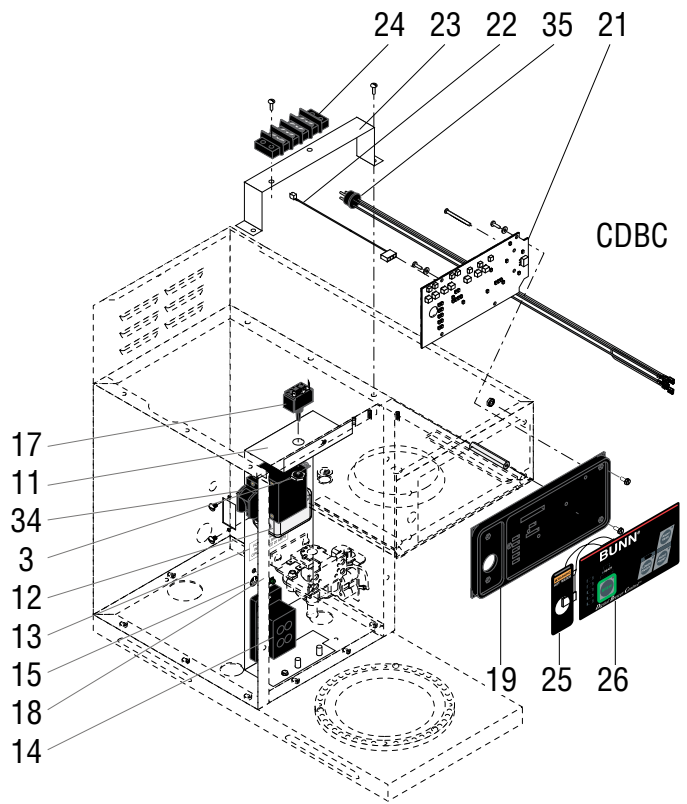
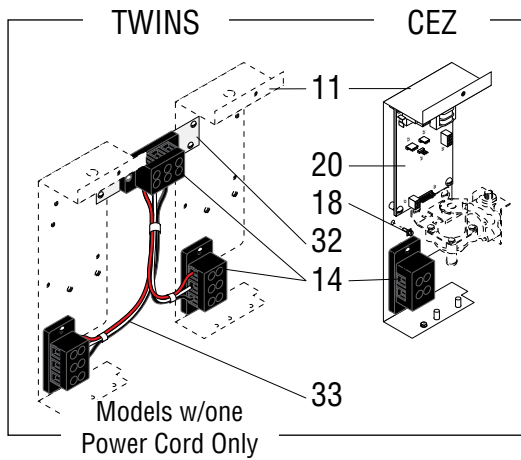
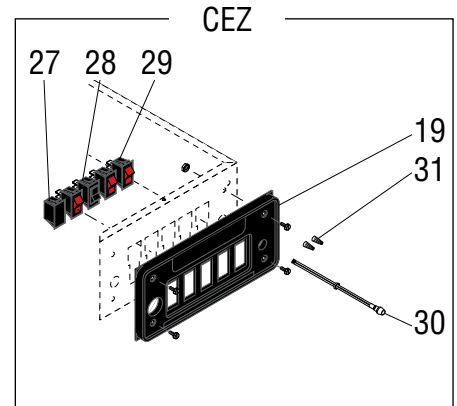
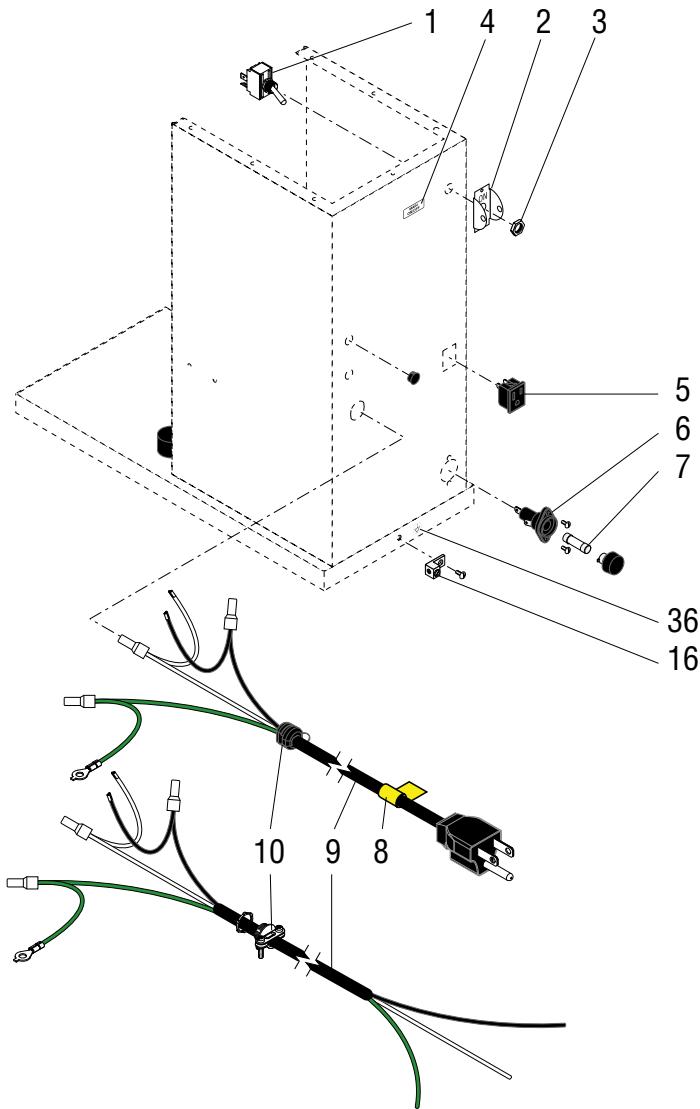
## WARMER ASSEMBLIES

ITEM	PART NO.	QTY. TWIN	QTY. SINGLE	DESCRIPTION	
<b>A</b>	03652.0000	1		Warmer Assembly 120V, Top & Side Warmers (Includes items 1, & 3 - 6)	
	11440.0009	1		Warmer Assembly 220V, Top & Side Warmers (Includes items 1, 3, 5, & 6)	
	11440.0011	1		Warmer Assembly 200V, Top & Side Warmers (Includes items 1, 3, 5, & 6)	
	01303.0000	3		Screw, Pan Head - SST #4-40 x .5"	
	00916.0000	3		Fastener, J-Type #4-40	
	1	01227.0000	1		Warmer Element 120V Top & Side Warmers
		01951.0000	1		Warmer Element 220V Top & Side Warmers ("A" Models)
		01951.0001	1		Warmer Element 200V Top & Side Warmers ("B" Models)
	<b>B</b>	11440.0005	1		Warmer Assembly 120V, Base Warmers (Includes items 2-7) & Single CD
		11440.0008	1		Warmer Assembly 220V, Base Warmers (Includes items 2, 3, 5, & 6)
11440.0010		1		Warmer Assembly 200V, Base Warmers (Includes items 2, 3, 5, & 6)	
01303.0000		3		Screw, Pan Head - SST #4-40 x .5"	
00916.0000		3		Fastener, J-Type #4-40	
2		11442.0000	1		Warmer Element 120V Base Warmers & Single CD
		11438.0000	1		Warmer Element 220V Base Warmers ("A" Models)
		11438.0001	1		Warmer Element 200V Base Warmers ("B" Models)
3		03656.0000	1		Warmer Dish, Blk 45 Hole
4		13042.0001	1		Spacer, (120V Models Only)
5	05212.0000	1		Plate, Element Retaining	
6	00970.0000	2		Nut, Keps #8-32	
7	04828.0001*	2		Tube, Silicone .25" Dia x 1.875" LG. (Order Item 8)	
<b>The Following Items Are Not Illustrated</b>					
8	04828.1001	-		Tube, Silicone .25" Dia. x 24" LG (Use as required)	
9	24785.0002	1		Galley Kit, "C" Series, 3 Warmers	



All warmers listed above are rated @ 100 watts

\* Indicates the part number listed is for reference only. See DESCRIPTION for possible service replacement.



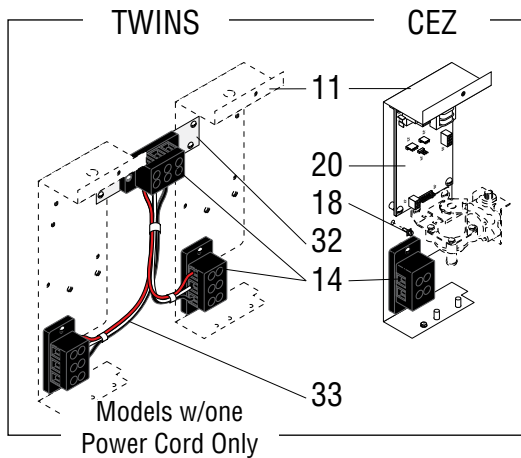
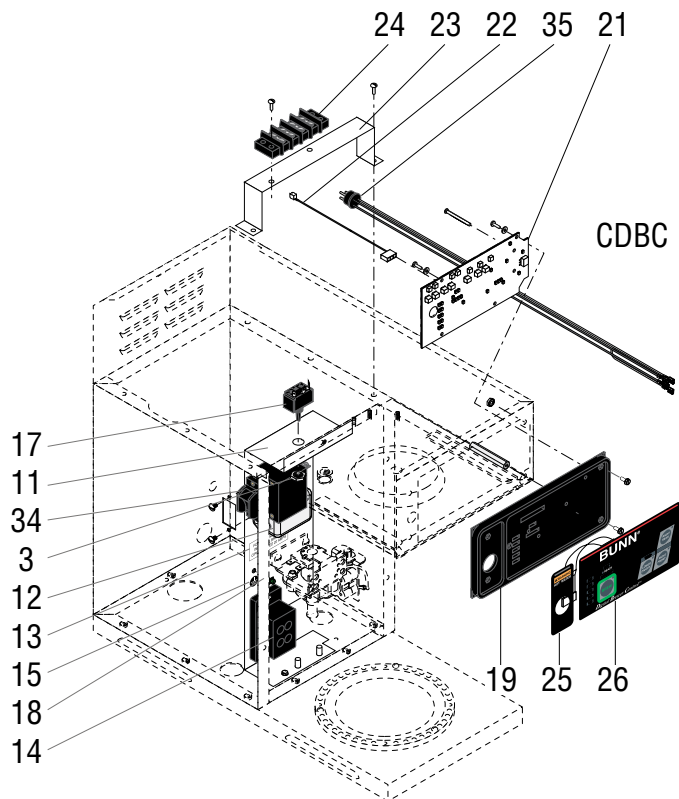
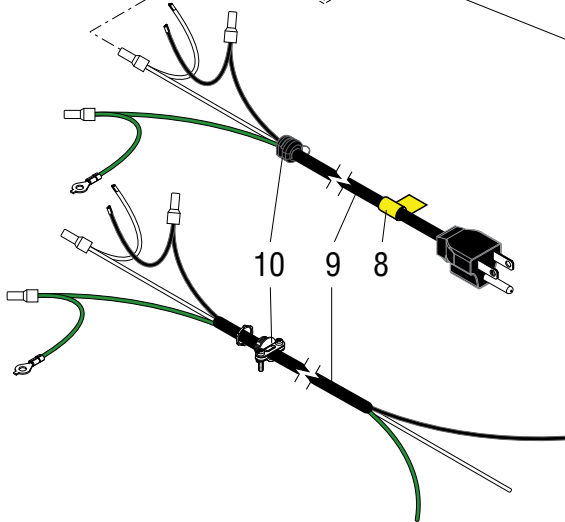
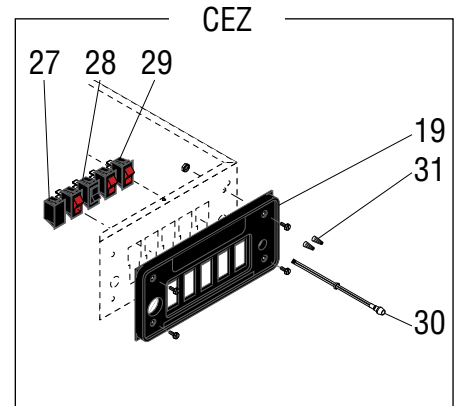
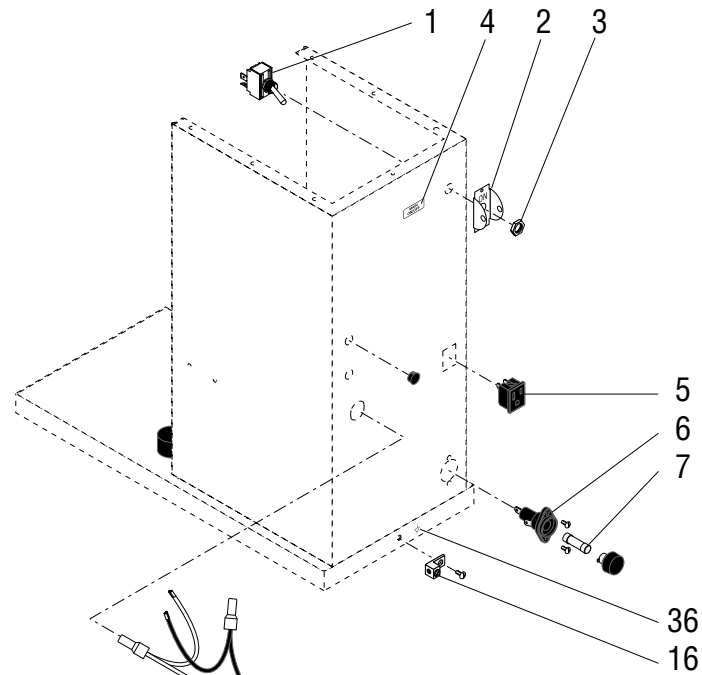
\* Indicates the part number listed is for reference only. See DESCRIPTION for possible service replacement.

## ELECTRICAL AND OPERATING CONTROLS

ITEM	PART NO.	QTY.		DESCRIPTION
		TWIN	SINGLE	
1	40763.0001	-	1	Toggle Switch (Includes Nut)
	23696.0000	-	1	Nut, Hex
2	25102.0000	-	1	Bracket, Switch Guard
3	23696.0000	-	1	Hex Nut
4	41405.0000	-	1	Decal, Main On/Off
5	03628.0000	-	1	Receptacle, Grounded
6	28176.0000	-	1	Fuse Holder
	02308.0000	-	2	Screw, Pan Head #8-32 x .375"
7	22012.0002	-	1	Fuse, 20 amp
8	06064.0000	-	1	Label, Cord Warning
9	01719.1000	-	1	Power Cord, 120V (Model 15 Only)
	23799.0001	-	1	Power Cord, 120V (Model 20 Only)
	38074.0000	-	1	Power Cord Assy. 230V (CE - Only)
10	01686.0000	-	1	Bushing, Strain Relief (120V 15A Models only)
	01685.0000	-	1	Bushing, Strain Relief (200V-240V Models)
	01590.0000	1	-	Connector, Power Cord (2 Used on 2 Cord TWIN's)
11	28740.0003	2	1	Bracket, Component Mtg. DV & CE 11" (Early Style CEZ Not Available)
	28740.0004	-	1	Bracket, Component Mounting 15" (SINGLE CD Only)
	28740.0005	2	1	Bracket, Component Mtg. 11" (A & B Models Only)
	02308.0000	2	1	Screw, Pan Head #8-32 x .375"
	02332.0001	2	1	Screw, Hex CrimpTite #6-32 x .25"
12	29446.0004	-	1	EMI Filter 250V 10 Amp (CE Only)
	01315.0000	-	2	Screw, Truss Head #8-32 x .375"
13	00985.0000	2	1	Decal, Individual Circuit Info
14	01106.0000	-	1	Terminal Block, 2-pole 120V (Black-White)
	01106.0001	-	1	Terminal Block, 2-pole 240V (Black-Red)
	01106.0003	-	1	Terminal Block, 2-pole 230V (Brown-Blue) (CE)
	07038.0000	3	1	Terminal Block, 3-pole 120/240V (Black-White-Red)
	01317.0000	4	2	Screw #8-32 x .5"
15	00824.0000	2	1	Decal, Ground
16	27705.0000	-	1	Terminal Lug (CE)
	01327.0000	-	1	Screw, PNH 10-32 x .375"
17	23522.0001	-	1	Toggle Switch, (DV, SPDT 20 amp) (Includes Hex Nut)
18	01309.0000	2	1	Screw, Grounding #10-32 x .5"
19	29008.0000	2	1	Front End Cap (CDBC)
	29082.0000	8	4	Screw, Hex #6-32 x .5"
	00973.0000	6	3	Nut, KEPS #6-32
	29263.0000	2	1	Nut, Stand Off #6-32
	13352.0008	2	1	Front End Cap (CEZ)
	02301.0000	8	4	Screw, Pan Head #6-32 x .625"
	00973.0000	8	4	Nut, KEPS #6-32

Continued on next page

\* Indicates the part number listed is for reference only. See DESCRIPTION for possible service replacement.



\* Indicates the part number listed is for reference only. See DESCRIPTION for possible service replacement.

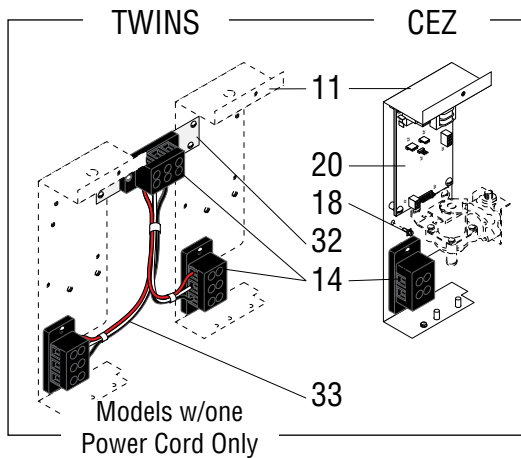
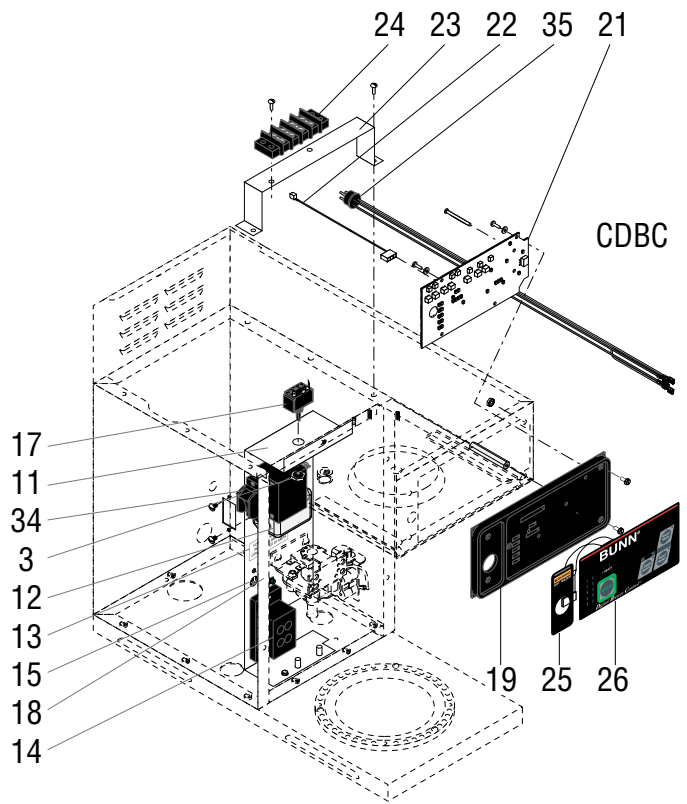
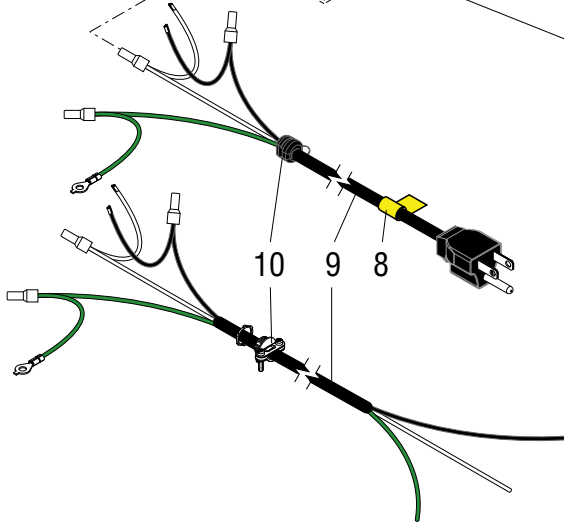
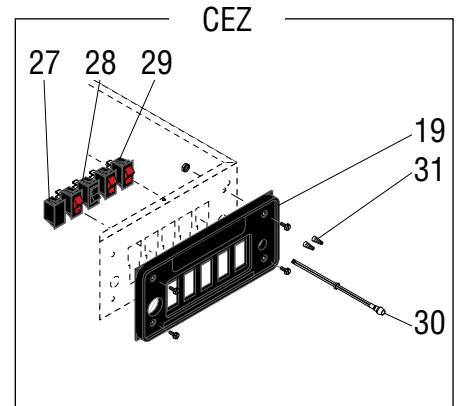
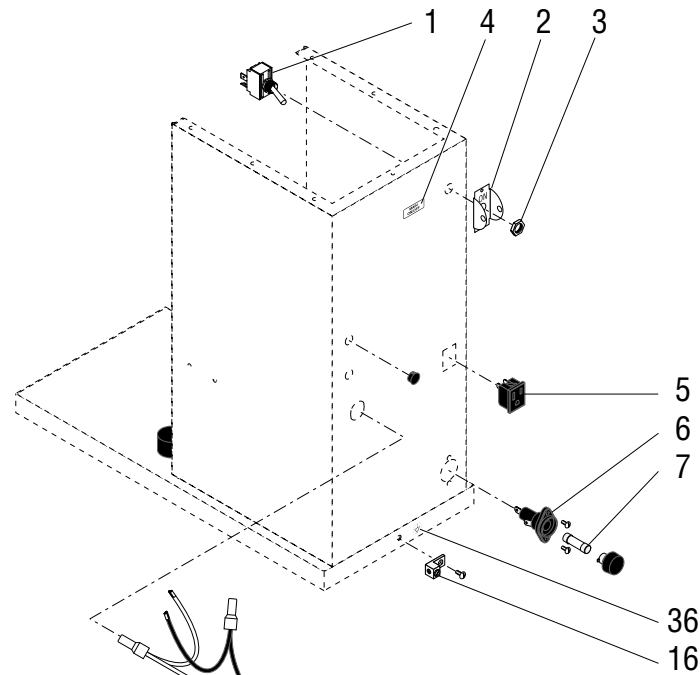


## ELECTRICAL AND OPERATING CONTROLS

ITEM	PART NO.	QTY.		DESCRIPTION
		TWIN	SINGLE	
20	28742.1000	2	1	PC Control Board (CEZ)
	02302.0000	8	4	Screw, RDH #6-32 x .875"
	29081.0001	8	4	Spacer, Board Mounting
21	28975.1000	2	1	PC Board Kit, 100V-120V (APS & 0-5 Warmer Models)
	28975.1001	-	1	PC Board Kit, 100V-120V (CDBC/FP w/40 Minute Flashing LED)
	28975.1002	-	1	PC Board Kit, 100V-120V (w/15 Minute Shut Off)
	38956.1000	2	1	PC Board Kit, 200V-240V (APS & 0-5 Warmer Models) RoHS Compliant
	02362.0000	4	2	Screw, PNH #4-40 x 1.25"
	38044.0000	8	4	Screw, PNH Plastite #6 x .375"
	01518.0000	8	4	Washer, Nylon #6
22	34813.0000	2	1	Probe Clip Assembly (NOT FOR USE ON CEZ) <span style="float: right;">} MV Models Only</span>
23	29673.0000	-	1	Bracket, Term. Block Mounting
24	28177.0000	-	1	Terminal Block
	01317.0000	-	2	Screw #8-32 x .5"
25	29007.0000	1	1	Decal, HOT WATER (Models w/faucet)
	29265.0000	1	1	Decal, Faucet Hole Cover (Models w/o faucet)
26	29006.0001	1	1	Membrane Switch (3 Left Warmers)
	29006.0002	1	1	Membrane Switch (3 Right Warmers)
	29006.0003	2	1	Membrane Switch (1 LWR/2 UPR)
	29006.0004	-	1	Membrane Switch (1 LWR Only)
	29006.0005	2	1	Membrane Switch (1 LWR/1 UPR)
	29006.0012	-	1	Membrane Switch (1 LWR/2 UPR) CE
	29006.0013	-	1	Membrane Switch (3 Right Warmers) CE
	29006.0014	-	1	Membrane Switch APS (No Warmers) CE
	29006.0018	2	1	Membrane Switch APS (No Warmers)
27	12921.0000	2	1	Switch Blank, Black
28	01063.0000	2	1	Switch, Momentary Start
29	12920.0000	6	3	Switch, On/Off
30	12517.0001	2	1	Green LED Kit (Includes Wire Nuts)
31	03851.0000	4	2	Wire Nut, 2-22 AWG
32	23376.0000	1	-	Bracket, Term. Block Mounting
	02308.0000	3	-	Screw, Pan Head #8-32 x .375"
33	29484.0000	1	-	Wiring Harness, Terminal Block (Models w/one Power Cord Only)
	29484.0001	1	-	Wiring Harness, Terminal Block (Models w/one Power Cord & Switch)
34	38894.0001	1	1	Switch, On/Off (Models w/o 120V Power Cord)
	01308.0002	2	2	Screw, TRH #6-32 x .25"
	38820.0000	1	1	Switch Cover Plate
35	02812.0001	-	1	Wiring Harness, (P1,2,3) to Top Warmers CDBC/CEZ
	24204.0000	1	1	Wiring Harness, (P1,2,3) to Left Side Warmers CDBC-35 & 0/6 4/2 TWIN
	24204.0001	1	1	Wiring Harness, (P1,2,3) to Right Side Warmers CDBC-15/35 & 0/6 4/2
	25348.0002	2	1	Wiring Harn, Top Warmers CDBC-35 (1 Top Warmer) & 2/2 TWIN
36	00824.0001	1	1	Decal, Equipotentiality

Continued on next page

\* Indicates the part number listed is for reference only. See DESCRIPTION for possible service replacement.

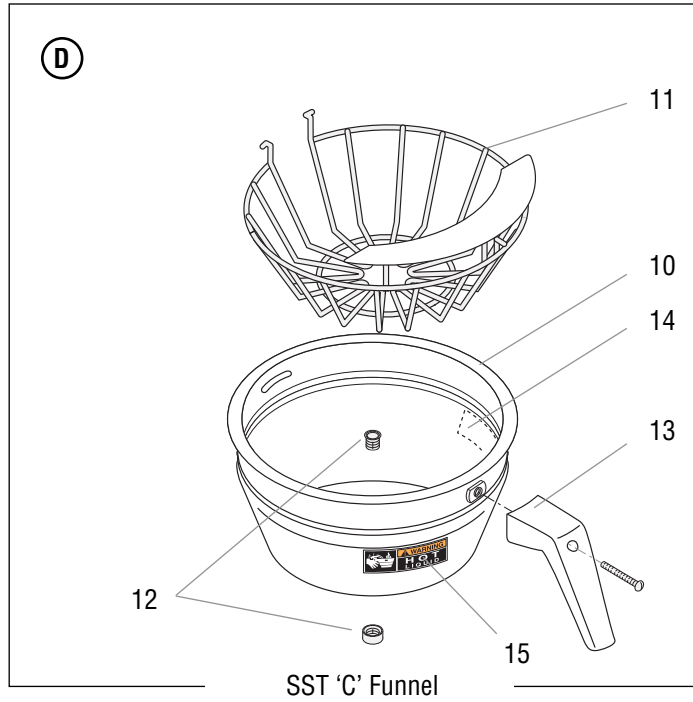
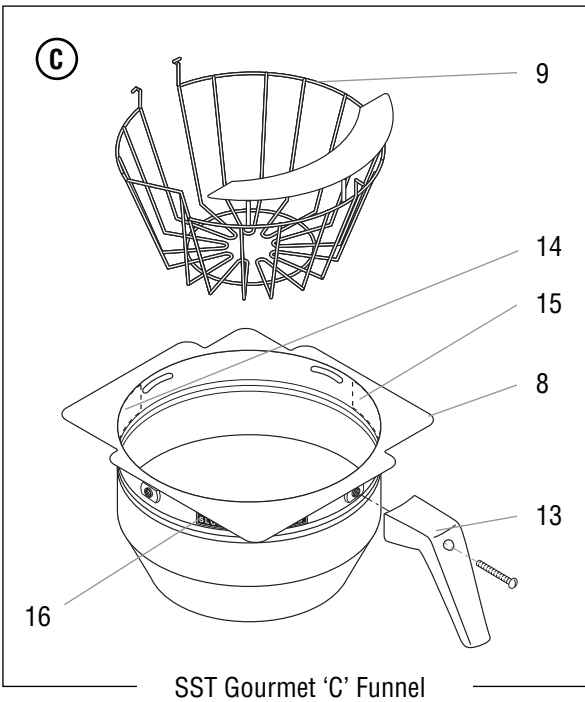
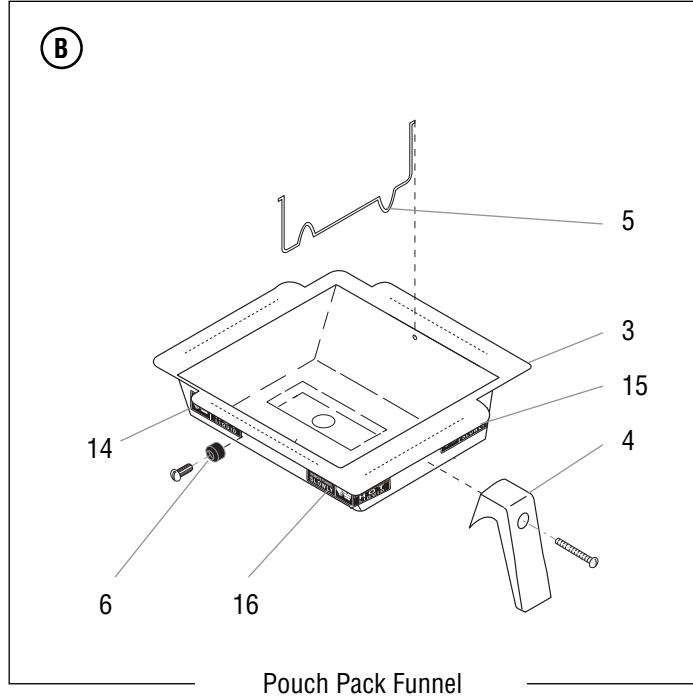
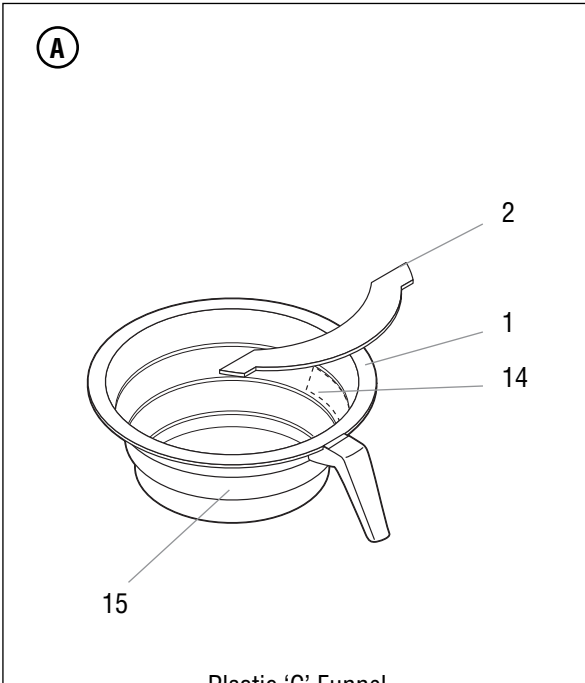


\* Indicates the part number listed is for reference only. See DESCRIPTION for possible service replacement.

## ELECTRICAL AND OPERATING CONTROLS

ITEM	PART NO.	QTY.		DESCRIPTION	
		TWIN	SINGLE		
<b>The Following Items Are Not Illustrated</b>					
37	20555.0011	2	1	Red LED Kit, CDBCFFP w/FL. LED	
38	21016.0011	-	1	Lead, Grn/Yel, 15" LG (CE)	CDBC-35 & CDBCFA
	21016.0027	-	2	Lead, Grn/Yel, 26" LG (CE)	CDBC-35 & CDBCFA
39	28743.0000	2	1	Wiring Harness, Level Probe to Board	CDBC
40	29072.0000	-	1	Wiring Harness, Main w/3 Warmers	CDBC-15 & Single CD-15
	29072.0001	-	1	Wiring Harness, Main w/Rcpt	CDBC-15 APS
	29072.0003	2	1	Wiring Harness, Main	CDBC-35/TWIN 0/6,4/2 & Single CD-35
	29072.0004	2	1	Wiring Harness, Main 120/240v	APS
	29072.0005	-	1	Wiring Harness, Main No Rcpt.	CDBC-15 APS
	29072.0006	1	-	Wiring Harness, Main	CDBC 2/2 TWIN
	29072.0007	-	1	Wiring Harness, Main (BLK & RED)	CDBCFFP200v
	29072.0008	-	1	Wiring Harness, Main (BLK & WHT)	CDBCFFP100v
	29072.0010	-	1	Wiring Harness, Main (BLK & WHT w/ring)	CDBCFFP100v (CE)
	29072.0011	-	1	Wiring Harness, Main (BLK & RED w/ring term.)	CDBCFFP200v (CE)
	29072.0012	-	1	Wiring Harness, Main (BLK & WHT w/ring term.)	CDBCA-APS 230v (CE)
	29072.0013	-	1	Wiring Harness, Main (BLK & WHT w/ring term.)	CDBCA 230v (CE)
	29679.0000	-	1	Wiring Harness, Main	CDBC-MV
	29679.0001	-	1	Wiring Harness, Main	CDBC-MV APS
	29680.0000	-	1	Wiring Harness, Relay/Limit/Upr. Term. Block	CDBC/CEZ (MV)
	29681.0000	-	1	White Lead Assy, Tank Htr. To Htr.	CDBC/CEZ (MV)
29682.0000	-	1	Wiring Harness, Upr Term Block to Both Heaters	CDBC/CEZ (MV)	
34055.0000	-	1	Wiring Harness, Main w/2 Top or Side Warmers	CBDC-DV	
41	34707.0004	-	1	Wiring Harness, Term Block to EMI Filter	
<b>The Following Harnesses are for Later Models With On/Off <u>Rocker</u> Switch</b>					
42	29072.0037	2	-	Wiring Harness, Main 120/240v	TWIN-APS
	29072.0025	-	1	Wiring Harness, Main w/2 Top Warmers	CDBC-35
	29072.0026	-	1	Wiring Harness, Main w/3 L RT Warmers	CDBC-35
	29072.0027	-	1	Wiring Harness, Main w/1 Top & 1 Low Warmer	CDBC-35
	29072.0028	-	1	Wiring Harness, Main w/2 Top Warmers	CDBC-20
	29072.0029	-	1	Wiring Harness, Main w/1 Low Warmer FL Light	CDBC-35
	29072.0033	-	1	Wiring Harness, Main	CDBC-B APS & TC
	40666.0000	1	-	Wiring Harness, Main	CDBC-TWIN 0/6
	40666.0001	1	-	Wiring Harness, Main	CDBC-TWIN4/2
	40666.0002	1	-	Wiring Harness, Main	CDBC-TWIN 2/2
43	38920.0004	-	1	Wiring Harness, Switch to Term Block	CDBCFFP20
<b>The Following Harnesses are for Later Models With On/Off <u>Toggle</u> Switch</b>					
44	41390.0000	-	1	Wiring Harness, Main CDBC-35, 3 Lower Right	
	41390.0001	-	1	Wiring Harness, Main CDBC-35, 1 Lower/ 2 Upper	
	41390.0002	-	1	Wiring Harness, Main CDBC-35, 1 Lower/ 1 Upper	
	41390.0003	-	1	Wiring Harness, Main CDBC-DV, 1 Lower/ 2 Upper	
	41390.0004	-	1	Wiring Harness, Main CDBC-DV, 3 Lower Right	
	41390.0005	-	1	Wiring Harness, Main CDBC-35, (Pour in) 1 Lower w/Flashing Ready Light	
	41390.0006	-	1	Wiring Harness, Main CDBC-20, 1 Lower/ 2 Upper	
	41390.0007	-	1	Wiring Harness, Main CDBC-DV, APS/TC	
	41390.0008	-	1	Wiring Harness, Main SINGLE-CD-35, 3 Warmers	

\* Indicates the part number listed is for reference only. See DESCRIPTION for possible service replacement.



## FUNNELS

ITEM	PART NO.	QTY. TWIN	QTY. SINGLE	DESCRIPTION
<b>A</b>	20583.0003	-	1	Funnel Assy, Black Plastic (Includes items 2, 14, & 15)
	20583.0006	-	1	Funnel Assy, Orange Plastic (Includes items 2, 14, & 15)
	1 33119.0000*	-	1	Funnel Body, Black Plastic (Order item <b>A</b> )
	1 33127.0000*	-	1	Funnel Body, Orange Plastic (Order item <b>A</b> )
	2 32964.0000	-	1	Splashgard, Black Plastic
<b>B</b>	29151.0000	2	1	Funnel Assy, Pouch Pack Blk Handle (Includes items 3-6 & 14-16)
	29151.0001	2	1	Funnel Assy, Pouch Pack Orn Handle (Includes items 3-6 & 14-16)
	04274.0010	2	1	Funnel Assy, Pouch Pack Brown Plastic (Includes item 16)
	04274.0012	2	1	Funnel Assy, Pouch Pack Black Plastic (Includes item 16)
	3 29150.0000*	2	1	Funnel Body, Pouch Pack 'C Series' SST (Order item <b>B</b> )
	4 29152.1000	2	1	Handle Kit, Pouch Pack, Black (Includes mounting screw below)
	29152.1001	2	1	Handle Kit, Pouch Pack, Orange (Includes mounting screw below)
	01331.0002	2	1	Screw, Round Head 10-32 x 1.5"
	5 29845.0000	2	1	Insert, Pouch Pack Funnel
	6 35302.0000	2	1	Keeper, Insert
	01331.0000	2	1	Screw, Round Head 10-32 x .5"
	<b>C</b>	34559.0000	-	1
8 34558.0000*		2	1	Funnel Body, Gourmet SST (Order item <b>C</b> )
9 34546.0000		2	1	Filter Basket, Gourmet 'C'
<b>D</b>	20216.0000	-	1	Funnel Assy, 7.12" SST Blk Handle (Includes items 10, 11 & 13-16)
	20216.0001	-	1	Funnel Assy, 7.12" SST Orn Handle (Includes items 10, 11 & 13-16)
	10 28553.0000	-	1	Funnel Body, W/Decals, 7.12" SST (Includes items 14 & 15)
	28554.0000	2	1	Funnel Body, W/Decals, 7.62" SST (Includes items 14 & 15)
	11 33088.0000	-	1	Filter Basket, 7.12" SST
	33090.0000	2	1	Filter Basket, 7.62" SST
	12 01031.0000	2	1	Funnel Tip Kit
	13 20244.1000	2	1	Handle Kit, Black (Includes mounting screw below)
	20244.1001	2	1	Handle Kit, Orange (Includes mounting screw below)
	01331.0002	2	1	Screw, Round Head 10-32 x 1.5"
	14 03408.0002	2	1	Decal, Warning - Remove Funnel
	15 03409.0002	2	1	Decal, Warning - Hot Liquid
16 28694.0000	2	1	Decal, Warning - Hot Liquid/Remove Funnel	

**D** does not include tip kit



\* Indicates the part number listed is for reference only. See DESCRIPTION for possible service replacement.

NUMERICAL INDEX

PART NO.	PAGE NO.	PART NO.	PAGE NO.	PART NO.	PAGE NO.	PART NO.	PAGE NO.
00459.0000	25	01686.0000	29	11438.0000	27	23260.1005	5
00463.0000	25	01719.1000	29	11438.0001	27	23260.1008	5
00656.0000	9,11	01927.0000	17	11440.0005	27	23267.1000	9,11
00658.0000	9,11	01928.0000	17	11440.0008	27	23267.1001	9,11
00669.0003	9,11	01951.0000	27	11440.0009	27	23294.1009	9,11
00754.0001	13	01951.0001	27	11440.0010	27	23320.1002	9,11
00824.0000	29	02301.0000	29	11440.0011	27	23321.0000	13
00824.0001	33	02302.0000	29	11442.0000	27	23321.0001	13
00908.0000	17	02308.0000	7,9,11,13	11517.0008	21	23321.0002	13
00912.0000	5	02308.0000	15,29,31	11630.0001	25	23321.0003	13
00916.0000	27	02325.0001	25	12104.0000	11	23321.0004	13
00942.0000	17	02332.0001	29	12183.0002	11	23329.0000	15
00943.0000	17,21	02332.0002	13,15	12364.0000	5,13	23376.0000	31
00957.0000	23	02362.0000	31	12422.0001	17,21,25	23522.0000	29
00970.0000	9,11,21,27	02536.0000	17	12422.0005	21	23522.0001	29
00971.0000	5	02594.0000	21	12422.0009	21	23696.0000	29
00973.0000	29	02595.0000	21	12517.0001	31	23697.0000	29
00985.0000	29	02722.0000	5	12667.0001	13	23698.1000	13
00986.0000	9,11	02732.0000	5	12920.0000	31	23698.1001	13
00988.0000	9,11	02755.1000	17	12921.0000	13,31	24204.0000	31
01031.0000	35	02756.1000	17	13042.0001	27	24204.0001	31
01063.0000	31	02765.0000	5	13054.0000	21	24230.0000	15
01075.0000	21	02766.0000	21	13255.0005	15	24253.0000	15
01106.0000	29	02805.1000	17	13352.0008	29	24253.0001	15
01106.0001	29	02812.0001	31	20216.0000	35	24253.0002	15
01106.0003	29	02822.0000	11	20216.0001	35	24253.0003	15
01227.0000	27	02854.0000	21	20244.1000	35	24254.0001	5
01303.0000	5,27	02856.0005	21	20244.1001	35	24254.0002	5
01303.0002	5	02858.0000	21	20248.0000	17,23	24600.0000	13
01308.0002	31	02861.0003	21	20555.0011	33	24785.0002	27
01309.0000	29	03102.0000	23	20583.0003	35	24805.0000	13
01315.0000	5,9,11,29	03359.0001	15	20583.0006	35	24805.0002	13
01315.0005	11	03408.0002	35	20942.1000	17	25102.0000	29
01315.0005	9	03409.0002	35	20976.0008	21	25137.0000	13
01317.0000	29,31	03628.0000	29	20976.0054	25	25137.0001	13
01319.0000	5	03652.0000	27	20976.1001	25	25151.0000	5
01326.0007	5	03656.0000	27	20976.1002	25	25151.0001	5
01327.0000	29	03851.0000	31	21016.0011	33	25309.1004	5
01331.0000	35	04221.0000	17	21016.0027	33	25312.0001	5
01331.0002	35	04260.0000	17	21104.0003	15	25312.1004	5
01347.0000	5,15	04270.0000	23	22012.0002	29	25312.1007	5
01382.0000	9,11	04274.0010	35	22306.0000	13	25348.0002	31
01382.0002	9,11	04274.0012	35	22730.1002	9,11	25351.0000	13
01511.0000	17	04828.0001	27	22730.1003	9,11	25351.0001	13
01518.0000	31	04828.1001	27	22730.1005	9,11	25351.0002	13
01532.0000	25	05037.1000	17	22730.1006	9,11	25657.0000	13
01537.0000	23	05212.0000	27	22730.1009	9,11	25657.0001	13
01540.0000	23	06064.0000	29	22733.0000	9,11	25657.0002	13
01544.0000	21	07038.0000	29	22740.0000	13	25658.0000	13
01590.0000	29	07412.1002	17	22748.0000	9,11	25658.0002	13
01592.0000	5,13	11408.1002	9,11	22748.0001	9,11	25864.1001	5
01592.0001	5	11408.1005	9,11	22748.0002	9,11	26283.1000	9,11
01593.0000	13	11408.1006	9,11	22999.0000	13	26283.1001	9,11
01685.0000	29	11424.0000	21	23260.1004	5	26287.0000	9,11

26413.0000.....	13	29072.0012.....	33	29684.0000.....	5	34115.0000.....	9,11
26413.0001.....	13	29072.0013.....	33	29685.0000.....	11	34208.1014.....	9,11
26528.0001.....	15	29072.0025.....	33	29685.0001.....	11	34546.0000.....	35
26953.0000.....	15	29072.0026.....	33	29685.0002.....	11	34558.0000.....	35
27370.0000.....	21	29072.0027.....	33	29685.0003.....	11	34559.0000.....	35
27370.0001.....	21	29072.0028.....	33	29685.0004.....	11	34707.0004.....	33
27370.0002.....	21	29072.0029.....	33	29685.0005.....	11	34813.0000.....	17,31
27705.0000.....	29	29072.0033.....	33	29710.0000.....	11	35302.0000.....	35
27929.0000.....	9,11	29075.0000.....	21	29710.0004.....	11	35712.0000.....	13
28176.0000.....	29	29076.0000.....	11	29710.0007.....	11	36757.1000.....	7
28177.0000.....	31	29077.0000.....	11	29822.0000.....	13	36757.1001.....	7
28382.0000.....	5	29077.0001.....	11	29845.0000.....	35	37182.0000.....	7
28526.0018.....	21	29077.0002.....	11	32138.0000.....	17	37881.0000.....	5,9,11
28553.0000.....	35	29077.0003.....	11	32143.0000.....	7	37881.0002.....	5
28554.0000.....	35	29077.0004.....	11	32161.0000.....	11	37930.0000.....	9,11
28694.0000.....	35	29081.0001.....	29	32325.0000.....	9,11	38044.0000.....	31
28731.0000.....	17	29082.0000.....	29	32325.0001.....	9,11	38074.0000.....	29
28731.0001.....	17	29150.0000.....	35	32591.0001.....	21	38114.0000.....	17
28735.0000.....	17	29151.0000.....	35	32591.0012.....	25	38227.0000.....	21
28740.0003.....	31	29151.0001.....	35	32591.0013.....	25	38496.1002.....	5
28740.0004.....	31	29152.1000.....	35	32591.1001.....	25	38498.1000.....	5
28740.0005.....	31	29152.1001.....	35	32591.1002.....	25	38504.1004.....	5
28742.1000.....	29	29167.0000.....	11	32964.0000.....	35	38820.0000.....	31
28743.0000.....	33	29206.0000.....	5	33088.0000.....	35	38894.0001.....	31
28747.0001.....	21	29257.0000.....	11	33090.0000.....	35	38956.1000.....	31
28750.0000.....	25	29257.0001.....	11	33119.0000.....	35	38969.0001.....	17,25
28750.0001.....	25	29263.0000.....	29	33127.0000.....	35	39149.0000.....	21
28750.0002.....	25	29264.0000.....	21	33801.0001.....	17	39331.0000.....	21
28750.0003.....	25	29265.0000.....	31	33937.0002.....	17	39639.1000.....	7
28975.1000.....	31	29279.0000.....	17	33937.0003.....	17	39975.0000.....	25
28975.1001.....	31	29314.0004.....	7	33937.0004.....	17	39975.0001.....	25
28975.1002.....	31	29314.0005.....	7	34055.0000.....	33	39975.0002.....	25
29006.0001.....	31	29323.0001.....	11	34061.0018.....	9,11	39975.0003.....	25
29006.0002.....	31	29323.0003.....	11	34061.1001.....	9,11	39975.0004.....	25
29006.0003.....	31	29323.0005.....	11	34061.1031.....	9,11	40666.0000.....	33
29006.0004.....	31	29323.0006.....	11	34061.1032.....	9,11	40666.0001.....	33
29006.0005.....	31	29323.0007.....	11	34063.0002.....	7	40666.0002.....	33
29006.0012.....	31	29327.0000.....	17	34063.0003.....	7	40670.0000.....	21
29006.0013.....	31	29329.1000.....	17	34065.1001.....	15	41193.0001.....	21
29006.0014.....	31	29446.0004.....	29	34069.1000.....	5	41402.1108.....	9
29006.0018.....	31	29484.0000.....	31	34070.1001.....	5	41499.1000.....	23
29007.0000.....	31	29484.0001.....	31	34074.1001.....	19	41499.1001.....	23
29008.0000.....	29	29485.1000.....	17	34074.1002.....	19	41499.1002.....	23
29065.0000.....	25	29485.1001.....	17	34074.1003.....	19	41499.1003.....	23
29072.0000.....	33	29486.0000.....	25	34074.1004.....	19	41760.0000.....	5
29072.0001.....	33	29581.0000.....	9,11	34074.1005.....	19		
29072.0003.....	33	29581.0001.....	9,11	34074.1006.....	19		
29072.0004.....	33	29669.1000.....	17	34074.1007.....	19		
29072.0005.....	33	29673.0000.....	31	34074.1009.....	19		
29072.0006.....	33	29679.0000.....	33	34074.1011.....	19		
29072.0007.....	33	29679.0001.....	33	34074.1016.....	19		
29072.0008.....	33	29680.0000.....	33	34074.1018.....	19		
29072.0010.....	33	29681.0000.....	33	34074.1025.....	19		
29072.0011.....	33	29682.0000.....	33	34097.0000.....	21		