

BUNN® IMIX®-3S+



ILLUSTRATED PARTS CATALOG

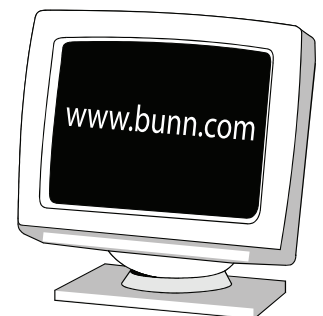
Designs, materials, weights, specifications, and dimensions for equipment or replacement parts are subject to change without notice.

BUNN-O-MATIC CORPORATION

POST OFFICE BOX 3227

SPRINGFIELD, ILLINOIS 62708-3227

PHONE: (217) 529-6601 FAX: (217) 529-6644



BUNN-O-MATIC COMMERCIAL PRODUCT WARRANTY

Bunn-O-Matic Corp. ("BUNN") warrants equipment manufactured by it as follows:

- 1) Airpots, thermal carafes, decanters, GPR servers, iced tea/coffee dispensers, MCP/MCA pod brewers thermal servers and Thermofresh servers (mechanical and digital)- 1 year parts and 1 year labor.
- 2) All other equipment - 2 years parts and 1 year labor plus added warranties as specified below:
 - a) Electronic circuit and/or control boards - parts and labor for 3 years.
 - b) Compressors on refrigeration equipment - 5 years parts and 1 year labor.
 - c) Grinding burrs on coffee grinding equipment to grind coffee to meet original factory screen sieve analysis - parts and labor for 4 years or 40,000 pounds of coffee, whichever comes first.

These warranty periods run from the date of installation BUNN warrants that the equipment manufactured by it will be commercially free of defects in material and workmanship existing at the time of manufacture and appearing within the applicable warranty period. This warranty does not apply to any equipment, component or part that was not manufactured by BUNN or that, in BUNN's judgment, has been affected by misuse, neglect, alteration, improper installation or operation, improper maintenance or repair, non periodic cleaning and descaling, equipment failures related to poor water quality, damage or casualty. In addition, the warranty does not apply to replacement of items subject to normal use including but not limited to user replaceable parts such as seals and gaskets. This warranty is conditioned on the Buyer 1) giving BUNN prompt notice of any claim to be made under this warranty by telephone at (217) 529-6601 or by writing to Post Office Box 3227, Springfield, Illinois 62708-3227; 2) if requested by BUNN, shipping the defective equipment prepaid to an authorized BUNN service location; and 3) receiving prior authorization from BUNN that the defective equipment is under warranty.

THE FOREGOING WARRANTY IS EXCLUSIVE AND IS IN LIEU OF ANY OTHER WARRANTY, WRITTEN OR ORAL, EXPRESS OR IMPLIED, INCLUDING, BUT NOT LIMITED TO, ANY IMPLIED WARRANTY OF EITHER MERCHANTABILITY OR FITNESS FOR A PARTICULAR PURPOSE. The agents, dealers or employees of BUNN are not authorized to make modifications to this warranty or to make additional warranties that are binding on BUNN. Accordingly, statements by such individuals, whether oral or written, do not constitute warranties and should not be relied upon.

If BUNN determines in its sole discretion that the equipment does not conform to the warranty, BUNN, at its exclusive option while the equipment is under warranty, shall either 1) provide at no charge replacement parts and/or labor (during the applicable parts and labor warranty periods specified above) to repair the defective components, provided that this repair is done by a BUNN Authorized Service Representative; or 2) shall replace the equipment or refund the purchase price for the equipment.

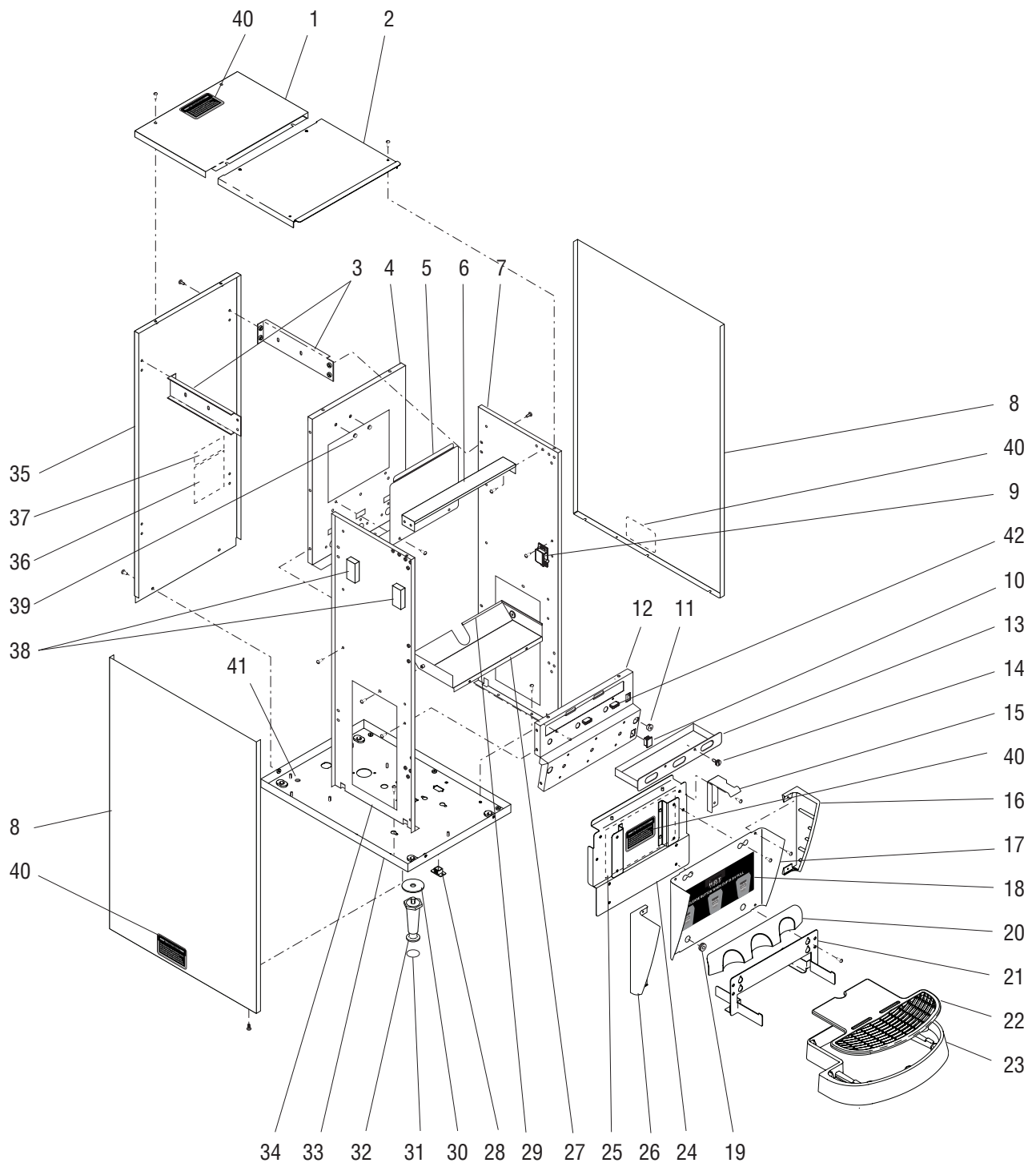
THE BUYER'S REMEDY AGAINST BUNN FOR THE BREACH OF ANY OBLIGATION ARISING OUT OF THE SALE OF THIS EQUIPMENT, WHETHER DERIVED FROM WARRANTY OR OTHERWISE, SHALL BE LIMITED, AT BUNN'S SOLE OPTION AS SPECIFIED HEREIN, TO REPAIR, REPLACEMENT OR REFUND.

In no event shall BUNN be liable for any other damage or loss, including, but not limited to, lost profits, lost sales, loss of use of equipment, claims of Buyer's customers, cost of capital, cost of down time, cost of substitute equipment, facilities or services, or any other special, incidental or consequential damages.

392, A Partner You Can Count On, Air Infusion, AutoPOD, AXIOM, BrewLOGIC, BrewMETER, Brew Better Not Bitter, BrewWISE, BrewWIZARD, BUNN Espresso, BUNN Family Gourmet, BUNN Gourmet, BUNN Pour-O-Matic, BUNN, BUNN with the stylized red line, BUNNlink, Bunn-O-Matic, Bunn-O-Matic, BUNNserve, BUNNSERVE with the stylized wrench design, Cool Froth, DBC, Dr. Brew stylized Dr. design, Dual, Easy Pour, EasyClear, EasyGard, FlavorGard, Gourmet Ice, Gourmet Juice, High Intensity, iMIX, Infusion Series, Intellisteam, My Café, Phase Brew, PowerLogic, Quality Beverage Equipment Worldwide, Respect Earth, Respect Earth with the stylized leaf and coffee cherry design, Safety-Fresh, savemycoffee.com, Scale-Pro, Silver Series, Single, Smart Funnel, Smart Hopper, SmartWAVE, Soft Heat, SplashGard, The Mark of Quality in Beverage Equipment Worldwide, ThermoFresh, Titan, trifacta, Velocity Brew, Air Brew, Beverage Bar Creator, Beverage Profit Calculator, Brew better, not bitter., BUNNSource, Coffee At Its Best, Cyclonic Heating System, Daypart, Digital Brewer Control, Element, Milk Texturing Fusion, Nothing Brews Like a BUNN, Pouring Profits, Signature Series, Sure Tamp, Tea At Its Best, The Horizontal Red Line, Ultra are either trademarks or registered trademarks of Bunn-O-Matic Corporation. The commercial trifacta® brewer housing configuration is a trademark of Bunn-O-Matic Corporation.

TABLE OF CONTENTS

TITLE	PAGE NO.
Auger Drive and Hopper Assembly	16
Covers, Panels and Drip Tray	4
Dispense Valves and Lines.....	24
Door, Lamp, Dispense Switches and Panels (Left and Right Hinged Doors).....	8
Door, Lamp, Dispense Switches and Panels (Top Hinged Doors)	12
Electrical Controls	26
Mixing/Whipper Chambers and Drive Motor	18
Numerical Index.....	28
Tank, Heater and Overflow Protection	20



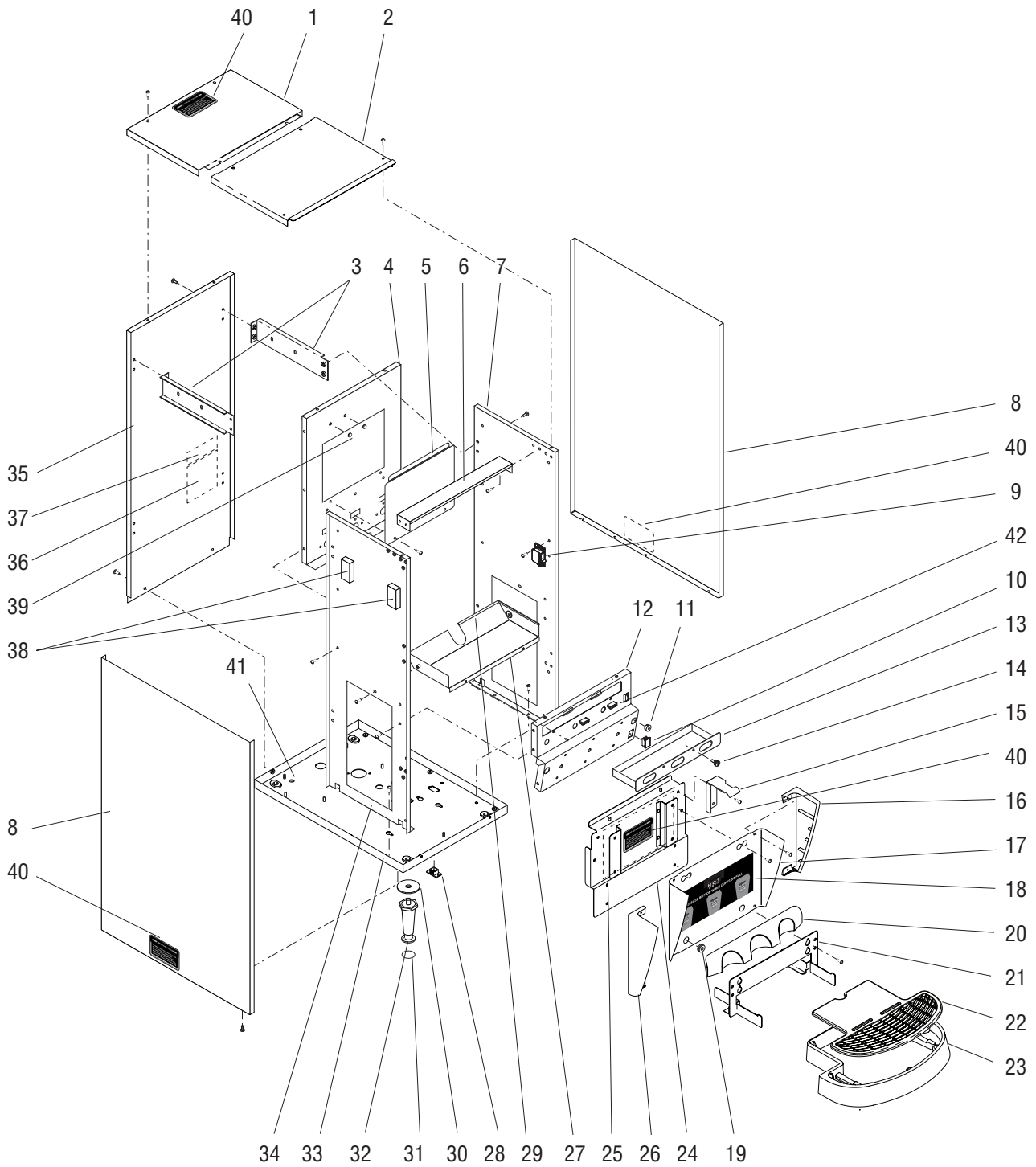
COVERS, PANELS AND DRIP TRAY

ITEM	PART NO.	QTY.	DESCRIPTION
1	36958.0001	1	Cover, Top Rear - BLK
	36958.0002*	1	Cover, Top Rear - SST
	01311.0003	2	Screw, Truss Head BLK #8-32 x .25"
	01311.0000	2	Screw, Truss Head SST #8-32 x .25"
2	36959.0001	1	Cover, Top Front - BLK (Right and Left Hinged Doors)
	36959.0002*	1	Cover, Top Front - SST (Right and Left Hinged Doors)
	41577.0001	1	Cover, Top Front - BLK (Top Hinged Doors)
	01311.0003	2	Screw, Truss Head BLK #8-32 x .25"
	01311.0000	2	Screw, Truss Head SST #8-32 x .25"
	01382.0002	2	Screw, Truss Head BLK #6-32 x .375"
	01308.0000	2	Screw, Truss Head SST #6-32 x .375"
3	35926.0000	4	Bracket, Side Support
	01311.0001	8	Screw, Truss Head - Locking #8-32 x .25"
4	36967.0003	1	Panel, Inner Rear (Right and Left Hinged Doors)
	36967.0005	1	Panel, Inner Rear (Top Hinged Doors)
	01311.0001	6	Screw, Truss Head - Locking #8-32 x .25"
5	36968.0001	1	Panel, Inner Access
	01311.0000	2	Screw, Truss Head #8-32 x .25"
6	36986.0000	1	Strap, Top Support (Right and Left Hinged Doors)
	41660.0000	1	Bracket, Hinge (Top Hinged Doors)
	01311.0001	6	Screw, Truss Head - Locking #8-32 x .25"
7	36230.0001	1	Panel, Inner Right (Right Hinged Door)
	36230.0002	1	Panel, Inner Right (Left Hinged Door)
	36230.0003	1	Panel, Inner Right (Top Hinged Doors)
	01311.0001	2	Screw, Truss Head - Locking #8-32 x .25"
8	35912.0001*	2	Panel, Side - BLK (Right and Left Hinged Doors)
	35912.0002*	2	Panel, Side - SST (Right and Left Hinged Doors)
	35912.0012	1	Panel, Right Side (Top Hinged Doors)
	35912.0014	1	Panel, Left Side (Top Hinged Doors)
	01311.0003	6	Screw, Truss Head BLK #8-32 x .25"
	01311.0000	6	Screw, Truss Head SST #8-32 x .25"
9	34666.0000	1	Catch, Door Latch
	02336.0000	2	Screw, Truss Head #4-40 x .375"
	01509.0001	2	Lockwasher, Int.-tooth #4
10	38935.0000	1	Insert, Switch Hole
11	00669.0005	1	Plug
12	36965.0000	1	Panel, Whipper Motor (Early Models)
	36965.0003	1	Panel, Whipper Motor (Late Models)(Rocker Type Rinse Switch)
	36965.0005	1	Panel, Whipper Motor (Late Models)(Toggle Type Rinse Switch)
	01311.0001	8	Screw, Truss Head - Locking #8-32 x .25"
13	36978.0000	1	Tray, Powder Box (Early Models)
	36978.0001	1	Tray, Powder Box (Late Models)
14	37988.0000	2	Screw, Captive #10-32 x .50" (Early Models)
	34998.0000	2	E-Ring, Retaining .127" OD
15	36644.0000	1	Bracket, Door Locking
	01311.0001	2	Screw, Truss Head - Locking #8-32 x .25"
16	36743.0001	1	Cap, Splash Panel Right
	44224.0000	2	Screw, Pan Head Plastite #6 x .375"

(Continued)

* Indicates the part number listed is for reference only. See DESCRIPTION for possible service replacement.

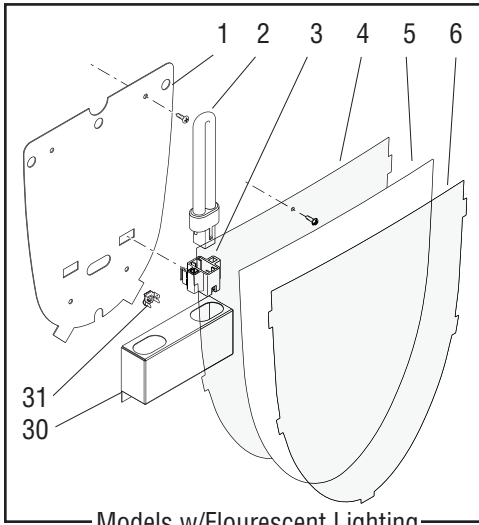
(Continued)



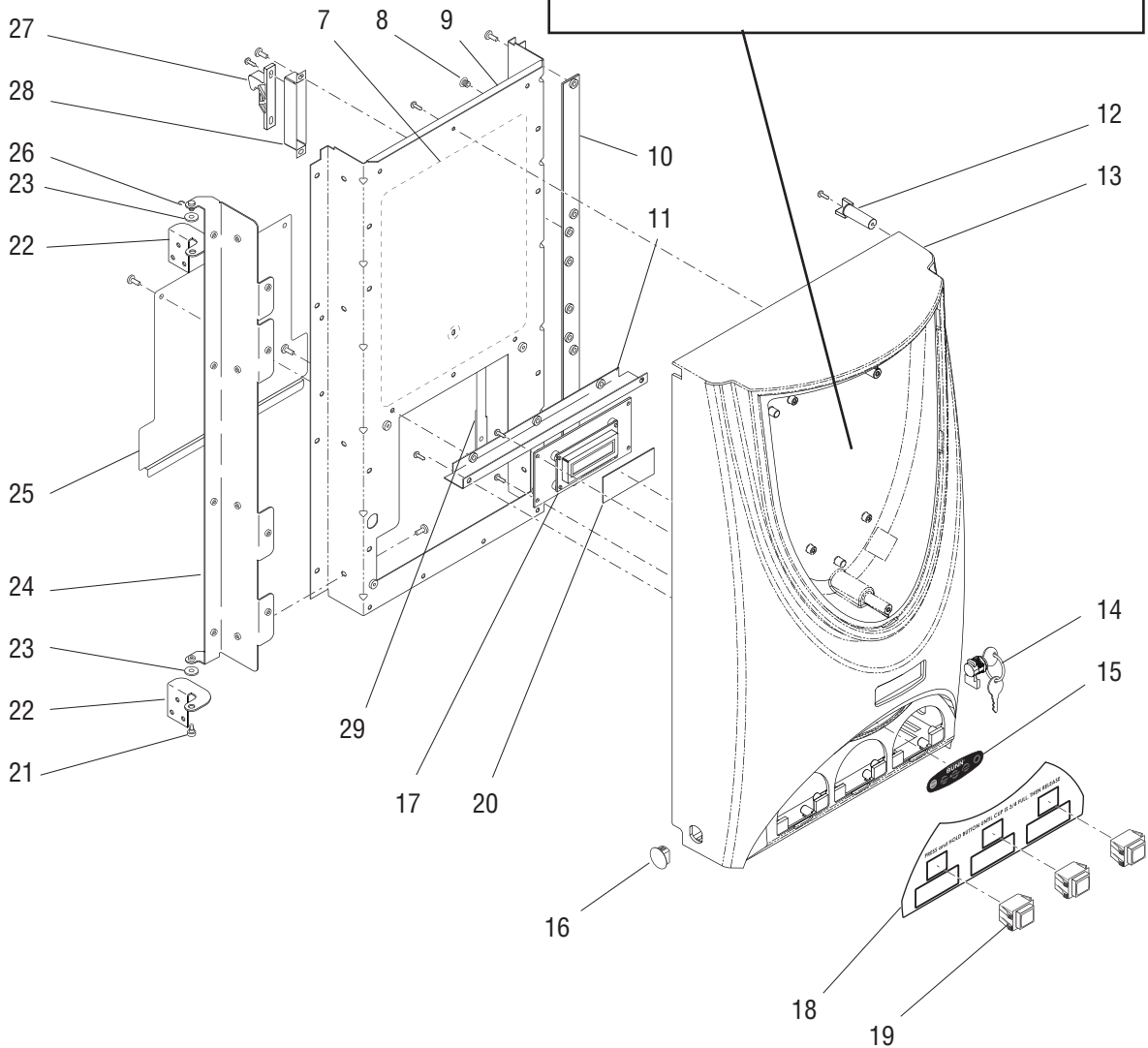
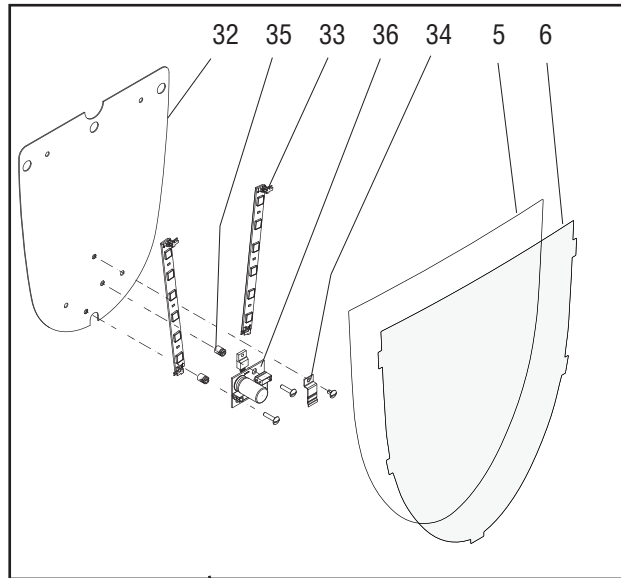
COVERS, PANELS AND DRIP TRAY

ITEM	PART NO.	QTY.	DESCRIPTION
17	37498.1000	1	Panel W/Decal, Splash (Includes items 16, 18, 19, 20, & 26)
18	28328.0011	1	Decal, Caution-Hot Liquid & Cup
19	02536.0000	2	Grommet, Silicone .375" ID
20	36983.0000	1	Guide, Cup
21	37462.0000	1	Bracket, Drip Tray
	01311.0001	2	Screw, Truss Head - Locking #8-32 x .25"
22	36985.0000	1	Cover, Drip Tray
23	36984.0000	1	Drip Tray
24	36972.0001*	1	Panel, Lower Access
	01311.0000	2	Screw, Truss Head #8-32 x .25"
25	38986.0000	1	Schematic 120V (Doors with Fluorescent Lighting)
	38986.0013	1	Schematic 120V (Doors with LED Lighting)
	38986.0001	1	Schematic 230V (Doors with Fluorescent Lighting)
26	36743.0000	1	Cap, Splash Panel Left
	44224.0000	2	Screw, Pan Head Plastite #6 x .375"
27	36974.0001	1	Shelf, Powder Box
	01311.0001	2	Screw, Truss Head - Locking #8-32 x .25"
	02336.0000	2	Screw, Truss Head #4-40 x .375"
28	36398.0000	1	Plug, Hole DB-9 (Early Models)
29	02434.0008*	4	Gasket, U-Channel 4.60" (Order item 44)
30	01526.0001	4	Washer, Flat .438" ID x 1.88" OD
31	03996.0000	4	Pad, Rubber 1.25" Dia. (Also see item 43)
32	26528.0000	4	Leg, 4.0" Adjustable (Also see item 43)
33	36963.0000	1	Panel, Bottom
34	36229.0001	1	Panel, Inner Left (Right Hinged Door)
	36229.0002	1	Panel, Inner Left (Left Hinged Door)
	36229.0003	1	Panel, Inner Left (Top Hinged Doors)
	01311.0001	2	Screw, Truss Head - Locking #8-32 x .25"
35	36961.1001	1	Panel Assembly, Rear - BLK (Includes items 36 and 37)
	36961.0002*	1	Panel Assembly, Rear - SST
	01311.0003	11	Screw, Truss Head BLK #8-32 x .25"
	01311.0000	11	Screw, Truss Head SST #8-32 x .25"
36	00986.0000	1	Decal, Warning-Electrical
37	00656.0001	1	Decal, Comply to Plumbing Code
38	36896.0000	4	Pad, Styro 1.0" x 2.0" x 0.5"
39	00619.0002	2	Plug, Hole .25" Dia.
40	37881.0000	4	Decal, No Serviceable Parts
41	00824.0002	1	Decal, Grounding
42	21436.0000	2	Catch, Magnetic Snap-in
43	13255.0003	-	Kit, Leg 4.0" Adjustable (Includes 4 each of items 31 & 32)
44	02434.1000	-	Gasket, U-Channel - 18" LG
	02434.1001	-	Gasket, U-Channel - 36" LG

* Indicates the part number listed is for reference only. See DESCRIPTION for possible service replacement.



Models w/Flourescent Lighting



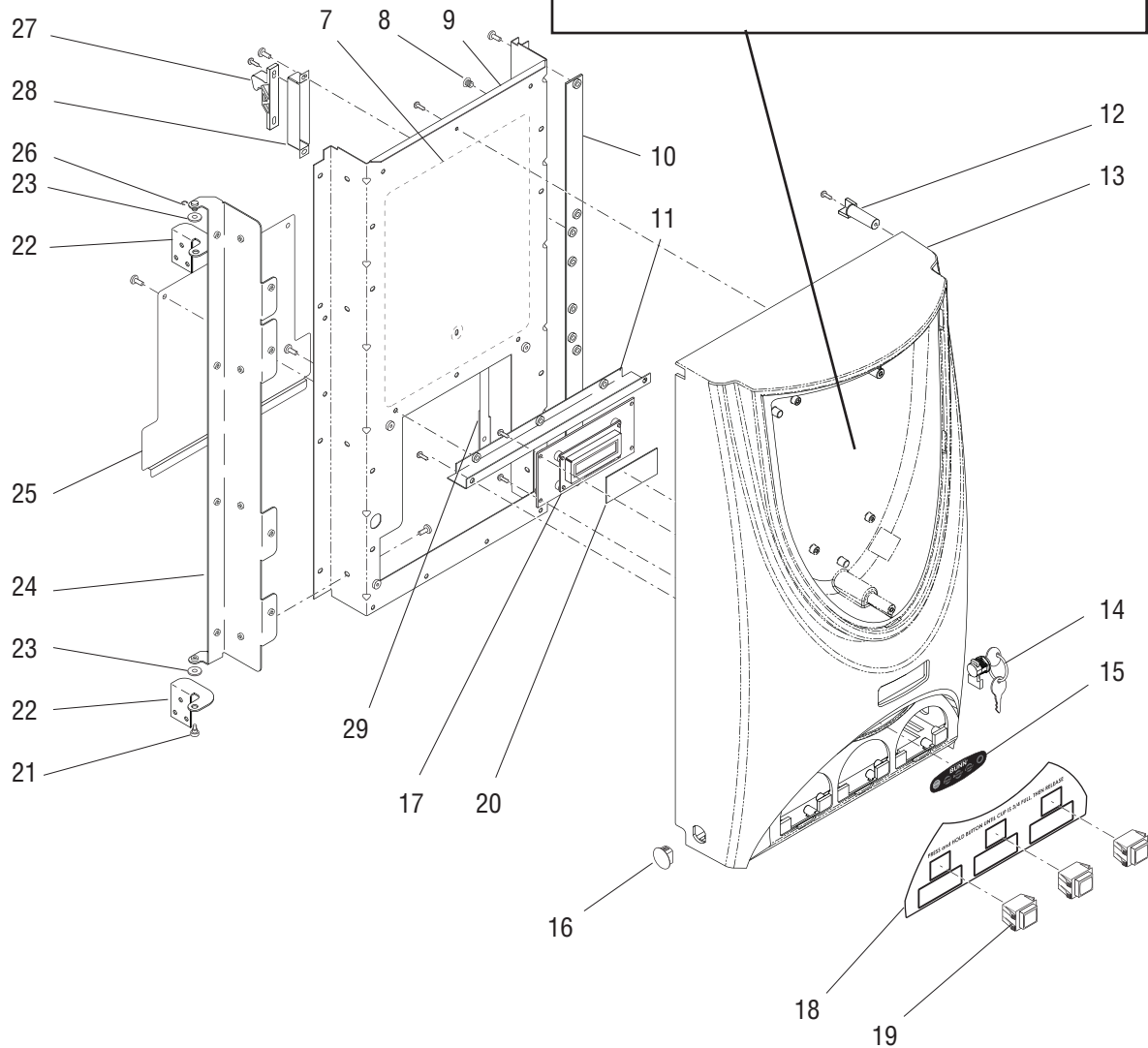
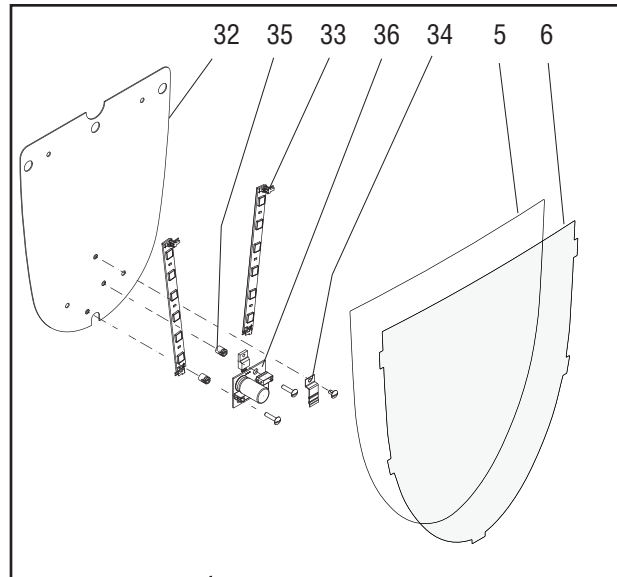
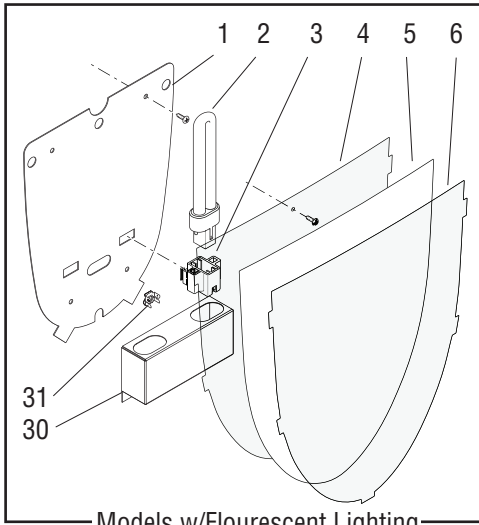
**DOOR, LAMP, DISPENSE SWITCHES AND PANELS
(LEFT & RIGHT HINGED DOORS)**

ITEM	PART NO.	QTY.	DESCRIPTION
1	37466.0003	1	Panel, Lamp (Doors with Fluorescent Lighting)
	01360.0002	4	Screw, Pan Head Plascrew #6 - 32 x .375"
2	32806.0000	2	Lamp, Fluorescent - 7 Watts (Doors with Fluorescent Lighting)
3	32807.0001	2	Lamp Holder, Fluorescent (Doors with Fluorescent Lighting)
4	37456.0000	1	Lens, Fixed
	02336.0000	2	Screw, Truss Head #4-40 x .375"
5	37457.0000	1	Display, Graphics
	37457.0006	1	Display, Iced Coffee Graphics
6	37456.0001	1	Lens, Removable
7	37254.0003	1	Decal, Cleaning
8	36149.0000	8	Fastener, Snap-in .197" Hole
9	36667.1001	1	Panel, Door - Upper (Right Hinged Door)(Includes item 7)
	36667.1003	1	Panel, Door - Upper (Left Hinged Door)(Includes item 7)
	01360.0002	8	Screw, Pan Head Plascrew #6 - 32 x .375"
	01311.0001	19	Screw, Truss Head Locking #8-32 x .25"
10	36658.0000	1	Flange, Door
11	36734.0001	1	Bracket, Inner Panel
	01360.0002	2	Screw, Pan Head Plascrew #6 - 32 x .375"
12	36244.0000	1	Plug, Door Hinge
	01360.0002	1	Screw, Pan Head Plascrew #6 - 32 x .375"
13	37096.0001	1	Door
14	32863.1000	1	Keylock W/Keys, Door (Not used on models without door locks)
	28095.0000	1	Key Set
15	36231.0000	1	Membrane Switch
16	00669.0004	1	Plug, .75" x .625" hole (One additional used on models without door locks)
17	38832.1000	1	Circuit Board, Display
	01311.0000	4	Screw, Truss Head #8-32 x .25"
18	39060.0000	1	Plate, Switch
19	28296.0002	3	Switch, Dispense
20	37013.0000	1	Cover, LCD Door Lens
21	24457.0002	1	Screw, .25" Shoulder #8-32
22	36647.0000	2	Bracket, Hinge (Left Side Hinge)
	36647.0001	2	Bracket, Hinge (Right Side Hinge)
	01311.0001	6	Screw, Truss Head #8-32 x .25" Locking
23	34362.0000	2	Bushing, Hinge
24	36661.0000	1	Flange, Door Hinge (Left Side Hinge)
	36661.0001	1	Flange, Door Hinge (Right Side Hinge)

(Continued)

* Indicates the part number listed is for reference only. See DESCRIPTION for possible service replacement.

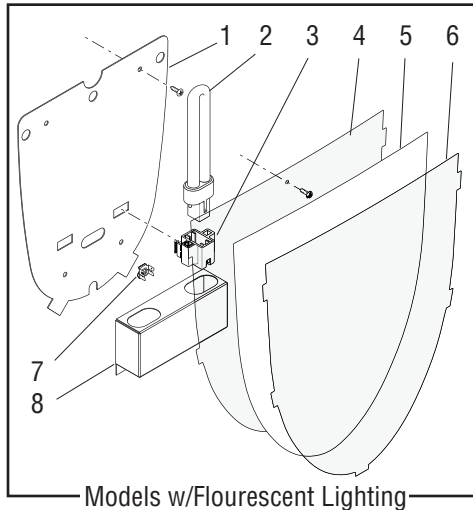
(Continued)



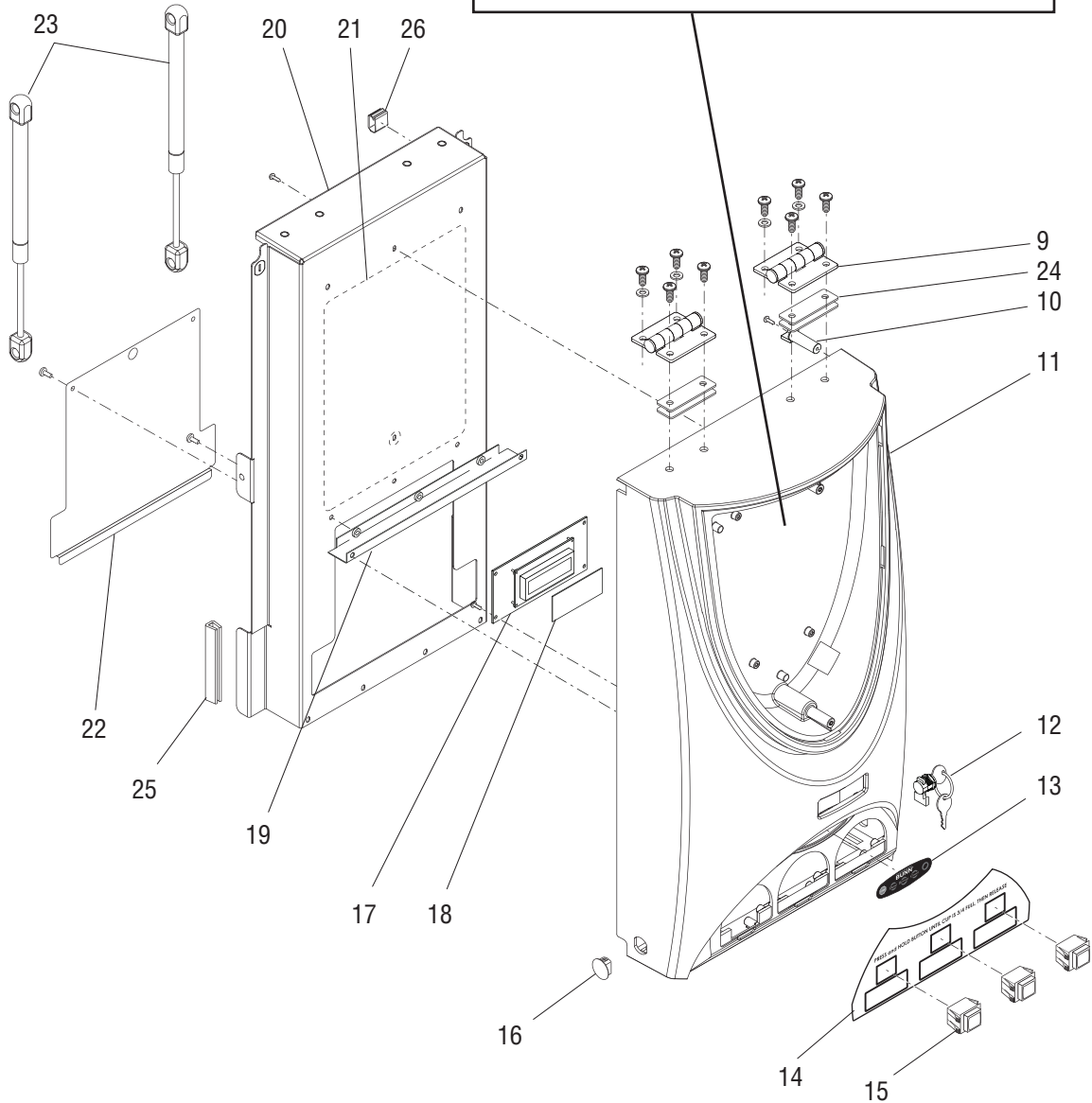
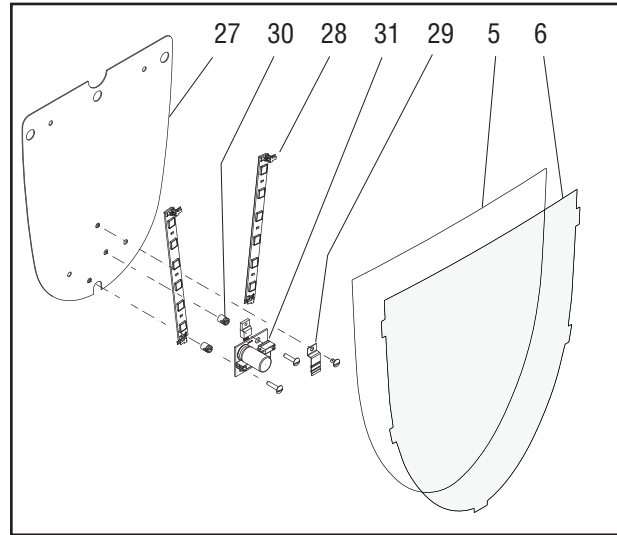
**DOOR, LAMP, DISPENSE SWITCHES AND PANELS
(LEFT & RIGHT HINGED DOORS)**

ITEM	PART NO.	QTY.	DESCRIPTION
25	36659.0001	1	Panel, Door - Lower (Right Hinged Door)
	36659.0003	1	Panel, Door - Lower (Left Hinged Door)
	01311.0000	2	Screw, Truss Head #8-32 x .25"
	01311.0001	1	Screw, Truss Head #8-32 x .25" Locking"
26	01403.0000	1	E-Ring, External .188" Shaft
27	34667.0000	1	Keeper, Door Latch
	01382.0000	2	Screw, Truss Head #6-32 x .38"
28	36669.0000	1	Bracket, Keeper Mounting
	01311.0001	2	Screw, Truss Head #8-32 x .25" Locking"
29	40031.1000	1	Baffle Kit, Left Hand Hinge
	40031.1001	1	Baffle Kit, Right Hand Hinge
30	40032.0000	1	Bracket (Doors with Flourescent Lighting)
31	28335.0000	1	Clip, Ground (Doors with Flourescent Lighting)
32	46278.0001	1	Panel, LED (Doors with LED Lighting)
	01360.0002	4	Screw, Pan Head Plascrew #6 - 32 x .375"
33	42593.0000	2	CBA, 6 LED
34	41244.0000	1	Clip
	01308.0002	1	Screw, Truss Head 6-32 x .25" Lkg
35	29081.0005	2	Spacer
36	48005.0001	1	CBA, Backlight Regulator
	02367.0002	2	Screw, Truss Head 6-32 x .62" Lkg
NOTE: The following items are not illustrated			
37	39038.0000	1	Plate, Latch Mounting
	01382.0000	2	Screw, Truss Head #6-32 x .38"
38	26444.0000	2	Bushing, Strain Relief
39	36888.0000	1	Wiring Harness, Door Interconnect (Doors with Flourescent Lighting)
	47311.0001	1	Wiring Harness, Door Interconnect (Doors with LED Lighting)
40	36887.0003	1	Wiring Harness, Backlight (Doors with Flourescent Lighting)
41	26537.0000	1	Decal, Flavors (Almond Amaretto, Cappuccino, French Vanilla, Hazelnut, Hot Chocolate and Raspberry Mocha)
	26537.0001	1	Decal, Flavors (Swiss Mocha, Mocha, Raspberry Vanilla, Irish Creme, Coffee and Original)
	26537.0003	1	Decal, Flavors (White Chocolate, Cinnamon Vanilla Nut, Decaf, Regular, French Vanilla and Hot Chocolate)
	26537.0039	1	Decal, Iced Coffee Flavors (Espresso Latte, Mocha Latte, Colombian, Dark Roast, Raspberry Coffee, Hazelnut Coffee, French Vanilla Latte, Caramel Latte, Chai Tea Latte, Horchatta)

* Indicates the part number listed is for reference only. See DESCRIPTION for possible service replacement.



Models w/Flourescent Lighting



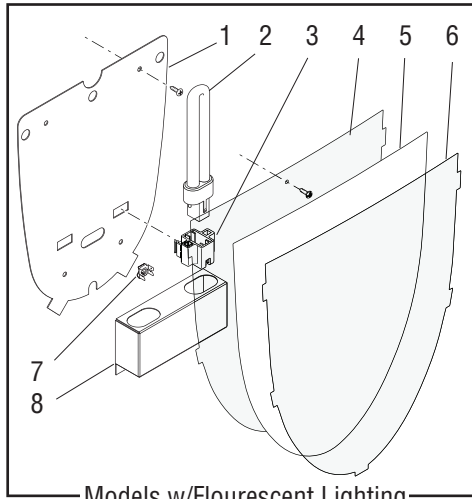
**DOOR, LAMP, DISPENSE SWITCHES AND PANELS
(TOP HINGED DOORS)**

ITEM	PART NO.	QTY.	DESCRIPTION
1	37466.0003	1	Panel, Lamp (Doors with Fluorescent Lighting)
	01360.0002	4	Screw, Pan Head Plascrew #6 - 32 x .375"
2	32806.0000	2	Lamp, Fluorescent - 7 Watts (Doors with Fluorescent Lighting)
3	32807.0001	2	Lamp Holder, Fluorescent (Doors with Fluorescent Lighting)
4	37456.0000	1	Lens, Fixed
	02336.0000	2	Screw, Truss Head #4-40 x .375"
5	37457.0000	1	Display, Graphics
	37457.0006	1	Display, Iced Coffee Graphics
6	37456.0001	1	Lens, Removable
7	28335.0000	1	Clip, Ground (Doors with Fluorescent Lighting)
8	40032.0000	1	Bracket (Doors with Fluorescent Lighting)
9	43514.0001	2	Hinge
	41923.0000	8	Screw, Pan Head BLK .25-20 x
	41921.0000	4	Washer
10	36244.0000	1	Plug, Door Hinge
	01360.0002	1	Screw, Pan Head Plascrew #6 - 32 x .375"
11	37096.1005	1	Door
12	32863.1000	1	Keylock W/Keys, Door (Not used on models without door locks)
	28095.0000	1	Key Set
13	36231.0000	1	Membrane Switch
14	39060.0000	1	Plate, Switch
15	28296.0002	3	Switch, Dispense
16	00669.0004	1	Plug, .75" x .625" hole (One additional used on models without door locks)
17	38832.1000	1	Circuit Board, Display
	01311.0000	4	Screw, Truss Head #8-32 x .25"
18	37013.0000	1	Cover, LCD Door Lens
19	36734.0001	1	Bracket, Inner Panel
	01360.0002	2	Screw, Pan Head Plascrew #6 - 32 x .375"
20	41564.0000	1	Panel, Door - Upper (Includes item 21)
	44224.0000	8	Screw, Pan Head Plastite #6 x .375"
	01311.0001	19	Screw, Truss Head Locking #8-32 x .25"
21	37254.0001	1	Decal, Cleaning
22	36659.0003	1	Panel, Door - Lower
	01311.0000	4	Screw, Truss Head #8-32 x .25"
23	33111.1001	2	Gas Spring
24	44095.0000	4	Shim

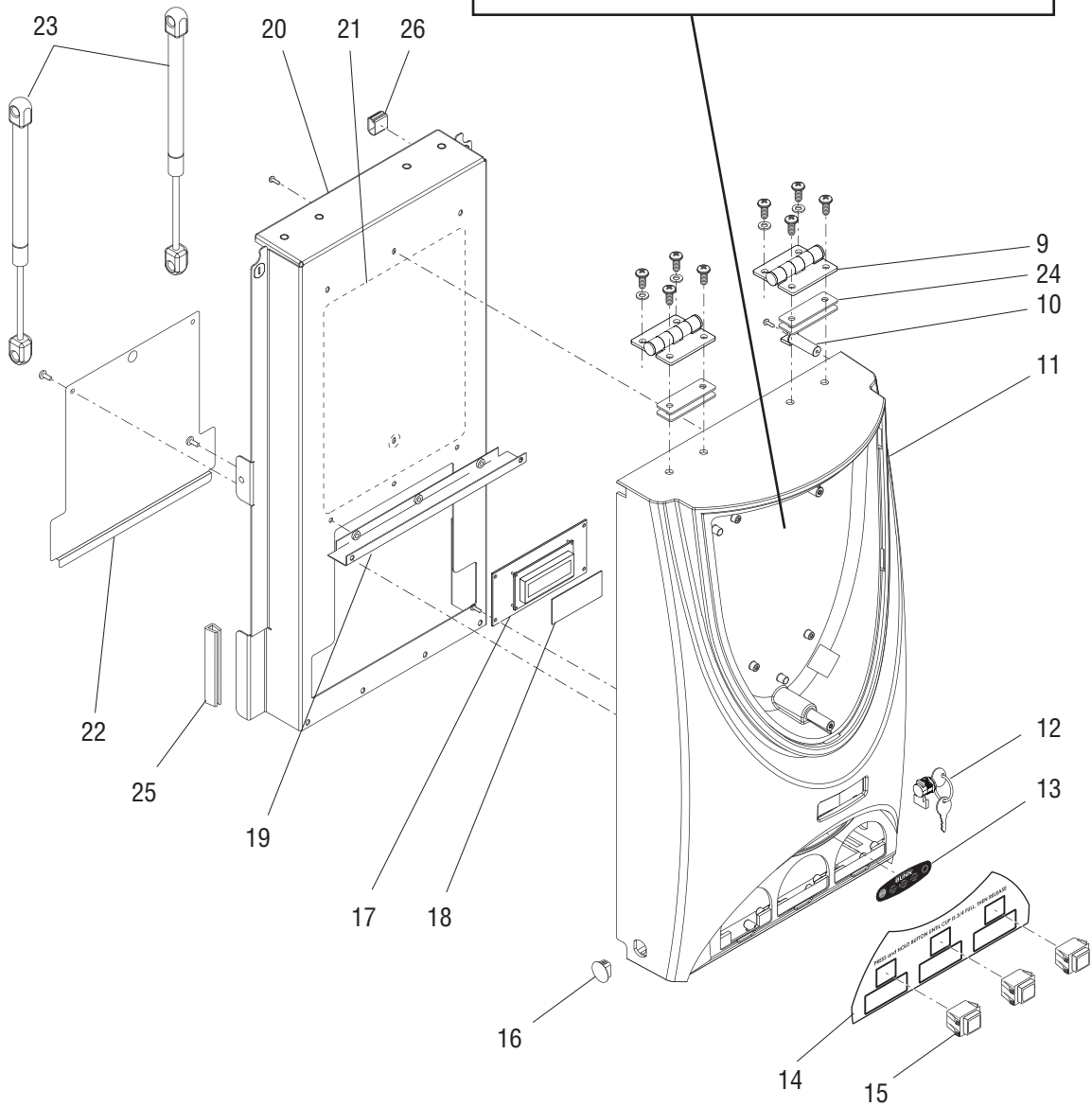
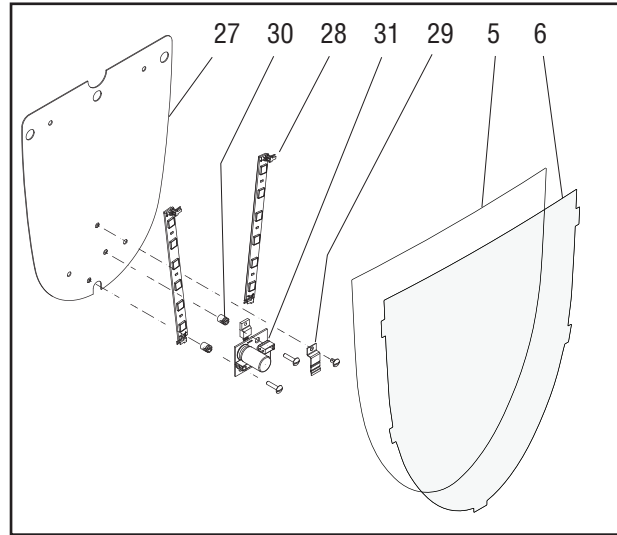
(Continued)

* Indicates the part number listed is for reference only. See DESCRIPTION for possible service replacement.

(Continued)



Models w/Flourescent Lighting

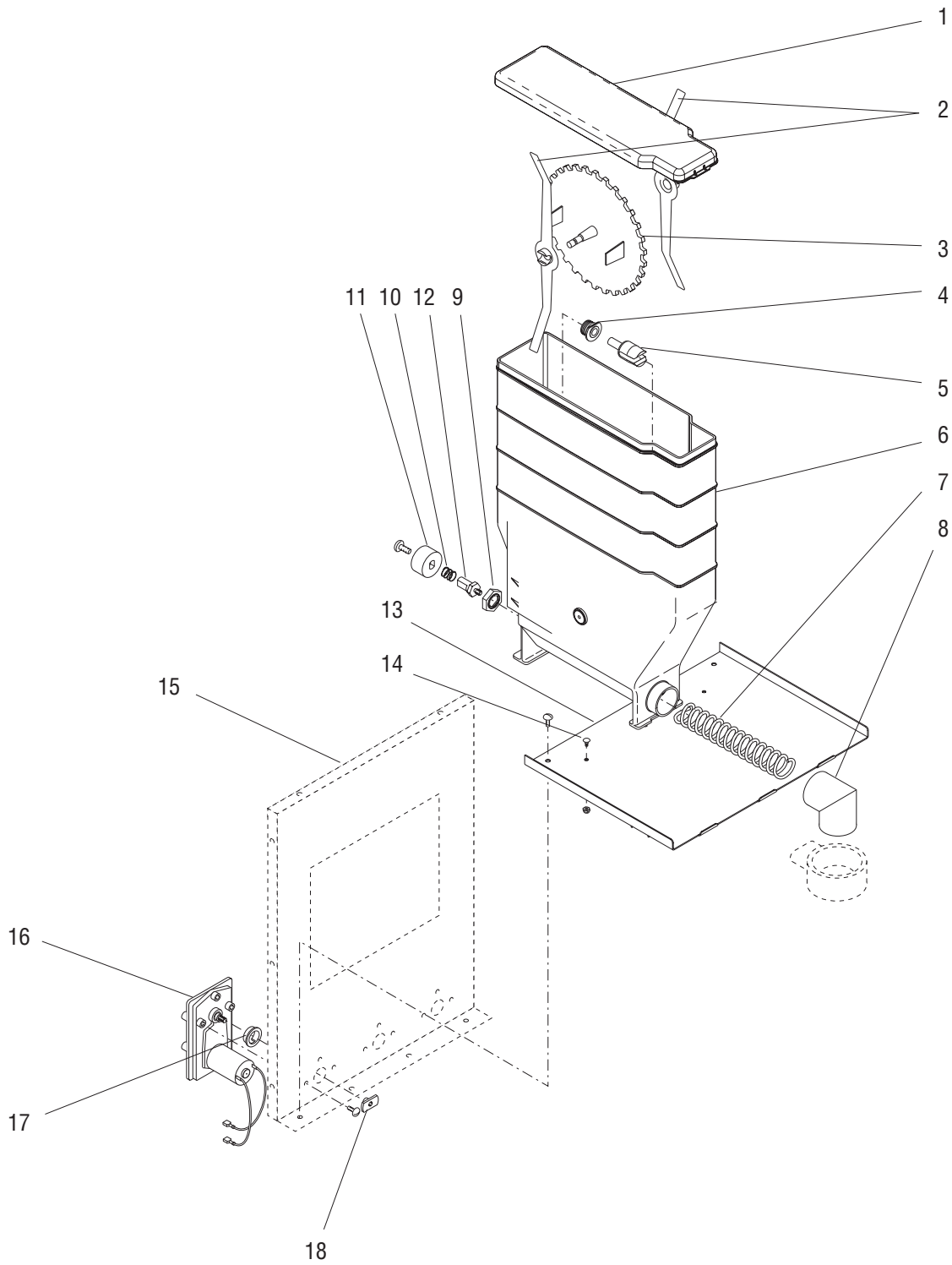


P4116.45

**DOOR, LAMP, DISPENSE SWITCHES AND PANELS
(TOP HINGED DOORS)**

ITEM	PART NO.	QTY.	DESCRIPTION
25	02434.0005*	2	Gasket, U-channel 3.5" (order item 36)
26	35260.0000	2	Cable Mount
27	46278.0001	1	Panel, LED (Doors with LED Lighting)
	01360.0002	4	Screw, Pan Head Plascrew #6 - 32 x .375"
28	42593.0000	2	CBA, 6 LED
29	41244.0000	1	Clip
	01308.0002	1	Screw, Truss Head 6-32 x .25" Lkg
30	29081.0005	2	Spacer
31	48005.0001	1	CBA, Backlight Regulator
	02367.0002	2	Screw, Truss Head 6-32 x .62" Lkg
NOTE: The following items are not illustrated			
32	00707.0001	2	Bushing, Strain Relief
33	36888.0002	1	Wiring Harness, Door Interconnect (Doors with Flourescent Lighting)
	47311.0001	1	Wiring Harness, Door Interconnect (Doors with LED Lighting)
34	36887.0003	1	Wiring Harness, Backlight
35	26537.0000	1	Decal, Flavors (Almond Amaretto, Cappuccino, French Vanilla, Hazelnut, Hot Chocolate and Raspberry Mocha)
	26537.0001	1	Decal, Flavors (Swiss Mocha, Mocha, Raspberry Vanilla, Irish Creme, Coffee and Original)
	26537.0003	1	Decal, Flavors (White Chocolate, Cinnamon Vanilla Nut, Decaf, Regular, French Vanilla and Hot Chocolate)
	26537.0039	1	Decal, Iced Coffee Flavors (Espresso Latte, Mocha Latte, Colombian, Dark Roast, Raspberry Coffee, Hazelnut Coffee, French Vanilla Latte, Caramel Latte, Chai Tea Latte, Horchatta)
36	02434.1000	-	Gasket, U-Channel - 18" LG
	02434.1001	-	Gasket, U-Channel - 36" LG

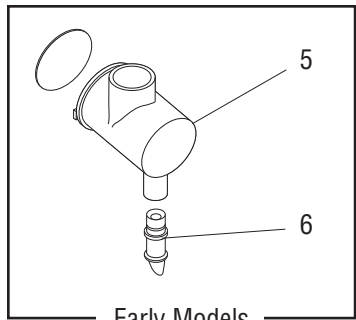
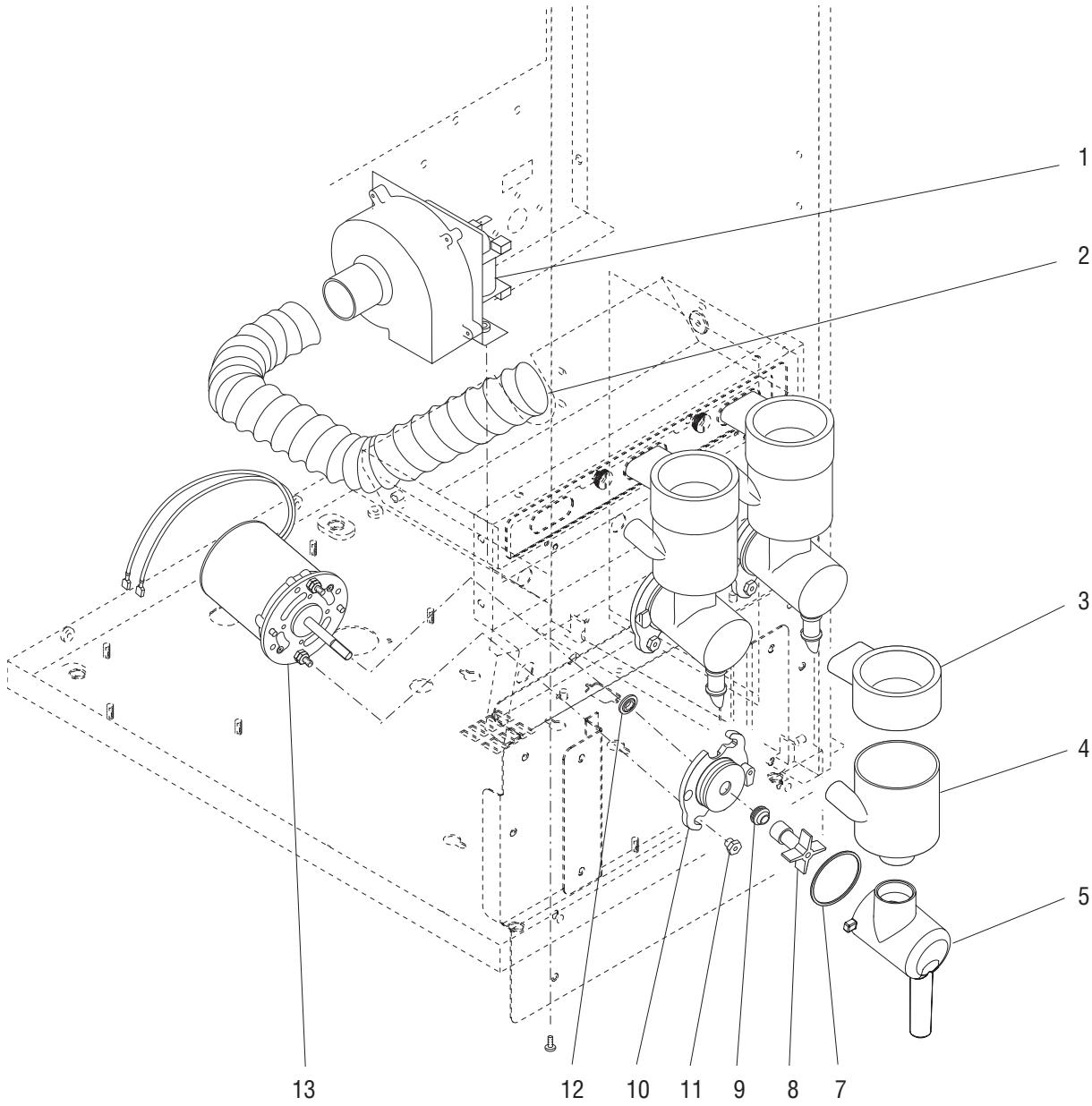
* Indicates the part number listed is for reference only. See DESCRIPTION for possible service replacement.



AUGER DRIVE AND HOPPER ASSEMBLY

ITEM	PART NO.	QTY.	DESCRIPTION
-	37010.1001	1	Hopper Assy (Includes one each of items 1-12)
1	36653.0001	3	Lid, Hopper
2	32337.0000	6	Mixing Blade
3	32386.0001	3	Disk, Agitator (30 Tooth)
4	28067.0000	3	Bushing, Auger Drive Shaft
5	26940.0002	3	Shaft, Auger Drive
6	37011.0001	3	Hopper
7	39442.0000	3	Auger, Wire
8	25903.0000	3	Elbow, Ejector
9	25743.0000	3	Locknut
10	36774.0000	3	Spring, Hopper Coupling
11	36770.0000	3	Coupling, Auger Drive
	01326.0002	3	Screw, Truss Head #10-32 x .25"
12	37539.1000	3	Shaft, Auger Drive
13	36970.0000	1	Panel, Hopper Support
	01311.0000	2	Screw, Truss Head #8-32 x .25" Locking
14	20960.0000	3	Screw, Shoulder #6-32 x .375"
	00991.0002	3	Nut, Elastic Lock #6-32
15	-----	-	See COVERS, PANELS & DRIP TRAYS
16	37037.0001	3	Gearmotor Assy, Auger (Each includes items 17 & 18)
	01311.0000	9	Screw, Truss Head #8-32 x .25"
17	26401.0000	1	Dust Seal, Hopper Motor
18	36773.0000	1	Plate, Auger Drive
19	35260.0000	3	Cable Mount, Adhesive (Not Illustrated)

* Indicates the part number listed is for reference only. See DESCRIPTION for possible service replacement.

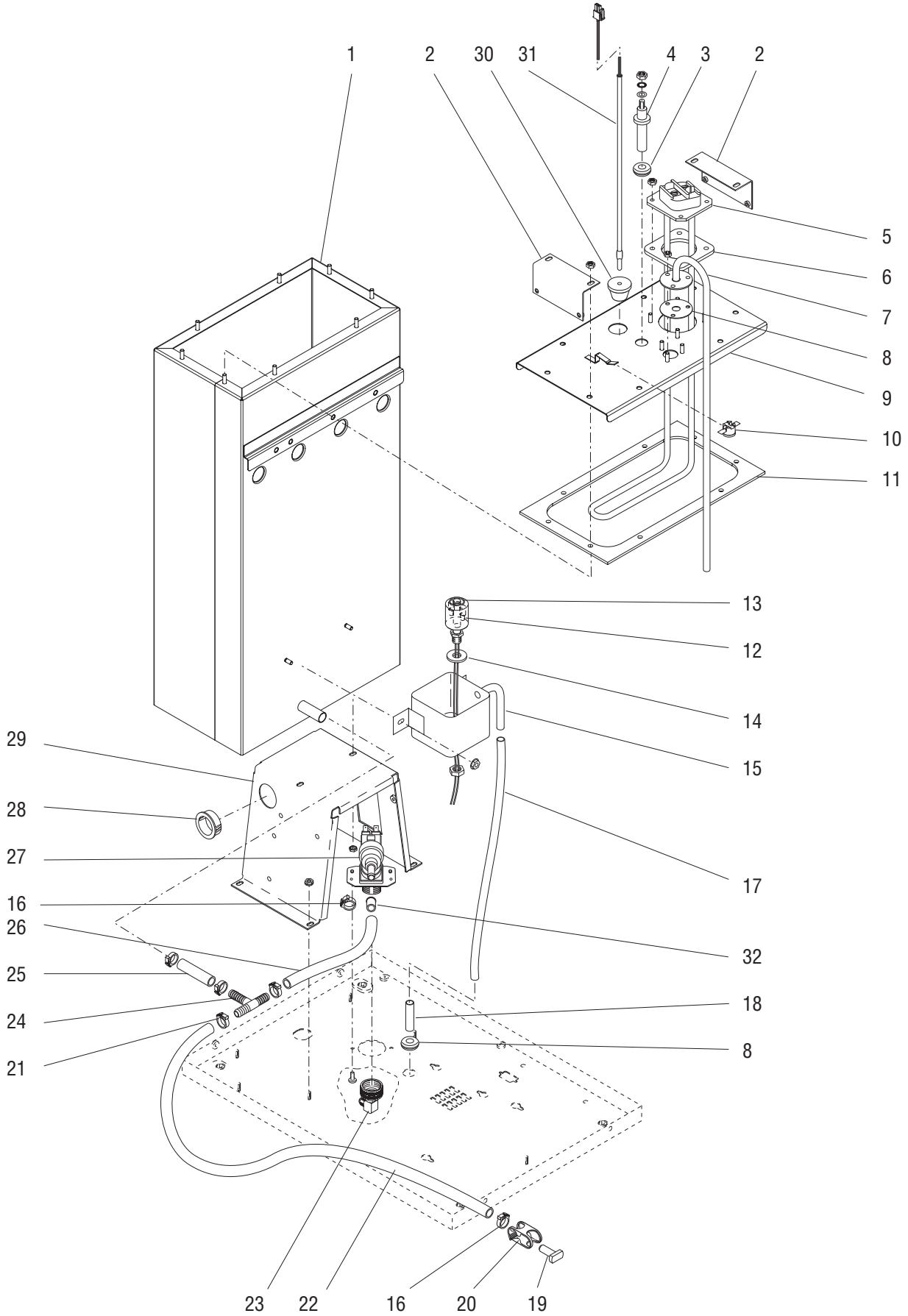


Early Models

MIXING/WHIPPER CHAMBERS AND DRIVE MOTOR

ITEM	PART NO.	QTY.	DESCRIPTION
1	28295.0000	1	Fan & Bracket Assembly 120V
	28295.0001	1	Fan & Bracket Assembly 230V
	01311.0001	2	Screw, Truss Head - Locking #8-32 x .25"
2	28297.0001	1	Hose, Vacuum
3	25732.0000	3	Steam Collector
4	25733.0003	3	Mixing Chamber
5	25734.1000	3	Whipper Chamber (One Piece
	25734.0002	3	Whipper Chamber (Canadian Models)
6	25736.0000*	3	Dispense Tip
	28864.0000*	3	Dispense Tip, Soup } Early Models. Order item 5
7	24733.0010	3	O-Ring
8	25902.0000	3	Frother
9	26356.0000	3	Seal, Shaft
	26356.1000	-	Kit, Shaft Seal (Includes 6 Seals)
10	28866.0000	3	Receptacle, Whipper Chamber
11	28865.0000	6	Nut, Whipper Motor/Receptacle Mounting
12	28867.0000	3	Slinger
13	28428.1000	3	Motor, Whipper 120V
	28428.1002	3	Motor, Whipper 230V
14	32906.0001	-	Kit, Preventive Maintenance (Includes items 3 thru 10 and 25903.0000 Elbow)

* Indicates the part number listed is for reference only. See DESCRIPTION for possible service replacement.



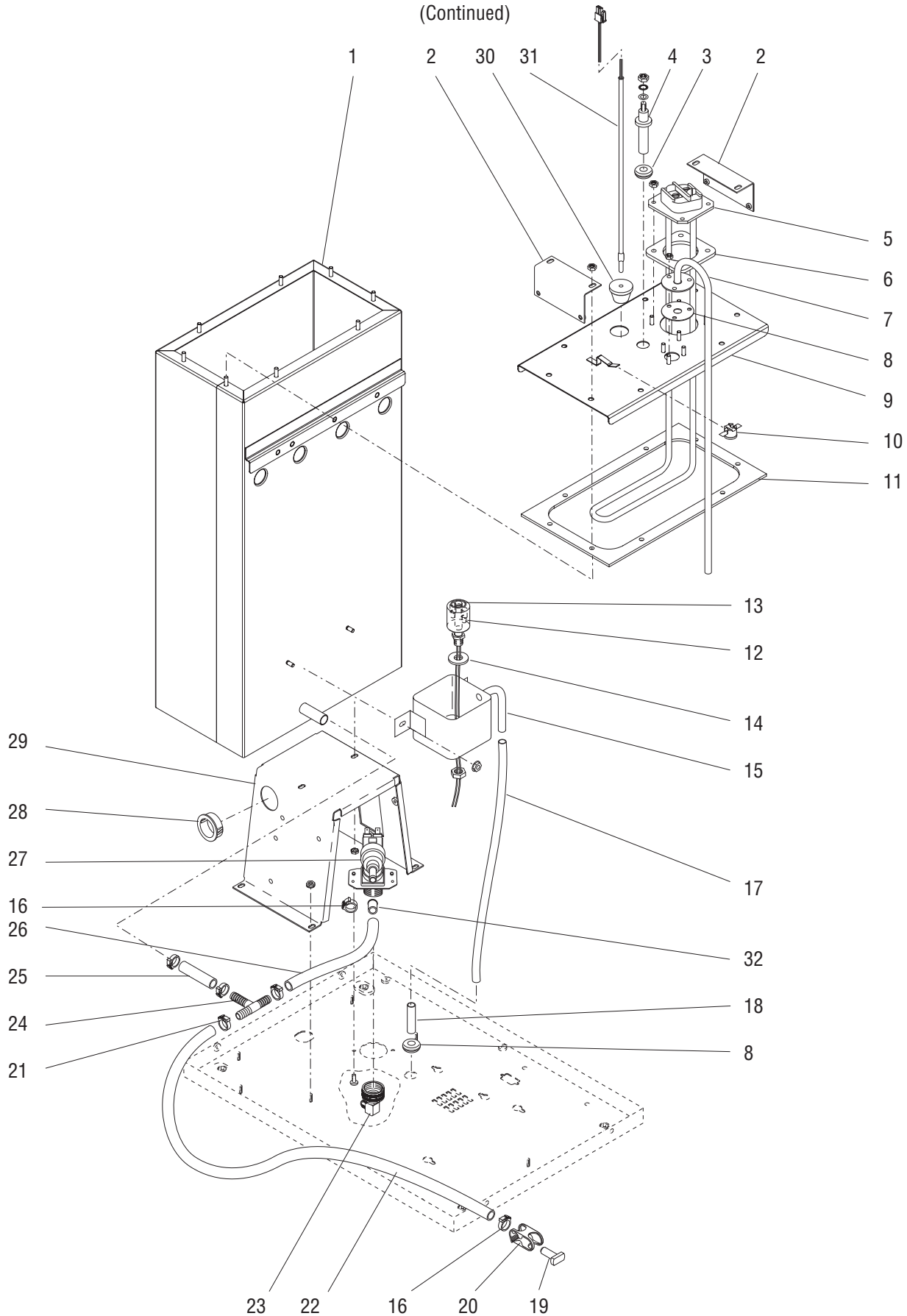
TANK, HEATER AND OVERFLOW PROTECTION

ITEM	PART NO.	QTY.	DESCRIPTION
1	37098.0002	1	Tank, Squared (With Copper Overflow Cup)
	37098.1004	1	Tank, Squared (With Aluminum Overflow Cup)
	00970.0000	2	Nut, Keps #8-32
2	36226.0000	2	Bracket, Tank Mounting Upper
	00970.0000	4	Nut, Keps #8-32
3	02536.0000	2	Grommet, .375" I.D.
4	20936.1000	1	Probe Kit (Includes items indented below)
	20203.0100	1	Lockwasher, Internal Tooth #8
	01501.0000	1	Washer, Flat .164" ID x .375" OD
	00908.0000	1	Nut, #8-32
5	36741.1000	1	Tank Heater, 1700W 120V (Includes item 6)
	36741.1001	1	Tank Heater, 1320W 120V (Includes item 6)
	36740.1000	1	Tank Heater, 3500W 230V (Includes item 6)
	00908.0000	4	Nut, #8-32
6	12398.0000	1	Gasket, Tank Heater
7	36220.0000	1	Tube, Overflow
	00908.0000	3	Nut, #8-32
8	05515.0000	1	Gasket, Overflow Tube
9	35940.0002	1	Lid, Tank
	00908.0000	4	Nut, Hex #8-32
10	29329.1000	1	Thermostat, Limit
11	35937.0003	1	Gasket, Tank Lid
12	03803.0002	1	Switch Assy, Liquid Level (Includes items 13 & 14)
	00946.0000	1	Nut, Hex .125" FPT
13	03807.0000	1	Clip, Spring
14	03633.0000	1	Gasket, Float Switch
15	22728.0000	1	Overflow Cup (Copper)
	00970.0000	2	Nut, Keps #8-32
	41259.1003	1	Overflow Cup (Aluminum)
	41266.0000	1	Film
	41280.0001	1	Elbow
	04797.0000	1	Washer
16	12422.0001	2	Clamp, Hose .59"/.66" ID
17	28526.0028*	1	Tube, Silicone .312" ID x 9.5" (Order item 34)
18	21801.0015	1	Tube .375" O.D. x 1.50" LG
19	34392.0000	1	Plug, Hose .375" ID
20	11630.0001	1	Clamp, Shut Off

(Continued)

* Indicates the part number listed is for reference only. See DESCRIPTION for possible service replacement.

(Continued)



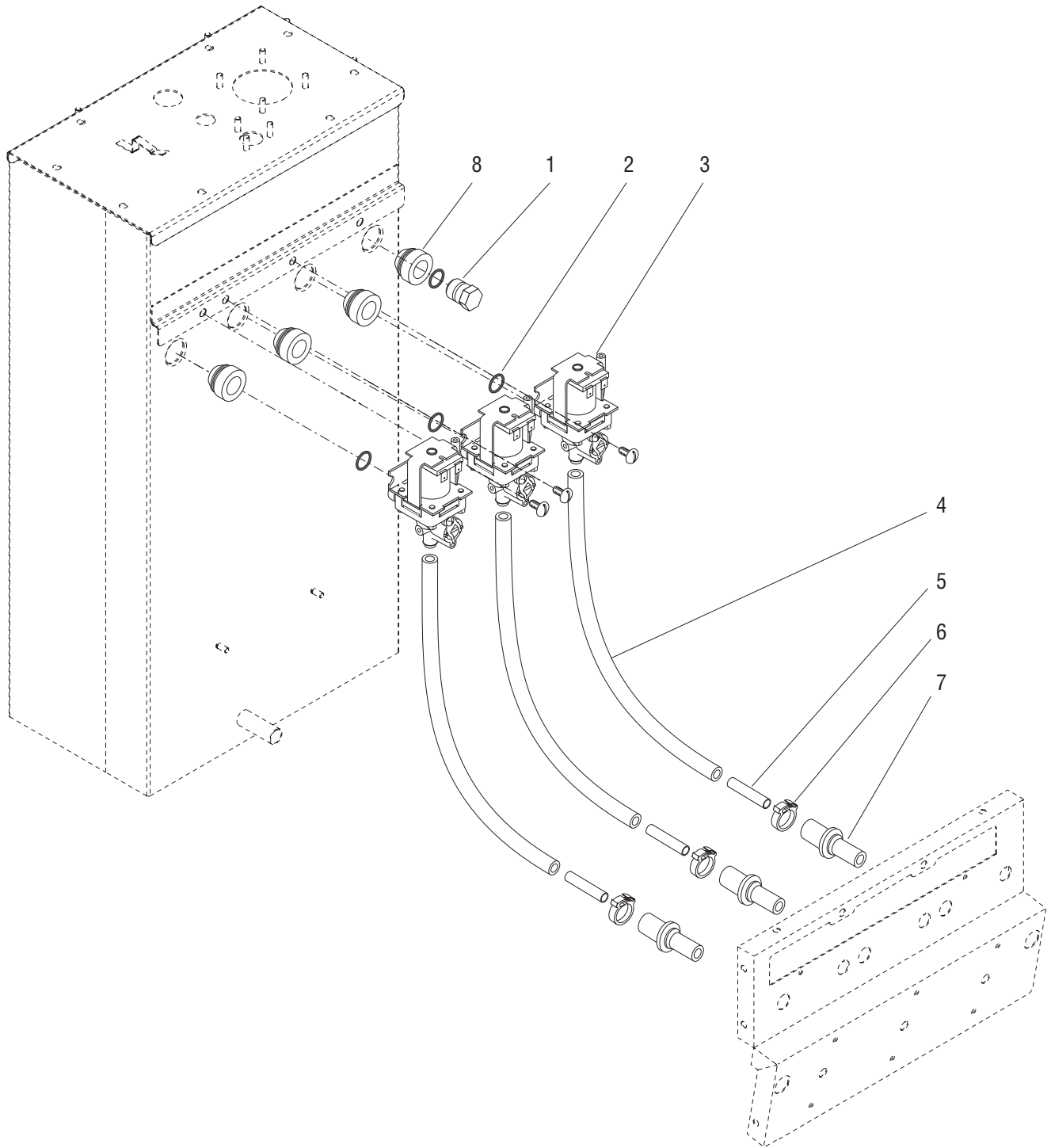
TANK, HEATER AND OVERFLOW PROTECTION

ITEM	PART NO.	QTY.	DESCRIPTION
21	12422.0005	4	Clamp, Hose .62"/.71" ID
22	20976.0056*	1	Tube, Silicone .375" ID x 28.0" (Order item 35)
23	37297.0006	1	Elbow, .25" Flare x .75" FTHRD
24	38948.0000	1	Tee, .50" Barb
25	20976.0017*	1	Tube, Silicone .375" ID x 2.0" (Order item 35)
26	20976.0055*	1	Tube, Silicone .375" ID x 9.0" (Order item 35)
27	36233.1000	1	Valve, Water Inlet 120V
	36233.0001	1	Valve, Water Inlet 230V
	32283.0000	2	Screw, Pan Head M4 x 6MM
28	01592.0001	1	Bushing, Snap 1.18" Dia. Hole
29	35942.0001*	1	Bracket, Tank Mounting Lower
	00970.0000	4	Nut, Keps #8-32
30	33801.0003	1	Grommet
31	28891.1008	1	Probe, Temperature/Dry Plug
32	36378.0001	1	Valve, Check 2.5 psi
33	36222.0001	1	Insulation, Tank
34	28526.1000	-	Tube, Silicone .312" ID x .562" OD x 12"
	28526.1001	-	Tube, Silicone .312" ID x .562" OD x 36"
	28526.1002	-	Tube, Silicone .312" ID x .562" OD x 60"
	28526.1003	-	Tube, Silicone .312" ID x .562" OD x 120"
35	20976.1000	-	Tube, Silicone, .375" ID x .50" OD x 12.0"
	20976.1001	-	Tube, Silicone, .375" ID x .50" OD x 36.0"
	20976.1002	-	Tube, Silicone, .375" ID x .50" OD x 120.0"
36	35946.0002	1	Baffle
37	34572.0000	2	Panel, Baffle Insert
	34765.0000	4	Nut, Flanged #10-32
38	43644.0000	-	Kit, Valve Rebuild

] See item 38

] Not Illustrated

* Indicates the part number listed is for reference only. See DESCRIPTION for possible service replacement.

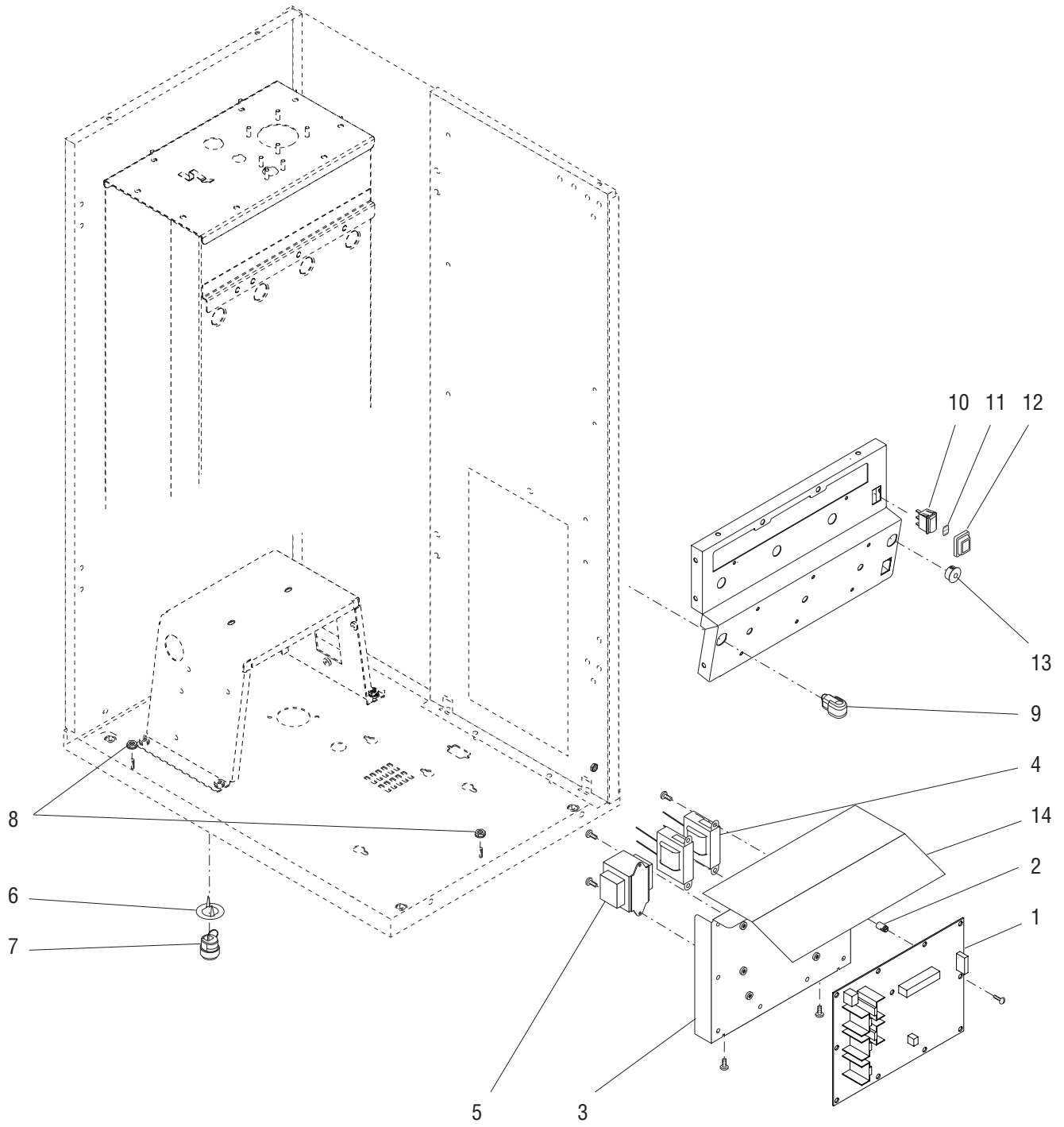


DISPENSE VALVES AND LINES

ITEM	PART NO.	QTY.	DESCRIPTION
1	26369.1000	1	Plug (Includes item 2)
2	24733.0011	4	O-Ring
3	39285.1001	3	Valve, Liquid Dispense 120V (Includes item 2)
	39285.1002	3	Valve, Liquid Dispense 230V (Includes item 2)
	01326.0000	3	Screw, Truss Head #10-32 x .25"
4	28526.0027*	3	Tube, Silicone .312" ID x 16.5" (Order item 9)
5	21801.0015	3	Tube, .375" OD x 1.50"
6	12422.0001	3	Clamp, Hose .59"/.66" ID
7	25803.0000	3	Water Inlet, Mixing Chamber
8	37970.0000	4	Grommet
9	28526.1001	-	Tube, Silicone .312" I.D. x .438" O.D. x 36"
	28526.1002	-	Tube, Silicone .312" I.D. x .438" O.D. x 60"
	28526.1003	-	Tube, Silicone .312" I.D. x .438" O.D. x 120"
10	45964.1000	-	Repair Kit, Dispense Valve)Includes Spring, Plunger, and Diaphragm)

} Not
Illustrated

* Indicates the part number listed is for reference only. See DESCRIPTION for possible service replacement.



ELECTRICAL CONTROLS

ITEM	PART NO.	QTY.	DESCRIPTION
1	40280.1000	1	Control Board Assy, Main
	01382.0008	11	Screw, Truss Head #6-32 x 1.0"
2	29081.0004	11	Spacer
3	38853.0000	1	Bracket, Component Mounting
	01311.0001	2	Screw, Truss Head Locking #8-32 x .25"
4	28327.0002	2	Ballast, 120V-60HZ W/Terminals
	39642.0000	2	Ballast, 230V-50HZ W/Terminals
	01382.0000	4	Screw, Truss Head #6-32 x .38"
5	34829.0001	1	Transformer Assy, 120V to 24V
	01382.0000	2	Screw, Truss Head #6-32 x .38"
6	00715.0000	1	Adapter Washer, Strain Relief 120V
7	00713.0000	1	Bushing, Strain Relief 120V
8	00970.0000	2	Nut, Ground Keps #8-32
9	26444.0000	2	Bushing, Strain Relief
10	27437.0001	1	Switch, Normal/Program/Rinse (Rocker Type Switch
	28857.0000	1	Switch, Run/Rinse (Toggle Type Switch
11	37192.0000	1	Decal, Normal/Program/Rinse Switch (Rocker Type Switch
	26523.0000	1	Decal, Rinse/Run Switch (Toggle Type Switch
12	34390.0000	1	Cap, Switch
13	00669.0005	1	Plug
14	46640.0000	1	Drip Shield

The following items are not illustrated

15	20630.0008	1	Cord Assembly, Power 120V
16	38940.0006	1	Wiring Harness, Main 120V (Doors with Flourescent Lighting)
	38940.0026	1	Wiring Harness, Main 120V (Doors with LED Lighting)
	38940.0008	1	Wiring Harness, Main 230V (Doors with Flourescent Lighting)
	01511.0000	1	Lockwasher, External-tooth #8
	00908.0000	1	Nut, Hex #8-32 (Grounding)
17	38941.0001	1	Wiring Harness, Door Switch
18	38942.0001	1	Wiring Harness, Auger Motor
19	47555.0000	2	Strain Relief (Doors with LED Lighting)
20	46293.0001	1	Wiring Harness, Transformer (Doors with LED Lighting)

* Indicates the part number listed is for reference only. See DESCRIPTION for possible service replacement.

NUMERICAL INDEX

PART NO.	PAGE NO.	PART NO.	PAGE NO.	PART NO.	PAGE NO.	PART NO.	PAGE NO.
00619.0002.....	7	20976.1000.....	23	29081.0005.....	11,15	36667.1001.....	9
00656.0001.....	7	20976.1001.....	23	29329.1000.....	21	36667.1003.....	9
00669.0004.....	9,13	20976.1002.....	23	32283.0000.....	23	36669.0000.....	11
00669.0005.....	5,27	21436.0000.....	7	32337.0000.....	17	36734.0001.....	9,13
00707.0001.....	15	21801.0015.....	21,25	32386.0001.....	17	36740.1000.....	21
00713.0000.....	27	22728.0000.....	21	32806.0000.....	9,13	36741.1000.....	21
00715.0000.....	27	24457.0002.....	9	32807.0001.....	9,13	36741.1001.....	21
00824.0002.....	7	24733.0010.....	19	32863.1000.....	9,13	36743.0000.....	7
00908.0000.....	21,27	24733.0011.....	25	32906.0001.....	19	36743.0001.....	5
00946.0000.....	21	25732.0000.....	19	33111.1001.....	13	36770.0000.....	17
00970.0000.....	21,23,27	25733.0003.....	19	33801.0003.....	23	36773.0000.....	17
00986.0000.....	7	25734.0005.....	19	34362.0000.....	9	36774.0000.....	17
00991.0002.....	17	25734.1000.....	19	34390.0000.....	27	36887.0003.....	11,15
01308.0000.....	5,7,9	25736.0000.....	19	34392.0000.....	21	36888.0000.....	11
01308.0002.....	11,15	25743.0000.....	17	34572.0000.....	23	36888.0002.....	15
01311.0000.....	11,13,17	25803.0000.....	25	34666.0000.....	5	36896.0000.....	7
01311.0001.....	5,7,9,11,13,19,27	25902.0000.....	19	34667.0000.....	11	36958.0001.....	5
01311.0003.....	5,7	25903.0000.....	17	34765.0000.....	23	36958.0002.....	5
01326.0000.....	25	26356.0000.....	19	34829.0001.....	27	36959.0001.....	5
01326.0002.....	17	26356.1000.....	19	34998.0000.....	5	36959.0002.....	5
01360.0002.....	9,11,13,15	26369.1000.....	25	35260.0000.....	15,17	36961.0002.....	7
01382.0000.....	11,27	26401.0000.....	17	35912.0001.....	5	36961.1001.....	7
01382.0002.....	5	26444.0000.....	11,27	35912.0002.....	5	36963.0000.....	7
01382.0008.....	27	26523.0000.....	27	35912.0012.....	5	36965.0000.....	5
01403.0000.....	11	26528.0000.....	7	35912.0014.....	5	36965.0003.....	5
01501.0000.....	21	26537.0000.....	11,15	35926.0000.....	5	36965.0005.....	5
01509.0001.....	5	26537.0001.....	11,15	35937.0003.....	21	36967.0003.....	5
01511.0000.....	27	26537.0003.....	11,15	35940.0002.....	21	36967.0005.....	5
01526.0001.....	7	26537.0039.....	11,15	35942.0001.....	23	36968.0001.....	5
01592.0001.....	23	26940.0002.....	17	35946.0002.....	23	36970.0000.....	17
02336.0000.....	5,7,9,13	27437.0001.....	27	36149.0000.....	9	36972.0001.....	7
02367.0002.....	11,15	28067.0000.....	17	36220.0000.....	21	36974.0001.....	7
02434.0005.....	15	28095.0000.....	9,13	36222.0001.....	23	36978.0000.....	5
02434.0008.....	7	28295.0000.....	19	36226.0000.....	21	36978.0001.....	5
02434.1000.....	7,15	28295.0001.....	19	36229.0001.....	7	36983.0000.....	7
02434.1001.....	7,15	28296.0002.....	9,13	36229.0002.....	7	36984.0000.....	7
02536.0000.....	7,21	28297.0001.....	19	36229.0003.....	7	36985.0000.....	7
03633.0000.....	21	28327.0002.....	27	36230.0001.....	5	36986.0000.....	5
03803.0002.....	21	28328.0011.....	7	36230.0002.....	5	37010.1001.....	17
03807.0000.....	21	28335.0000.....	11,13	36230.0003.....	5	37011.0001.....	17
03996.0000.....	7	28428.1000.....	19	36231.0000.....	9,13	37013.0000.....	9
04797.0000.....	21	28428.1002.....	19	36233.1000.....	23	37013.0000.....	13
05515.0000.....	21	28526.0027.....	25	36233.0001.....	23	37037.0001.....	17
11630.0001.....	21	28526.0028.....	21	36244.0000.....	9,13	37096.0001.....	9
12398.0000.....	21	28526.1000.....	23	36378.0001.....	23	37096.1005.....	13
12422.0001.....	21,25	28526.1001.....	23,25	36398.0000.....	7	37098.0002.....	21
12422.0005.....	23	28526.1002.....	23,25	36644.0000.....	5	37098.1004.....	21
13255.0003.....	7	28526.1003.....	23,25	36647.0000.....	9	37192.0000.....	27
20203.0100.....	21	28857.0000.....	27	36647.0001.....	9	37254.0003.....	9,13
20630.0008.....	27	28864.0000.....	19	36653.0001.....	17	37297.0006.....	23
20936.1000.....	21	28865.0000.....	19	36658.0000.....	9	37456.0000.....	9,13
20960.0000.....	17	28866.0000.....	19	36659.0001.....	11	37456.0001.....	9,13
20976.0017.....	23	28867.0000.....	19	36659.0003.....	11,13	37457.0000.....	9,13
20976.0055.....	23	28891.1008.....	23	36661.0000.....	9	37457.0006.....	9,13
20976.0056.....	23	29081.0004.....	27	36661.0001.....	9	37462.0000.....	7

NUMERICAL INDEX

PART NO.	PAGE NO.	PART NO.	PAGE NO.	PART NO.	PAGE NO.	PART NO.	PAGE NO.
37466.0003.....	9,13						
37498.1000.....	7						
37539.1000.....	17						
37881.0000.....	7						
37970.0000.....	25						
37988.0000.....	5						
38832.1000.....	9,13						
38853.0000.....	27						
38935.0000.....	5						
38940.0006.....	27						
38940.0008.....	27						
38940.0026.....	27						
38941.0001.....	27						
38942.0001.....	27						
38948.0000.....	23						
38986.0000.....	7						
38986.0001.....	7						
38986.0013.....	7						
39038.0000.....	11						
39060.0000.....	9,13						
39285.1001.....	25						
39285.1002.....	25						
39442.0000.....	17						
39642.0000.....	27						
40031.1000.....	11						
40031.1001.....	11						
40032.0000.....	11,13						
40280.1000.....	27						
41244.0000.....	11,15						
41259.1003.....	21						
41266.0000.....	21						
41280.0001.....	21						
41564.0000.....	13						
41577.0001.....	5						
41660.0000.....	5						
41921.0000.....	13						
41923.0000.....	13						
42593.0000.....	11,15						
43514.0001.....	13						
43644.0000.....	23						
44095.0000.....	13						
44224.0000.....	5,7,13						
45964.1000.....	25						
46278.0001.....	11,15						
46293.0001.....	27						
46640.0000.....	27						
47311.0001.....	11,15						
47555.0000.....	27						
48005.0001.....	11,15						