

BUNN®

JDF-2 ***S/N 0005473 & UP***



DISCONTINUED VERSION
Parts listed in this catalog
may no longer be available.



ILLUSTRATED PARTS CATALOG

Designs, materials, weights, specifications, and dimensions for equipment or replacement parts are subject to change without notice.

BUNN-O-MATIC CORPORATION

POST OFFICE BOX 3227

SPRINGFIELD, ILLINOIS 62708-3227

PHONE: (217) 529-6601 FAX: (217) 529-6644

BUNN-O-MATIC COMMERCIAL PRODUCT WARRANTY

Bunn-O-Matic Corp. ("BUNN") warrants equipment manufactured by it as follows:

- 1) All equipment other than as specified below: 2 years parts and 1 year labor.
- 2) Electronic circuit and/or control boards: parts and labor for 3 years.
- 3) Compressors on refrigeration equipment: 5 years parts and 1 year labor.
- 4) Grinding burrs on coffee grinding equipment to grind coffee to meet original factory screen sieve analysis: parts and labor for 3 years or 30,000 pounds of coffee, whichever comes first.

These warranty periods run from the date of installation BUNN warrants that the equipment manufactured by it will be commercially free of defects in material and workmanship existing at the time of manufacture and appearing within the applicable warranty period. This warranty does not apply to any equipment, component or part that was not manufactured by BUNN or that, in BUNN's judgment, has been affected by misuse, neglect, alteration, improper installation or operation, improper maintenance or repair, damage or casualty. This warranty is conditioned on the Buyer 1) giving BUNN prompt notice of any claim to be made under this warranty by telephone at (217) 529-6601 or by writing to Post Office Box 3227, Springfield, Illinois 62708-3227; 2) if requested by BUNN, shipping the defective equipment prepaid to an authorized BUNN service location; and 3) receiving prior authorization from BUNN that the defective equipment is under warranty.

THE FOREGOING WARRANTY IS EXCLUSIVE AND IS IN LIEU OF ANY OTHER WARRANTY, WRITTEN OR ORAL, EXPRESS OR IMPLIED, INCLUDING, BUT NOT LIMITED TO, ANY IMPLIED WARRANTY OF EITHER MERCHANTABILITY OR FITNESS FOR A PARTICULAR PURPOSE. The agents, dealers or employees of BUNN are not authorized to make modifications to this warranty or to make additional warranties that are binding on BUNN. Accordingly, statements by such individuals, whether oral or written, do not constitute warranties and should not be relied upon.

If BUNN determines in its sole discretion that the equipment does not conform to the warranty, BUNN, at its exclusive option while the equipment is under warranty, shall either 1) provide at no charge replacement parts and/or labor (during the applicable parts and labor warranty periods specified above) to repair the defective components, provided that this repair is done by a BUNN Authorized Service Representative; or 2) shall replace the equipment or refund the purchase price for the equipment.

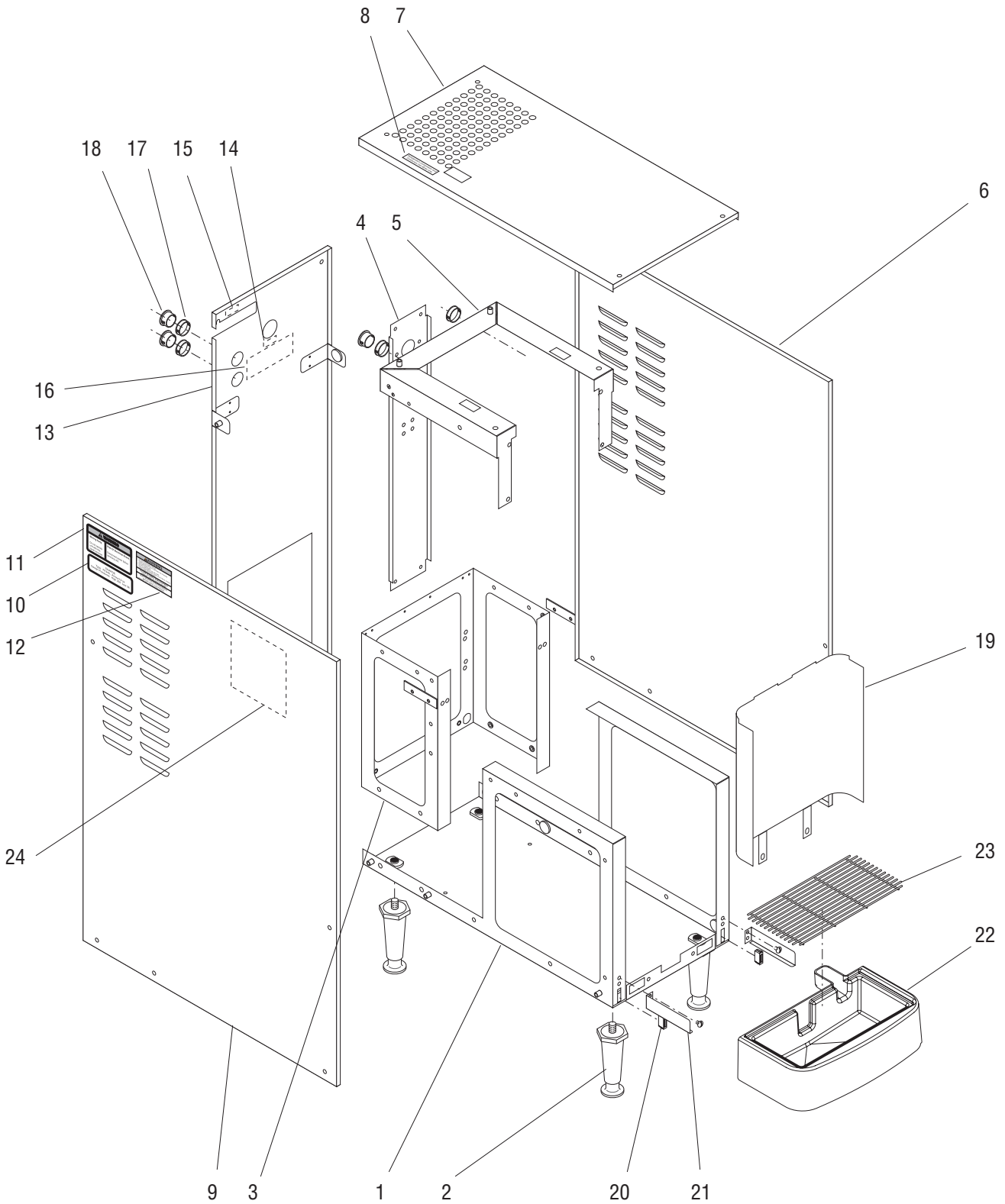
THE BUYER'S REMEDY AGAINST BUNN FOR THE BREACH OF ANY OBLIGATION ARISING OUT OF THE SALE OF THIS EQUIPMENT, WHETHER DERIVED FROM WARRANTY OR OTHERWISE, SHALL BE LIMITED, AT BUNN'S SOLE OPTION AS SPECIFIED HEREIN, TO REPAIR, REPLACEMENT OR REFUND.

In no event shall BUNN be liable for any other damage or loss, including, but not limited to, lost profits, lost sales, loss of use of equipment, claims of Buyer's customers, cost of capital, cost of down time, cost of substitute equipment, facilities or services, or any other special, incidental or consequential damages.

BrewWISE, BUNN Gourmet Ice, BUNN Pour-O-Matic, BUNN, Bunn-OMatic, Bunn-O-Matic, BUNNlink, BUNNserve, BUNN Espresso, DBC, Dr. Brew, Dual, EasyClear, EasyGard, Easy Pour, FlavorGard, Gourmet Ice, Gourmet Juice, High Intensity, IMIX, Infusion Series, Legendary for Quality, The Mark of Quality in Beverage Equipment Worldwide, My Café, Power-Logic, Safety-Fresh, Scale-Pro, Single, Smart Funnel, Smart Hopper, Soft Heat, SplashGard, System III, ThermoFresh, 392, AXIOM, Beverage Profit Calculator, Beverage Bar Creator, BrewLOGIC, BrewMETER, BrewWIZARD, BUNNSERVE, BUNNsource, Coffee At Its Best, Cool Froth, Digital Brewer Control, Intellisteam, Nothing Brews Like a BUNN, Pouring Profits, Pulse Wave, Quality Beverage Equipment Worldwide, Signature Series, Silver Series, Smart Heat, SmartWAVE, Tea At Its Best, The Horizontal Red Line, Titan, Ultra, are either trademarks or registered trademarks of Bunn-O-Matic Corporation.

TABLE OF CONTENTS

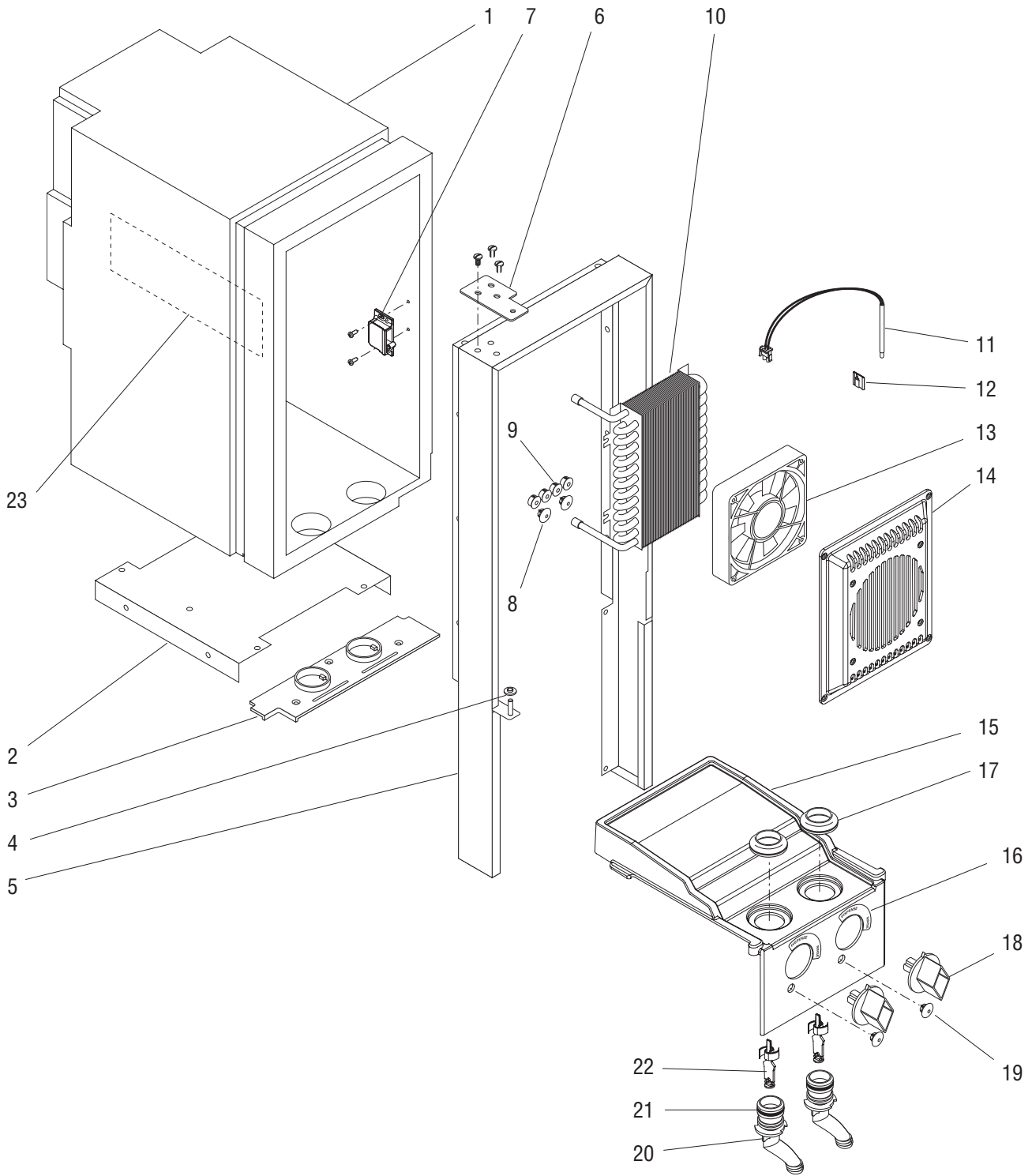
Main Frame & Covers.....	4
Upper Cabinet & Panels.....	6
Refrigeration Components.....	8
Compressor Components.....	10
Fan Assembly	12
Water Tank Assy.....	14
Circulation Pump & Lines.....	18
Product Coil & Lines	20
Dispense Platform Assy	22
Dispense Valve Assy.....	24
Plain Water Manifold (Early Models)	26
Plain Water Manifold (Late Models)	28
Rinse Water Manifold & Solenoid (Early Models).....	30
Rinse Water Manifold & Solenoid (Late Models).....	34
Pump Assy	38
Bottle Adapter Assy	40
Door Assy.....	42
Electrical Components.....	46
Refillable Container Assy.....	50
Numerical Index	52



MAIN FRAME & COVERS

ITEM	PART NO.	QTY.	DESCRIPTION
1	34409.0000	1	Base Frame Assy
2	26528.0000	4	Leg
	03996.0000	4	Pad, Non-skid
3	34410.0000	1	Frame, Refridgeration
	-----	4	Screw #10-32 x
4	39428.0000*	2	Bracket, Rear support (Late models with Water Inlet Valve)
	34797.0000*	2	Bracket, Rear support (Early models prior to Water Inlet Valve)
	02332.0001	8	Screw, Crimptite #6 x .25"
5	38469.0001*	1	Bracket, Upper Frame
6	36192.1000	1	Panel w/Decals, Right (Includes item 11)
	02332.0001	3	Screw, Crimptite #6 x .25"
7	34786.1000	1	Panel w/Decals, Top (Includes item 8)
	02332.0001	4	Screw, Crimptite #6 x .25"
8	33458.0000	1	Decal, Refridgeration ON - OFF
9	36191.1000	1	Panel w/Decals, Left (Includes items 10, 11, 12 & 24)
	02332.0001	3	Screw, Crimptite #6 x .25"
10	33461.0001	1	Decal, Refridgerant Charge
11	27442.0000	2	Decal, Warning - Moving Parts
12	00986.0002	1	Decal, Warning - Electrical
13	39561.0001	1	Panel, Rear
	02332.0001	4	Screw, Crimptite #6 x .25"
14	33645.0000	1	Decal, Main Water Connection
15	33646.0000	1	Decal, Rinse Water Connection (Early Models)
16	00656.0000	1	Decal, Comply To Plumbing Code
17	27354.0000	4	Bushing
18	00668.0000	3	Plug
19	35998.0001	1	Panel, Splash
	01317.0003	2	Screw, Truss Head, Locking #8-32 x .38"
20	21436.0000	2	Catch, Magnetic
21	33538.0000*	1	Bracket, Right
	33539.0000*	1	Bracket, Left
	01311.0001	4	Screw, Truss Head, Locking #8-32 x .25"
22	38765.1000	1	Drip Tray Assy (Includes strike plate and item 23)
23	26801.0000	1	Grate, Drip Tray
24	35277.0000	1	Schematic, Electrical

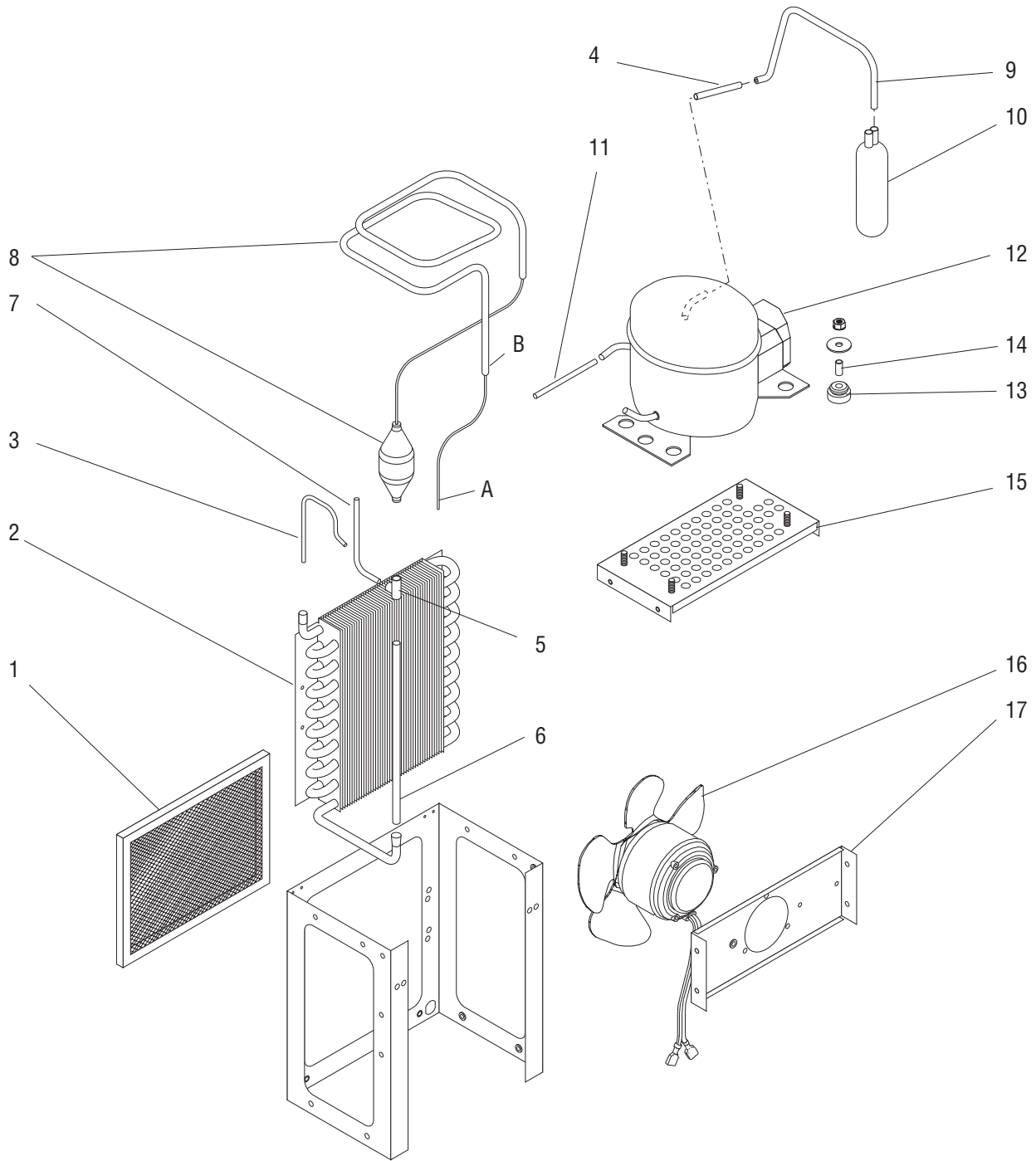
* Indicates the part number listed is for reference only. See DESCRIPTION for possible service replacement.



UPPER CABINET & PANELS

ITEM	PART NO.	QTY.	DESCRIPTION
1	35478.0000*	1	Cabinet (Not serviced)
	24544.0000	10	Screw, Pan Head #8-18
2	34738.0000	1	Plate, Cabinet Mounting
	01311.0001	4	Screw, Truss Head #8-32 x .25" Lkg.
3	34784.0000	1	Plate, Bottom Closure
	01359.0000	3	Screw, Flat Head #8-32 x .38"
4	34362.0000	1	Bushing, Lower Hinge
5	34790.0000	1	Wrap
	01311.0001	4	Screw, Truss Head #8-32 x .25" Lkg.
6	34785.0000*	1	Bracket, Hinge
	01327.0000	3	Screw, Pan Head #10 -32 x .38"
7	34666.0001	1	Catch, Door Latch
	01382.0000	2	Screw, Truss Head #6 x .375"
8	27394.0000	2	Plug
9	00669.0002	4	Plug
10	34419.0000	1	Coil, Water
	24544.0000	4	Screw, Pan Head #8-18
11	27246.0000	1	Sensor Assy, Temperature
12	33669.0000	1	Clip, Adhesive Back
13	33297.0000	1	Fan Assy.
	03290.0000	1	Cable Tie
	38616.0000	4	Screw, Pan Head #8-18
14	34421.0000*	1	Cover, Fan
	24544.0000	4	Screw, Hex Head w/Washer #10-24
15	34422.1000	1	Shelf, Product (Includes items 16 & 17)
16	33459.0003	2	Decal, Dispense/Rinse
17	32461.0000	2	Gasket, Drip
18	32455.0000	2	Knob
19	27394.0000	2	Plug
20	35930.0000	2	Nozzle
21	32848.0000	2	O-ring
22	35108.1000	2	Mixer, Spiral
23	38519.0000	1	Decal, Dispense Ratio
24	M2568.1000	-	Grease, USDA H-1 (Use when assembling items 21 & 22)

* Indicates the part number listed is for reference only. See DESCRIPTION for possible service replacement.



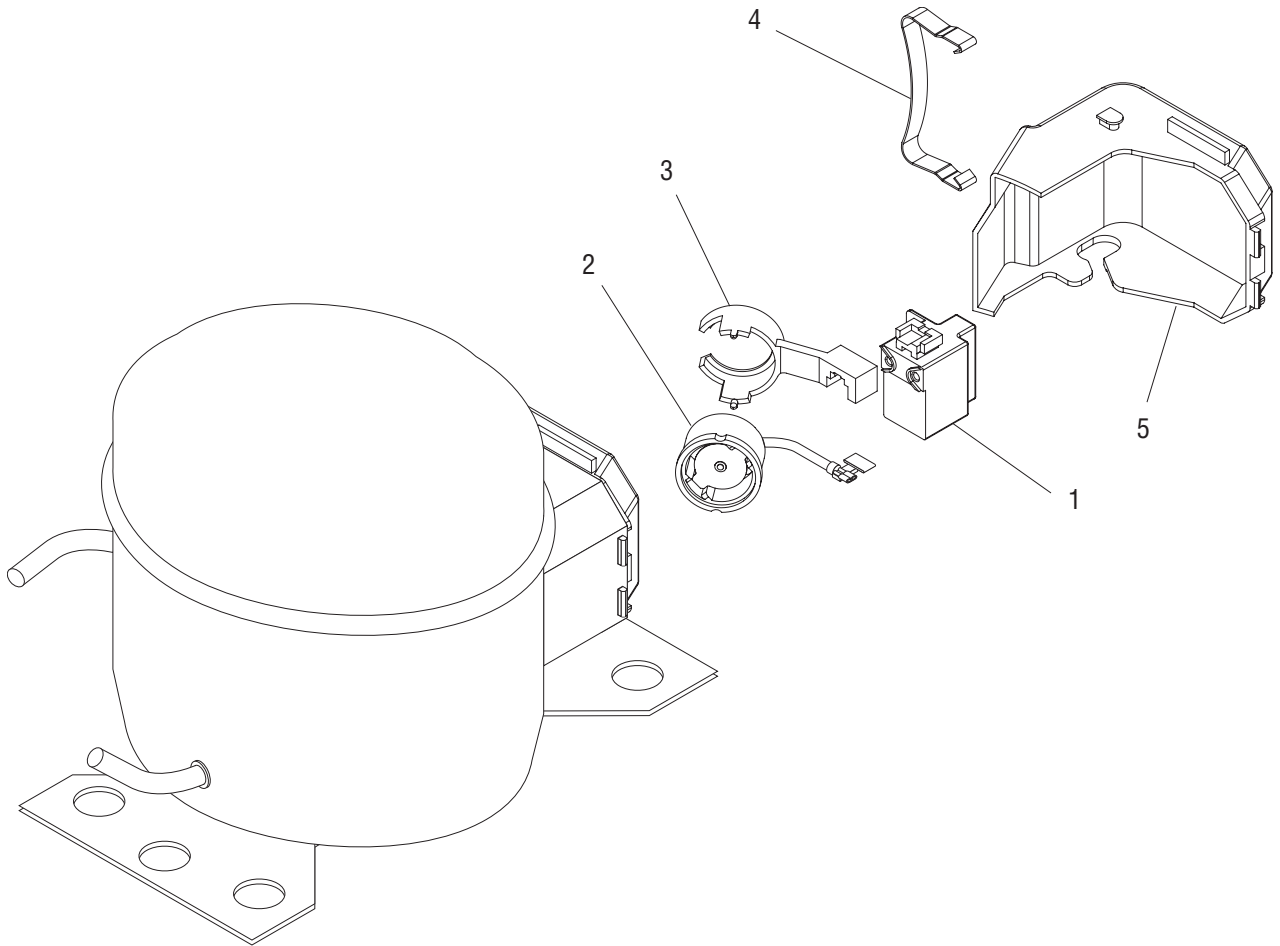
P2703

NOTE: Letters appearing within this illustration correspond to matching connections in other illustrations.

REFRIGERATION COMPONENTS

ITEM	PART NO.	QTY.	DESCRIPTION
1	35164.1000	1	Air Filter
2	29951.0001	1	Condenser
	02335.0001	4	Screw, Crimpite #8 x .38"
3	35180.0001	1	Tube (Requires brazing to install) (Not serviced)
4	35386.0001	1	Tube (Requires brazing to install) (Not serviced)
5	00396.0002	1	Tee (Requires brazing to install) (Not serviced)
6	35385.0001	1	Tube (Requires brazing to install) (Not serviced)
7	35580.0001	1	Tube (Requires brazing to install) (Not serviced)
8	35175.1000	1	Filter Dryer Assy (Requires brazing to install)
9	35179.0001	1	Tube (Requires brazing to install) (Not serviced)
10	32776.0000	1	Accumulator
11	35581.0001	1	Tube (Requires brazing to install) (Not serviced)
12	-----	1	Compressor (See COMPRESSOR COMPONENTS)
	34529.0000*	4	Washer
	00901.0000	4	Nut .25"-20
13	-----	4	Grommet
14	-----	4	Sleeve
			} Order item 18
15	33536.0000	1	Platform
	01317.0003	4	Screw, Truss Head, Locking #8-32 x .38"
16	-----	1	Fan Assy (See FAN ASSEMBLY)
	27243.0000	3	Screw #8-36 x .437"
17	34418.0000*	1	Bracket
	01317.0003	4	Screw, Truss Head, Locking #8-32 x .38"
18	28567.0000	1	Mounting Kit (Includes four each of items 13 & 14)
19	M2332.1000	-	Insulation, Tube 25/50 - 1.6"ID x .50" wall x 6.0 Ft (Use as required)
20	M2336.1000	-	Insulation, Tube 25/50 - 0.25"ID x .19" wall x 6.0 Ft (Use as required)

* Indicates the part number listed is for reference only. See DESCRIPTION for possible service replacement.

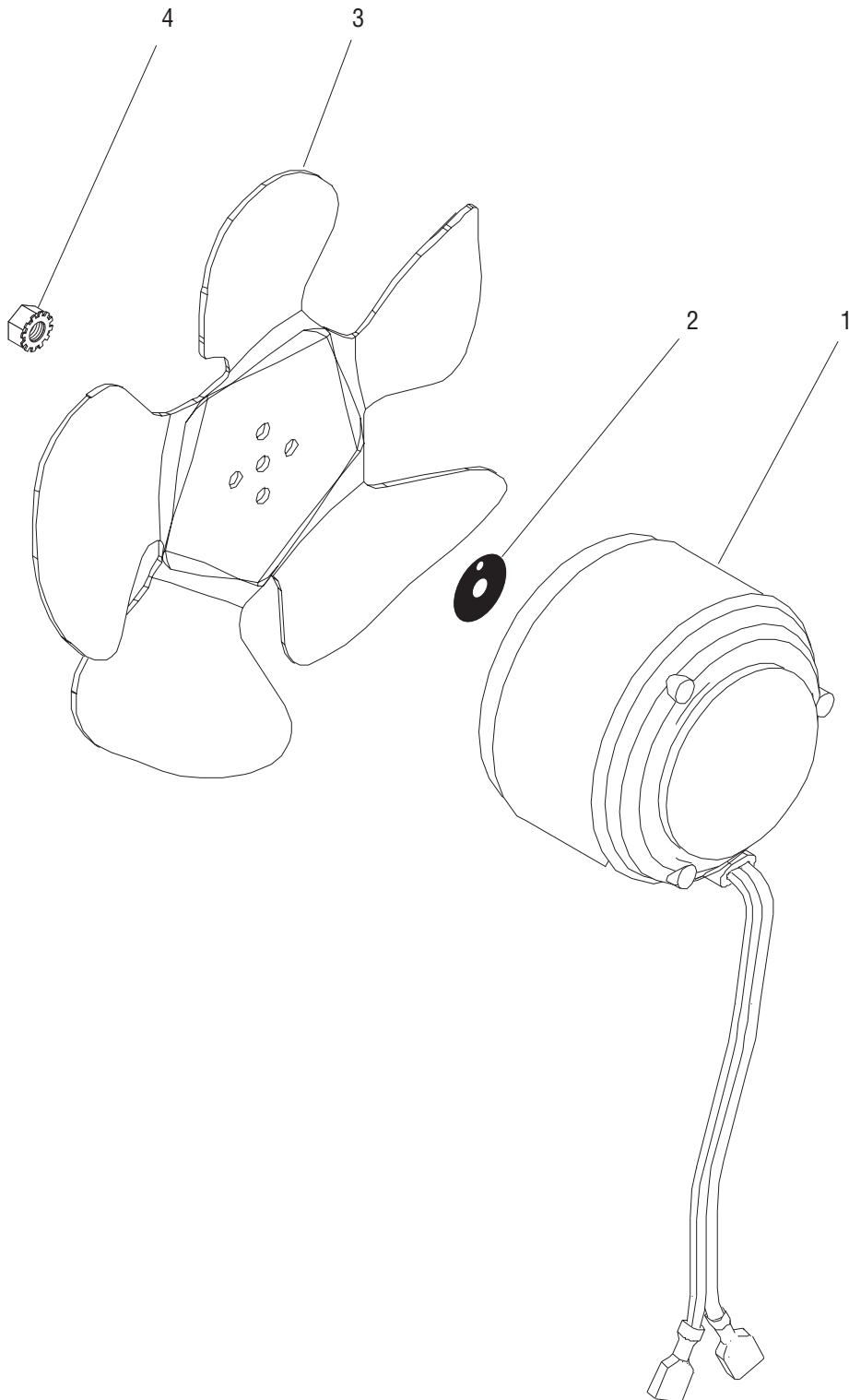


P3804.35

COMPRESSOR COMPONENTS

ITEM	PART NO.	QTY.	DESCRIPTION
-	38231.1000	1	Compressor 120V (Includes items 1 - 5)
	33522.1001	1	Compressor 230V (Includes items 1 - 5)
1	38897.0000	1	Relay, Compressor 120V
	38897.0001	1	Relay, Compressor 230V
2	38917.0000	1	Overload Protector
3	38916.0000	1	Retainer
4	38918.0000	1	Clip
5	38896.0000	1	Cover

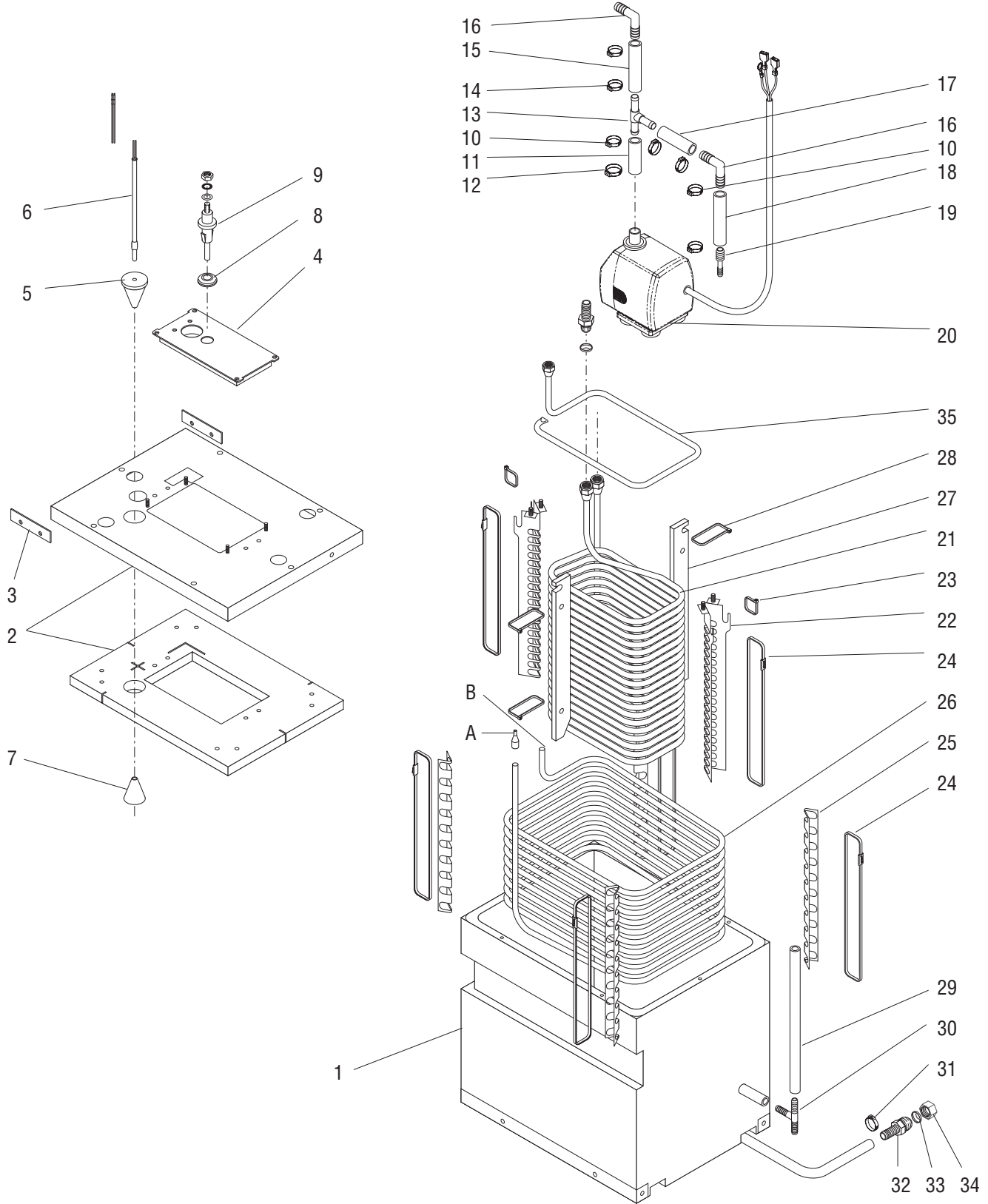
* Indicates the part number listed is for reference only. See DESCRIPTION for possible service replacement.



FAN ASSEMBLY

ITEM	PART NO.	QTY.	DESCRIPTION
-	32204.1001	1	Fan Assy 120V (Includes items 1-4)
	32204.1002	1	Fan Assy 230V (Includes items 1-4)
1	33603.0000	1	Motor Assy 120V
	33603.0001	1	Motor Assy 230V
2	33602.0000	1	Blade, Fan
3	27258.0000	1	Silencer
4	23700.0000	1	Nut .25"-20

* Indicates the part number listed is for reference only. See DESCRIPTION for possible service replacement.



NOTE: Letters appearing within this illustration correspond to matching connections in other illustrations.

P3510

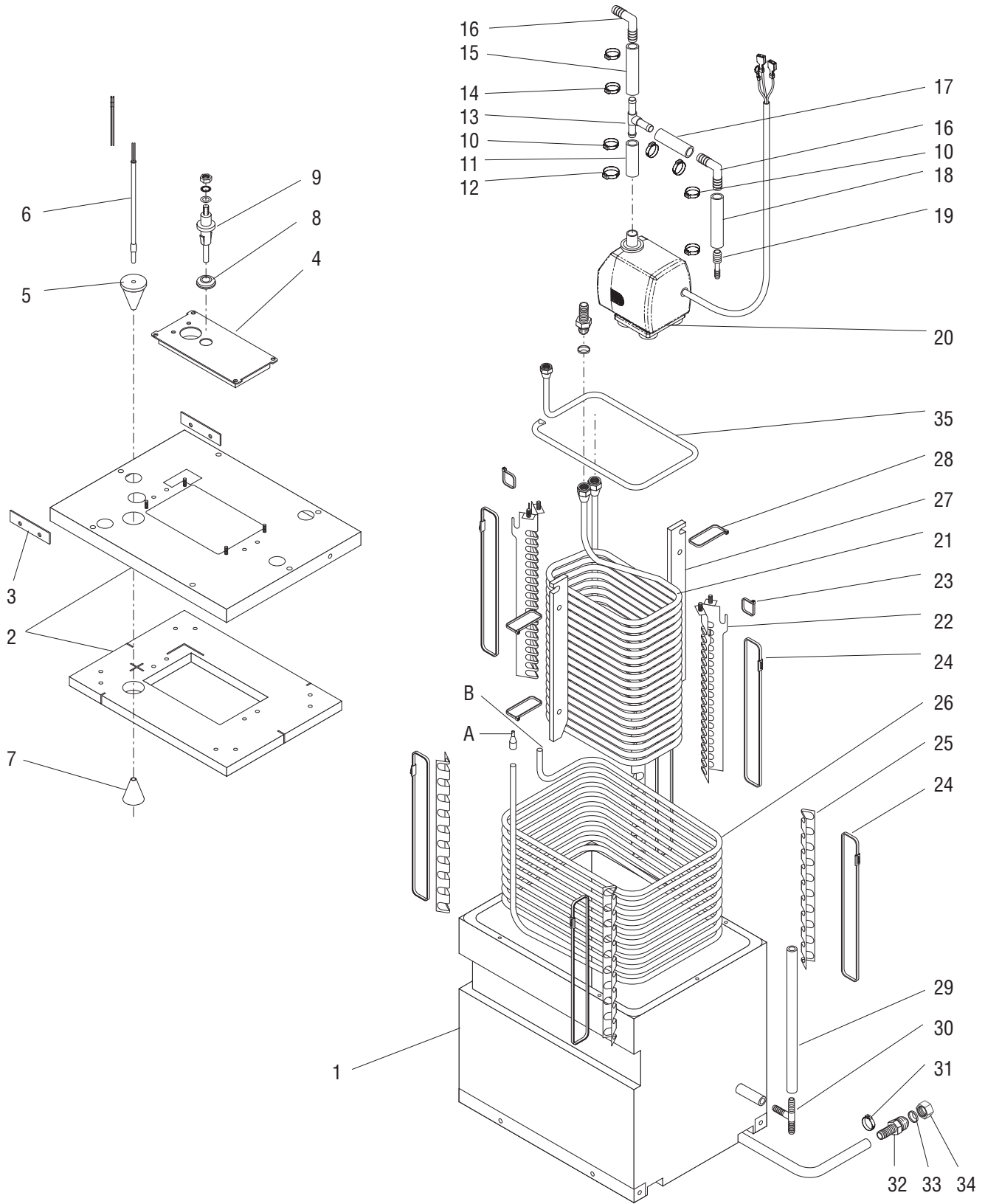
WATER TANK ASSY

ITEM	PART NO.	QTY.	DESCRIPTION
1	35165.0000	1	Tank Assy
	-----	4	Screw
2	35272.1001	1	Lid Assy
	24544.0000	6	Screw, Pan Head #8-18
3	35526.0000*	2	Bracket
	02332.0001	2	Screw, Crimptite #6 x .25"
	01317.0003	2	Screw, Truss Head, Locking #8-32 x .38"
4	34403.1001	1	Panel Assy
	00973.0000	4	Nut, Keps #6-32
5	33801.0000	1	Grommet
6	29327.0000	1	Probe, Temperature & Dry Plug
7	33801.0002	1	Grommet
7	02536.0000	1	Grommet
9	02645.1000	1	Probe, Liquid Level
	01522.0000	1	Washer
	20203.0100	1	Lockwasher, Internal-tooth #8
	00908.0000	1	Nut #8-32
10	21275.0004	3	Clamp .54" - .64"
11	20976.0062*	1	Tube, Silicone .38" ID x 1.75" (Order item 35)
12	21275.0005	1	Clamp .62" - .73" 120V
	21275.0009	1	Clamp .65" - .78" 230V
13	35077.0000	1	Tee .38" Sngl. Barb
14	21275.0003	4	Clamp .57" - .70"
15	34325.0003*	1	Hose, Flex .38" ID x .625" OD x 3.0" (Order item 36)
16	33623.0000	2	Elbow .38" Barb
17	34325.0006*	1	Hose, Flex .38" ID x .625" OD x 2.25" (Order item 36)
18	20976.0016*	1	Tube, Silicone .38" ID x 2.75" (Order item 35)
19	33068.0000	1	Fitting .38" Barb x .25" Barb
20	37809.1000	1	Pump Assy 120V (Includes items 11 - 19)
	37265.0000	1	Pump Assy 230V
21	35132.0000*	1	Product Coil
22	34416.0000	2	Spacer
	00973.0000	4	Nut, Keps #6-32
23	03290.0000	2	Cable Tie
24	32734.0001	6	Cable Tie, 28.0"

(Continued)

* Indicates the part number listed is for reference only. See DESCRIPTION for possible service replacement.

(Continued)



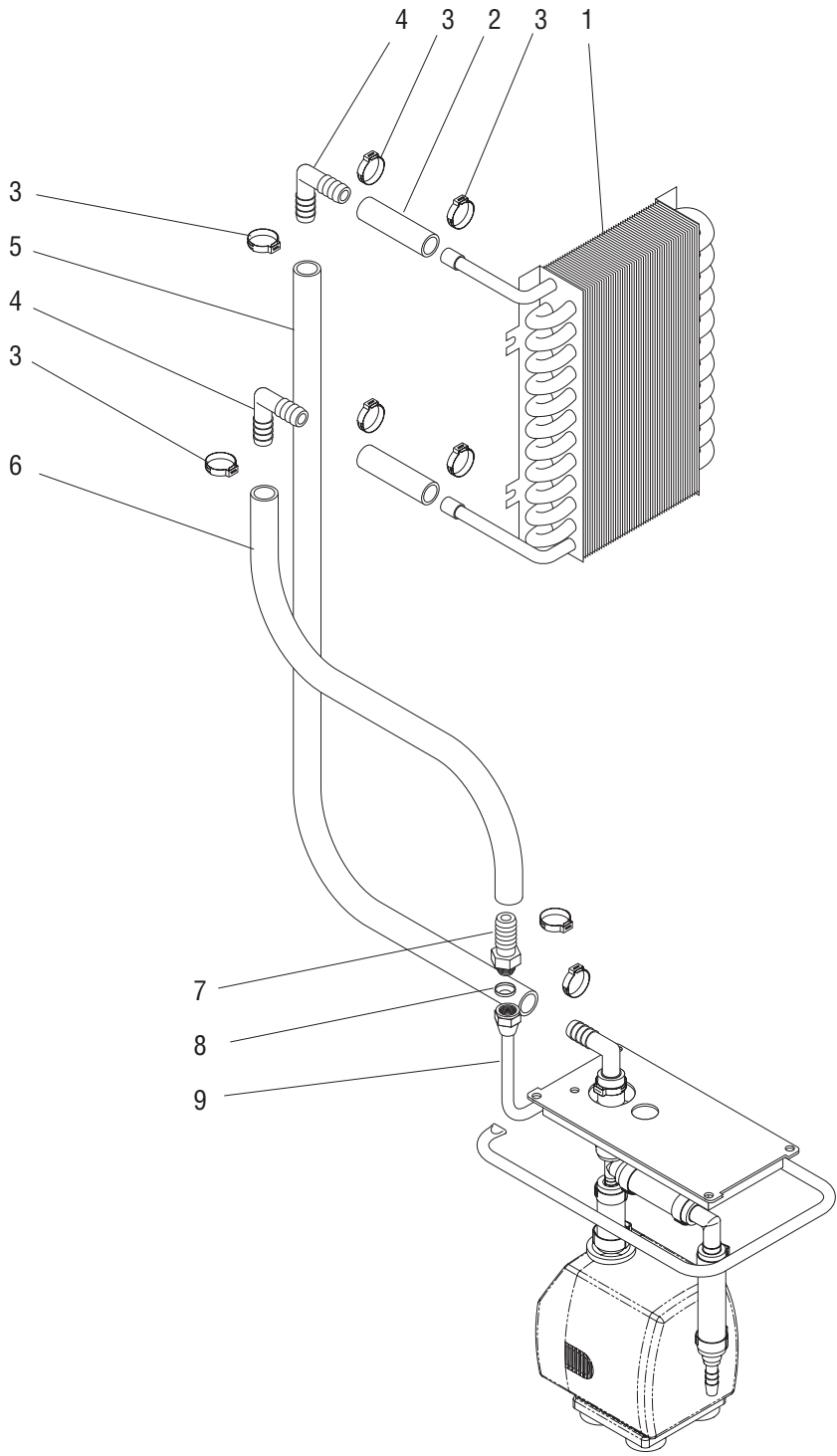
NOTE: Letters appearing within this illustration correspond to matching connections in other illustrations.

P3510

WATER TANK ASSY

ITEM	PART NO.	QTY.	DESCRIPTION
25	33533.0000*	4	Spacer
26	33519.0000*	1	Evaporator Coil
27	36448.0000	2	Spacer
28	03290.0000	2	Cable Tie
29	33670.0004*	1	Tube, Clear .25" x 8.0" (Not serviced)
30	38605.0000	1	Tee
31	21275.0006	1	Clamp .40" - .50"
32	35174.0000	1	Fitting
33	33149.0000	1	Gasket
34	00976.0000	1	Cap
35	35106.0000	1	Manifold, Return Water
36	20976.1000	1	Tube, Silicone .38" ID x 12.0" (Cut to required length)
	20976.1001	1	Tube, Silicone .38" ID x 36.0" (Cut to required length)
	20976.1002	1	Tube, Silicone .38" ID x 120.0" (Cut to required length)
37	34325.1000	1	Hose, Flex .38" ID x .625" OD x 12.0" (Cut to required length)
	34325.1001	1	Hose, Flex .38" ID x .625" OD x 36.0" (Cut to required length)
	34325.1002	1	Hose, Flex .38" ID x .625" OD x 120.0" (Cut to required length)

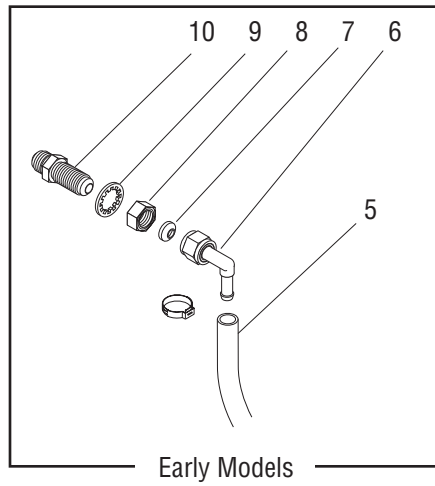
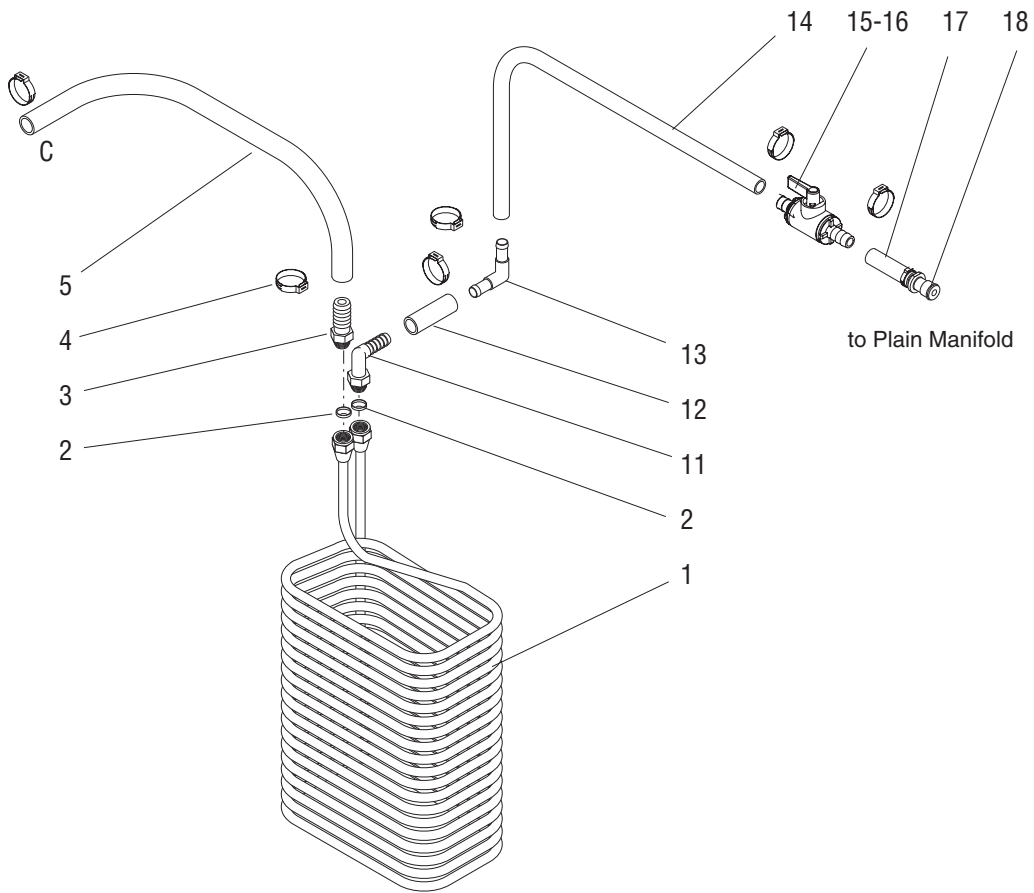
* Indicates the part number listed is for reference only. See DESCRIPTION for possible service replacement.



CIRCULATION PUMP & LINES

ITEM	PART NO.	QTY.	DESCRIPTION
1	-----	1	Coil, Upper Cabinet (See UPPER CABINET & PANELS)
2	34325.0004*	2	Tube, Silicone .38" ID x 1.5" (Order item 10)
3	21275.0003	8	Clamp .57" - .70"
4	37850.0000	2	Elbow .38" Barb
5	34325.0010*	1	Tube, Silicone .38" ID x 17.0" (Order item 10)
6	34325.0021*	1	Tube, Silicone .38" ID x 8.0" (Order item 10)
7	35173.0001	1	Fitting .312" FI x .375" Barb
8	35305.0000	1	Gasket
9	-----	1	Manifold, Return Water (See WATER TANK ASSEMBLY)
10	34325.1000	-	Tube, Silicone .38" ID x 12.0" (Cut to required length)
	34325.1001	-	Tube, Silicone .38" ID x 36.0" (Cut to required length)
	34325.1002	-	Tube, Silicone .38" ID x 120.0" (Cut to required length)
11	M2337.1000	-	Tube Insulation (Cut to required length)

* Indicates the part number listed is for reference only. See DESCRIPTION for possible service replacement.



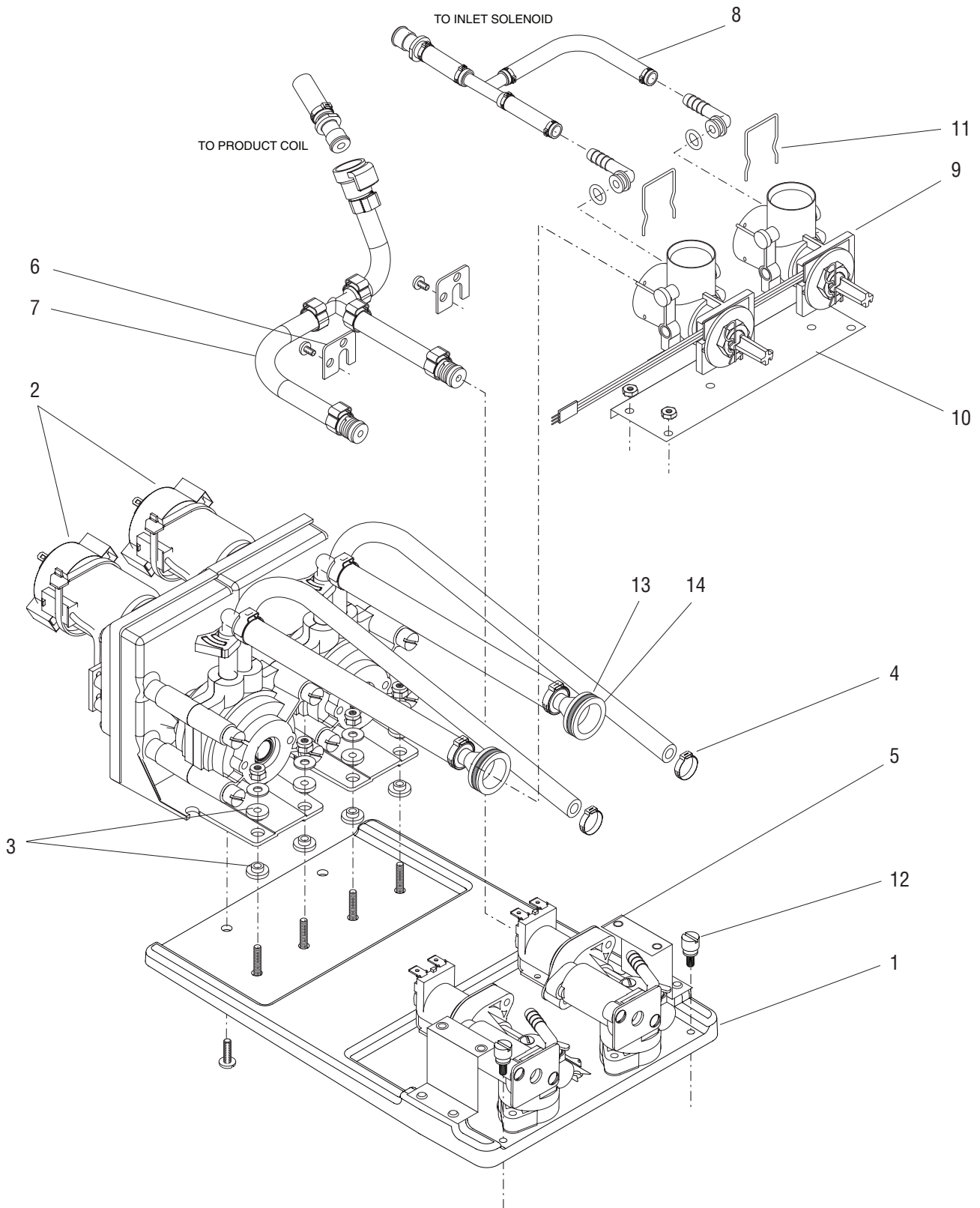
NOTE: Letters appearing within this illustration correspond to matching connections in other illustrations.

PRODUCT COIL & LINES

ITEM	PART NO.	QTY.	DESCRIPTION
1	-----	1	Product Coil (See WATER TANK ASSEMBLY)
2	35305.0000	2	Gasket
3	35173.0001	1	Fitting .312" FI x .375" Barb
4	21275.0003	8	Clamp .57" - .70"
5	34325.0010*	1	Hose, Flex .38" ID x 17.0" (Order item 19)(Early models prior to Water Inlet Valve)
	34325.0014*	1	Hose, Flex .38" ID x 15.0" (Order item 19)(Late models with Water Inlet Valve)
6	33151.0004	1	Fitting, Elbow .38" Barb
7	33149.0000	1	Gasket
8	12757.0000	1	Nut
9	01514.0000	1	Lockwasher
10	12756.0000	1	Fitting, Bulkhead
11	35172.0001	1	Fitting, Elbow .312" FI x .375" Barb
12	34325.0004*	1	Hose, Flex .38" ID x 1.5" (Order item 19)
13	37850.0000	1	Elbow .38" Barb
14	34325.0012*	1	Hose, Flex .38" ID x 10.5" (Order item 19)
15	35171.0000	1	Valve, Shut Off
16	34540.0000	1	Decal, Caution - Close
17	34325.0004*	1	Hose, Flex .38" ID x 1.5" (Order item 19)
18	34462.0000	1	Coupling, Quick Disconnect, Male
19	34325.1000	1	Hose, Flex .38" ID x 12.0" (Cut to required length)
	34325.1001	1	Hose, Flex .38" ID x 36.0" (Cut to required length)
	34325.1002	1	Hose, Flex .38" ID x 120.0" (Cut to required length)
20	M2337.1000	-	Insulation, Tube 25/50 - 0.5"ID x .19" wall x 6.0 Ft (Use as required)

} Early Models

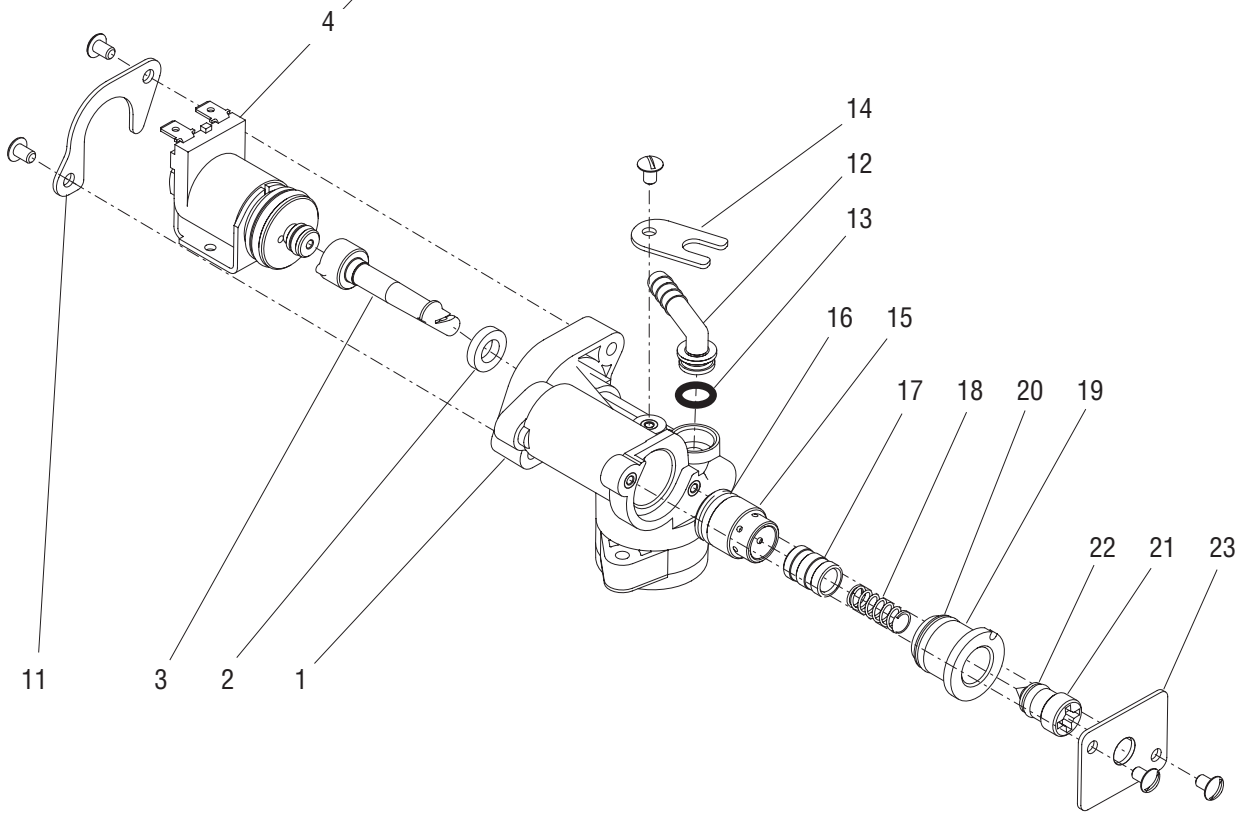
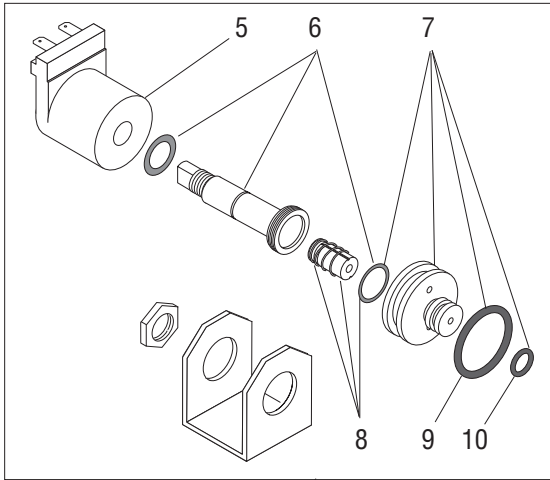
* Indicates the part number listed is for reference only. See DESCRIPTION for possible service replacement.



DISPENSE PLATFORM ASSEMBLY

ITEM	PART NO.	QTY.	DESCRIPTION
1	38116.1000	1	Platform Assy (Includes items 2 - 18)
2	-----	2	Pump Assy (See PUMP ASSY)
	01338.0000	2	Screw, Truss Head #8-32 x .625"
	01522.0000	4	Washer
	00991.0000	4	Nut, Elastic Lock #8-32
3	32957.0001	8	Bushing, Rubber
4	21275.0006	4	Clamp .40" - .50"
5	38018.1000	2	Dispense Valve (See DISPENSE VALVE)
	01308.0000	4	Screw, Truss Head #6-32 x 25"
6	37786.0001	2	Plate
	01308.0000	2	Screw, Truss Head #6-32 x 25"
7	-----	1	Manifold, Plain Water (See PLAIN WATER MANIFOLD)
8	-----	1	Manifold, Rinse Water (See RINSE WATER MANIFOLD)
9	32756.1000	2	Bottle Adapter (See BOTTLE ADAPTER)
	01308.0000	4	Screw, Truss Head #6-32 x 25"
10	38122.0000*	1	Plate
	01311.0001	4	Screw, Truss Head #8-32 x .25" Lkg.
11	32458.0000	2	Clip, Retainer
12	38104.0000	2	Thumbscrew
13	32454.0000	2	Fitting
14	34087.0000	2	O-ring
The following items are not illustrated			
15	35189.0000	1	Harness, Dispense Platform
16	35181.0001	1	Harness, Dispense Valve
17	-----	4	Cable Tie (Not serviced)
18	12422.0000	2	Clamp

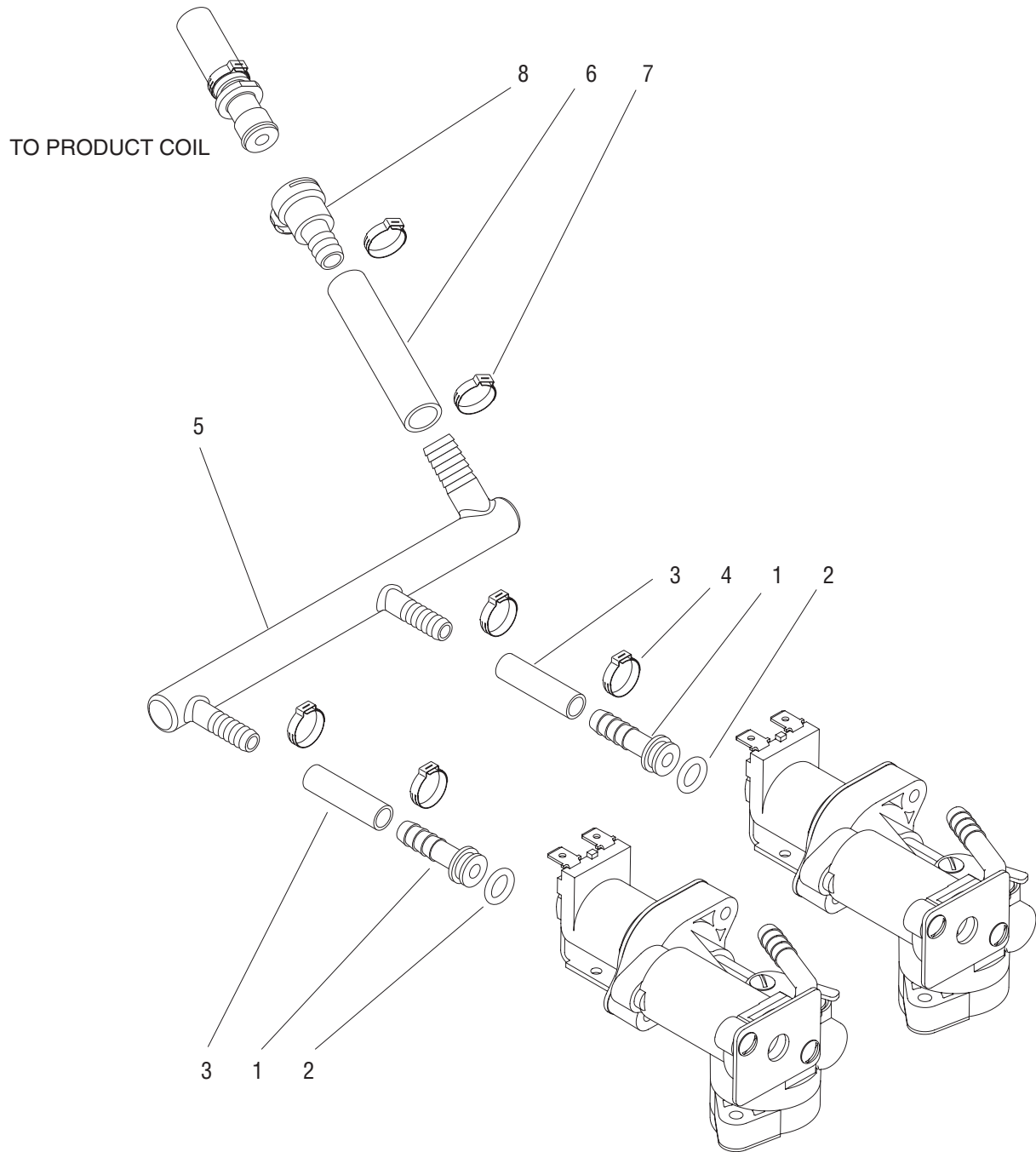
* Indicates the part number listed is for reference only. See DESCRIPTION for possible service replacement.



DISPENSE VALVE ASSEMBLY

ITEM	PART NO.	QTY.	DESCRIPTION
-	38018.1000	1	Dispense Valve Assy (Includes items 1 - 24)
1	37801.0001	1	Body
2	37990.0000	1	Seal
3	37843.0000	1	Nozzle, Water
4	32252.0000	1	Valve, Solenoid (Includes items 5 - 10)
5	33554.0000	1	Solenoid Valve Coil
6	28481.0000	1	Guide Kit (Includes Guide, Washer and O-ring)
7	33585.0000	1	Solenoid Valve Base Kit (Includes O-ring and items 6 & 7)
8	01111.0002	1	Solenoid Valve Repair Kit (Includes Plunger, Spring and O-ring)
9	33580.0000	1	O-ring
10	33553.0000	1	O-ring
11	37987.0000	1	Bracket
	01308.0000	2	Screw #6-32 x .25"
12	32463.0000	1	Fitting, Elbow
13	32849.0001	1	O-ring (Also use item 24)
14	37853.0000	1	Clamp
	01308.0000	1	Screw #6-32 x .25"
15	32603.0000	1	Sleeve
16	32852.0000	1	O-ring (Also use item 24)
17	32602.0000	1	Piston
18	32853.0001	1	Spring, Flow Control
19	32624.0000	1	Bonnet, Adjuster
20	33725.0000	1	O-ring (Also use item 24)
21	32623.0000	1	Adjuster, Position
22	32851.0000	1	O-ring (Also use item 24)
23	37977.0000	1	Bracket, Water Adjustment
	01308.0000	2	Screw #6-32 x .25"
24	M2568.1000	-	Grease, USDA H-1 (Use when assembling items 13,16,20 & 22)

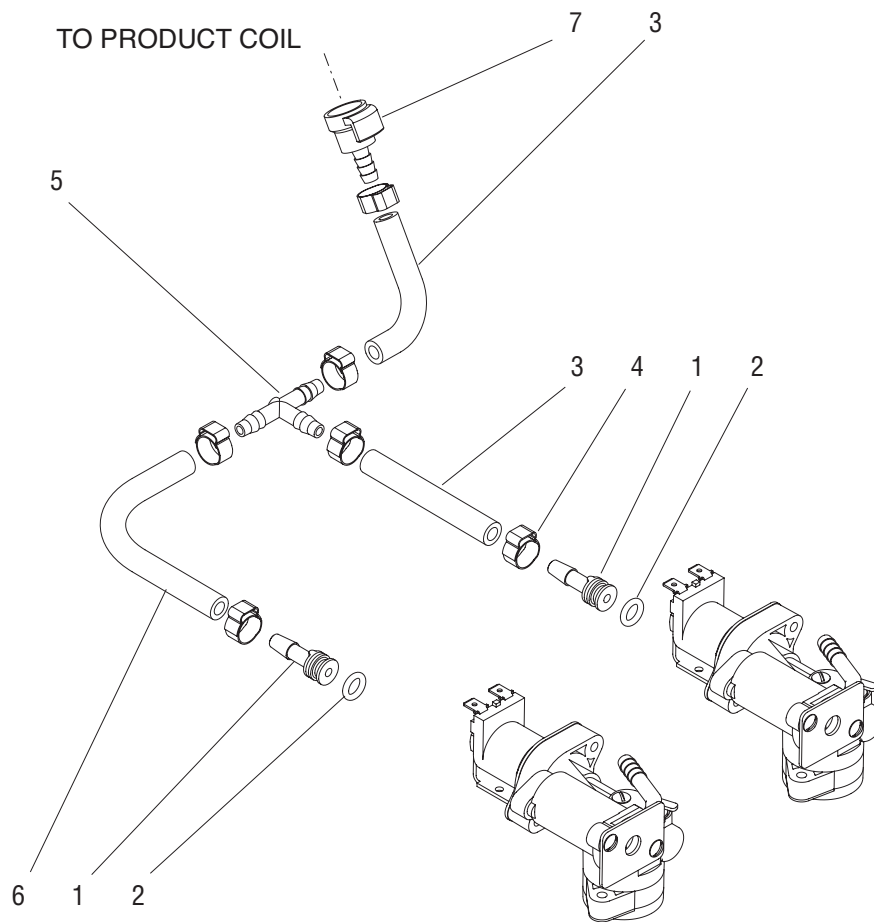
* Indicates the part number listed is for reference only. See DESCRIPTION for possible service replacement.



PLAIN WATER MANIFOLD (Early Models)

ITEM	PART NO.	QTY.	DESCRIPTION
1	32631.0000	2	Fitting, Straight
2	32849.0001	2	O-ring
3	38129.0005*	2	Hose, Braided .25" ID x 2.25" (Order item 12)
4	21275.0006	4	Clamp .40 - .50"
5	36204.0000*	1	Manifold, Plain SST
6	34325.0017*	1	Hose, Flex .38" ID x 1.25" (Order item 13)
7	21275.0003	2	Clamp .57 - .70"
8	34463.0000	1	Coupling, Quick Disconnect, Female
12	38129.1000	1	Hose, Braided .25" ID x 12.0" (Cut to required length)
	38129.1001	1	Hose, Braided .25" ID x 36.0" (Cut to required length)
	38129.1002	1	Hose, Braided .25" ID x 120.0" (Cut to required length)
13	34325.1000	1	Hose, Flex .38" ID x 12.0" (Cut to required length)
	34325.1001	1	Hose, Flex .38" ID x 36.0" (Cut to required length)
	34325.1002	1	Hose, Flex .38" ID x 120.0" (Cut to required length)

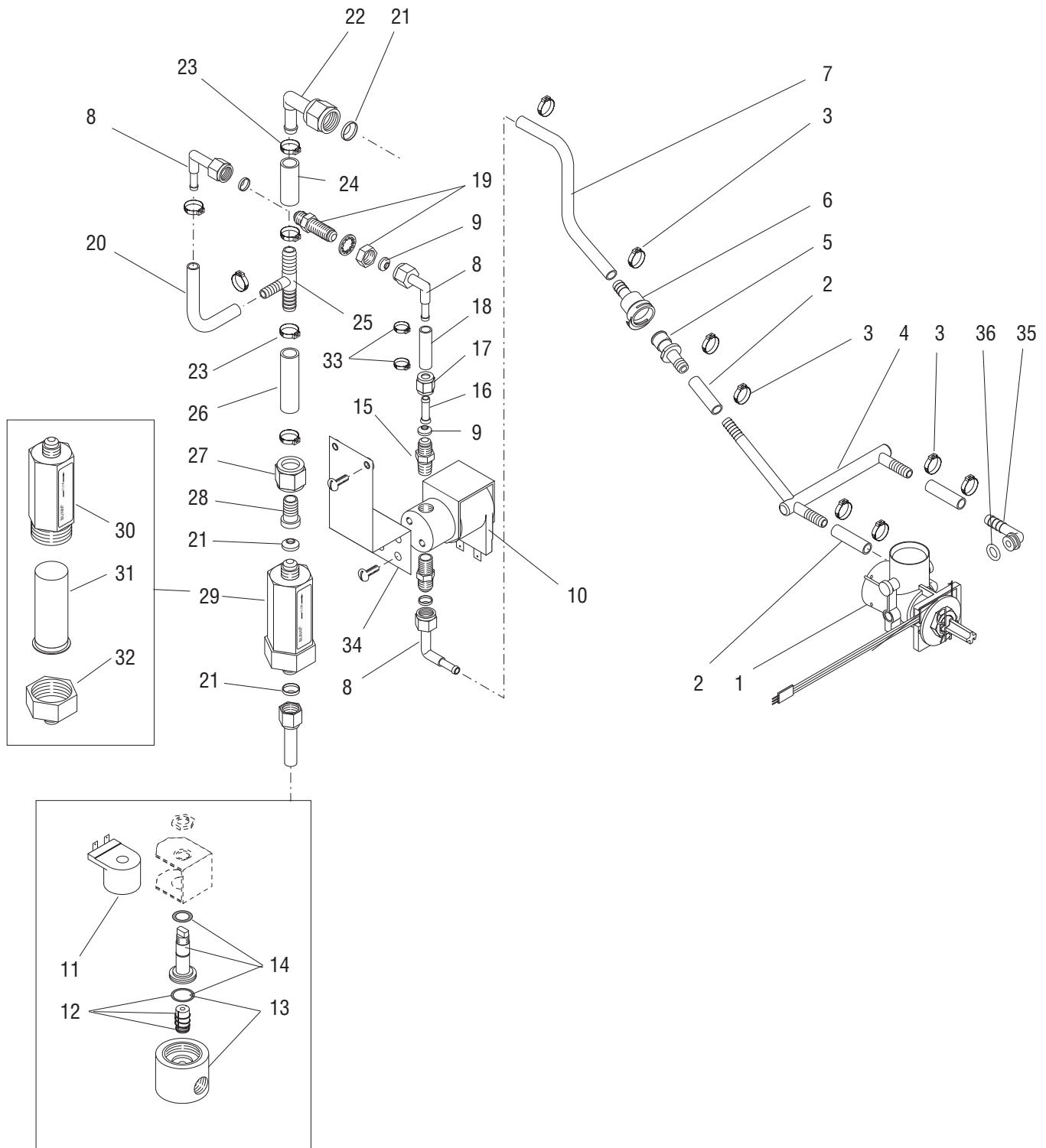
* Indicates the part number listed is for reference only. See DESCRIPTION for possible service replacement.



PLAIN WATER MANIFOLD (Late Models)

ITEM	PART NO.	QTY.	DESCRIPTION
1	32631.0000	2	Fitting, Straight
2	32849.0001	2	O-ring
3	38129.0012*	2	Hose, Braided .25" ID x 3.0" (Order item 8)
4	21275.0006	6	Clamp .40 - .50"
5	38605.0000	1	Tee .25" Barb
6	38129.0013*	1	Hose, Braided .25" ID x 5.25" (Order item 8)
7	34461.0000	1	Coupling, Quick Disconnect, Female
8	38129.1000	1	Hose, Braided .25" ID x 12.0" (Cut to required length)
	38129.1001	1	Hose, Braided .25" ID x 36.0" (Cut to required length)
	38129.1002	1	Hose, Braided .25" ID x 120.0" (Cut to required length)

* Indicates the part number listed is for reference only. See DESCRIPTION for possible service replacement.



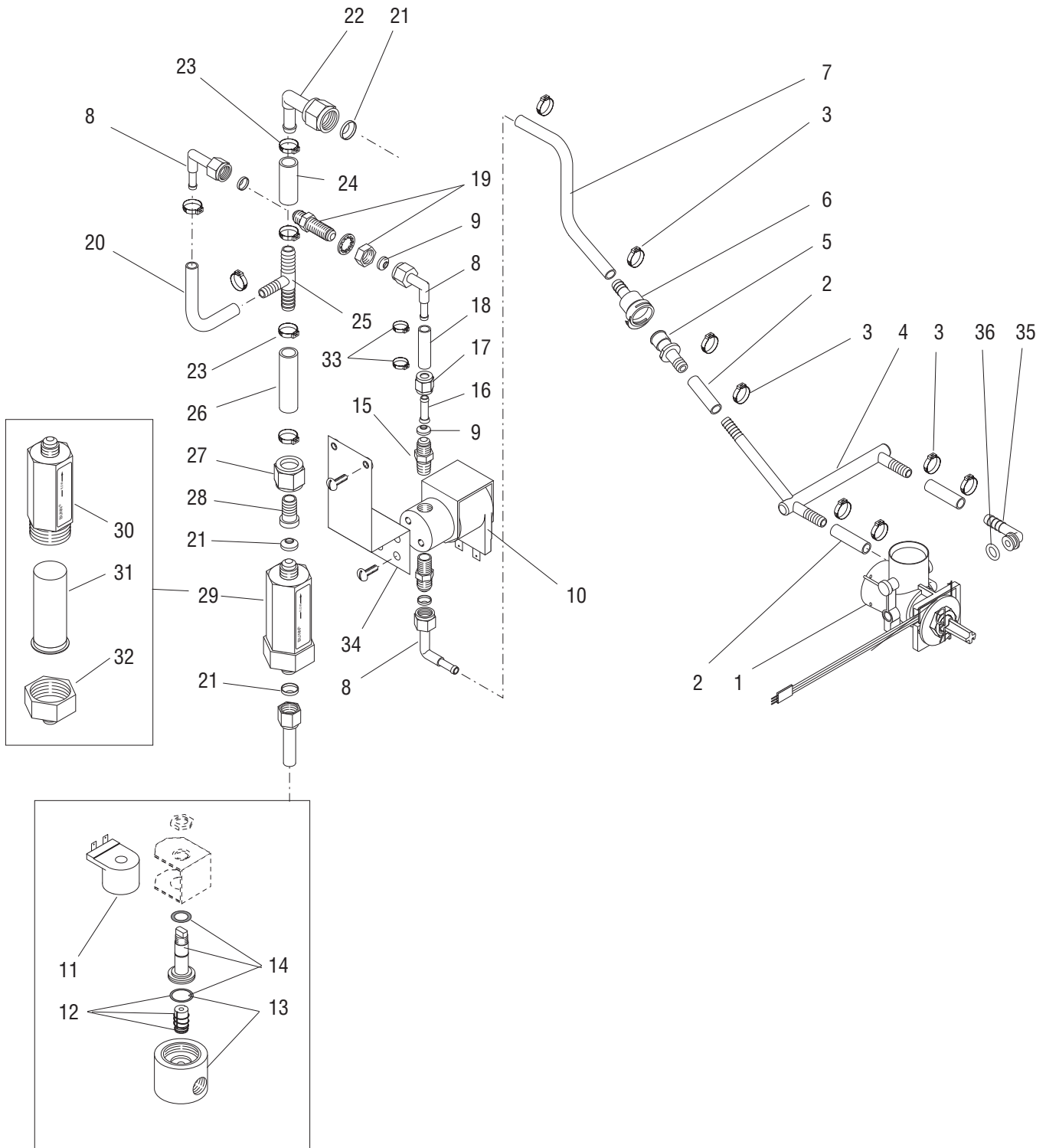
RINSE WATER MANIFOLD & SOLENOID (Early Models)

ITEM	PART NO.	QTY.	DESCRIPTION
1	32756.1000	2	Bottle adapter (See BOTTLE ADAPTER)
2	38129.0001*	3	Hose, Braided .25" ID x .44" OD x 1.50" (Order item 37)
3	21275.0006	16	Clamp .40" - .50"
4	36203.0000*	1	Manifold. Rinse SST
5	34460.0000	1	Fitting, Quick Disconnect, Male
6	34461.0000	1	Fitting, Quick Disconnect, Female
7	32745.0021*	1	Hose .25" ID x .44" OD x 15.75" (Order item 38)
8	33151.0005	3	Fitting, Elbow .25" Barb
9	33149.0001	4	Gasket
10	01085.0002	1	Solenoid Valve 120V (Includes items 11 - 14)
	28005.0000	1	Solenoid Valve 230V (Includes items 11- 13)
	01327.0000	2	Screw, Pan Head #10-32 x .38" 120V
	02308.0000	2	Screw, Pan Head #8-32 x .38" 230V
11	28480.0000	1	Coil, Solenoid 120V
	28020.0000	1	Coil, Solenoid 230V
12	01111.0002	1	Solenoid Repair Kit (Includes Plunger, Spring and O-ring)
13	28479.0000	1	Solenoid Base Kit 120V (Includes O-ring)
	28021.0000	1	Core Assy Kit 230V
14	28481.0000	1	Guide Kit
15	00402.0001	2	Connector
16	00425.0001	1	Nipple
17	00425.0002	1	Nut
18	38129.0001*	1	Hose, Braided .25" ID x .44" OD x 1.50" (Order item 37)
19	00459.0000	1	Fitting, Bulkhead
	01532.0000	1	Lockwasher, Internal-tooth .438"
	00463.0000	1	Nut, Hex .375"-20
20	38129.0009*	1	Hose, Braided .25" ID x .44" OD x 4.25" (Order item 37)
21	33149.0000	3	Gasket
22	33151.0004	1	Fitting, Elbow .38" Barb
23	21275.0003	4	Clamp .57" - .70"
24	34325.0004*	1	Hose, Flex .38" ID x .595" OD x 1.5" (Order item 39)
25	32749.0001	1	Tee .38" Barb x .38" Barb x .25" Barb

(Continued)

* Indicates the part number listed is for reference only. See DESCRIPTION for possible service replacement.

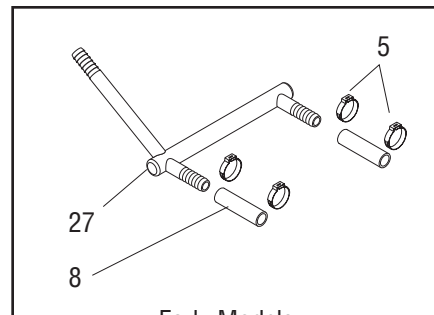
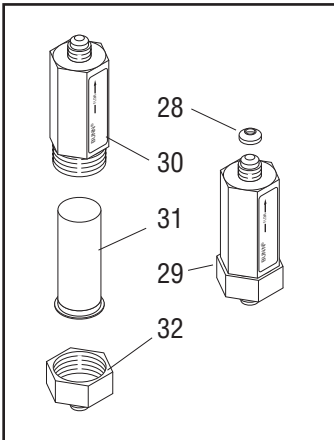
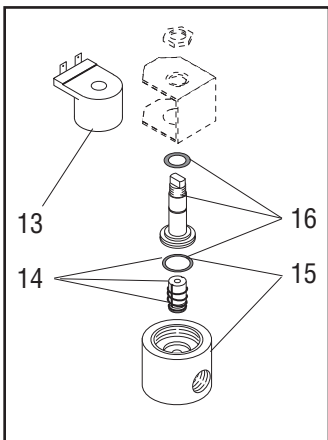
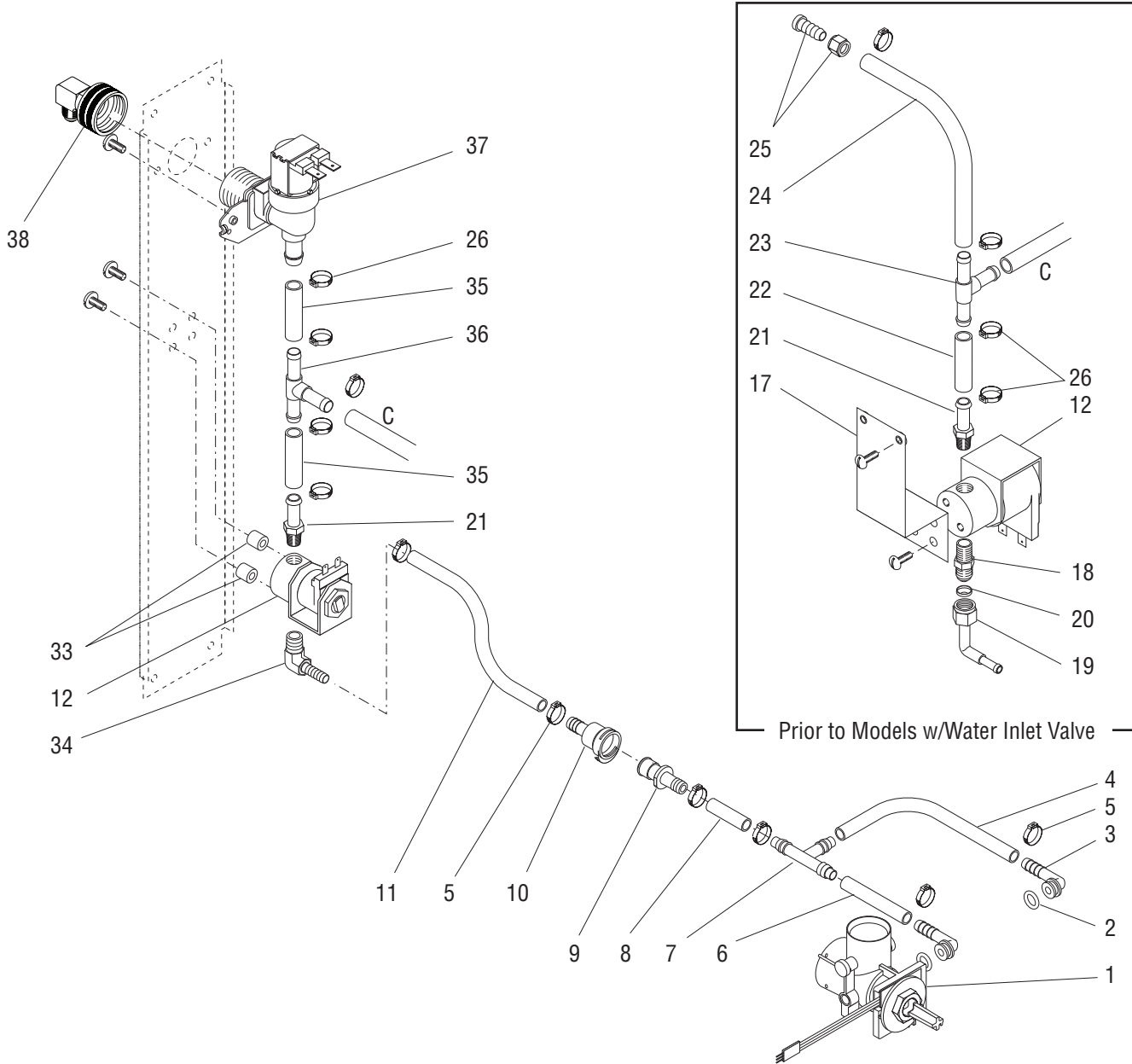
(Continued)



RINSE WATER MANIFOLD & SOLENOID (Early Models)

ITEM	PART NO.	QTY.	DESCRIPTION
26	34325.0006*	1	Hose, Flex .38" ID x .595" OD x 2.25" (Order item 39)
27	33150.0000	1	Nut
28	33686.0000	1	Nipple
29	23720.0000	1	Strainer Assy (Includes items 30 - 32)
30	-----	1	Housing, Strainer (Order item 29)
31	23721.0000	1	Screen
32	23723.0000	1	End Cap
33	21275.0006	2	Clamp .41 - .50"
34	35573.0000*	1	Bracket, Rinse Solenoid (Early Models)
	01317.0003	2	Screw, Truss Head #8-32 x .38" Lkg
35	32463.0000	2	Fitting, Elbow
36	32849.0001	2	O-ring
37	38129.1000	-	Hose, Braided .25" ID x .44" OD x 12.0" (Cut to required length)
	38129.1001	-	Hose, Braided .25" ID x .44" OD x 36.0" (Cut to required length)
	38129.1002	-	Hose, Braided .25" ID x .44" OD x 120.0" (Cut to required length)
38	32745.1002	-	Hose .25" ID x .44" OD x 120.0" (Cut to required length)
39	34325.1000	-	Hose, Flex .38" ID x .595" OD x 12.0" (Cut to required length)
	34325.1001	-	Hose, Flex .38" ID x .595" OD x 36.0" (Cut to required length)
	34325.1002	-	Hose, Flex .38" ID x .595" OD x 120.0" (Cut to required length)

* Indicates the part number listed is for reference only. See DESCRIPTION for possible service replacement.



Early Models

NOTE: Letters appearing within this illustration correspond to matching connections in other illustrations.

P3792

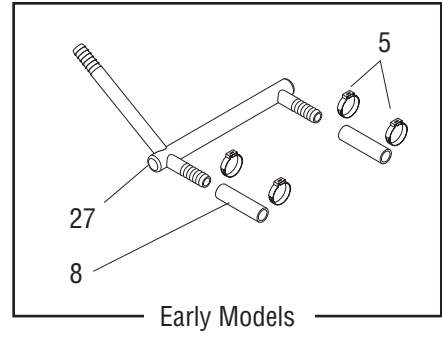
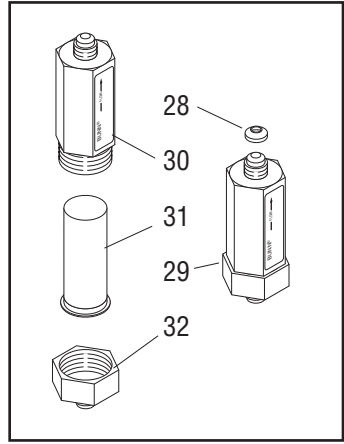
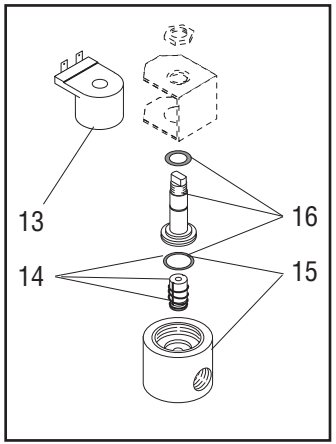
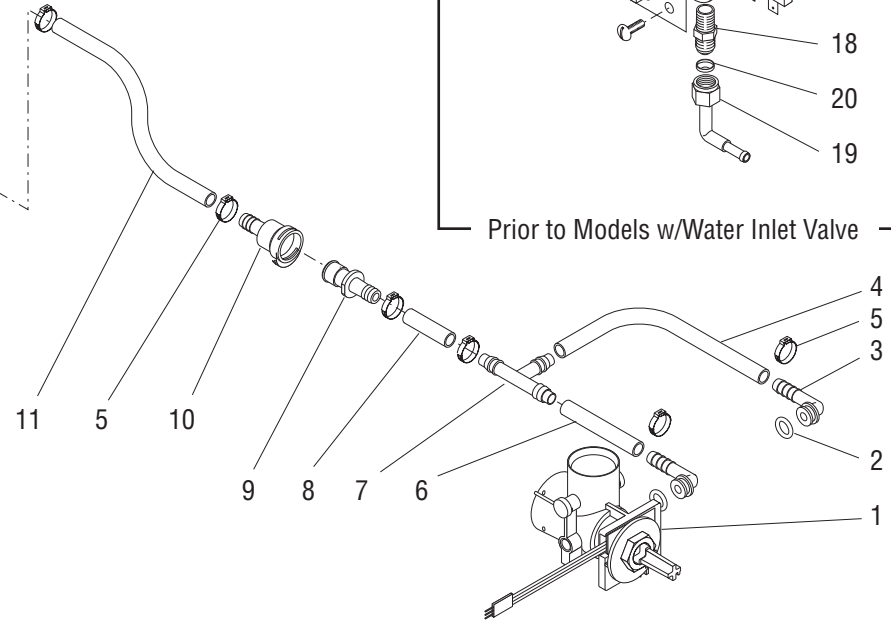
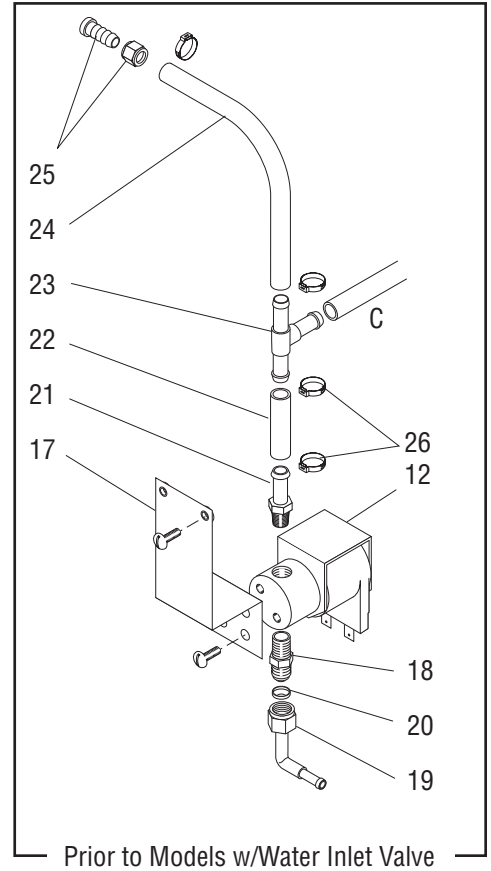
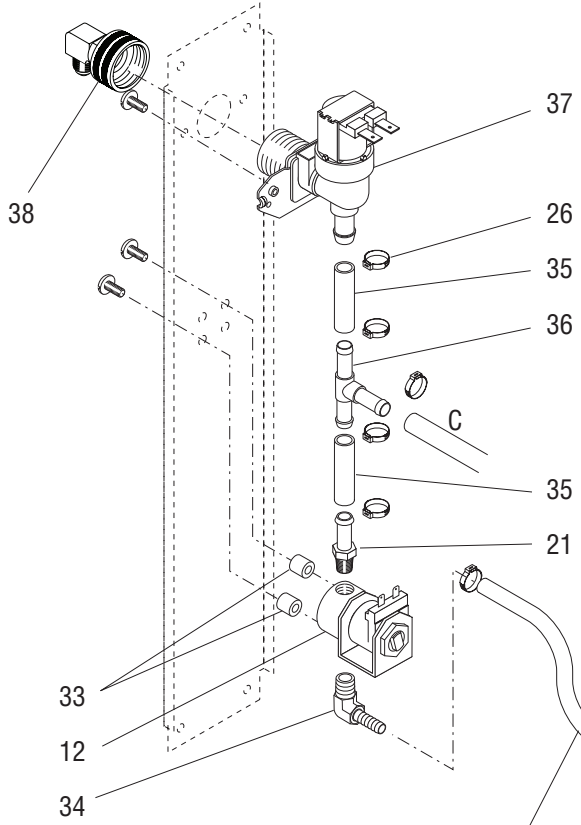
RINSE WATER MANIFOLD & SOLENOID (Late Models)

ITEM	PART NO.	QTY.	DESCRIPTION
1	32756.1000	2	Bottle adapter (See BOTTLE ADAPTER)
2	32849.0001	2	O-ring
3	32463.0000	2	Fitting, Elbow
4	38129.0009*	1	Hose, Braided .25" ID x 4.25" (Order item 40)
5	21275.0006	8	Clamp .40" - .50"
6	38129.0004*	1	Hose, Braided .25" ID x 3.50" (Order item 40)
7	38605.0000	1	Tee .25" Barb
8	38129.0001*	1	Hose, Braided .25" ID x 1.50" (Order item 40)
9	34460.0000	1	Fitting, Quick Disconnect, Male
10	34461.0000	1	Fitting, Quick Disconnect, Female
11	32745.0021*	1	Hose .25" ID x 15.75" (Order item 39)(Early models prior to Water Inlet Valve)
	38129.0014*	1	Hose .25" ID x 13.0" (Order item 40)(Late models with Water Inlet Valve)
12	01085.0002	1	Solenoid Valve 120V (Includes items 13 - 16)
	28005.0000	1	Solenoid Valve 230V (Includes items 13- 15)
	01327.0000	2	Screw, Pan Head #10-32 x .38" 120V
	02308.0000	2	Screw, Pan Head #8-32 x .38" 230V
13	28480.0000	1	Coil, Solenoid 120V
	28020.0000	1	Coil, Solenoid 230V
14	01111.0002	1	Solenoid Repair Kit (Includes Plunger, Spring and O-ring)
15	28479.0000	1	Solenoid Base Kit 120V (Includes O-ring)
	28021.0000	1	Core Assy Kit 230V
16	28481.0000	1	Guide Kit
17	35573.0000*	1	Bracket, Rinse Solenoid (Early Models)
	01317.0003	2	Screw, Truss Head #8-32 x .38" Lkg
18	00402.0001	1	Connector
19	33151.0005	1	Fitting, Elbow .25" Barb
20	33149.0001	1	Gasket
21	33152.0001	1	Fitting .38" Barb x .125" MPT
22	34325.0022*	1	Hose, Flex .38" ID x 2.50" (Order item 41)
23	32750.0001	1	Tee .38" Single Barb
24	34325.0021*	1	Hose, Flex .38" ID x 8.0" (Order item 41)
25	33686.0000	1	Nipple
	33150.0000	1	Nut

(Continued)

* Indicates the part number listed is for reference only. See DESCRIPTION for possible service replacement.

(Continued)



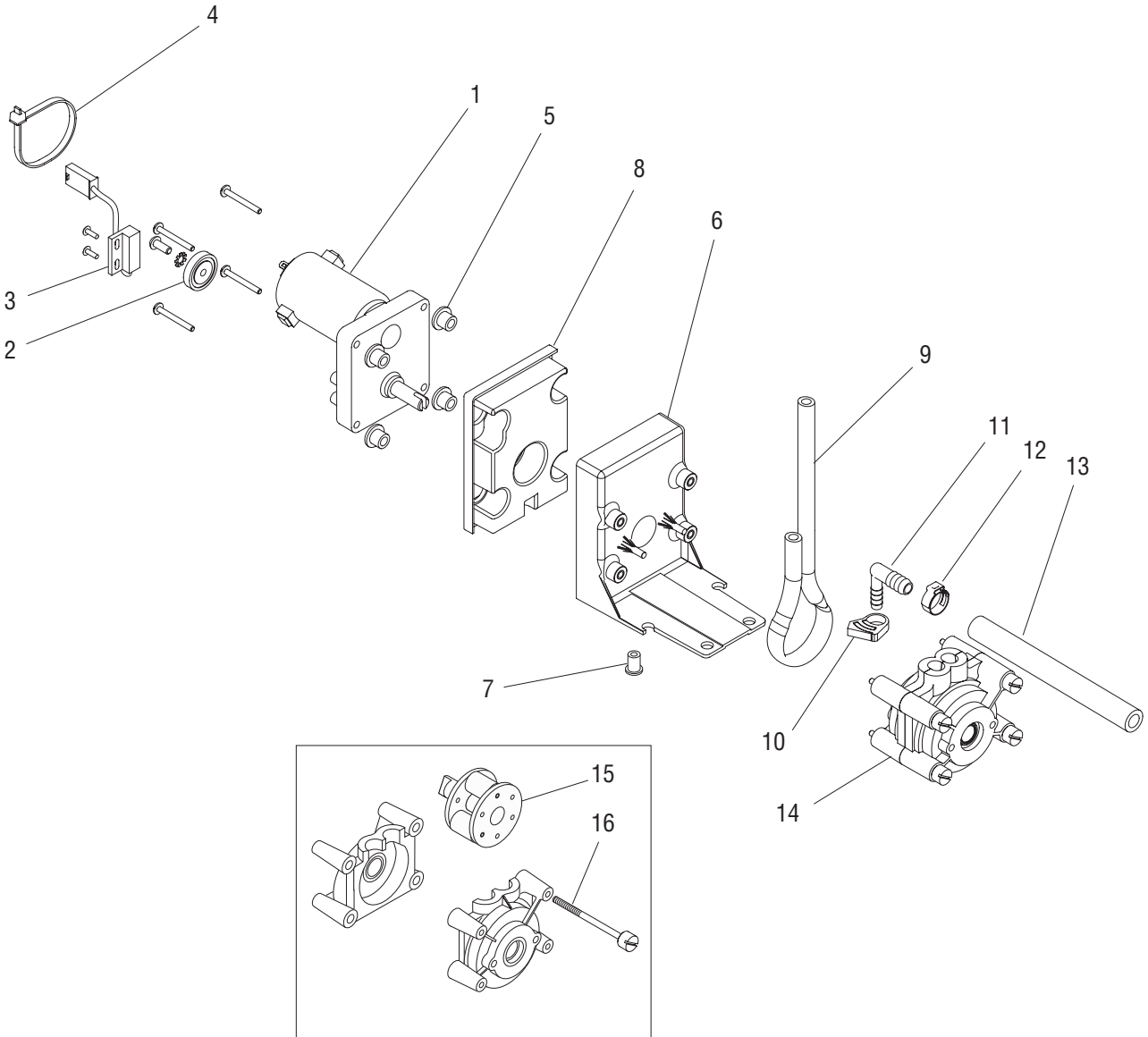
NOTE: Letters appearing within this illustration correspond to matching connections in other illustrations.

P3792

RINSE WATER MANIFOLD & SOLENOID (Late Models)

ITEM	PART NO.	QTY.	DESCRIPTION
26	21275.0003	5	Clamp .57" - .70"
27	36203.0000*	1	Manifold. Rinse SST (Early Models)
28	33149.0000	2	Gasket
29	23720.0000	1	Strainer Assy (Includes items 30 - 32)
30	-----	1	Housing, Strainer (Order item 29)
31	23721.0000	1	Screen
32	23723.0000	1	End Cap
33	01533.0005	2	Spacer
	01326.0006	2	Screw, Truss Head #10-32 x .625"
34	00464.0001	1	Elbow .25" Barb x .125"MPT
35	34325.0004*	2	Hose, Flex .38" ID x 1.50" (Order item 41)
36	35077.0000	1	Tee, Nylon .38" Barb
37	36233.0000	1	Valve, Water Inlet 120V
	36233.0001	1	Valve, Water Inlet 230V
	32283.0000	2	Screw, Pan Head M4 x 6mm
38	37297.0000	1	Elbow
39	32745.1002	-	Hose .25" ID x .44" OD x 120.0" (Cut to required length)
40	38129.1000	-	Hose, Braided .25" ID x .44" OD x 12.0" (Cut to required length)
	38129.1001	-	Hose, Braided .25" ID x .44" OD x 36.0" (Cut to required length)
	38129.1002	-	Hose, Braided .25" ID x .44" OD x 120.0" (Cut to required length)
41	34325.1000	-	Hose, Flex .38" ID x .595" OD x 12.0" (Cut to required length)
	34325.1001	-	Hose, Flex .38" ID x .595" OD x 36.0" (Cut to required length)
	34325.1002	-	Hose, Flex .38" ID x .595" OD x 120.0" (Cut to required length)

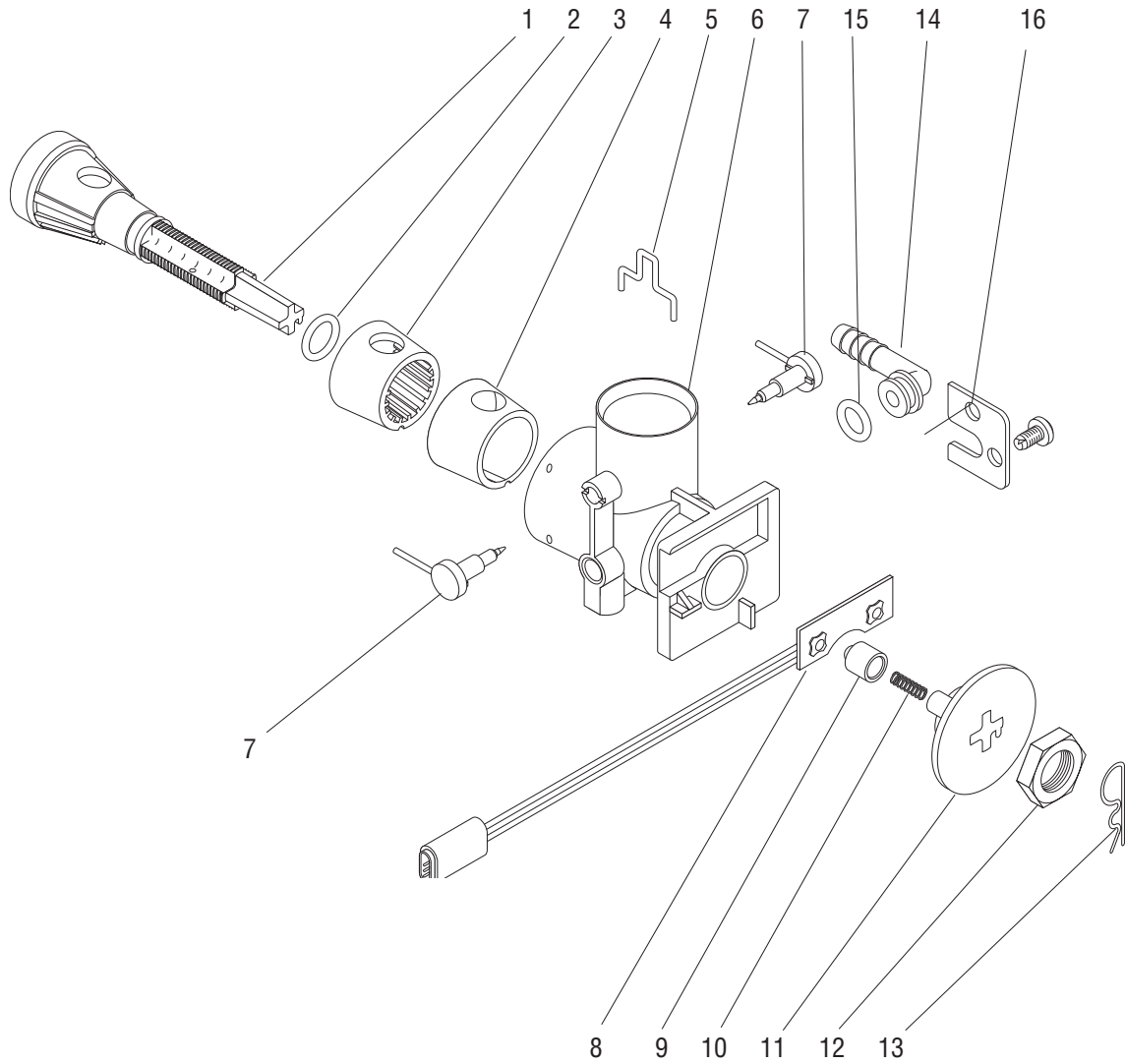
* Indicates the part number listed is for reference only. See DESCRIPTION for possible service replacement.



PUMP ASSEMBLY

ITEM	PART NO.	QTY.	DESCRIPTION
-	33803.1001	1	Pump Assy (Includes items 1 - 29)
1	32613.1002	1	Motor Assy
	01322.0001	4	Screw #8-32 x 1.25"
2	32654.0000	1	Magnet Hub
	01512.0000	1	Lockwasher, Internal-tooth #10
	01331.0004	1	Screw, Locking #10-32 x .50"
3	33608.1000	1	Sensor, RPM
	02336.0000	2	Screw #4-40 x .38"
4	07130.0000*	1	Cable Tie
5	32957.0000	4	Bushing
6	37152.0001	1	Mount Assy, Pump
7	29904.0000	1	Insert, Well Nut #8-32
8	33781.0000	1	Gasket
9	28755.0010*	1	Tube, Norprene .25" ID x 18.5" lg (Order item 17)
10	32732.0000	1	Clamp .39"/.48"
11	32656.0000	1	Fitting, Elbow .25" Barb x .38" Barb
12	21275.0003	1	Clamp .57"/.70"
13	34325.0019*	1	Hose, Flex .375" ID x 5.75" lg (Order item 18)
14	28759.0000	1	Pump Assy. (Includes items 15 & 16)
15	28794.0000	1	Rotor
16	01370.0001	4	Screw, Pan Head #8-32 x 2.45"
17	28755.1000	-	Tube, Neoprene .25" ID x .45" OD x 12.0" (Use as required)
	28755.1001	-	Tube, Neoprene .25" ID x .45" OD x 36.0" (Use as required)
	28755.1002	-	Tube, Neoprene .25" ID x .45" OD x 60.0" (Use as required)
18	34325.1000	-	Hose, Flex .375" ID x 12.0" (Use as required)
	34325.1001	-	Hose, Flex .375" ID x 36.0" (Use as required)
	34325.1002	-	Hose, Flex .375" ID x 120.0" (Use as required)
19	39689.0000	-	Pump Tube (Includes items 9,10,11,12 & 13)

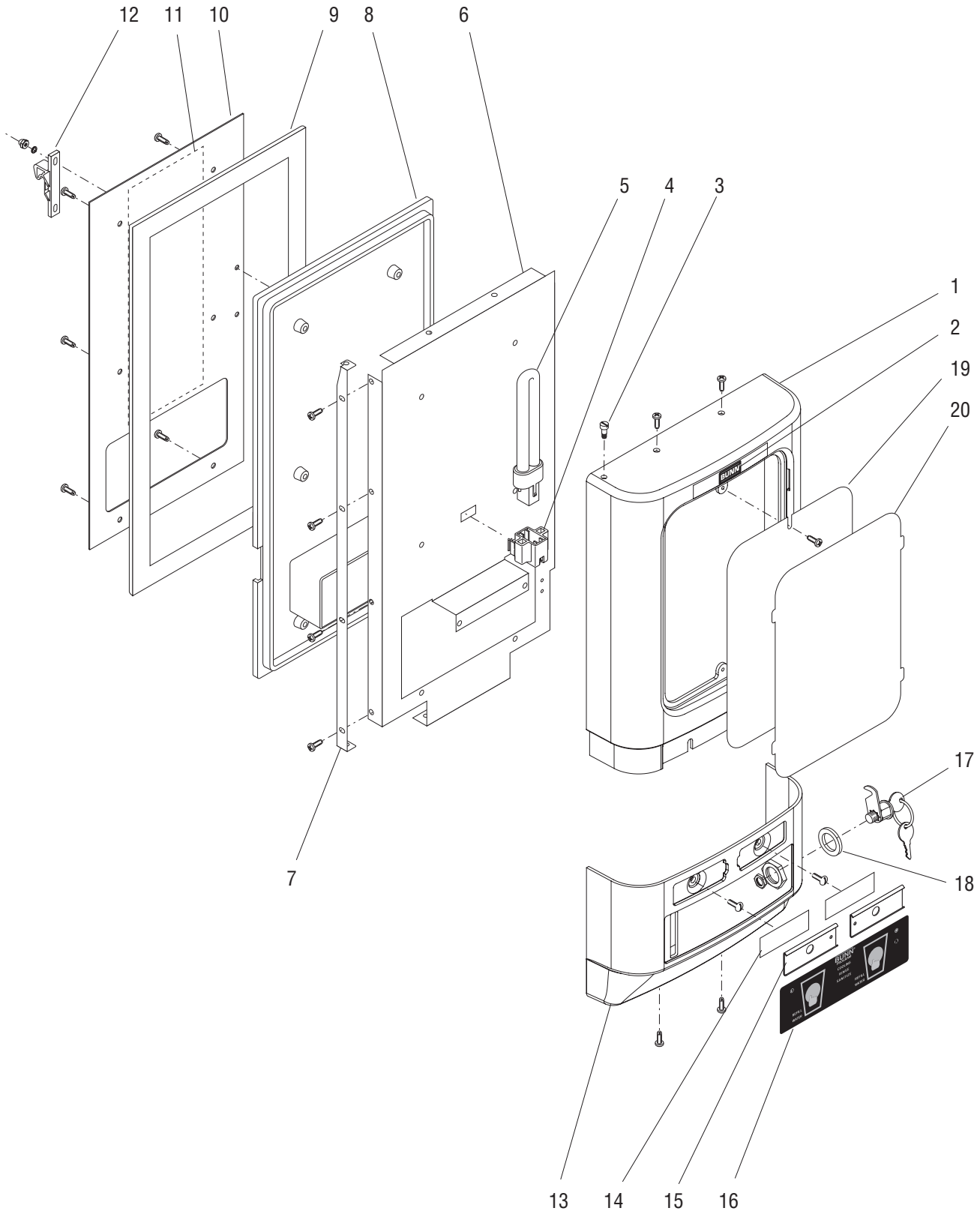
* Indicates the part number listed is for reference only. See DESCRIPTION for possible service replacement.



BOTTLE ADAPTER ASSEMBLY

ITEM	PART NO.	QTY.	DESCRIPTION
-	32756.1000	1	Adapter Assy, Bottle (Includes items 1 - 16)
1	32456.0000	1	Spool
2	36301.0000	1	O-ring
3	32625.0000	1	Seal, Rotary
4	33515.0000	1	Boot, Teflon (Also order item 17)
5	-----	1	Opener (Order item 6)
6	32453.1000	1	Body Assy. (Includes items 5 & 7)
7	-----	2	Probe (Order item 6)
8	34032.1000	1	Switch, Membrane
9	32663.0000	1	Detent, Membrane Switch
10	33042.0000	1	Spring
11	32469.0000	1	Plate, Detent
12	00942.0002	1	Nut, Brass w/Tin Plate .50-20"
13	21358.0001	1	Clip, Retainer
14	32463.0000	1	Fitting, Elbow
15	32849.0001	1	O-ring
16	37786.0001	1	Plate
	32860.0000	1	Screw
17	M2568.1000	-	Grease, USDA H-1 (Use when installing item 4)

* Indicates the part number listed is for reference only. See DESCRIPTION for possible service replacement.



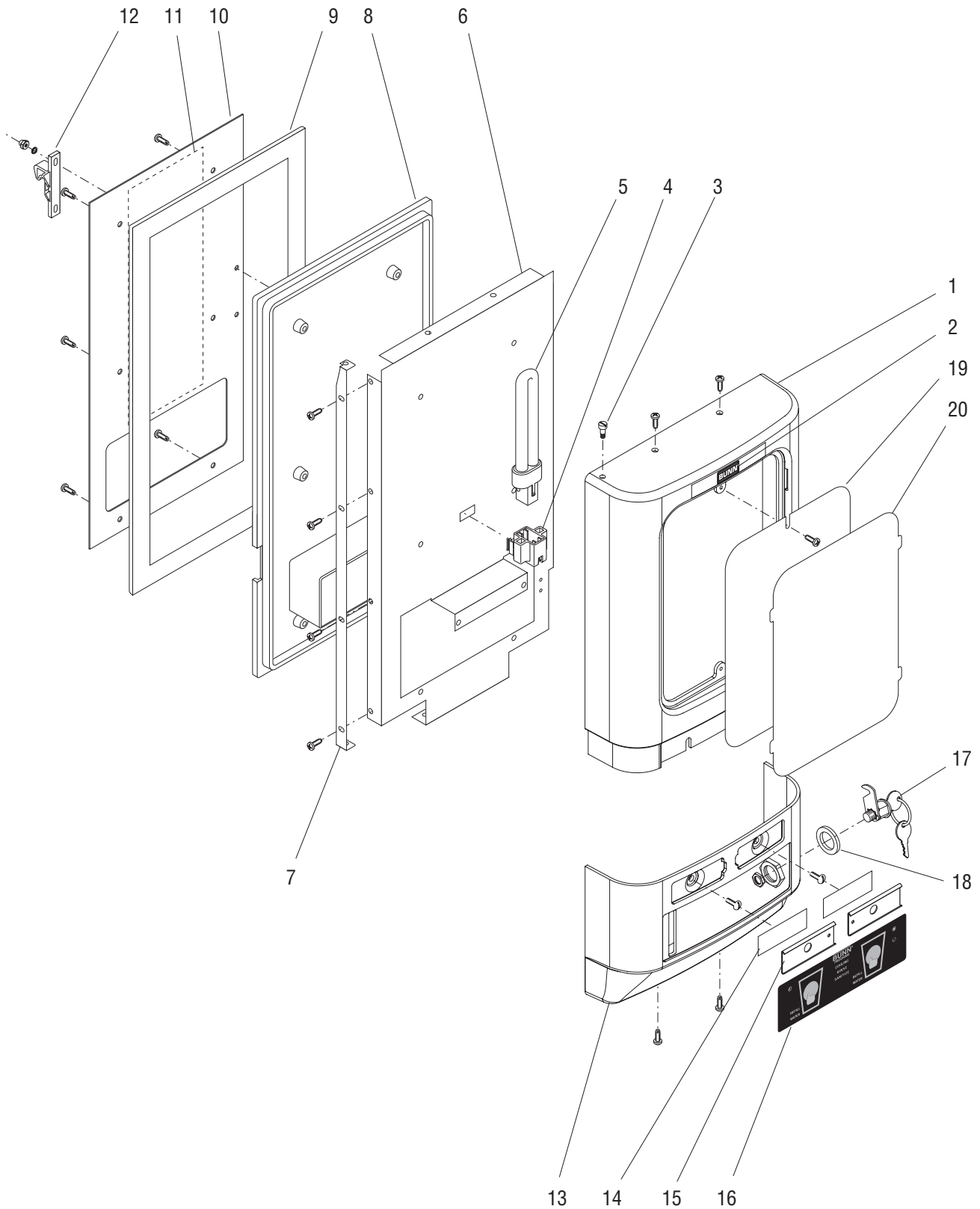
DOOR ASSEMBLY

ITEM	PART NO.	QTY.	DESCRIPTION
-	36080.0000	1	Door Assy. Lited, Pushbutton (Includes items 2 - 26)
-	36080.0001	1	Door Assy. Lited, Portion Control (Includes items 2 - 26)
-	36080.0002	1	Door Assy. Unlited, Pushbutton (Includes items 2, 3, 6 - 26)
-	36080.0003	1	Door Assy. Unlited, Portion Control (Includes items 2, 3, 6 - 26)
1	35166.1000	1	Door, Upper, Lited (Includes items 2 - 12, 14, 15, 19 - 23, 25 & 26)
	35166.1001	1	Door, Upper, Unlited (Includes items 2, 3, 6 - 12, 14, 15, 19 - 23, 25 & 26)
	01317.0005	2	Screw, Blk, Truss Head, Locking #8-32 x .375"
2	23279.0000	1	Decal, BUNN
3	34741.0000	1	Shoulder Bolt
4	32807.0001	1	Lamp Holder (Lited Doors only)
5	32806.0000	1	Lamp (Lited Doors only)
6	34791.0000	1	Panel, Light
7	33532.0000	1	Bracket, Hinge
	01317.0003	4	Screw, Truss Head, Locking #8-32 x .375"
8	-----	1	Panel, Door Inner (Not serviced)
9	34792.0000	1	Seal, Door
10	35567.0000	1	Plate, Door Seal
	01322.0001	6	Screw, Round Head, Locking #8-32 x 1.25"
11	38298.0000	1	Decal, Brixing and Cleaning
12	34667.0000	1	Keeper, Door Latch
	01519.0000	2	Lockwasher
	02319.0000	2	Nut, Acorn
13	35387.1000	1	Door, Lower, Pushbutton (Includes items 14 thru 18)
	35387.1001	1	Door, Lower, Portion Control (Includes items 14 thru 18)
	01317.0005	4	Screw, Blk, Truss Head, Locking #8-32 x .375"
14	32819.0001	2	Strip, Adhesive
15	37018.0001	2	Flavor Label Holder
16	34736.0000	1	Membrane Switch, Push Button
	34737.0000	1	Membrane Switch, Portion Control
17	34470.0000	1	Lock Assy (Includes Keys and Nut)
	28095.0000	1	Keys (Set of 2)
18	35608.0000	1	Shim
19	35022.0000	1	Lens, Fixed
	24544.0000	2	Screw, Pan Head #8-18
20	35023.0000	1	Lens, Removable

(Continued)

* Indicates the part number listed is for reference only. See DESCRIPTION for possible service replacement.

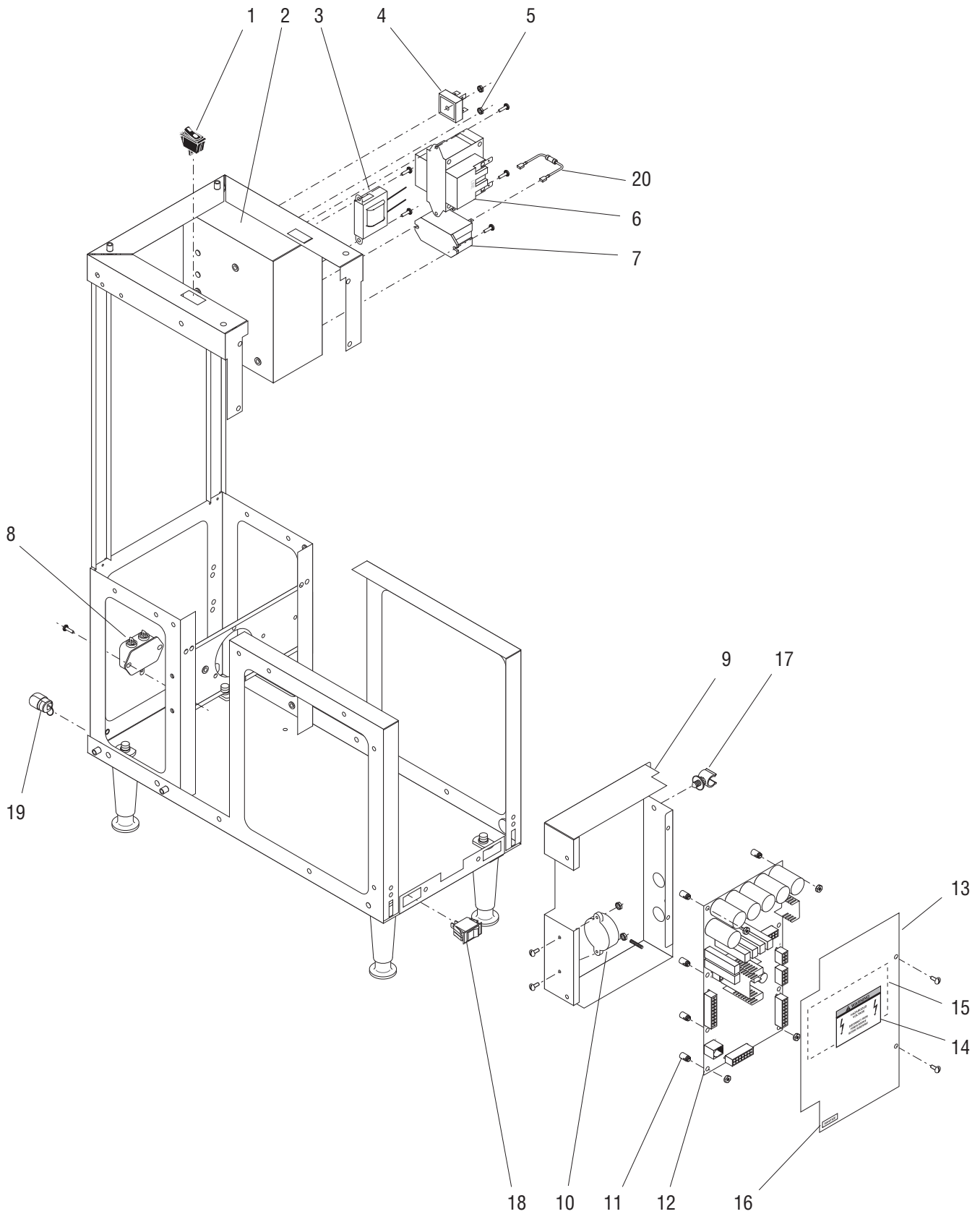
(Continued)



DOOR ASSEMBLY

ITEM	PART NO.	QTY.	DESCRIPTION
The following items are not illustrated			
21	35269.0000	1	Harness, Touch Pad
22	07130.0000*	2	Cable Tie
23	35270.0000	1	Harness, Door Lamp (Lited Doors only)
24	33208.0001	1	Harness, Light Socket (Lited Doors only)
25	00970.0000	1	Nut, Harness Grounding (Lited Doors only)
26	29976.0000	1	Cable Mount

* Indicates the part number listed is for reference only. See DESCRIPTION for possible service replacement.



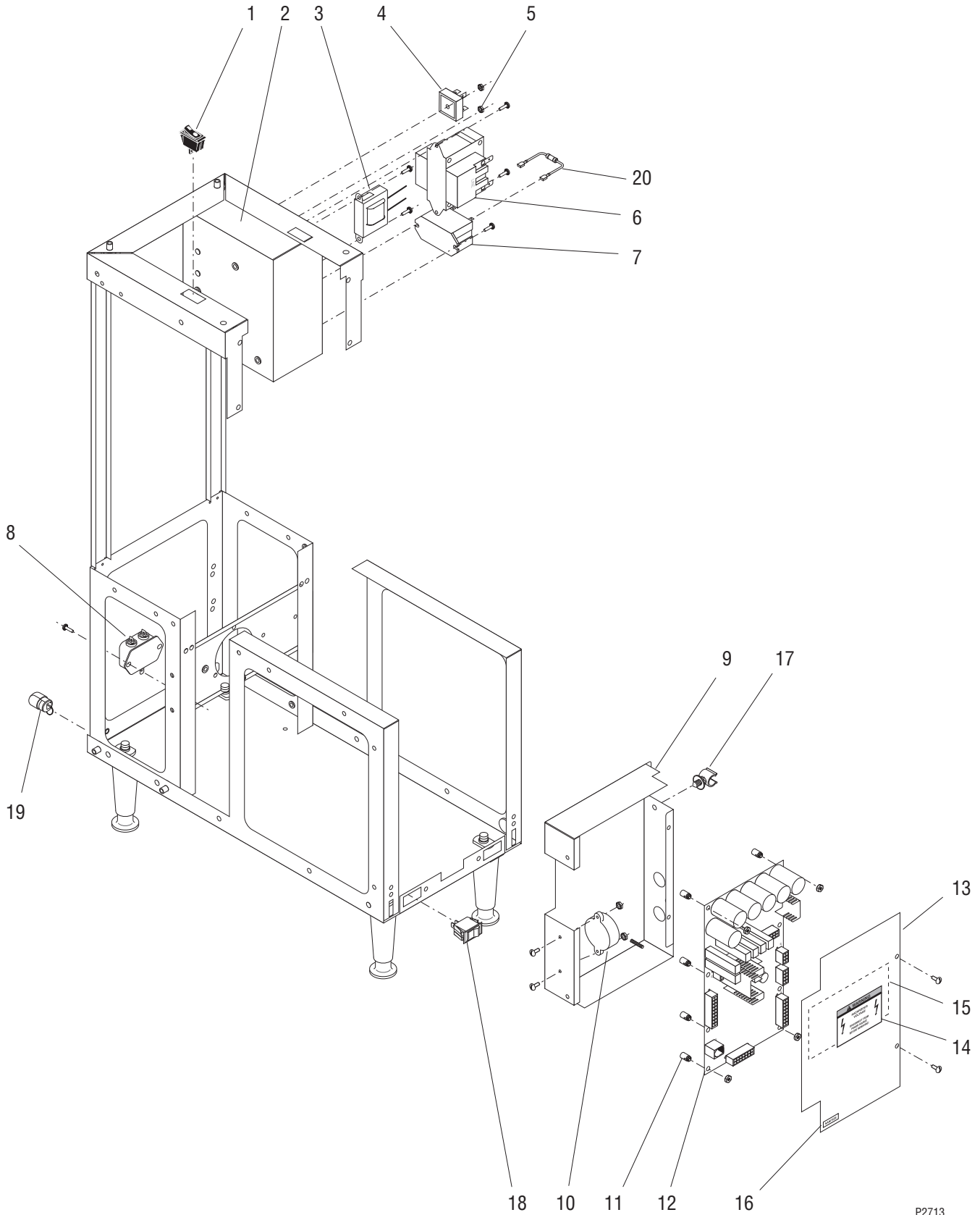
ELECTRICAL COMPONENTS

ITEM	PART NO.	QTY.	DESCRIPTION
1	04786.0004	1	Switch, Compressor ON/OFF
2	34407.0000	1	Enclosure
	02308.0000	2	Screw, Pan Head #8-32 x .38"
3	28327.0000	1	Ballast, Door Lamp 120V (Lited Doors only)
	28327.0001	1	Ballast, Door Lamp 230V (Lited Doors only)
	02308.0000	2	Screw, Pan Head #8-32 x .38"
4	22126.0000	1	Rectifier
	00970.0000	1	Nut, Keps #8-32
5	00970.0000	1	Nut, Harness Grounding
6	32824.0001	1	Transformer 120V
	39417.0000	1	Transformer 230V
	02308.0000	2	Screw, Pan Head #8-32 x .38"
7	37711.0000	1	Relay 120V
	37711.0001	1	Relay 230V
	02308.0000	2	Screw, Pan Head #8-32 x .38"
8	29446.0000	1	EMI Filter (230V models only)
9	34406.0000*	1	Enclosure
	02308.0000	2	Screw, Pan Head #8-32 x .38"
10	33147.0000	1	Audio Indicator
	01382.0000	2	Screw, Truss Head #6-32 x .375"
	00973.0000	2	Nut, Keps #6-32
11	29081.0000	8`	Spacer
12	32673.1002	1	Circuit Board (Early models prior to Water Inlet Valve)
	38830.1001	1	Circuit Board (Late models with Water Inlet Valve)
	39650.1000	1	Circuit Board (Late models with Water Inlet Valve)(RoHS Compliant)
	00973.0000	4	Nut, Keps #6-32
13	34404.1000	1	Cover (Includes item 14)
	01382.0000	2	Screw, Truss Head #6-32 x .375"
14	12559.0003	1	Decal, Warning - Hazardous Voltage
15	33647.0000	1	Decal, Dip Switch
16	33460.0000	1	Decal, Sanitize Switch
17	27410.0000	1	Clip, Tube Mounting
18	01063.0000	1	Switch, Rinse/Run
19	00707.0000	1	Bushing, Strain Relief
20	40770.0000	1	Resistor 230V

(Continued)

* Indicates the part number listed is for reference only. See DESCRIPTION for possible service replacement.

(Continued)

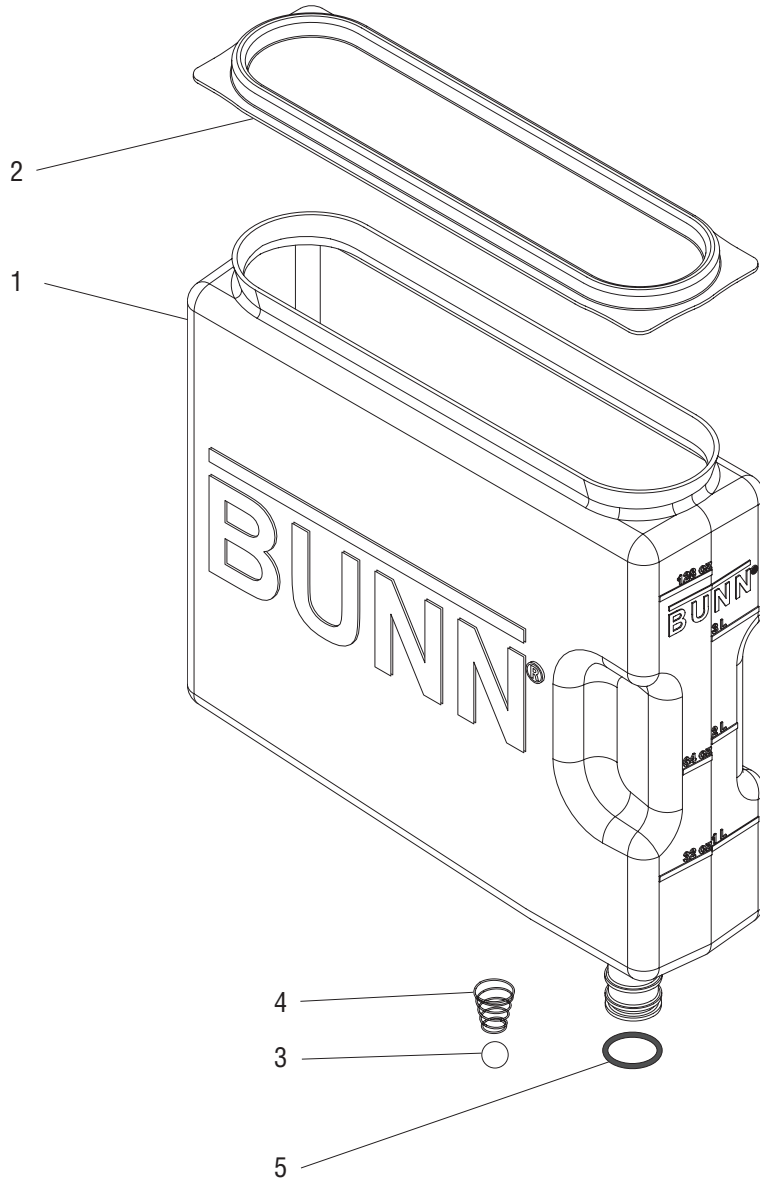


P2713

ELECTRICAL COMPONENTS

ITEM	PART NO.	QTY.	DESCRIPTION
The following items are not illustrated			
21	22749.0000	1	Pad, Cable Mounting
22	03290.0000	1	Cable Tie
23	35182.0000	1	Harness, Main 120V
	35182.0001	1	Harness, Main 230V
24	20630.0010	1	Power Cord
25	35177.0000	1	Harness, Water Bath
26	33115.0000	1	Harness, Cabinet Fan
27	35191.0000	1	Harness, Compressor

* Indicates the part number listed is for reference only. See DESCRIPTION for possible service replacement.



REFILLABLE CONTAINER ASSEMBLY

ITEM	PART NO.	QTY.	DESCRIPTION
-	39302.0000	1	Container Assy (Includes items 1-5)
1	39301.0000	1	Container
2	39299.0000	1	Lid
3	00598.0002	1	Ball (Early Models)
4	32877.0000	1	Spring (Early Models)
5	34261.0000	1	O-ring

* Indicates the part number listed is for reference only. See DESCRIPTION for possible service replacement.

NUMERICAL INDEX

PART NO.	PAGE NO.	PART NO.	PAGE NO.	PART NO.	PAGE NO.	PART NO.	PAGE NO.
00396.0002.....	9	12757.0000.....	21	32204.1001.....	13	33152.0001.....	35
00402.0001.....	31,35	20203.0100.....	15	32204.1002.....	13	33208.0001.....	45
00425.0001.....	31	20630.0010.....	49	32252.0000.....	25	33297.0000.....	7
00425.0002.....	31	20976.0016.....	15	32283.0000.....	37	33458.0000.....	5
00459.0000.....	31	20976.0062.....	15	32453.1000.....	41	33459.0003.....	7
00463.0000.....	31	20976.1000.....	17	32454.0000.....	23	33460.0000.....	47
00464.0001.....	37	20976.1001.....	17	32455.0000.....	7	33461.0001.....	5
00598.0002.....	51	20976.1002.....	17	32456.0000.....	41	33515.0000.....	41
00656.0000.....	5	21275.0003.....	15,19,21	32458.0000.....	23	33519.0000.....	17
00668.0000.....	5	21275.0003.....	27,31,37,39	32461.0000.....	7	33522.1001.....	11
00669.0002.....	7	21275.0005.....	15	32463.0000.....	25,33	33532.0000.....	43
00707.0000.....	47	21275.0006.....	17,23,27,29	32463.0000.....	35,41	33533.0000.....	17
00901.0000.....	9	21275.0006.....	31,33,35	32469.0000.....	41	33536.0000.....	9
00908.0000.....	15	21275.0009.....	15	32602.0000.....	25	33538.0000.....	5
00942.0002.....	41	21358.0001.....	41	32603.0000.....	25	33539.0000.....	5
00970.0000.....	45,47	21436.0000.....	5	32613.1002.....	39	33553.0000.....	25
00973.0000.....	15,47	22126.0000.....	47	32623.0000.....	25	33554.0000.....	25
00976.0000.....	17	22749.0000.....	49	32624.0000.....	25	33580.0000.....	25
00986.0002.....	5	23279.0000.....	43	32625.0000.....	41	33585.0000.....	25
00991.0000.....	23	23700.0000.....	11	32631.0000.....	27,29	33602.0000.....	13
01063.0000.....	47	23720.0000.....	33,37	32654.0000.....	39	33603.0000.....	13
01085.0002.....	31,35	23721.0000.....	33,37	32656.0000.....	39	33603.0001.....	13
01111.0002.....	25,31,35	23723.0000.....	33,37	32663.0000.....	41	33608.1000.....	39
01308.0000.....	23,25	24544.0000.....	7,15,43	32673.1002.....	47	33623.0000.....	15
01311.0001.....	5,7,23	26528.0000.....	5	32732.0000.....	39	33645.0000.....	5
01317.0003.....	5,9,15,33,35,43	26801.0000.....	5	32734.0001.....	15	33646.0000.....	5
01317.0005.....	43	27243.0000.....	9	32745.0021.....	31,35	33647.0000.....	47
01322.0001.....	39,43	27246.0000.....	7	32745.1002.....	33,37	33669.0000.....	7
01326.0006.....	37	27258.0000.....	13	32749.0001.....	31	33670.0004.....	17
01327.0000.....	7,31,35	27354.0000.....	5	32750.0001.....	35	33686.0000.....	33,35
01331.0004.....	39	27394.0000.....	7	32756.1000.....	23,31,35,41	33725.0000.....	25
01338.0000.....	23	27410.0000.....	47	32776.0000.....	9	33781.0000.....	39
01359.0000.....	7	27442.0000.....	5	32806.0000.....	43	33801.0000.....	15
01370.0001.....	39	28005.0000.....	31,35	32807.0001.....	43	33801.0002.....	15
01382.0000.....	7,47	28020.0000.....	31,35	32819.0001.....	43	33803.1001.....	39
01512.0000.....	39	28021.0000.....	31,35	32824.0001.....	47	34032.1000.....	41
01514.0000.....	21	28095.0000.....	43	32848.0000.....	7	34087.0000.....	23
01519.0000.....	43	28327.0000.....	47	32849.0001.....	25,27,29	34261.0000.....	51
01522.0000.....	15,23	28327.0001.....	47	32849.0001.....	33,35,41	34325.0003.....	15
01532.0000.....	31	28479.0000.....	31,35	32851.0000.....	25	34325.0004.....	19,21,31,37
01533.0005.....	37	28480.0000.....	31,35	32852.0000.....	25	34325.0006.....	15,33
02308.0000.....	31,35,47	28481.0000.....	25,31,35	32853.0001.....	25	34325.0010.....	19,21
02319.0000.....	43	28567.0000.....	9	32860.0000.....	41	34325.0012.....	21
02332.0001.....	5,15	28755.0010.....	39	32877.0000.....	51	34325.0014.....	21
02335.0001.....	9	28755.1000.....	39	32957.0000.....	39	34325.0017.....	27
02336.0000.....	39	28755.1001.....	39	32957.0001.....	23	34325.0019.....	39
02536.0000.....	15	28755.1002.....	39	33042.0000.....	41	34325.0021.....	19,35
02645.1000.....	15	28759.0000.....	39	33068.0000.....	15	34325.0022.....	35
03290.0000.....	7,15,17,49	28794.0000.....	39	33115.0000.....	49	34325.1000.....	17,19,21,27
03996.0000.....	5	29081.0000.....	47	33147.0000.....	47	34325.1000.....	33,35,37,39
04786.0004.....	47	29327.0000.....	15	33149.0000.....	17,21,31,37	34325.1001.....	17,19,21,27
07130.0000.....	39,45	29446.0000.....	47	33149.0001.....	31,35	34325.1001.....	33,35,37,39
12422.0000.....	23	29904.0000.....	39	33150.0000.....	33,35	34325.1002.....	17,19,21,27
12559.0003.....	47	29951.0001.....	9	33151.0004.....	21,31	34325.1002.....	33,35,37,39
12756.0000.....	21	29976.0000.....	45	33151.0005.....	31,35	34362.0000.....	7

NUMERICAL INDEX

PART NO.	PAGE NO.	PART NO.	PAGE NO.	PART NO.	PAGE NO.	PART NO.	PAGE NO.
34403.1001.....	15	35270.0000.....	45	38129.1000.....	27,29,33,37		
34404.1000.....	47	35272.1001.....	15	38129.1001.....	27,29,33,37		
34406.0000.....	47	35277.0000.....	5	38129.1002.....	27,29,33,37		
34407.0000.....	47	35305.0000.....	19,21	38231.1000.....	11		
34409.0000.....	5	35385.0001.....	9	38298.0000.....	43		
34410.0000.....	5	35386.0001.....	9	38469.0001.....	5		
34416.0000.....	15	35387.1000.....	43	38519.0000.....	7		
34418.0000.....	9	35387.1001.....	43	38605.0000.....	17,29,35		
34419.0000.....	7	35478.0000.....	7	38616.0000.....	7		
34421.0000.....	7	35526.0000.....	15	38765.1000.....	5		
34422.1000.....	7	35567.0000.....	43	38830.1001.....	47		
34460.0000.....	31,35	35573.0000.....	33,35	38896.0000.....	11		
34461.0000.....	29,31,35	35580.0001.....	9	38897.0000.....	11		
34462.0000.....	21	35581.0001.....	9	38897.0001.....	11		
34463.0000.....	27	35608.0000.....	43	38916.0000.....	11		
34470.0000.....	43	35930.0000.....	7	38917.0000.....	11		
34529.0000.....	9	35998.0001.....	5	38918.0000.....	11		
34540.0000.....	21	36080.0000.....	43	39299.0000.....	51		
34666.0001.....	7	36080.0001.....	43	39301.0000.....	51		
34667.0000.....	43	36080.0002.....	43	39302.0000.....	51		
34736.0000.....	43	36080.0003.....	43	39417.0000.....	47		
34737.0000.....	43	36191.1000.....	5	39428.0000.....	5		
34738.0000.....	7	36192.1000.....	5	39561.0001.....	5		
34741.0000.....	43	36203.0000.....	31,37	39650.1000.....	47		
34784.0000.....	7	36204.0000.....	27	39689.0000.....	39		
34785.0000.....	7	36233.0000.....	37	40770.0000.....	47		
34786.1000.....	5	36233.0001.....	37	M2332.1000.....	9		
34790.0000.....	7	36301.0000.....	41	M2336.1000.....	9		
34791.0000.....	43	36448.0000.....	17	M2337.1000.....	19,21		
34792.0000.....	43	37018.0001.....	43	M2568.1000.....	7,25,41		
34797.0000.....	5	37152.0001.....	39				
35022.0000.....	43	37265.0000.....	15				
35023.0000.....	43	37297.0000.....	37				
35077.0000.....	15,37	37711.0000.....	47				
35106.0000.....	15	37711.0001.....	47				
35108.1000.....	7	37786.0001.....	23,41				
35132.0000.....	15	37801.0001.....	25				
35164.1000.....	9	37809.1000.....	15				
35165.0000.....	15	37843.0000.....	25				
35166.1000.....	43	37850.0000.....	19,21				
35166.1001.....	43	37853.0000.....	25				
35171.0000.....	21	37977.0000.....	25				
35172.0001.....	21	37987.0000.....	25				
35173.0001.....	19,21	37990.0000.....	25				
35174.0000.....	17	38018.1000.....	23,25				
35175.1000.....	9	38104.0000.....	23				
35177.0000.....	49	38116.1000.....	23				
35179.0001.....	9	38122.0000.....	23				
35180.0001.....	9	38129.0001.....	31,35				
35181.0001.....	23	38129.0004.....	35				
35182.0000.....	49	38129.0005.....	27				
35182.0001.....	49	38129.0009.....	31,35				
35189.0000.....	23	38129.0012.....	29				
35191.0000.....	49	38129.0013.....	29				
35269.0000.....	45	38129.0014.....	35				