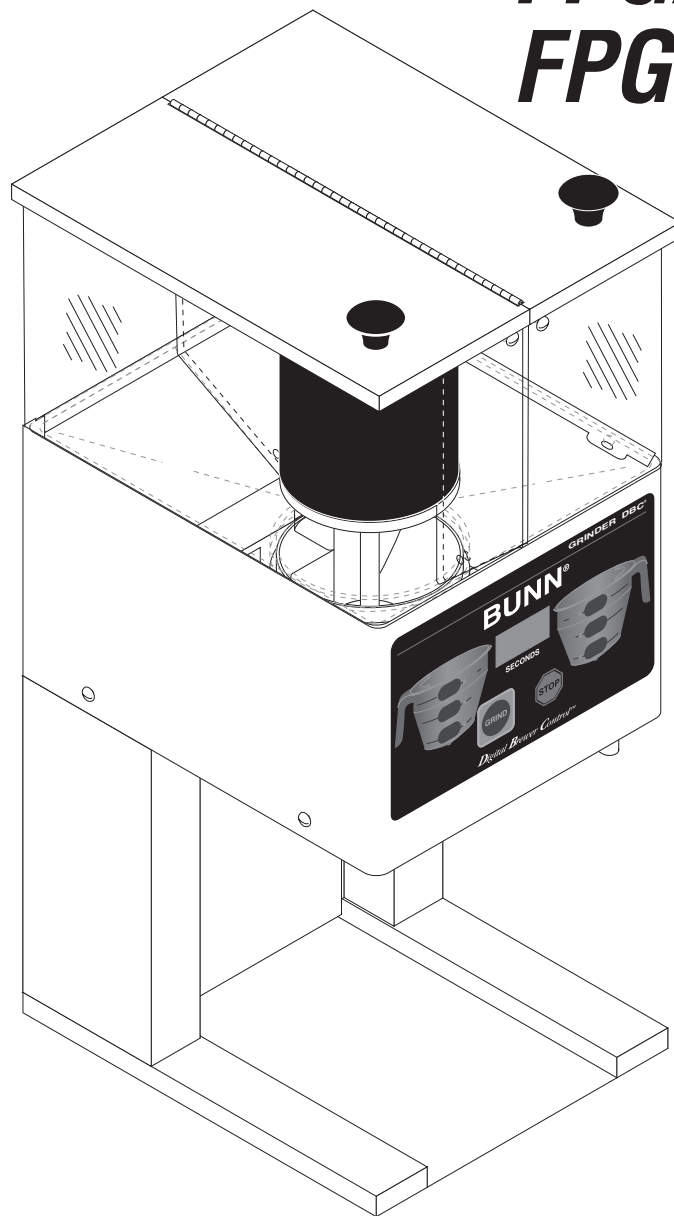


# BUNN®

***FPG-2 DBC***  
***FPGA-2 DBC***  
***FPGB-2 DBC***

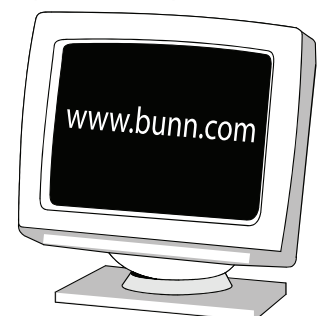


## ILLUSTRATED PARTS CATALOG

Designs, materials, weights, specifications, and dimensions for equipment or replacement parts are subject to change without notice.

### BUNN-O-MATIC CORPORATION

POST OFFICE BOX 3227  
SPRINGFIELD, ILLINOIS 62708-3227  
PHONE: (217) 529-6601 FAX: (217) 529-6644



## BUNN-O-MATIC COMMERCIAL PRODUCT WARRANTY

Bunn-O-Matic Corp. ("BUNN") warrants equipment manufactured by it as follows:

- 1) Airpots, thermal carafes, decanters, GPR servers, iced tea/coffee dispensers, MCR/MCP/MCA single cup brewers, thermal servers and ThermoFresh® servers (mechanical and digital) 1 year parts and 1 year labor.
- 2) All other equipment - 2 years parts and 1 year labor plus added warranties as specified below:
  - a) Electronic circuit and/or control boards - parts and labor for 3 years.
  - b) Compressors on refrigeration equipment - 5 years parts and 1 year labor.
  - c) Grinding burrs on coffee grinding equipment to grind coffee to meet original factory screen sieve analysis - parts and labor for 4 years or 40,000 pounds of coffee, whichever comes first.

These warranty periods run from the date of installation BUNN warrants that the equipment manufactured by it will be commercially free of defects in material and workmanship existing at the time of manufacture and appearing within the applicable warranty period. This warranty does not apply to any equipment, component or part that was not manufactured by BUNN or that, in BUNN's judgment, has been affected by misuse, neglect, alteration, improper installation or operation, improper maintenance or repair, non periodic cleaning and descaling, equipment failures related to poor water quality, damage or casualty. In addition, the warranty does not apply to replacement of items subject to normal use including but not limited to user replaceable parts such as seals and gaskets. This warranty is conditioned on the Buyer 1) giving BUNN prompt notice of

any claim to be made under this warranty by telephone at (217) 529-6601 or by writing to Post Office Box 3227, Springfield, Illinois 62708-3227; 2) if requested by BUNN, shipping the defective equipment prepaid to an authorized BUNN service location; and 3) receiving prior authorization from BUNN that the defective equipment is under warranty.

**THE FOREGOING WARRANTY IS EXCLUSIVE AND IS IN LIEU OF ANY OTHER WARRANTY, WRITTEN OR ORAL, EXPRESS OR IMPLIED, INCLUDING, BUT NOT LIMITED TO, ANY IMPLIED WARRANTY OF EITHER MERCHANTABILITY OR FITNESS FOR A PARTICULAR PURPOSE.** The agents, dealers or employees of BUNN are not authorized to make modifications to this warranty or to make additional warranties that are binding on BUNN. Accordingly, statements by such individuals, whether oral or written, do not constitute warranties and should not be relied upon.

If BUNN determines in its sole discretion that the equipment does not conform to the warranty, BUNN, at its exclusive option while the equipment is under warranty, shall either 1) provide at no charge replacement parts and/or labor (during the applicable parts and labor warranty periods specified above) to repair the defective components, provided that this repair is done by a BUNN Authorized Service Representative; or 2) shall replace the equipment or refund the purchase price for the equipment.

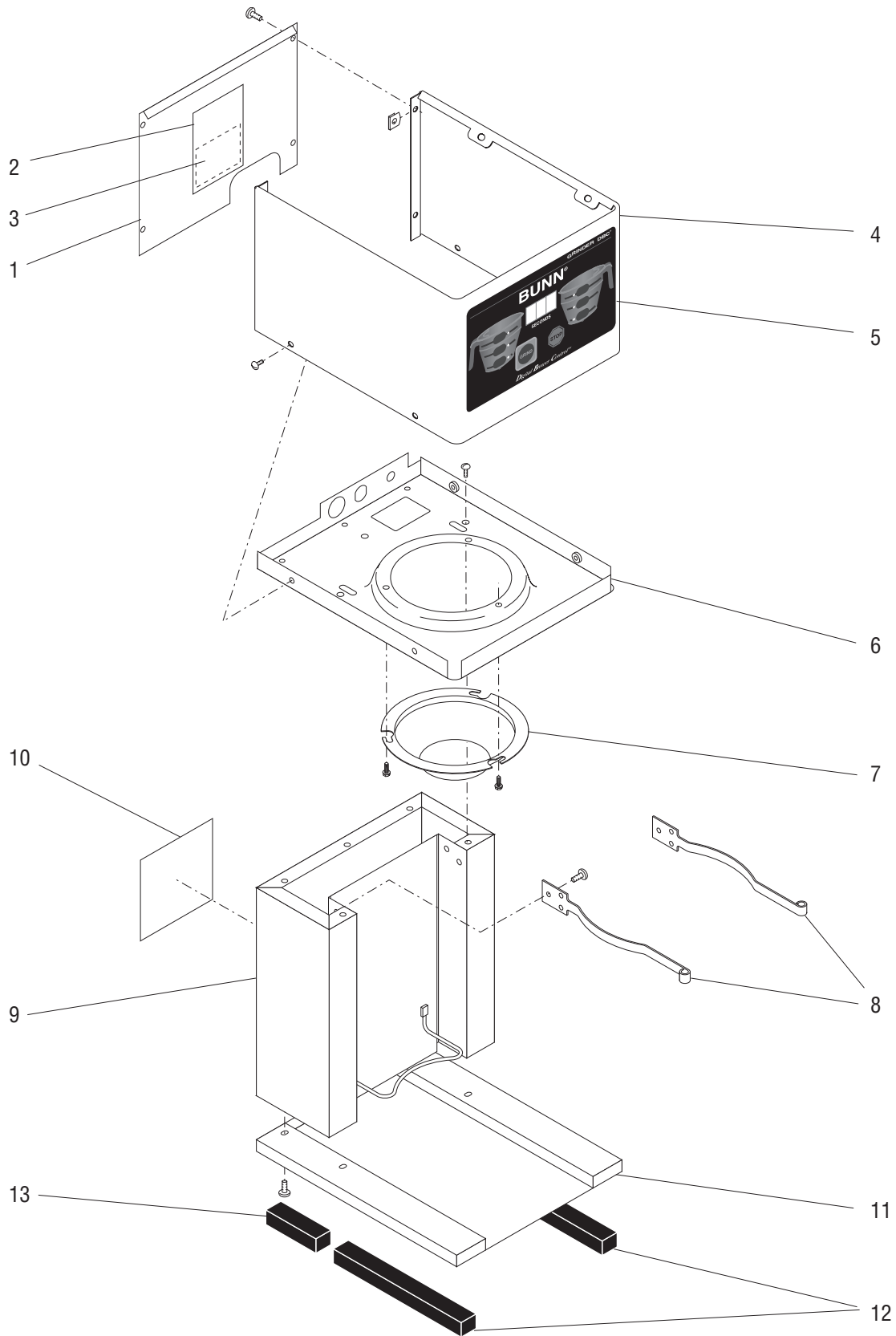
**THE BUYER'S REMEDY AGAINST BUNN FOR THE BREACH OF ANY OBLIGATION ARISING OUT OF THE SALE OF THIS EQUIPMENT, WHETHER DERIVED FROM WARRANTY OR OTHERWISE, SHALL BE LIMITED, AT BUNN'S SOLE OPTION AS SPECIFIED HEREIN, TO REPAIR, REPLACEMENT OR REFUND.**

In no event shall BUNN be liable for any other damage or loss, including, but not limited to, lost profits, lost sales, loss of use of equipment, claims of Buyer's customers, cost of capital, cost of down time, cost of substitute equipment, facilities or services, or any other special, incidental or consequential damages.

392, A Partner You Can Count On, Air Infusion, AutoPOD, AXIOM, BrewLOGIC, BrewMETER, Brew Better Not Bitter, BrewWISE, BrewWIZARD, BUNN Espresso, BUNN Family Gourmet, BUNN Gourmet, BUNN Pour-O-Matic, BUNN, BUNN with the stylized red line, BUNNlink, Bunn-O-Matic, Bunn-O-Matic, BUNNserve, BUNNSERVE with the stylized wrench design, Cool Froth, DBC, Dr. Brew stylized Dr. design, Dual, Easy Pour, EasyClear, EasyGard, FlavorGard, Gourmet Ice, Gourmet Juice, High Intensity, iMIX, Infusion Series, Intellisteam, My Café, Phase Brew, PowerLogic, Quality Beverage Equipment Worldwide, Respect Earth, Respect Earth with the stylized leaf and coffee cherry design, Safety-Fresh, savemycoffee.com, Scale-Pro, Silver Series, Single, Smart Funnel, Smart Hopper, SmartWAVE, Soft Heat, SplashGard, The Mark of Quality in Beverage Equipment Worldwide, ThermoFresh, Titan, trifacta, TRIFECTA (stylized logo), Velocity Brew, Air Brew, Beverage Bar Creator, Beverage Profit Calculator, Brew better, not bitter., Build-A-Drink, BUNNSource, Coffee At Its Best, Cyclonic Heating System, Daypart, Digital Brewer Control, Element, Milk Texturing Fusion, Nothing Brews Like a BUNN, Picture Prompted Cleaning, Pouring Profits, Signature Series, Sure Tamp, Tea At Its Best, The Horizontal Red Line, Ultra are either trademarks or registered trademarks of Bunn-O-Matic Corporation. The commercial trifacta® brewer housing configuration is a trademark of Bunn-O-Matic Corporation.

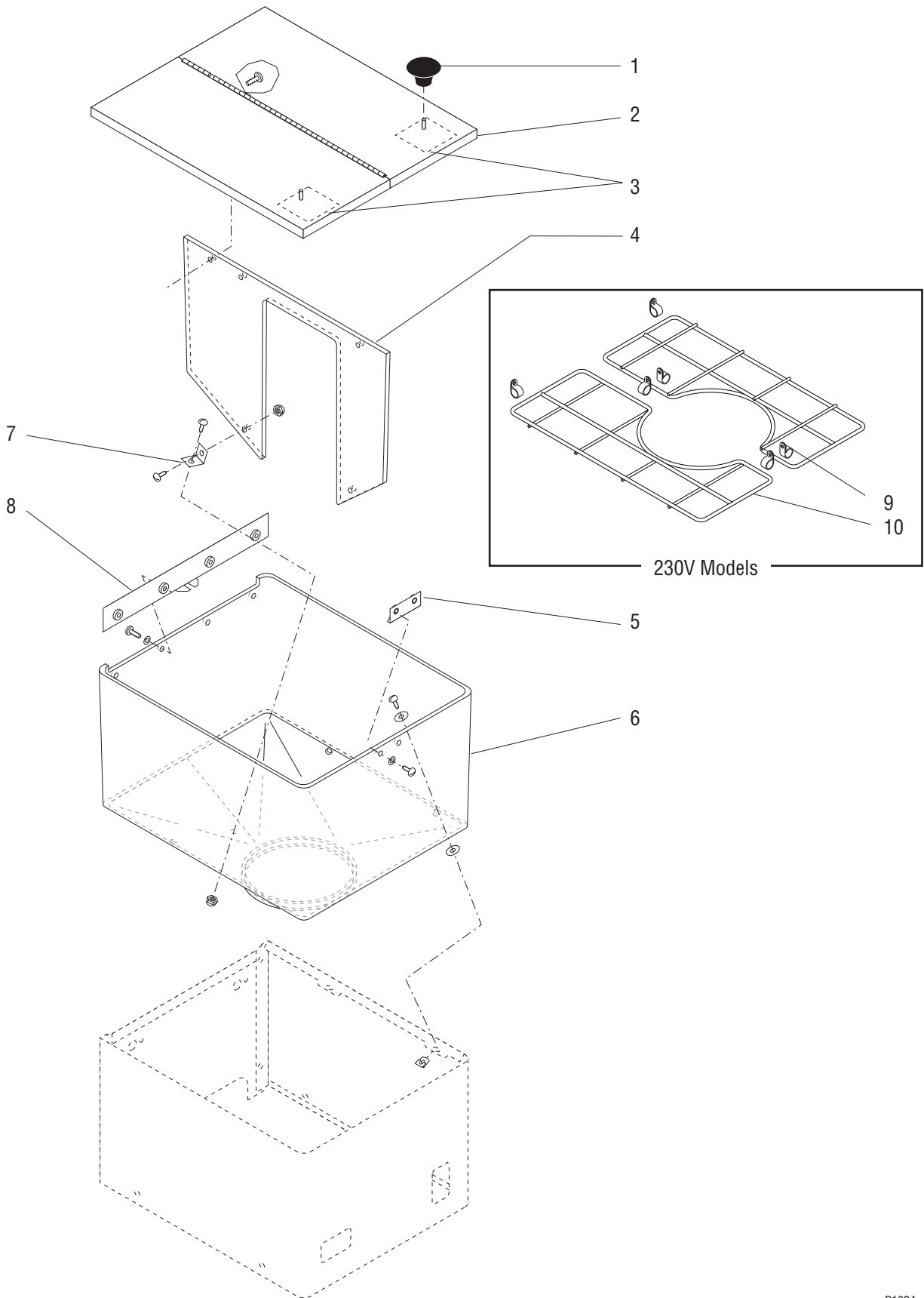
# TABLE OF CONTENTS

TITLE	PAGE NO.
Electrical and Operating Controls .....	12
Hopper and Lid Assembly .....	6
Housing and Panels .....	4
Motor, Burr Housing and Components.....	14
Numerical Index.....	16
Solenoid and Components (Early Models) .....	8
Solenoid and Components (Late Models) .....	10



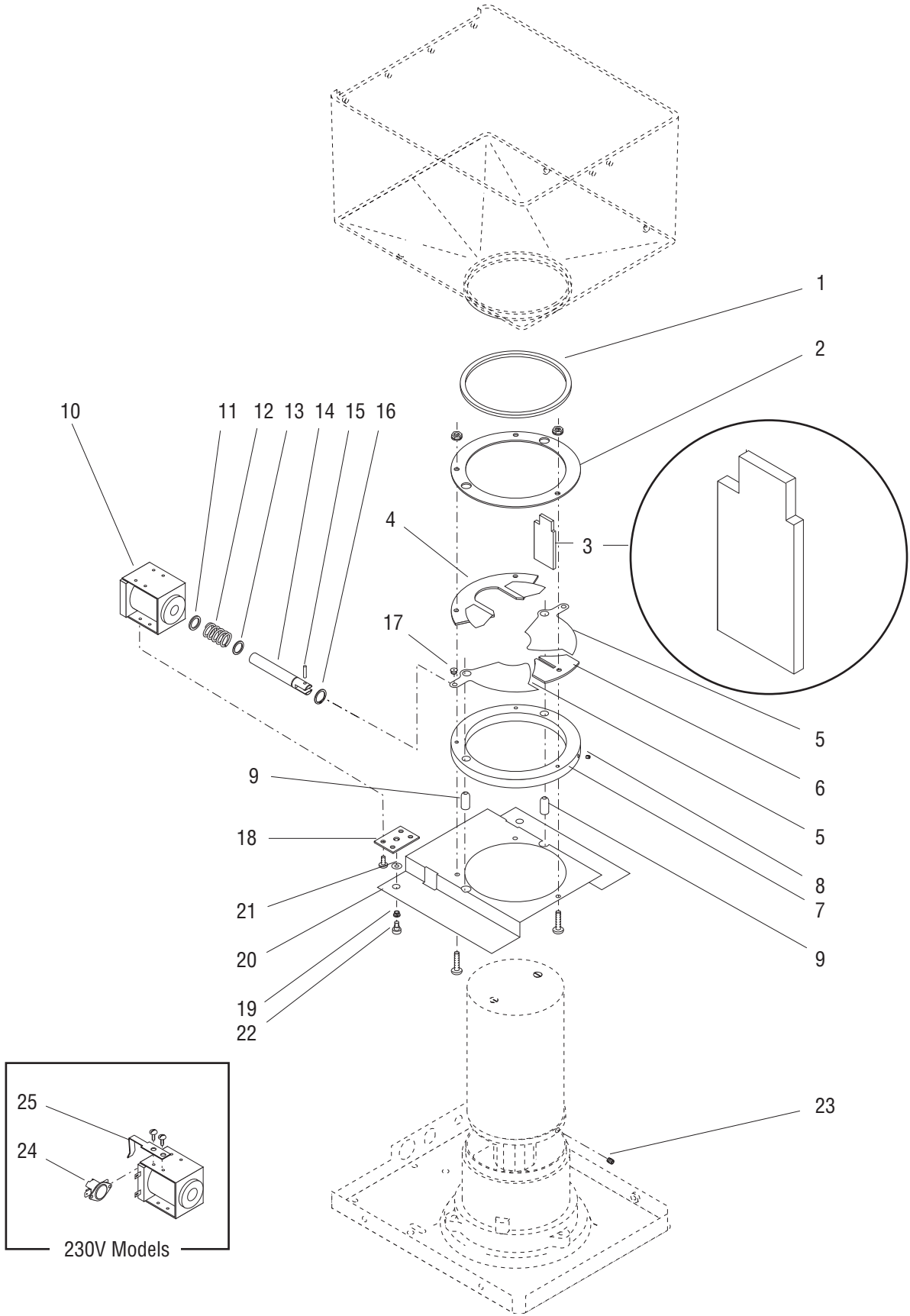
## HOUSING AND PANELS

ITEM	PART NO.	QTY.	DESCRIPTION
1	20617.1014	1	Panel W/Decal, Rear 120V (Includes item 3)
	20617.1016	1	Panel W/Decal, Rear 230V (Includes item 3)
	01315.0000	4	Screw, Truss Head #8-32 x .38"
	00917.0000	4	Fastener, "J" Type #8
2	36706.0000	1	Schematic, Electrical (120V only)
3	37881.0000	1	Decal, No Serviceable Parts
4	36455.1000	1	Housing, Hopper (Includes item 5)
	01311.0000	4	Screw, Truss Head #8-32 x .25"
5	29975.0000	1	Membrane Switch
6	20585.0001	1	Support, Motor
	02308.0000	3	Screw, Pan Head Serrated #8-32 x .38"
7	36512.0000	1	Outlet Funnel
	02311.0000	3	Screw, Hex Head w/serrated washer #10-32 x .50"
8	05839.0000	2	Rail, Funnel
	02308.0000	4	Screw, Pan Head Serrated #8-32 x .38"
9	20591.1003	1	Housing W/Decals, Trunk (Includes item 10)
10	20545.0000	1	Decal, Warning - Electrical
11	20592.0003	1	Base
	01311.0000	4	Screw, Truss Head, Locking #8-32 x .25"
12	20704.0001	2	Pad, Base W/Adhesive Back 6.38"
13	20704.0002	2	Pad, Base W/Adhesive Back 2.50"



## HOPPER AND LID ASSEMBLY

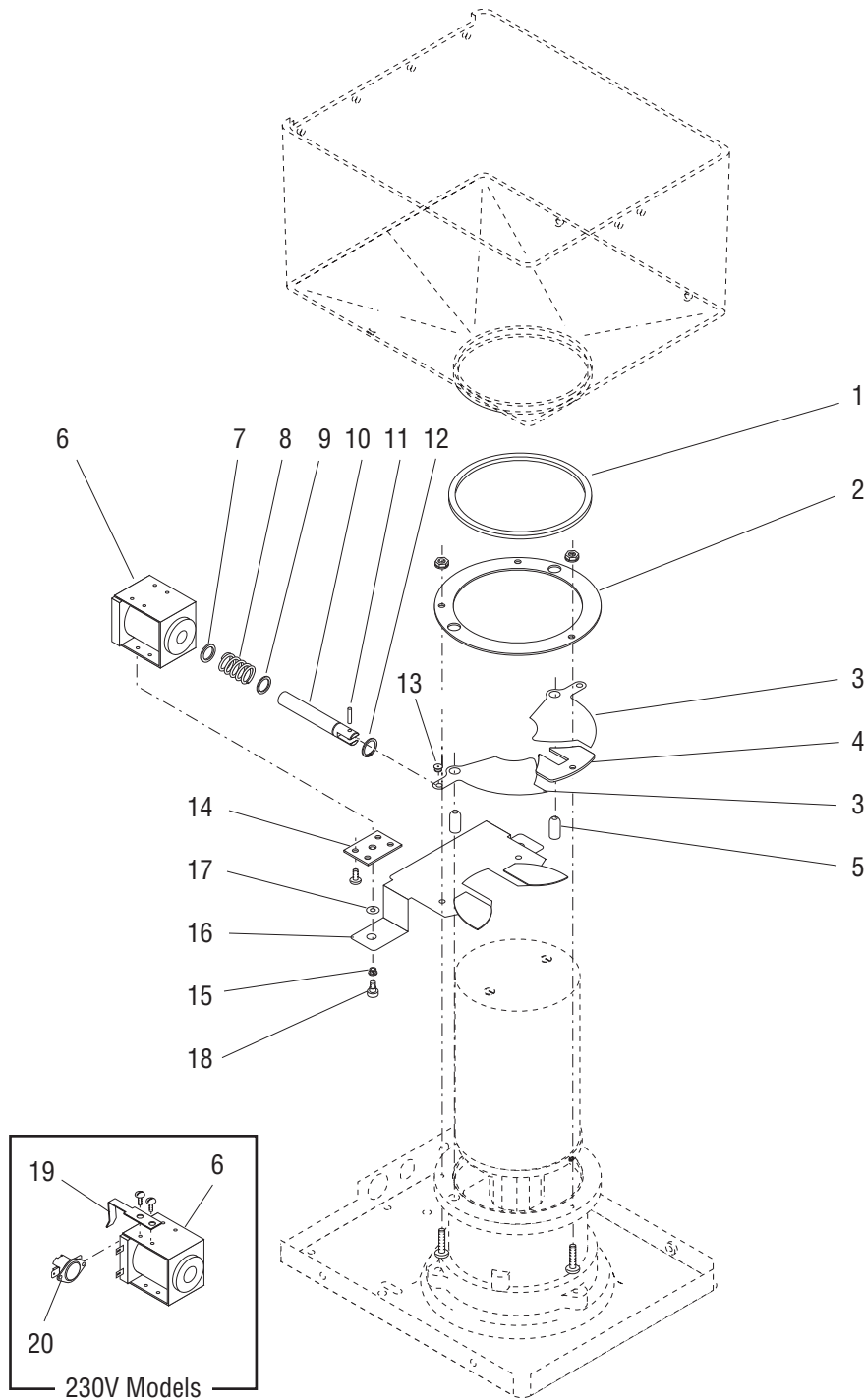
ITEM	PART NO.	QTY.	DESCRIPTION
-	27076.1000	1	Hopper/Lid Assy (120V models)(Includes items 1 thru 8)
	27076.1001	1	Hopper/Lid Assy (120V models)(Includes items 1 thru 10)
1	00725.0000	2	Knob, Hopper Lid
2	26855.1000	1	Lid & Hinge Assy W/ Decals, Hopper (Includes item 3)
	02328.0000	3	Screw, Pan Head Locking 6-32 x .38" (120V models)
	01388.0000	2	Screw, Truss Head 6-32 x .75" } 230V models
	00991.0002	2	Nut, Elastic Lock 6-32 }
3	05876.0000	2	Decal, Caution
4	25997.0000	1	Divider, Hopper
	01317.0000	2	Screw, Truss Head 8-32 x .50"
	00991.0000	2	Nut, Elastic Lock 8-32
5	25994.0000	1	Brace, Divider
	01315.0000	2	Screw, Truss Head 8-32 x .38"
	01516.0000	2	Washer, Nylon-Retainer 8 x .312" O.D.
6	20751.0003	1	Hopper
	01315.0000	4	Screw, Truss Head 8-32 x .3/8"
	01516.0001	8	Washer, Nylon-Retainer 8 x .50" O.D.
	00917.0000	4	Fastener, "J" Type 8
7	20694.0000	2	Bracket, Divider Mounting
	01317.0000	2	Screw, Truss Head 8-32 x .50"
	00991.0000	2	Nut, Elastic Lock 8-32
8	25996.0000	1	Bracket, Hopper Filler
	01315.0000	4	Screw, Truss Head 8-32 x .38"
	01516.0000	4	Washer, Nylon-Retainer 8 x .312" O.D.
9	00603.0001	6	Clip
	02367.0000	2	Screw, Truss Head 6-32 x .62" } 230V models
	01516.0000	2	Washer, Nylon }
	00991.0002	2	Nut, Elastic Lock 6-32 }
10	27101.0002	2	Guard, Hopper Burr





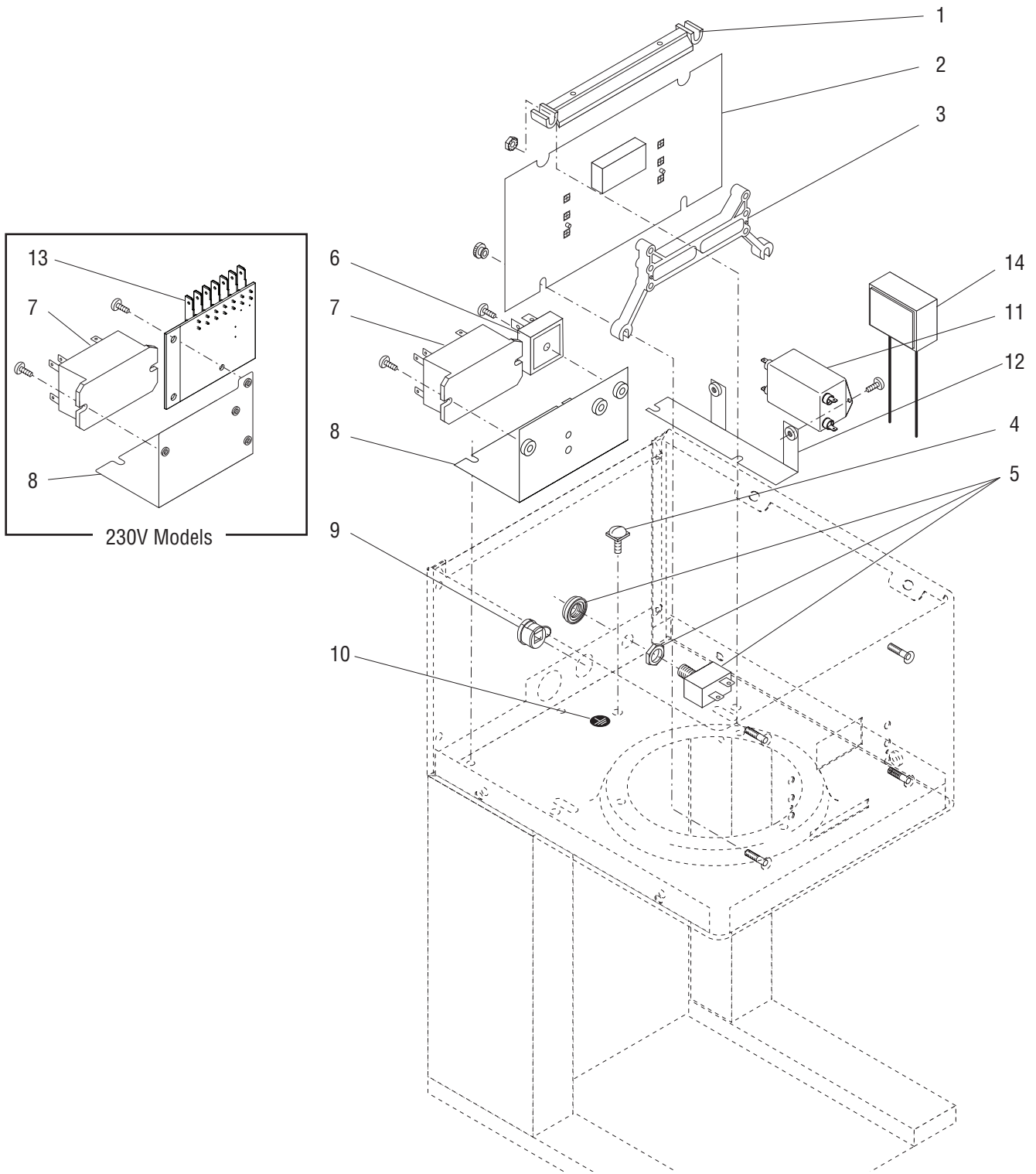
## SOLENOID AND COMPONENTS (Early Models)

ITEM	PART NO.	QTY.	DESCRIPTION
1	20611.0000	1	Gasket, Motor/Hopper
2	23976.0000	1	Ring, Retaining
	01370.0000	3	Screw, Pan Head #8-32 x .75"
	00970.0000	3	Nut, Keps #8-32
3	-----	1	Divider, Burr Housing (Replacement Not Available)
4	-----	1	Plate, Filler (Replacement Not Available)
5	23978.0000	2	Plate, Slide
6	-----	1	Plate, Spacer (Replacement Not Available)
7	-----	1	Ring, Mounting (Replacement Not Available)
8	-----	1	Setscrew, Cup Point #10-32 x .38" (Replacement Not Available)
9	27089.0000	2	Pin, Dowel
10	05939.0000	2	Solenoid Assembly 120V
	05939.0007	2	Solenoid Assembly 100V
	05939.0004	2	Solenoid Assembly 230V
	01311.0000	8	Screw, Truss Head #8-32 x .25"
11	23923.0000	2	Washer .063" Thick
12	27087.0000	2	Spring
13	23922.0000	2	Washer .035" Thick
14	27086.0000	2	Plunger, Solenoid
15	02858.0000	2	Pin, Spring .125" Dia.
16	23919.0000	2	Ring, Snap
17	26033.0001	2	Bearing, Snap-in
18	23975.0000	2	Bracket, Solenoid Mounting
19	21438.0002	2	Washer, Shoulder .203" I.D.
20	23982.0000	1	Plate, Solenoid Mounting
21	27088.0000	2	Washer, Nylon
22	24457.0000	2	Screw, Shoulder #8-32 x .125" Long
23	21484.0000	1	Setscrew, Burr Housing Divider Retaining, Cup Point #8-32 x .38" (Early Models)
24	23917.0000	2	Limit Thermostat 230V
25	36335.0000	2	Clip, Limit Thermostat
	01311.0000	4	Screw, Truss Head #8-32 x .25"



## SOLENOID AND COMPONENTS (Late Models)

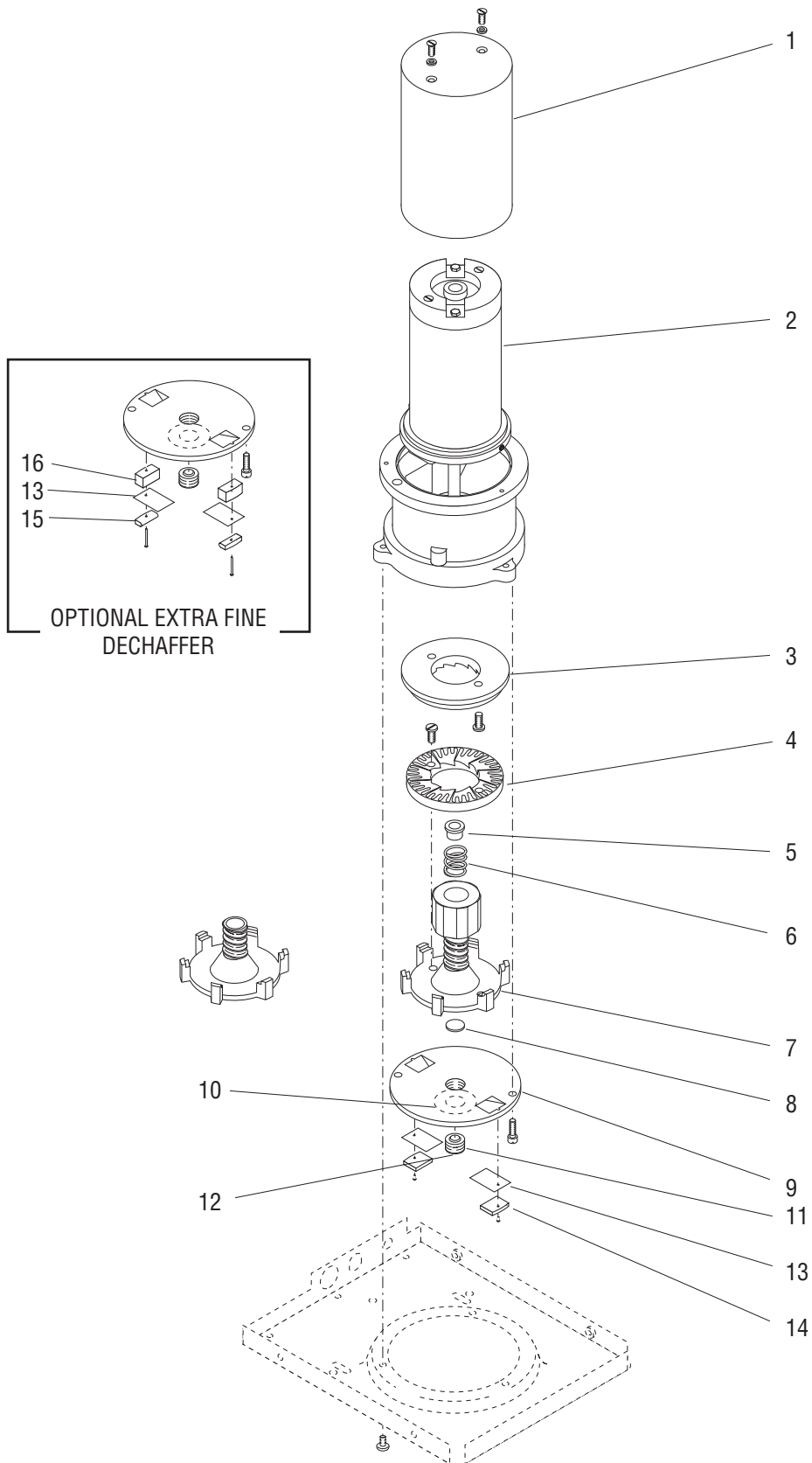
ITEM	PART NO.	QTY.	DESCRIPTION
1	20611.0001	1	Gasket, Motor/Hopper
2	23976.0000	1	Ring, Retaining
	02308.0000	3	Screw, Pan Head #8-32 x .38"
3	23978.0001	2	Plate, Slide
4	39297.0000	1	Spacer
5	27089.0000	2	Pin, Dowel
6	05939.0005	2	Solenoid & Bracket Assembly 120V
	05939.0006	2	Solenoid & Bracket Assembly w/leads (LPGA-2E, 230V)
	05939.0007	2	Solenoid & Bracket Assembly 100V
	01311.0000	8	Screw, Truss Head #8-32 x .25"
7	23923.0000	2	Washer .063" Thick
8	27087.0000	2	Spring
9	23922.0000	2	Washer .035" Thick
10	27086.0000	2	Plunger, Solenoid
11	02858.0001	2	Pin, Spring .125" Dia.
12	23919.0000	2	Ring, Snap
13	26033.0001	2	Bearing, Snap-in
14	23975.0000	2	Bracket, Solenoid Mounting
15	21438.0002	2	Washer, Shoulder .203" I.D.
16	38877.0001	1	Bracket
17	27088.0000	2	Washer, Nylon
18	24457.0000	2	Screw, Shoulder #8-32 x .125" Long
19	36335.0000	2	Clip (230V)
	01311.0000	4	Screw, Truss Head #8-32 x .25"
20	23917.0000	2	Limit Thermostat (230V)



## ELECTRICAL AND OPERATING CONTROLS

ITEM	PART NO.	QTY.	DESCRIPTION
1	29970.0001	1	Mount
	00973.0000	2	Nut, Keps #6-32
2	29972.1000	1	Control Board 120V
	38724.0003	1	Control Board 240V
	00973.0000	2	Nut, Keps #6-32
3	32156.0000	1	Spacer
4	01309.0000	1	Screw, Pan Head W/Terminal Washer #10-32 x .50" (120V models)
	01327.0000	1	Screw, Pan Head #10-32 x .38" } 230V models
	01502.0000	1	Lockwasher, Split #10 }
5	20987.1000	1	Circuit Breaker, 3 Amp
6	22126.0000	1	Rectifier, Bridge Sgl Phase (120V models)
	01338.0000	1	Screw, Truss Head #8-32 x .62"
7	37711.0000	1	Relay 120V
	37711.0001	1	Relay 230V
	02308.0000	2	Screw, Pan Head Serrated #8-32 x .38"
8	36693.0000	1	Bracket, Component Mounting (120V models)
	36693.0001	1	Bracket, Component Mounting (230V models)
9	00707.0000	1	Bushing, Strain Relief (120V models)
	01685.0000	1	Bushing, Strain Relief (230V models)
10	00824.0002	1	Decal, Ground
11	29446.0010	1	EMI Filter (230V models)
	02328.0000	2	Screw, pan Head, Locking #6-32 x .375"
12	39005.0000	1	Bracket, EMI Filter (230V models)
13	46911.1000	1	Circuit Board, Power Filter (230V models)
	02308.0000	2	Screw, Pan Head Serrated #8-32 x .38"
14	34808.0005	1	Capacitor (230V models)
15	20630.0001	1	Cord Assy, Power (100V & 120V models)
	33529.0010	1	Cord Assy, Power (230V models)
16	36708.0000	1	Harness, Wiring (120V models)
	36708.0002	1	Harness, Wiring (230V models)
17	35260.0000	1	Cable Mount, Adhesive
18	00927.0000	1	Fastener, Cable Clip (230V models)
19	36371.0000	1	Wiring Harness, Slide Gate (230V models)
20	43384.0001	2	Filter, Ferrite EMI (230V models)
21	48816.0000	1	Lead, Circuit Board to EMI Filter (230V models)
22	00617.0000	1	Cable Tie

Not Illustrated



## MOTOR, BURR HOUSING AND COMPONENTS

ITEM	PART NO.	QTY.	DESCRIPTION
1	20576.1001	1	Cover, Motor
	46032.0000	2	Screw, Hex Head #8-32 x .625"
	01547.0000	2	Spacer
2	-----	1	Motor & Housing (Early Models. Order Late model motor and solenoid mounting kit 39572.0000)
	25909.1005	1	Motor & Housing Assy (Includes Terminals)(100V & 120V)(Late Models)
	25909.1006	1	Motor & Housing Assy (Includes Terminals)(230V)
	01326.0000	3	Screw, Truss Head #10-32 x .25"
3	-----	1	Burr, Upper (Order item 17)
	20669.0000	2	Screw, Binding Head #10-32 x .29"
4	-----	1	Burr, Lower (Order item 17)
	20669.0000	2	Screw, Binding Head #10-32 x .29"
5	20667.0000	1	Bushing, Spring Retainer
6	20666.0000	1	Spring, Burr Rotor
7	26043.0000	1	Rotor Assy (Includes item 6)
8	20670.0000	1	Disc, Load
9	20673.1000	1	Cap, Burr Housing (Includes item 10)
	20672.0000	2	Screw, Fillister Head #10-32 x .62"
10	05880.0002	1	Decal, Grind Indicator
11	20671.1000	1	Screw, Burr Adjusting (Includes item 12)
12	05796.0000	1	Decal, Adjusting Screw
13	20588.0000	2	Spring Plate, Dechaffing
14	20572.0000	2	Support, Dechaffer
	44827.0000	2	Screw, Pan Head #4-40 x .438"
15	33223.0000	2	Support, Dechaffer
	02336.0001	2	Screw, Truss Head #4-40 x .31"
16	33222.0000	2	Support, Dechaffer
17	05861.1002	-	Burr Kit (Includes items 3, 4 and Mounting Screws)
18	20620.0001	1	Burr Adjuster (Not Illustrated)

} Optional. Models with  
Extra Fine Dechaffer.

# NUMERICAL INDEX

PART NO.	PAGE NO.	PART NO.	PAGE NO.	PART NO.	PAGE NO.	PART NO.	PAGE NO.
00603.0001.....	7	20671.1000.....	15	37881.0000.....	5		
00617.0000.....	13	20672.0000.....	15	38724.0003.....	13		
00707.0000.....	13	20673.1000.....	15	38877.0001.....	11		
00725.0000.....	7	20694.0000.....	7	39005.0000.....	13		
00824.0002.....	13	20704.0001.....	5	39297.0000.....	11		
00917.0000.....	5,7	20704.0002.....	5	43384.0002.....	13		
00927.0000.....	13	20751.0003.....	7	44827.0000.....	15		
00970.0000.....	9,11	20987.1000.....	13	46032.0000.....	15		
00973.0000.....	13	21438.0002.....	9,11	46911.1000.....	13		
00991.0000.....	7	21484.0000.....	9	48816.0000.....	13		
00991.0002.....	7	22126.0000.....	13				
01309.0000.....	13	23917.0000.....	9,11				
01311.0000.....	5,9,11	23919.0000.....	9,11				
01315.0000.....	5,7	23922.0000.....	9,11				
01317.0000.....	7	23923.0000.....	9,11				
01326.0000.....	15	23975.0000.....	9,11				
01327.0000.....	13	23976.0000.....	9,11				
01338.0000.....	13	23978.0000.....	9				
01370.0000.....	9,11	23978.0001.....	11				
01388.0000.....	7	23982.0000.....	9				
01502.0000.....	13	24457.0000.....	9,11				
01516.0000.....	7	25909.1006.....	15				
01516.0001.....	7	25994.0000.....	7				
01547.0000.....	15	25996.0000.....	7				
01685.0000.....	13	25997.0000.....	7				
02308.0000.....	5,13	26033.0001.....	9,11				
02311.0000.....	5	26043.0000.....	15				
02328.0000.....	7,15	26855.1000.....	7				
02336.0001.....	15	27076.1000.....	7				
02367.0000.....	7	27076.1001.....	7				
02858.0001.....	9,11	27086.0000.....	9,11				
05796.0000.....	15	27087.0000.....	9,11				
05839.0000.....	5	27088.0000.....	9,11				
05861.1002.....	15	27089.0000.....	9,11				
05876.0000.....	7	27101.0002.....	7				
05880.0002.....	15	29446.0010.....	13				
05939.0000.....	9,11	29970.0001.....	13				
05939.0004.....	9,11	29972.1000.....	13				
05939.0007.....	9,11	29975.0000.....	5				
20545.0000.....	5	32156.0000.....	13				
20572.0000.....	15	33222.0000.....	15				
20576.1001.....	15	33223.0000.....	15				
20585.0001.....	5	33529.0010.....	13				
20588.0000.....	15	34808.0005.....	13				
20591.1003.....	5	35260.0000.....	13				
20592.0003.....	5	36335.0000.....	9,11				
20611.0000.....	9	36371.0000.....	13				
20611.0001.....	11	36455.1000.....	5				
20617.1014.....	5	36512.0000.....	5				
20617.1016.....	5	36693.0000.....	13				
20620.0001.....	15	36693.0001.....	13				
20630.0001.....	13	36706.0000.....	5				
20666.0000.....	15	36708.0000.....	13				
20667.0000.....	15	36708.0002.....	13				
20669.0000.....	15	37711.0000.....	13				
20670.0000.....	15	37711.0001.....	13				