
BUNN®

JDF-2



DISCONTINUED VERSION
Parts listed in this catalog
may no longer be available.



ILLUSTRATED PARTS CATALOG

Designs, materials, weights, specifications, and dimensions for equipment or replacement parts are subject to change without notice.

BUNN-O-MATIC CORPORATION

POST OFFICE BOX 3227

SPRINGFIELD, ILLINOIS 62708-3227

PHONE: (217) 529-6601 FAX: (217) 529-6644

BUNN-O-MATIC COMMERCIAL PRODUCT WARRANTY

Bunn-O-Matic Corp. ("BUNN") warrants equipment manufactured by it as follows:

- 1) All equipment other than as specified below: 2 years parts and 1 year labor.
- 2) Electronic circuit and/or control boards: parts and labor for 3 years.
- 3) Compressors on refrigeration equipment: 5 years parts and 1 year labor.
- 4) Grinding burrs on coffee grinding equipment to grind coffee to meet original factory screen sieve analysis: parts and labor for 3 years or 30,000 pounds of coffee, whichever comes first.

These warranty periods run from the date of installation BUNN warrants that the equipment manufactured by it will be commercially free of defects in material and workmanship existing at the time of manufacture and appearing within the applicable warranty period. This warranty does not apply to any equipment, component or part that was not manufactured by BUNN or that, in BUNN's judgment, has been affected by misuse, neglect, alteration, improper installation or operation, improper maintenance or repair, damage or casualty. This warranty is conditioned on the Buyer 1) giving BUNN prompt notice of any claim to be made under this warranty by telephone at (217) 529-6601 or by writing to Post Office Box 3227, Springfield, Illinois 62708-3227; 2) if requested by BUNN, shipping the defective equipment prepaid to an authorized BUNN service location; and 3) receiving prior authorization from BUNN that the defective equipment is under warranty.

THE FOREGOING WARRANTY IS EXCLUSIVE AND IS IN LIEU OF ANY OTHER WARRANTY, WRITTEN OR ORAL, EXPRESS OR IMPLIED, INCLUDING, BUT NOT LIMITED TO, ANY IMPLIED WARRANTY OF EITHER MERCHANTABILITY OR FITNESS FOR A PARTICULAR PURPOSE. The agents, dealers or employees of BUNN are not authorized to make modifications to this warranty or to make additional warranties that are binding on BUNN. Accordingly, statements by such individuals, whether oral or written, do not constitute warranties and should not be relied upon.

If BUNN determines in its sole discretion that the equipment does not conform to the warranty, BUNN, at its exclusive option while the equipment is under warranty, shall either 1) provide at no charge replacement parts and/or labor (during the applicable parts and labor warranty periods specified above) to repair the defective components, provided that this repair is done by a BUNN Authorized Service Representative; or 2) shall replace the equipment or refund the purchase price for the equipment.

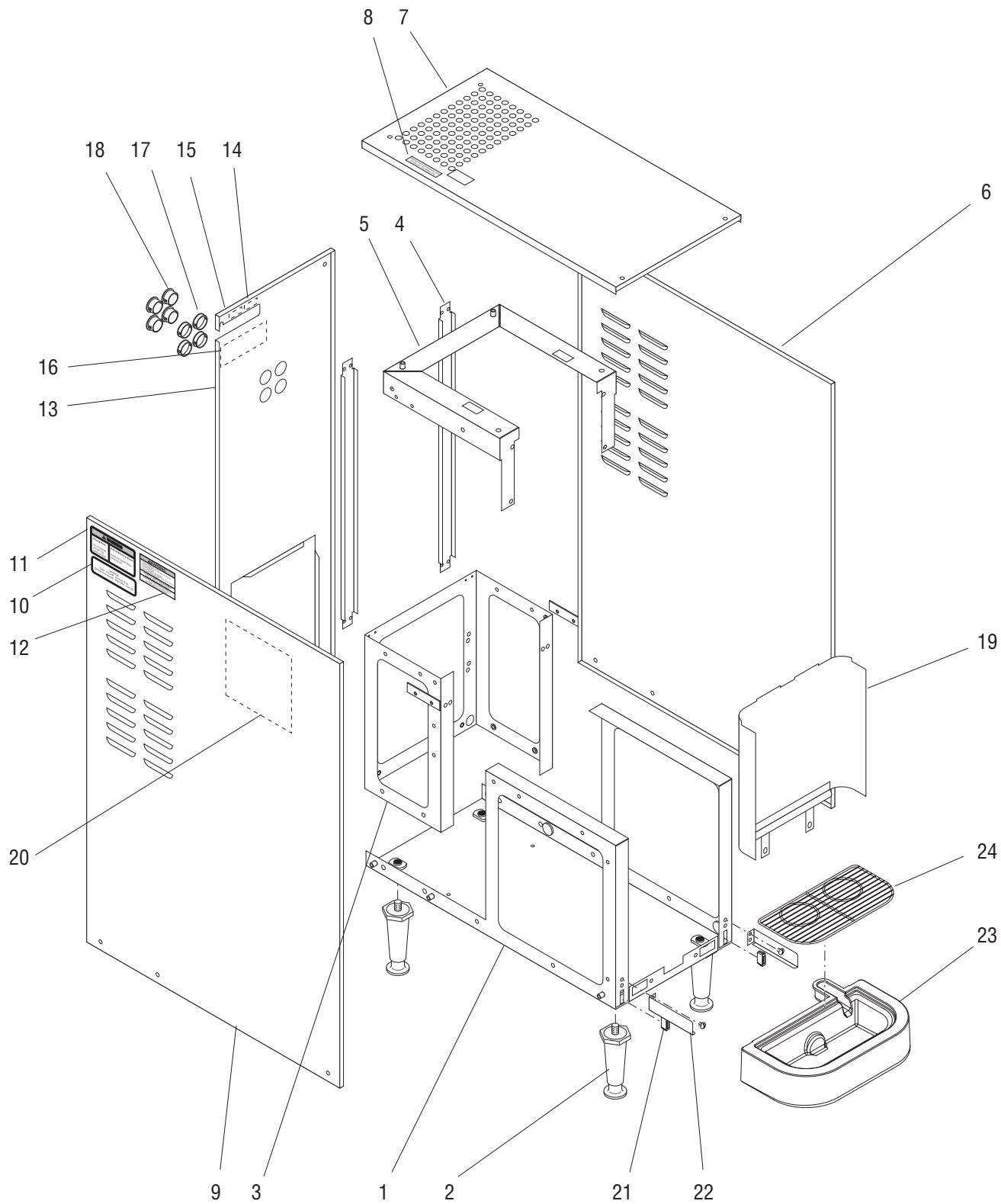
THE BUYER'S REMEDY AGAINST BUNN FOR THE BREACH OF ANY OBLIGATION ARISING OUT OF THE SALE OF THIS EQUIPMENT, WHETHER DERIVED FROM WARRANTY OR OTHERWISE, SHALL BE LIMITED, AT BUNN'S SOLE OPTION AS SPECIFIED HEREIN, TO REPAIR, REPLACEMENT OR REFUND.

In no event shall BUNN be liable for any other damage or loss, including, but not limited to, lost profits, lost sales, loss of use of equipment, claims of Buyer's customers, cost of capital, cost of down time, cost of substitute equipment, facilities or services, or any other special, incidental or consequential damages.

BUNN, and JDF-2 are either trademarks or registered trademarks of Bunn-O-Matic Corporation.

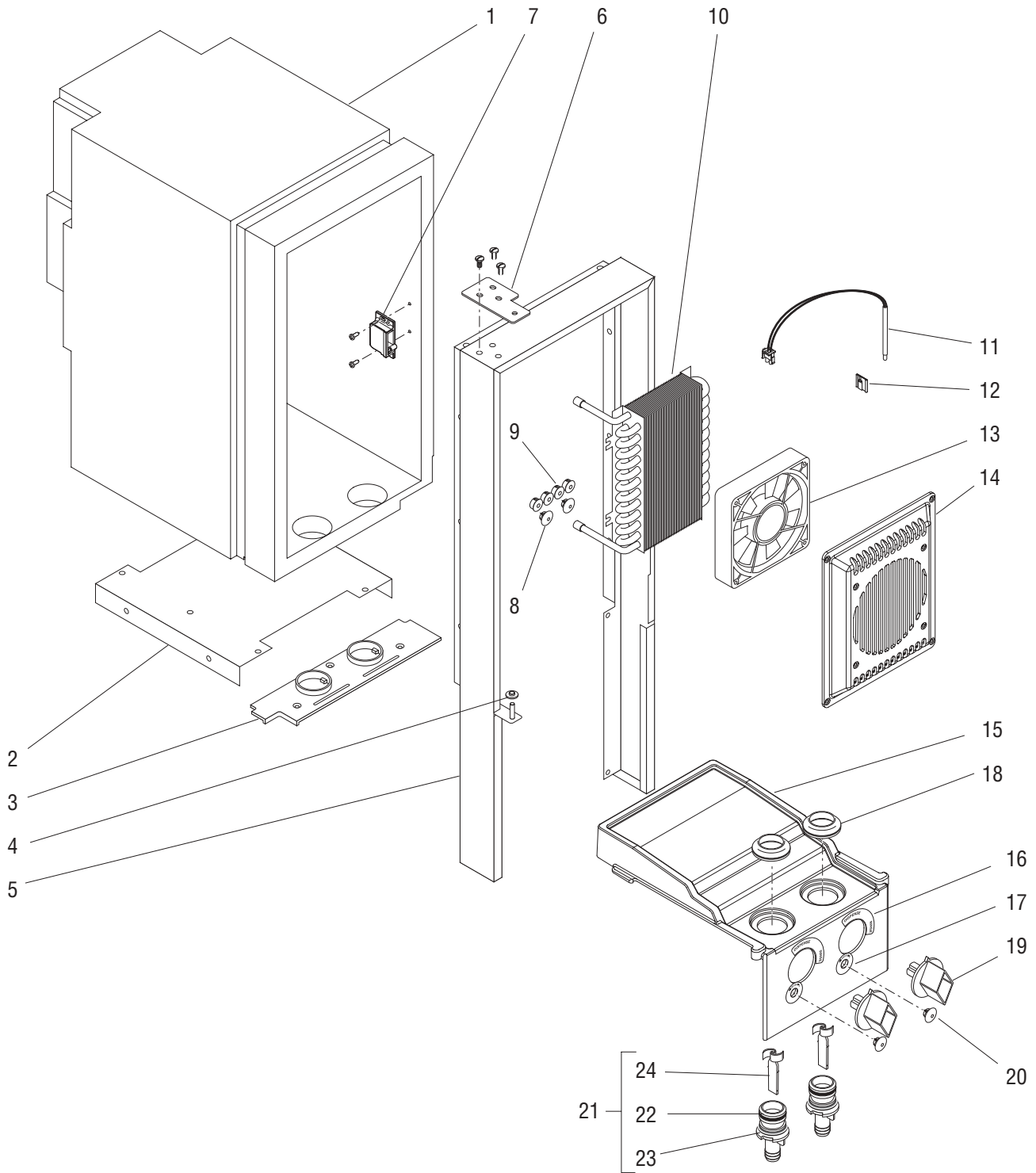
TABLE OF CONTENTS

Main Frame & Covers	4
Upper Cabinet & Panels	6
Refrigeration Components	8
Fan Assembly	10
Water Tank Assy	12
Circulation Pump & Lines	16
Product Coil & Lines	18
Dispense Platform Assy	20
Dispense Valve Assy	22
Plain Water Manifold (Early Models)	24
Plain Water Manifold (Late Models)	26
Rinse Water Manifold & Solenoid (Early Models)	28
Rinse Water Manifold & Solenoid (Late Models)	32
Pump Assy	36
Bottle Adapter Assy	40
Door Assy	42
Electrical Components	46
Refillable Container Assy	50
Numerical Index	52



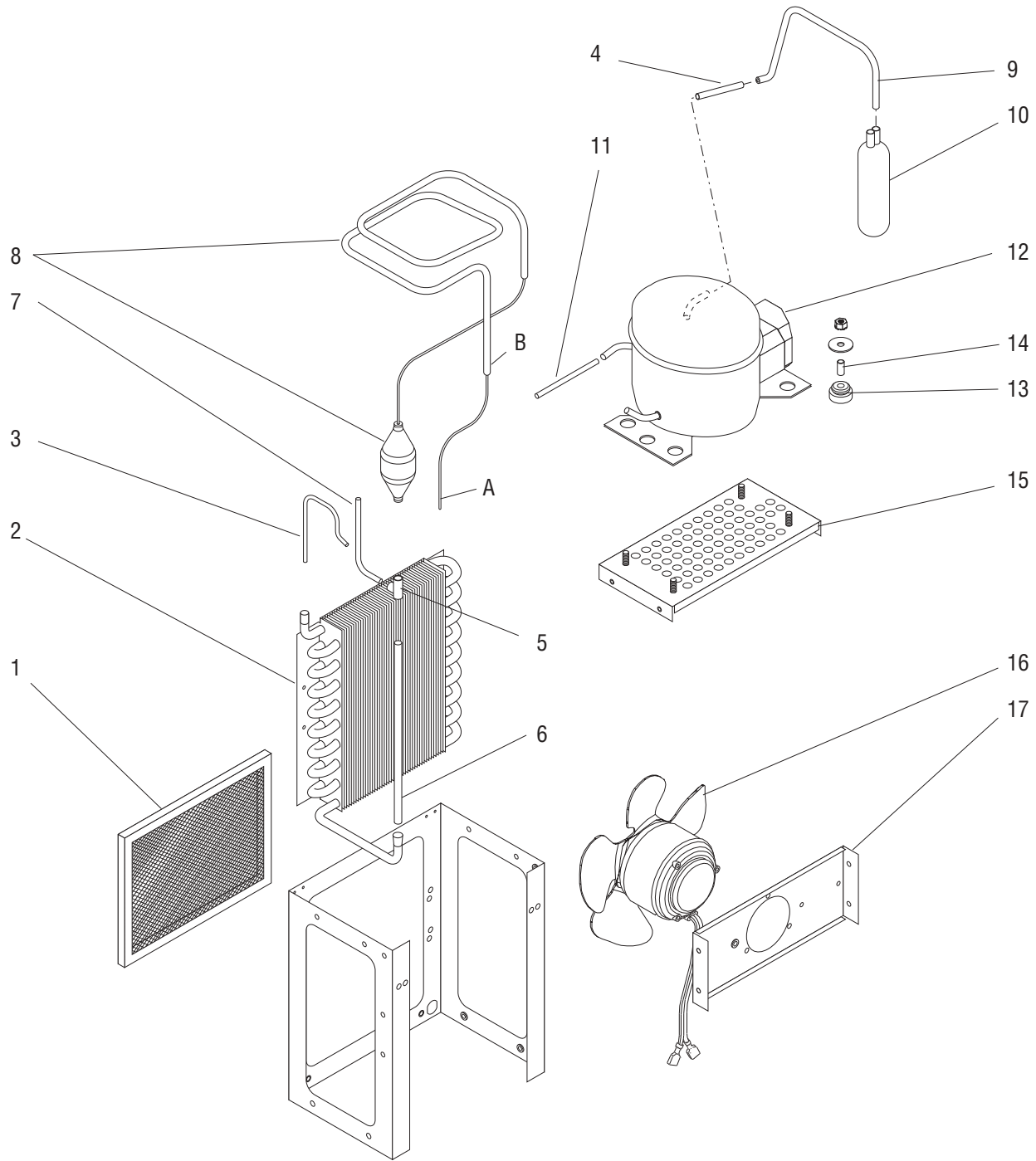
MAIN FRAME & COVERS

ITEM	PART NO.	QTY.	DESCRIPTION
1	34409.0000	1	Base Frame Assy
2	26528.0000	4	Leg
	03996.0000	4	Pad, Non-skid
3	34410.0000	1	Frame, Refridgeration
	-----	4	Screw #10-32 x
4	34797.0000	2	Bracket, Rear support
	02332.0001	8	Screw, Crimptite #6 x .25"
5	34871.0000	1	Bracket, Upper Frame
6	34788.1000	1	Panel w/Decals, Right (Includes item 11)
	02332.0001	3	Screw, Crimptite #6 x .25"
7	34786.1000	1	Panel w/Decals, Top (Includes item 8)
	02332.0001	4	Screw, Crimptite #6 x .25"
8	33458.0000	1	Decal, Refridgeration ON - OFF
9	34787.1000	1	Panel w/Decals, 120V Left (Includes items 10, 11, 12 & 20)
	34787.1001	1	Panel w/Decals, 230V Left (Includes items 10, 11, 12 & 20)
	02332.0001	3	Screw, Crimptite #6 x .25"
10	33461.0001	1	Decal, Refridgerant Charge
11	27442.0000	2	Decal, Warning - Moving Parts
12	00986.0002	1	Decal, Warning - Electrical
13	34789.1000	1	Panel w/Decals, Rear (Includes items 14, 15 & 16)
	02332.0001	4	Screw, Crimptite #6 x .25"
14	33645.0000	1	Decal, Main Water Connection
15	33646.0000	1	Decal, Rinse Water Connection
16	00656.0000	1	Decal, Comply To Plumbing Code
17	27354.0000	4	Bushing
18	00668.0000	4	Plug
19	35018.0000	1	Panel, Splash
	01317.0003	2	Screw, Truss Head, Locking #8-32 x .38"
20	35277.0000	1	Electrical Schematic 120V
	35277.0001	1	Electrical Schematic 230V
21	21436.0000	2	Catch, Magnetic
22	33538.0000	1	Bracket, Right
	33539.0000	1	Bracket, Left
	01311.0001	4	Screw, Truss Head, Locking #8-32 x .25"
23	33528.0000	1	Drip Tray
24	34994.0000	1	Grate, Drip Tray



UPPER CABINET & PANELS

ITEM	PART NO.	QTY.	DESCRIPTION
1	----- 24544.0000	1 16	Cabinet (Not serviced) Screw, Pan Head #8-18
2	34738.0000 -----	1 4	Plate, Cabinet Mounting Screw
3	34784.0000 01359.0000	1 3	Plate, Bottom Closure Screw, Flat Head #8-32 x .38"
4	34362.0000	1	Bushing, Lower Hinge
5	34790.0000 -----	1 4	Wrap Screw
6	34785.0000 01327.0000	1 3	Bracket, Hinge Screw, Pan Head #10 -32 x .38"
7	34666.0001 01382.0000	1 2	Catch, Door Latch Screw, Truss Head #6 x .375"
8	27394.0000	2	Plug
9	00669.0002	4	Plug
10	34419.0000 24544.0000	1 4	Coil, Water Screw, Pan Head #8-18
11	27246.0000	1	Sensor Assy, Temperature
12	33669.0000	1	Clip, Adhesive Back
13	33297.0000 00617.0000 24544.0000	1 1 4	Fan Assy. Cable Tie Screw, Pan Head #8-18
14	34421.0000 24544.0000	1 4	Cover, Fan Screw, Pan Head #8-18
15	34422.1000	1	Shelf, Product (Includes items 16 & 17)
16	33459.0003	2	Decal, Dispense/Rinse
17	33459.0002	2	Decal, Flow Adjustment
18	32461.0000	2	Gasket, Drip
19	32455.0000	2	Knob
20	27394.0000	2	Plug
21	32467.1000	2	Nozzle Assy (Includes items 22 - 24)
22	32848.0000	2	O-ring
23	32858.0000	2	Sheild
24	32621.0000 35108.0000	2 2	Mixer, Spiral (Standard) Mixer, Spiral (High Viscosity)
25	M2568.0000	-	Grease, USDA H-1 (Use when assembling items 22,23 & 24)

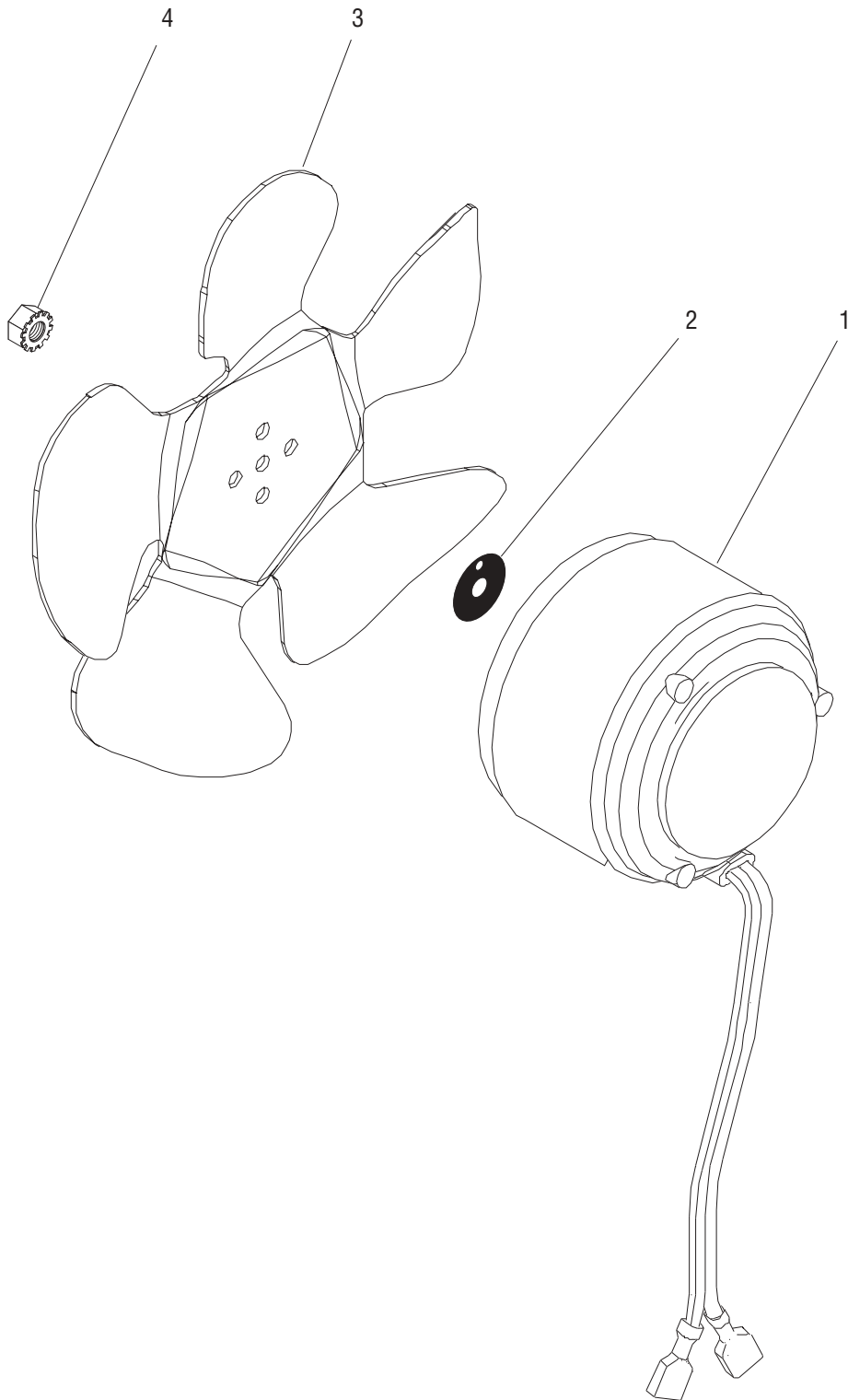


P2703

NOTE: Letters appearing within this illustration correspond to matching connections in other illustrations.

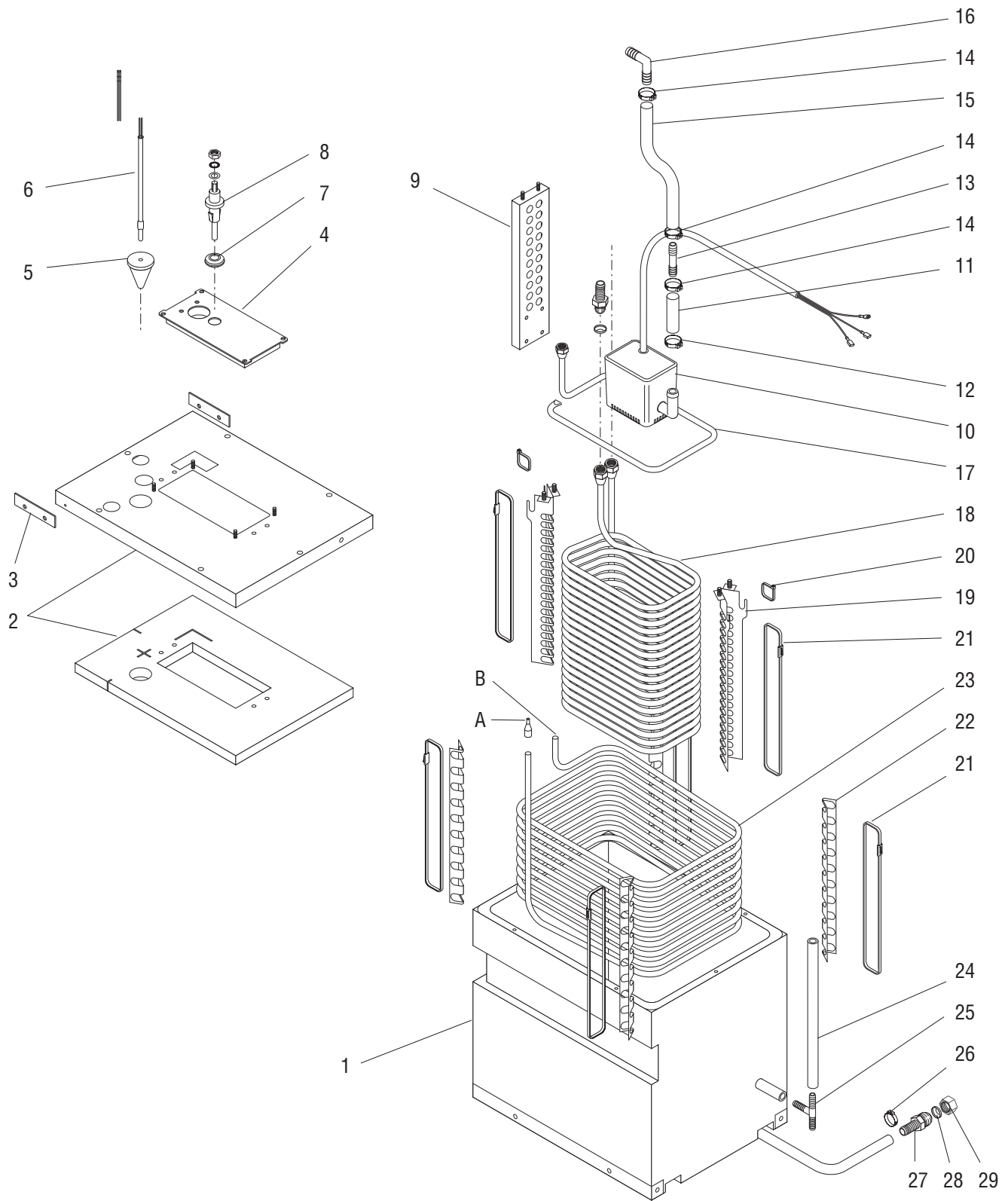
REFRIGERATION COMPONENTS

ITEM	PART NO.	QTY.	DESCRIPTION
1	35164.0000	1	Air Filter
2	29951.0000	1	Condenser
	02335.0001	4	Screw, Crimpite #8 x .38"
3	35180.0001	1	Tube (Requires brazing to install) (Not serviced)
4	35386.0001	1	Tube (Requires brazing to install) (Not serviced)
5	00396.0002	1	Tee (Requires brazing to install) (Not serviced)
6	35385.0001	1	Tube (Requires brazing to install) (Not serviced)
7	35580.0001	1	Tube (Requires brazing to install) (Not serviced)
8	35175.1000	1	Filter Dryer Assy (Requires brazing to install)
9	35179.0001	1	Tube (Requires brazing to install) (Not serviced)
10	32776.0001	1	Accumulator
11	35581.0001	1	Tube (Requires brazing to install) (Not serviced)
12	33522.0000	1	Compressor 120V
	33522.0001	1	Compressor 230V
	21431.0003	4	Washer
	00901.0000	4	Nut .25"-20
13	-----	4	Grommet
14	-----	4	Sleeve
			} Order item 18
15	33536.0000	1	Platform
	01317.0003	4	Screw, Truss Head, Locking #8-32 x .38"
16	-----	1	Fan Assy (See FAN ASSEMBLY)
	27243.0000	3	Screw #8-36 x .437"
17	34418.0000	1	Bracket
	01317.0003	4	Screw, Truss Head, Locking #8-32 x .38"
18	28567.0000	1	Mounting Kit (Includes four each of items 13 & 14)
19	M2332.1000	-	Insulation, Tube 25/50 - 1.6"ID x .50" wall x 6.0 Ft (Use as required)
20	M2316.1000	-	Insulation, Tube 25/50 - 0.5"ID x .38" wall x 6.0 Ft (Use as required)



FAN ASSEMBLY

ITEM	PART NO.	QTY.	DESCRIPTION
-	32204.1001	1	Fan Assy 120V (Includes items 1-4)
	32204.1002	1	Fan Assy 230V (Includes items 1-4)
1	33603.0000	1	Motor Assy 120V
	33603.0001	1	Motor Assy 230V
2	33602.0000	1	Blade, Fan
3	27258.0000	1	Silencer
4	23700.0000	1	Nut .25"-20



NOTE: Letters appearing within this illustration correspond to matching connections in other illustrations.

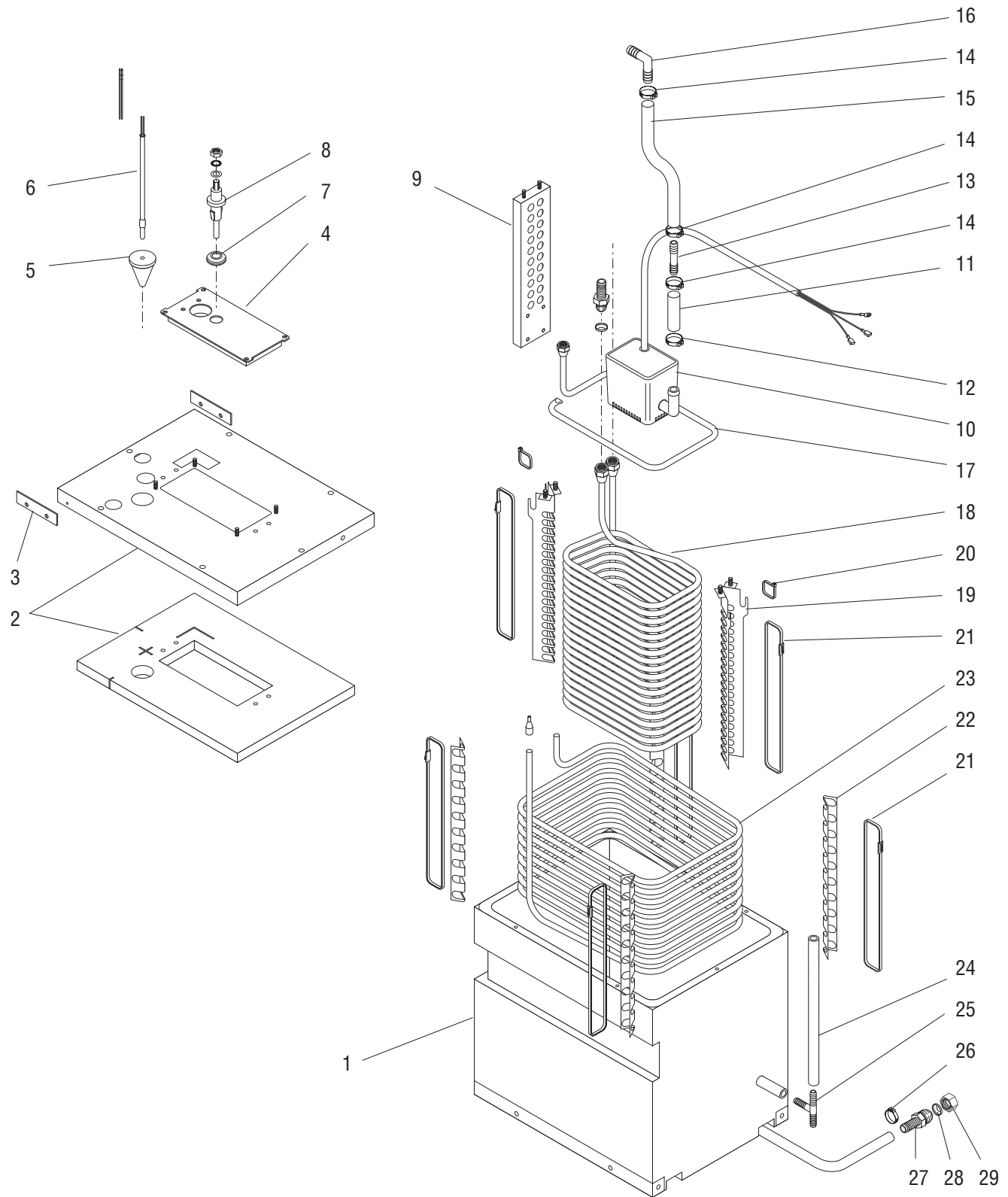
P2705

WATER TANK ASSY

ITEM	PART NO.	QTY.	DESCRIPTION
1	35165.0000	1	Tank Assy
	-----	4	Screw
2	35272.1000	1	Lid Assy
	24544.0000	6	Screw, Pan Head #8-18
3	35526.0000	2	Bracket
	02332.0001	2	Screw, Crimptite #6 x .25"
	01317.0003	2	Screw, Truss Head, Locking #8-32 x .38"
4	34403.1000	1	Panel Assy
	00973.0000	4	Nut, Keps #6-32
5	33801.0000	1	Grommet
6	29327.0000	1	Probe, Temperature & Dry Plug
7	02536.0000	1	Grommet
8	20936.0001	1	Probe, Liquid Level
	01522.0000	1	Washer
	20203.0100	1	Lockwasher, Internal-tooth #8
	00908.0000	1	Nut #8-32
9	34414.1000	1	Bracket
	00973.0000	4	Nut, Keps #6-32
10	29837.1000	1	Pump Assy 120V
	29837.1001	1	Pump Assy 230V
	02361.0000	4	Screw, Pan Head #4-40 x .25"
11	-----	1	Tube, Silicone .38" ID x 1.75" (Order item 30)
12	21275.0005	1	Clamp .63" - .73"
13	34644.0001	1	Connector
14	21275.0004	3	Clamp .54" - .64"
15	-----	1	Tube, Silicone .625" OD x 6.0" (Order item 31)
16	33623.0000	1	Elbow .38" Barb
17	35106.0000	1	Manifold, Return Water
18	35132.0000	1	Product Coil
19	34416.0000	2	Spacer
	00973.0000	4	Nut, Keps #6-32
20	00617.0000	2	Cable Tie, 3.9"
21	32734.0001	6	Cable Tie, 28.0"
22	33533.0000	4	Spacer
23	33519.0000	1	Evaporator Coil

(Continued)

(Continued)

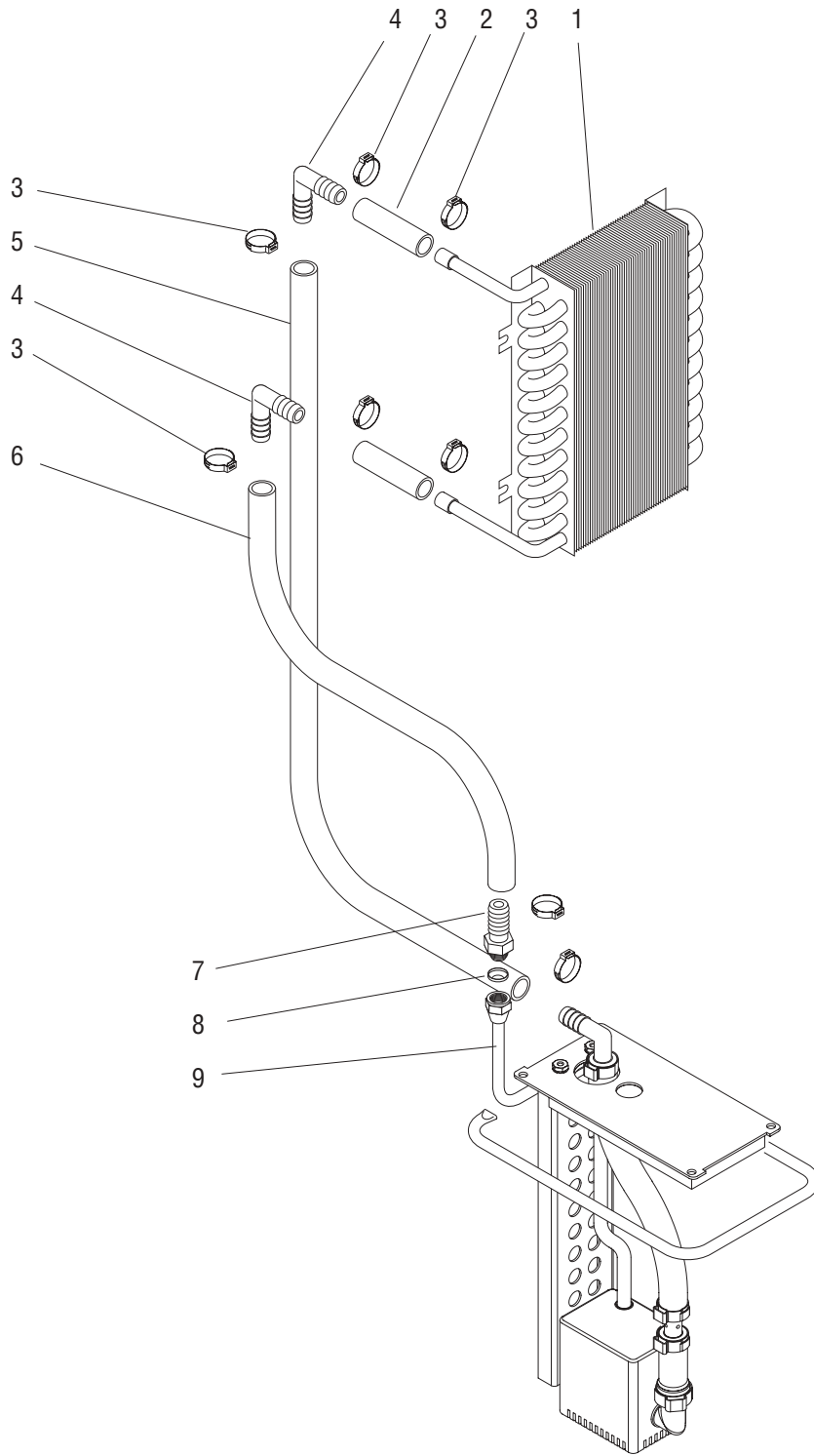


NOTE: Letters appearing within this illustration correspond to matching connections in other illustrations.

P2705

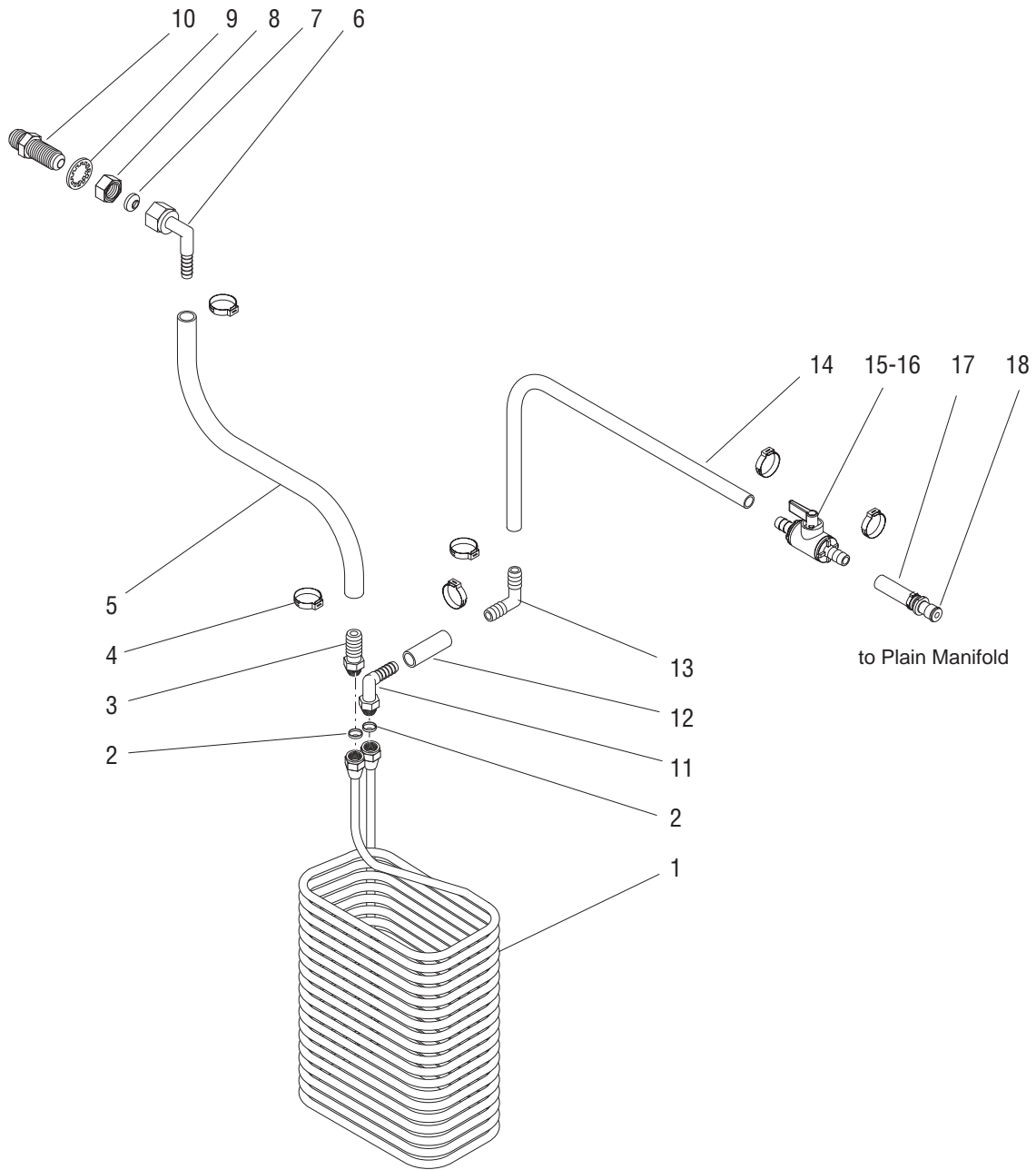
WATER TANK ASSY

ITEM	PART NO.	QTY.	DESCRIPTION
24	-----	1	Tube, Clear .25" x 8.0" (Not serviced)
25	32760.0000	1	Tee
26	21275.0006	1	Clamp .40" - .50"
27	35174.0000	1	Fitting
28	33149.0000	1	Gasket
29	00976.0000	1	Cap
30	33159.1002	1	Tube, Silicone .38" ID x 120.0" (Cut to required length)
31	34325.1002	1	Tube, Silicone .625" OD x 120.0" (Cut to required length)



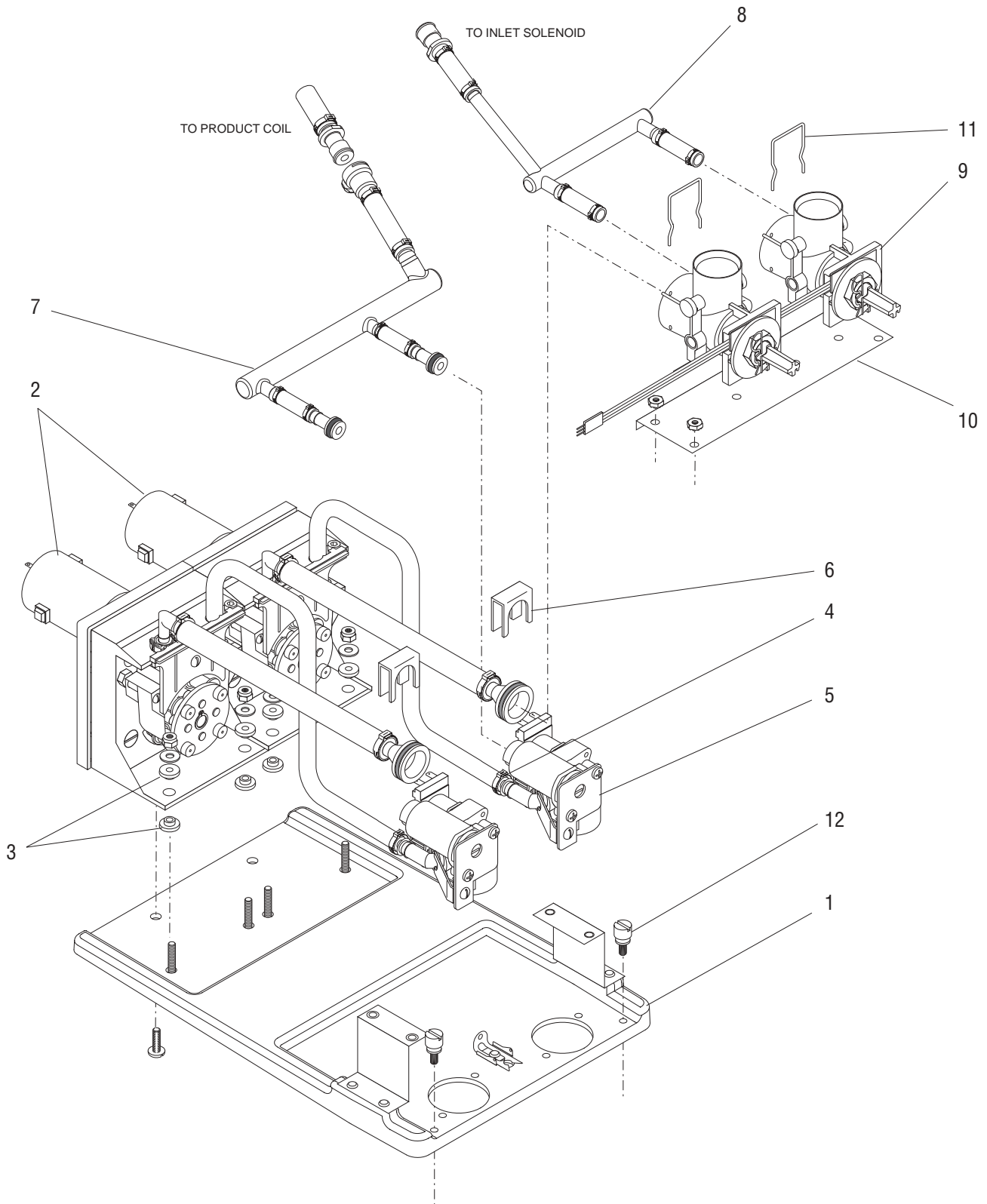
CIRCULATION PUMP & LINES

ITEM	PART NO.	QTY.	DESCRIPTION
1	-----	1	Coil, Upper Cabinet (See UPPER CABINET & PANELS)
2	-----	2	Tube, Silicone .38" ID x 1.5" (Order item 10)
3	21275.0004	8	Clamp .54" - .64"
4	33623.0000	2	Elbow .38" Barb
5	-----	1	Tube, Silicone .38" ID x 17.0" (Order item 10)
6	-----	1	Tube, Silicone .38" ID x 10.0" (Order item 10)
7	35173.0000	1	Fitting .312" FI x .375" Barb
8	33149.0000	1	Gasket
9	-----	1	Manifold, Return Water (See WATER TANK ASSEMBLY)
10	32759.1002	-	Tube, Silicone .38" ID x 120.0" (Cut to required length)



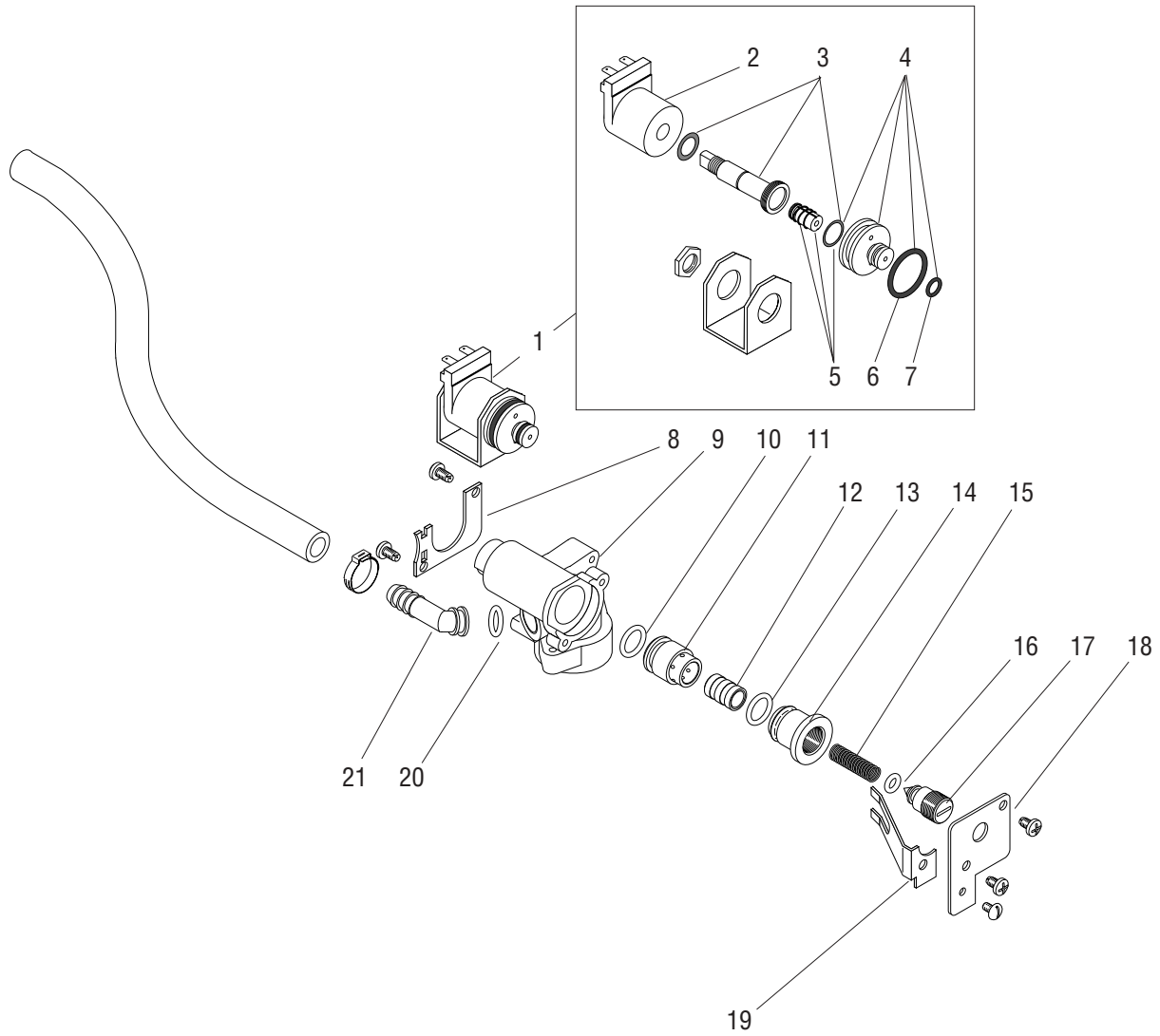
PRODUCT COIL & LINES

ITEM	PART NO.	QTY.	DESCRIPTION
1	-----	1	Product Coil (See WATER TANK ASSEMBLY)
2	35305.0000	2	Gasket
3	35173.0000	1	Fitting .312" FI x .375" Barb
4	21275.0004	8	Clamp .54" - .64"
5	-----	1	Tube, Silicone .38" ID x 17.0" (Order item 19)
6	33151.0000	1	Fitting, Elbow .38" Barb
7	33149.0000	1	Gasket
8	12757.0000	1	Nut
9	01514.0000	1	Lockwasher
10	12756.0000	1	Fitting, Bulkhead
11	35172.0000	1	Fitting, Elbow .312" FI x .375" Barb
12	-----	1	Tube, Silicone .38" ID x 1.5" (Order item 19)
13	33623.0000	1	Elbow .38" Barb
14	-----	1	Tube, Silicone .38" ID x 10.5" (Order item 19)
15	35171.0000	1	Valve, Shut Off
16	34540.0000	1	Decal, Caution - Close
17	-----	1	Tube, Silicone .38" ID x 1.5" (Order item 19)
18	34462.0000	1	Coupling, Quick Disconnect, Male
19	32759.1002	1	Tube, Silicone .38" ID x 120.0" (Cut to required length)
20	M2324.1000	-	Insulation, Tube 25/50 - 0.5"ID x .38" wall x 6.0 Ft (Use as required)



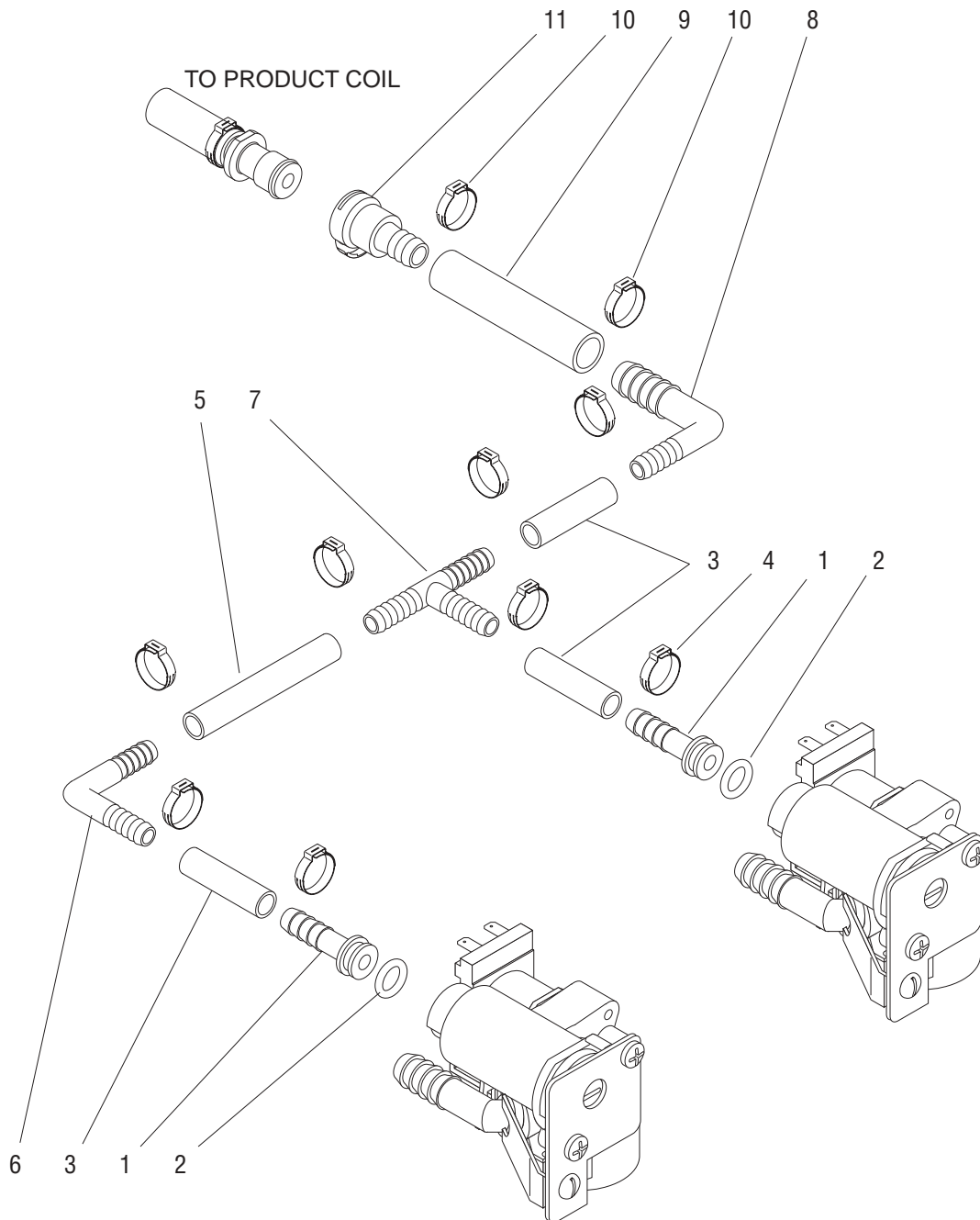
DISPENSE PLATFORM ASSEMBLY

ITEM	PART NO.	QTY.	DESCRIPTION
1	-----	1	Platform Assy (Includes items 2 - 16)
2	-----	2	Pump Assy (See PUMP ASSY)
	01338.0000	2	Screw, Truss Head #8-32 x .625"
	01522.0000	4	Washer
	00991.0000	4	Nut, Elastic Lock #8-32
3	32957.0001	8	Bushing, Rubber
4	21275.0006	4	Clamp .40" - .50"
5	32755.0000	2	Dispense Valve (See DISPENSE VALVE)
	32860.0000	4	Screw, Pan Head #8-18 x .312"
6	32857.0000	2	Clip
7	-----	1	Manifold, Plain Water (See PLAIN WATER MANIFOLD)
8	-----	1	Manifold, Rinse Water (See RINSE WATER MANIFOLD)
9	32756.0000	2	Bottle Adapter (See BOTTLE ADAPTER)
	32860.0000	4	Screw, Pan Head #8-18 x .312"
10	34905.0000	1	Plate
	00973.0001	4	Nut, Keps #8-32
11	32458.0000	2	Clip, Retainer
12	28062.0000	2	Thumbscrew
The following items are not illustrated			
13	35189.0000	1	Harness, Dispense Platform
14	35181.0000	1	Harness, Dispense Valve
15	-----	4	Cable Tie (Not serviced)
16	12422.0000	2	Clamp



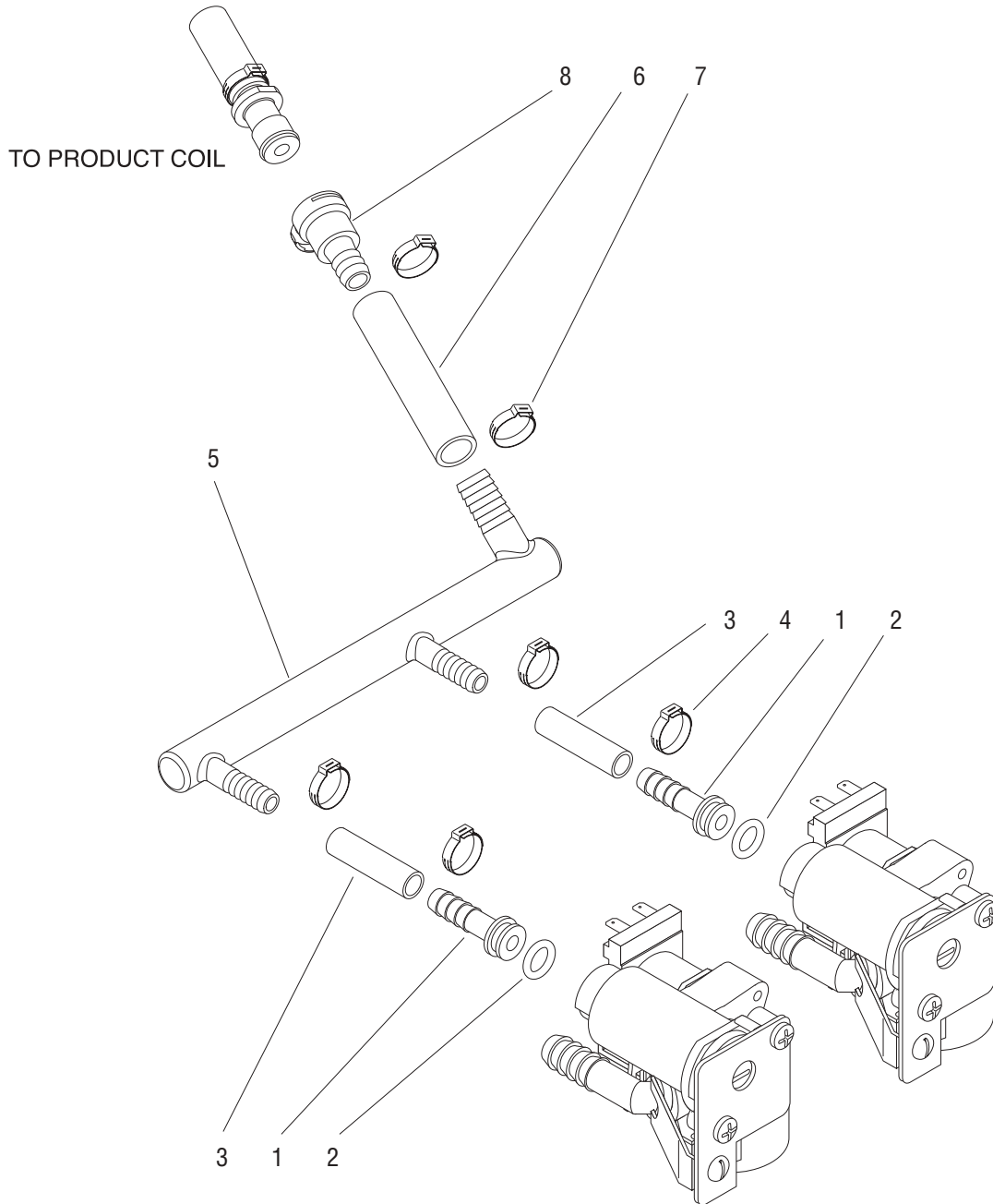
DISPENSE VALVE ASSEMBLY

ITEM	PART NO.	QTY.	DESCRIPTION
-	32755.0000	1	Dispense Valve Assy (Includes items 1 - 22)
1	32252.0000	1	Valve, Solenoid (Includes items 2 - 7)
2	33554.0000	1	Solenoid Valve Coil
3	28481.0000	1	Guide Kit (Includes Guide, Washer and O-ring)
4	33585.0000	1	Solenoid Valve Base Kit (Includes O-ring and items 6 & 7)
5	01111.0002	1	Solenoid Valve Repair Kit (Includes Plunger, Spring and O-ring)
6	33580.0000	1	O-ring
7	33553.0000	1	O-ring
8	32855.0000	1	Bracket
	32860.0000	2	Screw #8-18 x .312"
9	32622.0000	1	Body
10	32852.0000	1	O-ring (Also use item 22)
11	32603.0000	1	Sleeve
12	32602.0000	1	Piston
13	33725.0000	1	O-ring (Also use item 22)
14	32624.0000	1	Bonnet, Adjuster
15	32853.0000	1	Spring, Flow Control
16	32851.0000	1	O-ring (Also use item 22)
17	32623.0000	1	Adjuster, Position
18	32856.0000	1	Bracket
	32860.0000	2	Screw #8-18 x .312"
19	33155.0000	1	Bracket, Fitting
	01308.0000	1	Screw #6-32 x .25"
20	32849.0001	1	O-ring (Also use item 22)
21	32655.0000	1	Fitting, Elbow
22	M2568.0000	-	Grease, USDA H-1 (Use when assembling items 10,13,16 & 20)



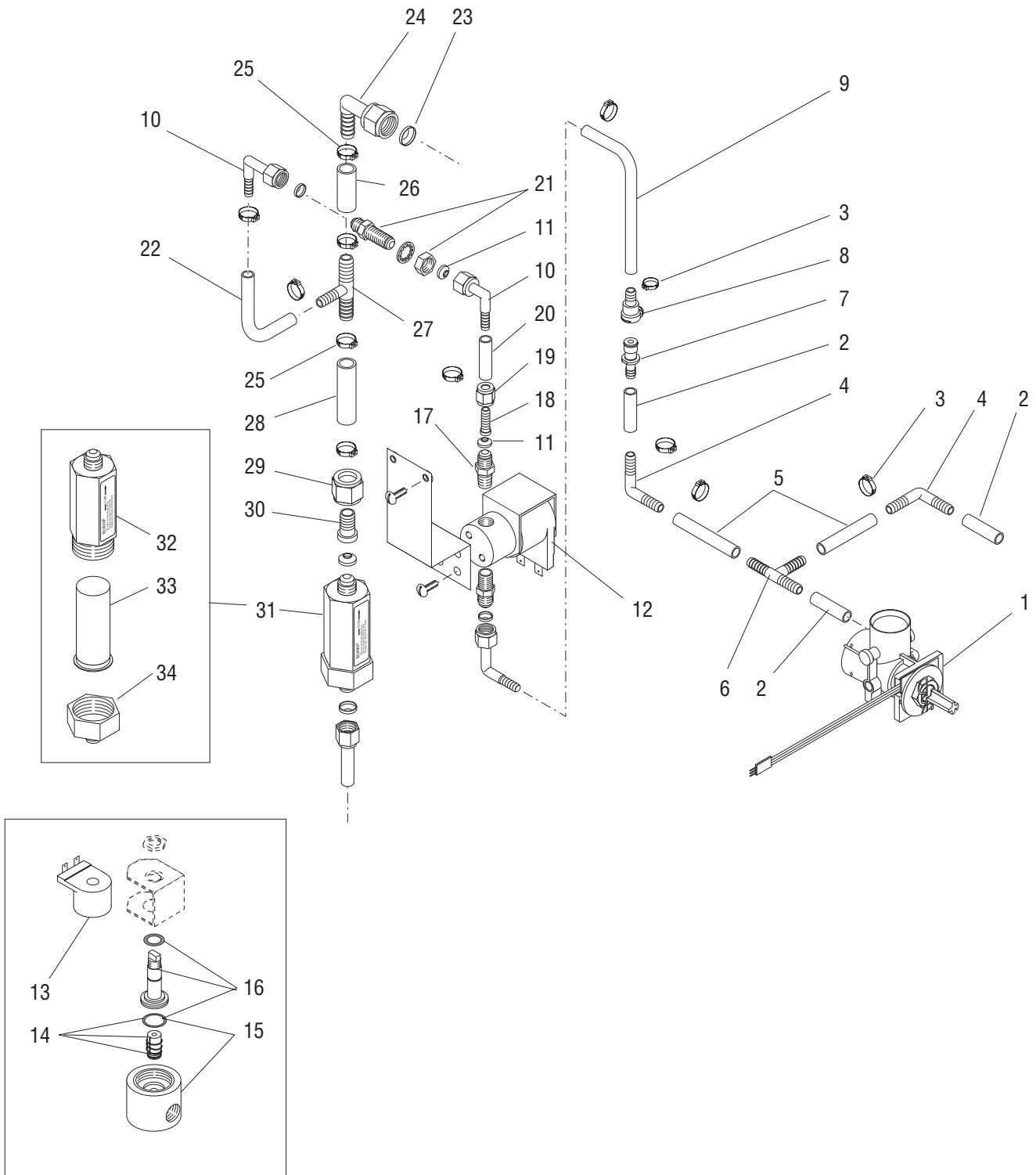
PLAIN WATER MANIFOLD (Early Models)

ITEM	PART NO.	QTY.	DESCRIPTION
1	32631.0000	2	Fitting, Straight
2	32849.0001	2	O-ring
3	-----	3	Hose .25" ID x 1.25" (Order item 12)
4	21275.0006	8	Clamp .40 - .50"
5	-----	1	Hose .25" ID x 2.25" (Order item 12)
6	32761.0000	1	Elbow .25" Barb
7	32760.0000	1	Tee .25" Barb
8	32753.0000	1	Elbow .25" Barb x .375" Barb
9	-----	1	Hose .38" ID x 1.25" (Order item 13)
10	21275.0004	2	Clamp .54 - .64"
11	34463.0000	1	Coupling, Quick Disconnect, Female
12	32745.1002	1	Hose .25" ID x 120.0" (Cut to required length)
13	32759.1002	1	Hose .38" ID x 120.0" (Cut to required length)



PLAIN WATER MANIFOLD (Late Models)

ITEM	PART NO.	QTY.	DESCRIPTION
1	32631.0000	2	Fitting, Straight
2	32849.0001	2	O-ring
3	-----	2	Hose .25" ID x 1.25" (Order item 12)
4	21275.0006	4	Clamp .40 - .50"
5	36204.0000	1	Manifold, Plain SST
6	-----	2	Hose .38" ID x 1.25" (Order item 13)
7	21275.0004	2	Clamp .54 - .64"
8	34463.0000	1	Coupling, Quick Disconnect, Female
12	32745.1002	1	Hose .25" ID x 120.0" (Cut to required length)
13	32759.1002	1	Hose .38" ID x 120.0" (Cut to required length)

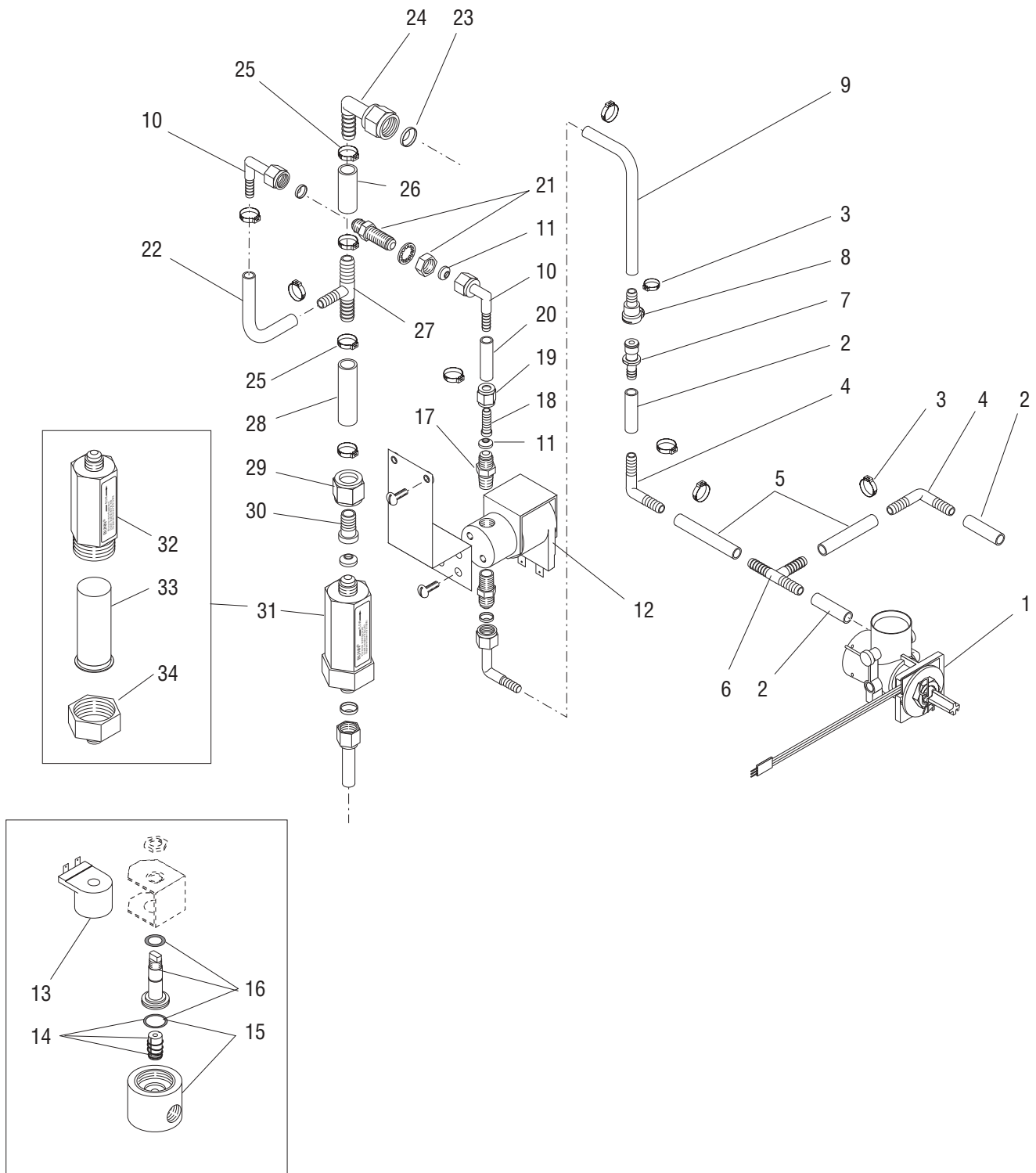


RINSE WATER MANIFOLD & SOLENOID (Early Models)

ITEM	PART NO.	QTY.	DESCRIPTION
1	32756.0000	2	Bottle adapter (See BOTTLE ADAPTER)
2	-----	3	Hose .25" ID x .44" OD x 1.25" (Order item 35)
3	21275.0006	16	Clamp .40" - .50"
4	32761.0000	2	Elbow .25" Barb
5	-----	2	Hose .25" ID x .44" OD x 2.25" (Order item 35)
6	32760.0000	1	Tee .25" Barb
7	34460.0000	1	Fitting, Quick Disconnect, Male
8	34461.0000	1	Fitting, Quick Disconnect, Female
9	-----	1	Hose .25" ID x .44" OD x 15.75" (Order item 35)
10	33151.0001	3	Fitting, Elbow .25" Barb
11	33149.0001	4	Gasket
12	01085.0002	1	Solenoid Valve 120V (Includes items 13 - 16)
	28005.0000	1	Solenoid Valve 230V (Includes items 13- 15)
	01327.0000	2	Screw, Pan Head #10-32 x .38"
13	28480.0000	1	Coil, Solenoid 120V
	28020.0000	1	Coil, Solenoid 230V
14	01111.0002	1	Solenoid Repair Kit (Includes Plunger, Spring and O-ring)
15	28479.0000	1	Solenoid Base Kit 120V (Includes O-ring)
	28021.0000	1	Core Assy Kit 230V
16	28481.0000	1	Guide Kit
17	00402.0001	2	Connector
18	35326.0000	1	Nipple
19	35327.0000	1	Nut
20	-----	1	Hose .25" ID x .44" OD x 1.25" (Order item 35)
21	00459.0000	1	Fitting, Bulkhead
	01532.0000	1	Lockwasher, Internal-tooth .438"
	00463.0000	1	Nut, Hex .375"-20
22	-----	1	Hose .25" ID x .44" OD x 4.0" (Order item 35)
23	33149.0000	1	Gasket
24	33151.0000	1	Fitting, Elbow .38" Barb
25	21275.0004	4	Clamp .54" - .64"
26	-----	1	Hose .38" ID x .595" OD x 1.5" (Order item 36)

(Continued)

(Continued)



RINSE WATER MANIFOLD & SOLENOID (Early Models)

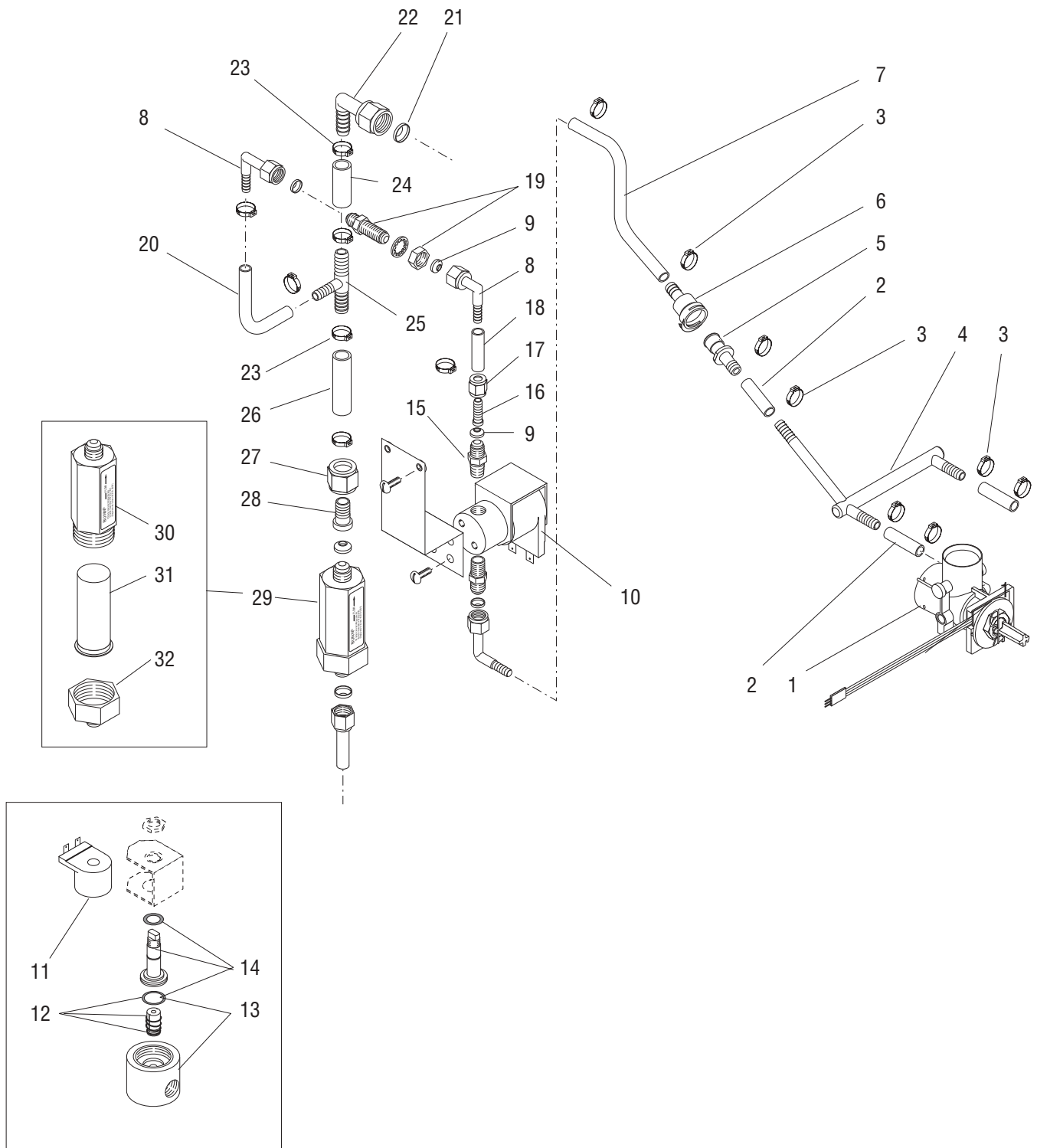
ITEM	PART NO.	QTY.	DESCRIPTION
27	32749.0000	1	Tee .38" Barb x .38" Barb x .25" Barb
28	-----	1	Hose .38" ID x .595" OD x 2.25" (Order item 36)
29	33150.0000	1	Nut
30	33686.0000	1	Nipple
31	23720.1000	1	Strainer Assy (Includes items 32 - 34)
32	-----	1	Housing, Strainer (Order item 31)
33	23721.0000	1	Screen
34	23723.0000	1	End Cap
35	32745.1002	-	Hose .25" ID x .44" OD x 120.0" (Cut to required length)
36	32759.1002	-	Hose .38" ID x .595" OD x 120.0" (Cut to required length)

RINSE WATER MANIFOLD & SOLENOID (Late Models)

ITEM	PART NO.	QTY.	DESCRIPTION
1	32756.0000	2	Bottle adapter (See BOTTLE ADAPTER)
2	-----	3	Hose .25" ID x .44" OD x 1.25" (Order item 33)
3	21275.0006	16	Clamp .40" - .50"
4	36203.0000	1	Manifold. Rinse SST
5	34460.0000	1	Fitting, Quick Disconnect, Male
6	34461.0000	1	Fitting, Quick Disconnect, Female
7	-----	1	Hose .25" ID x .44" OD x 15.75" (Order item 33)
8	33151.0001	3	Fitting, Elbow .25" Barb
9	33149.0001	4	Gasket
10	01085.0002	1	Solenoid Valve 120V (Includes items 11 - 14)
	28005.0000	1	Solenoid Valve 230V (Includes items 11- 13)
	01327.0000	2	Screw, Pan Head #10-32 x .38"
11	28480.0000	1	Coil, Solenoid 120V
	28020.0000	1	Coil, Solenoid 230V
12	01111.0002	1	Solenoid Repair Kit (Includes Plunger, Spring and O-ring)
13	28479.0000	1	Solenoid Base Kit 120V (Includes O-ring)
	28021.0000	1	Core Assy Kit 230V
14	28481.0000	1	Guide Kit
15	00402.0001	2	Connector
16	35326.0000	1	Nipple
17	35327.0000	1	Nut
18	-----	1	Hose .25" ID x .44" OD x 1.25" (Order item 33)
19	00459.0000	1	Fitting, Bulkhead
	01532.0000	1	Lockwasher, Internal-tooth .438"
	00463.0000	1	Nut, Hex .375"-20
20	-----	1	Hose .25" ID x .44" OD x 4.0" (Order item 33)
21	33149.0000	1	Gasket
22	33151.0000	1	Fitting, Elbow .38" Barb
23	21275.0004	4	Clamp .54" - .64"
24	-----	1	Hose .38" ID x .595" OD x 1.5" (Order item 34)
25	32749.0000	1	Tee .38" Barb x .38" Barb x .25" Barb

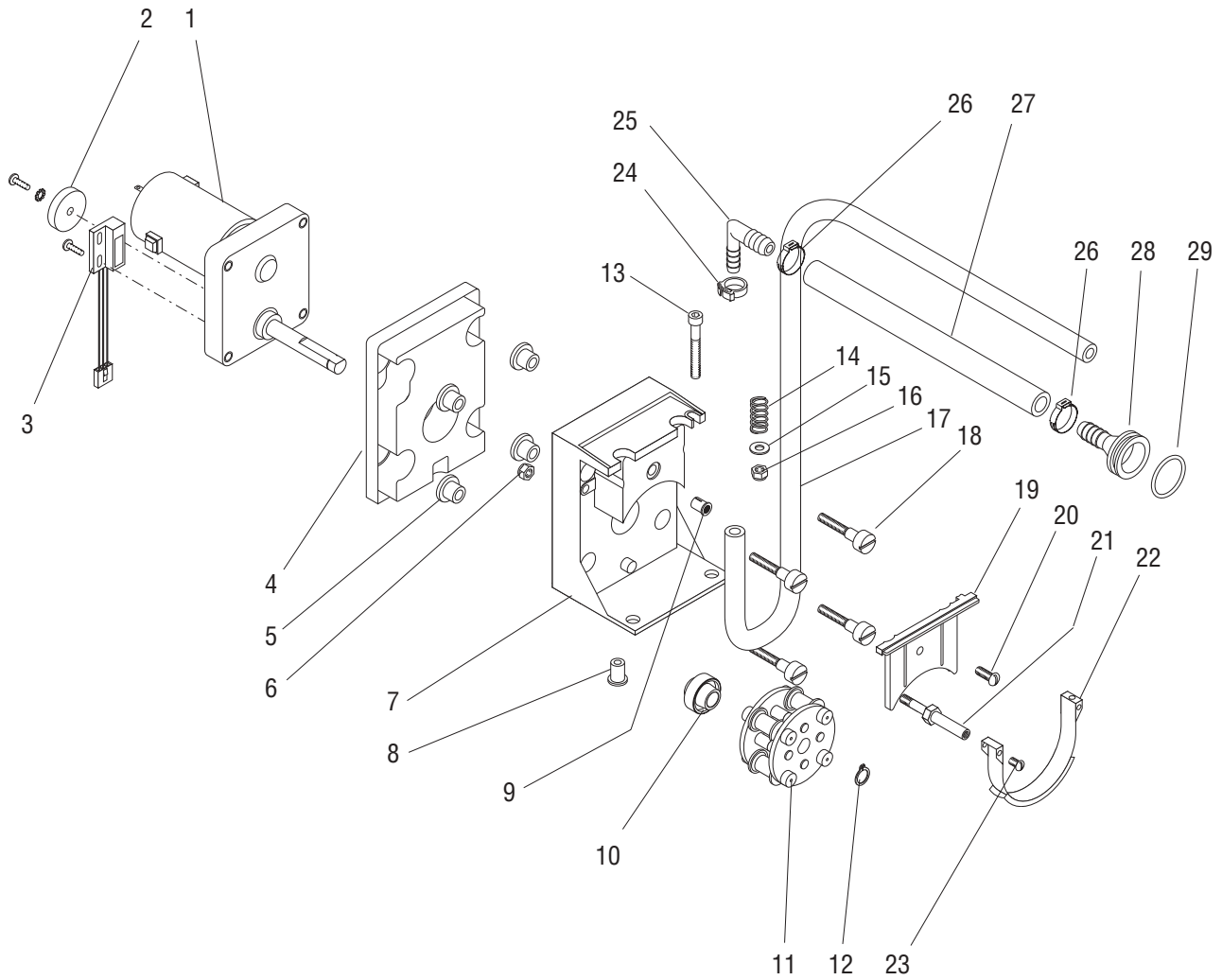
(Continued)

(Continued)



RINSE WATER MANIFOLD & SOLENOID (Late Models)

ITEM	PART NO.	QTY.	DESCRIPTION
26	-----	1	Hose .38" ID x .595" OD x 2.25" (Order item 34)
27	33150.0000	1	Nut
28	33686.0000	1	Nipple
29	23720.1000	1	Strainer Assy (Includes items 30 - 32)
30	-----	1	Housing, Strainer (Order item 29)
31	23721.0000	1	Screen
32	23723.0000	1	End Cap
33	32745.1002	-	Hose .25" ID x .44" OD x 120.0" (Cut to required length)
34	32759.1002	-	Hose .38" ID x .595" OD x 120.0" (Cut to required length)

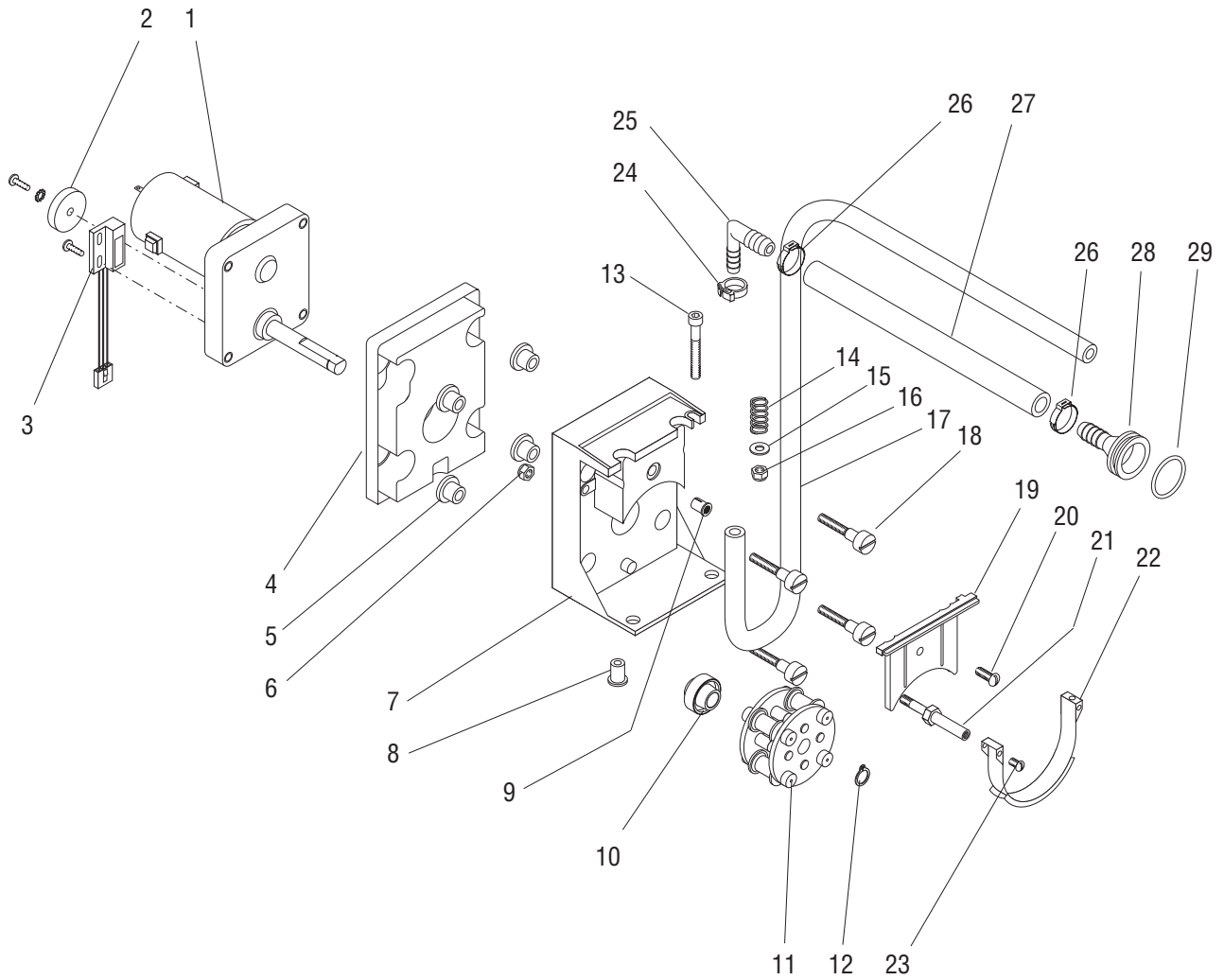


PUMP ASSEMBLY

ITEM	PART NO.	QTY.	DESCRIPTION
-	33803.0000	1	Pump Assy (Includes items 1 - 29)
1	-----	1	Motor Assy (Refer to item 34)
2	32654.0000	1	Magnet Hub
	01512.0000	1	Lockwasher, Internal-tooth #10
	01331.0004	1	Screw, Locking #10-32 x .50"
3	33608.0000	1	Sensor, RPM
	02336.0000	2	Screw #4-40 x .38"
4	33781.0000	1	Gasket
5	32957.0000	4	Bushing
6	00991.0003	1	Nut, Elastic Lock #10-32
7	33778.1000	1	Mount Assy, Pump (Includes items 8, 9 & 10)
8	29904.0000	1	Insert, Well Nut #8-32
9	-----	1	Insert, Threaded #10-32
10	33825.0000	1	Bearing, Sleeve
11	32706.1000	1	Rotor
12	32652.0000	1	Retaining Ring
13	33295.0000	1	Screw, Socket Head #10-32 x 1.75"
14	23918.0001	1	Spring
15	01522.0000	1	Washer
16	00991.0003	1	Nut, Elastic Lock #10-32
17	-----	1	Tube, Neoprene .25" ID x .45" OD x 21.00" (Order item 32 & 33)
18	32927.0000	4	Bolt, Shoulder #10-32
19	33779.0000	1	Retainer
20	01331.0000	1	Screw #10-32 x .50"
21	32609.0000	1	Standoff, Pump Band
22	33780.0000	1	Compression Band
23	01311.0001	1	Screw, Locking #8-32 x .25"
24	32732.0000	1	Clamp (One less used on Late Models)
25	32656.0000	1	Fitting, Elbow (One less used on Late Models)
26	21275.0004	2	Clamp .54 - .64"
27	-----	1	Hose .38" ID x .595" OD x 7.25" (Order item 31)

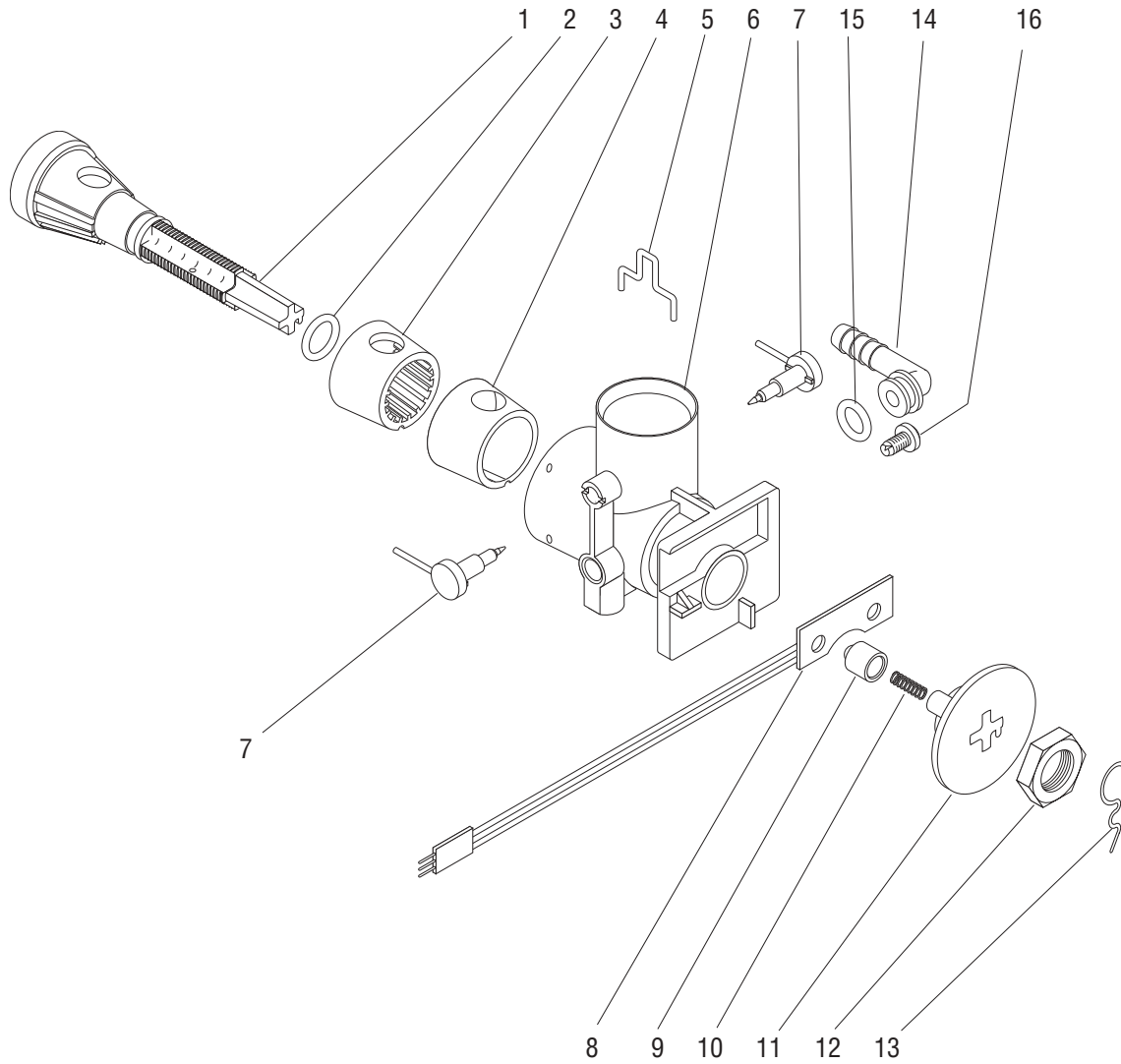
(Continued)

(Continued)



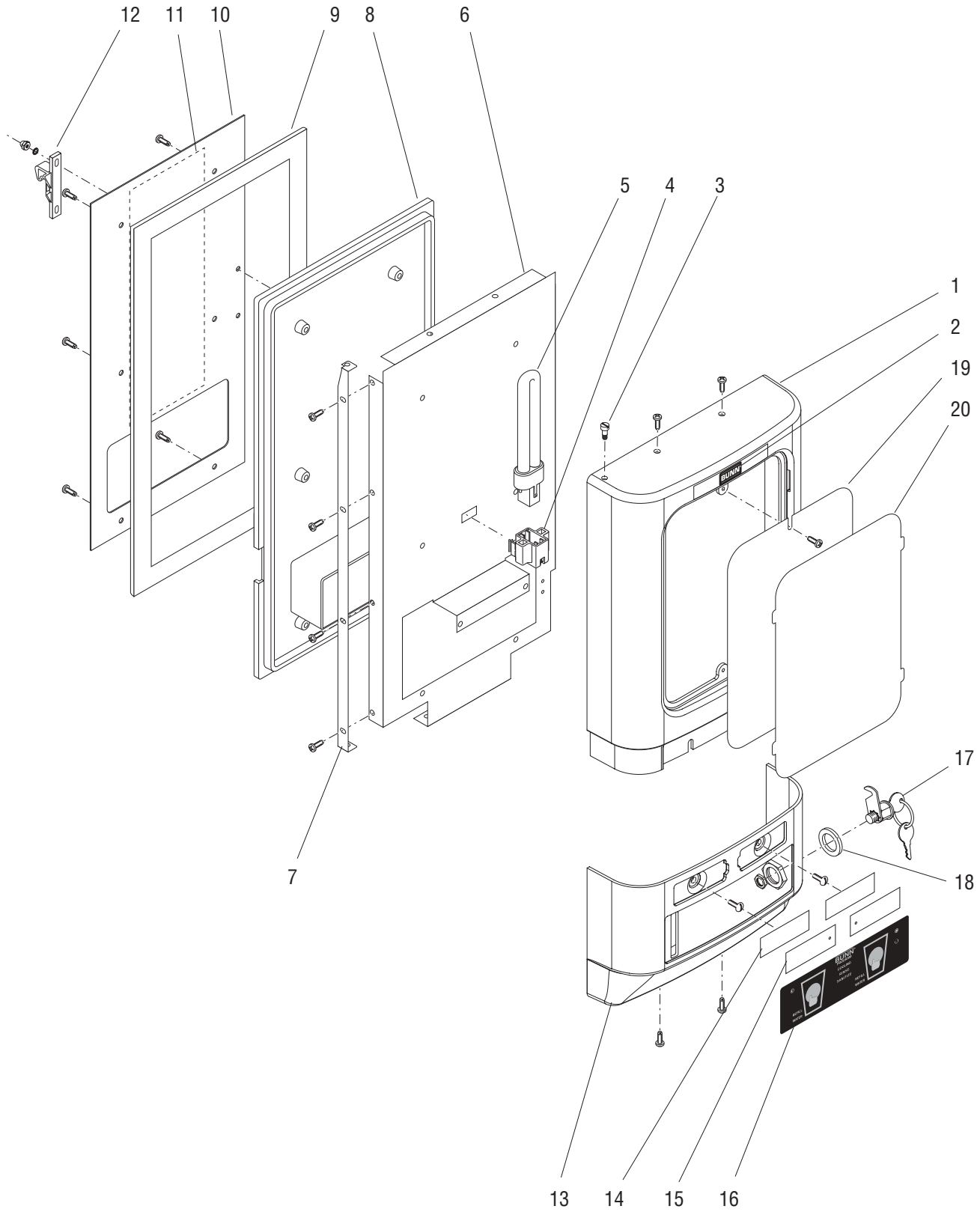
PUMP ASSEMBLY

ITEM	PART NO.	QTY.	DESCRIPTION
28	32454.0000	1	Fitting, Bottle Adapter
29	34087.0000	1	O-ring (Also use item 30)
30	M2568.0000	-	Lubricant (Use when installing item 29)
31	32759.1002	-	Hose .38" ID x .595" OD x 120.0" (Use as required)
32	28755.1000	-	Tube, Neoprene .25" ID x .45" OD x 12.0" (Use as required)
	28755.1001	-	Tube, Neoprene .25" ID x .45" OD x 36.0" (Use as required)
	28755.1002	-	Tube, Neoprene .25" ID x .45" OD x 60.0" (Use as required)
33	M2548.1000	-	Grease, Krytox .50 oz. (Apply to outside of tube only. Use as required)
34	33744.0000	-	Motor Replacement Kit (Includes items 1,2,3 and mounting hardware)



BOTTLE ADAPTER ASSEMBLY

ITEM	PART NO.	QTY.	DESCRIPTION
-	32756.0000	1	Adapter Assy, Bottle (Includes items 1 - 16)
1	32456.0000	1	Spool
2	36301.0000	1	O-ring
3	32625.0000	1	Seal, Rotary
4	33515.0000	1	Boot, Teflon (Also order item 17)
5	-----	1	Opener (Order item 6)
6	32453.1000	1	Body Assy. (Includes items 5 & 7)
7	-----	2	Probe (Order item 6)
8	34032.1000	1	Switch, Membrane
9	32663.0000	1	Detent, Membrane Switch
10	33042.0000	1	Spring
11	32469.0000	1	Plate, Detent
12	00942.0002	1	Nut, Brass w/Tin Plate .50-20"
13	21358.0000	1	Clip, Retainer
14	32463.0000	1	Fitting, Elbow
15	32849.0001	1	O-ring
16	32846.0000	1	Plate
	32860.0000	1	Screw
17	M2568.0000	-	Grease, USDA H-1 (Use when installing item 4)

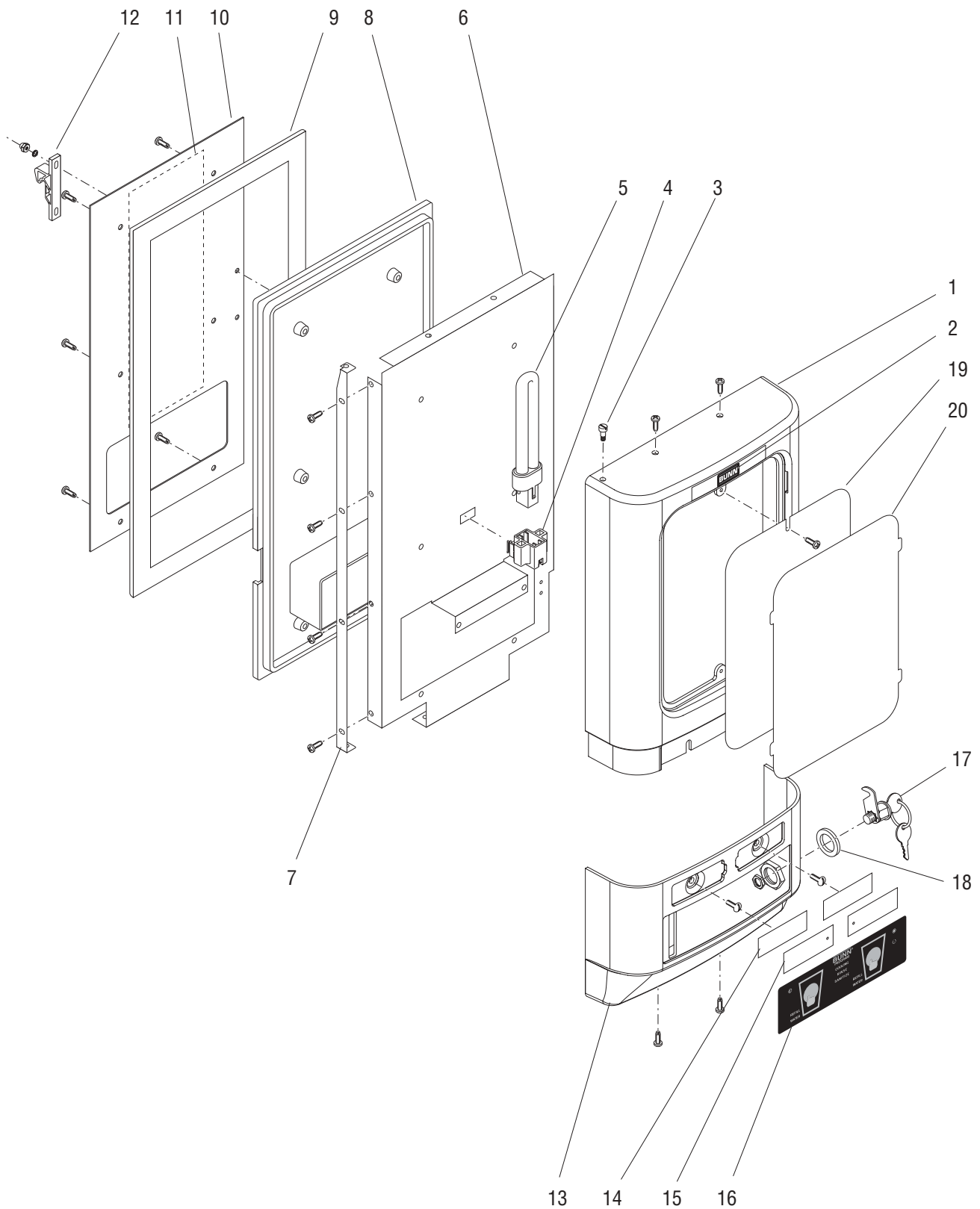


DOOR ASSEMBLY

ITEM	PART NO.	QTY.	DESCRIPTION
-	36080.0000	1	Door Assy. Lited, Pushbutton (Includes items 2 - 26)
-	36080.0001	1	Door Assy. Lited, Portion Control (Includes items 2 - 26)
-	36080.0002	1	Door Assy. Unlited, Pushbutton (Includes items 2, 3, 6 - 26)
-	36080.0003	1	Door Assy. Unlited, Portion Control (Includes items 2, 3, 6 - 26)
1	35166.1000	1	Door, Upper, Lited (Includes items 2 - 12, 14, 15, 19 - 23, 25 & 26)
	35166.1001	1	Door, Upper, Unlited (Includes items 2, 3, 6 - 12, 14, 15, 19 - 23, 25 & 26)
	01317.0005	2	Screw, Blk, Truss Head, Locking #8-32 x .375"
2	23729.0000	1	Decal, BUNN
3	34741.0000	1	Shoulder Bolt
4	32807.0001	1	Lamp Holder (Lited Doors only)
5	32806.0000	1	Lamp (Lited Doors only)
6	34791.0000	1	Panel, Light
7	33532.0000	1	Bracket, Hinge
	01317.0003	4	Screw, Truss Head, Locking #8-32 x .375"
8	-----	1	Panel, Door Inner (Not serviced)
9	34792.0000	1	Seal, Door
10	35567.0000	1	Plate, Door Seal
	01322.0001	6	Screw, Round Head, Locking #8-32 x 1.25"
11	35278.0000	1	Decal, Brixing and Cleaning
12	34667.0000	1	Keeper, Door Latch
	01519.0000	2	Lockwasher
	02319.0000	2	Nut, Acorn
13	35387.1000	1	Door, Lower, Pushbutton (Includes items 14 thru 18)
	35387.1001	1	Door, Lower, Portion Control (Includes items 14 thru 18)
	01317.0005	4	Screw, Blk, Truss Head, Locking #8-32 x .375"
14	32819.0000	2	Strip, Adhesive
15	33704.0001	2	Flavor Strip
16	34736.0000	1	Membrane Switch, Push Button
	34737.0000	1	Membrane Switch, Portion Control
17	34470.0000	1	Lock Assy (Includes Keys and Nut)
	28095.0000	1	Keys (Set of 2)
18	35608.0000	1	Shim
19	35022.0000	1	Lens, Fixed
	24544.0000	2	Screw, Pan Head #8-18
20	35023.0000	1	Lens, Removable

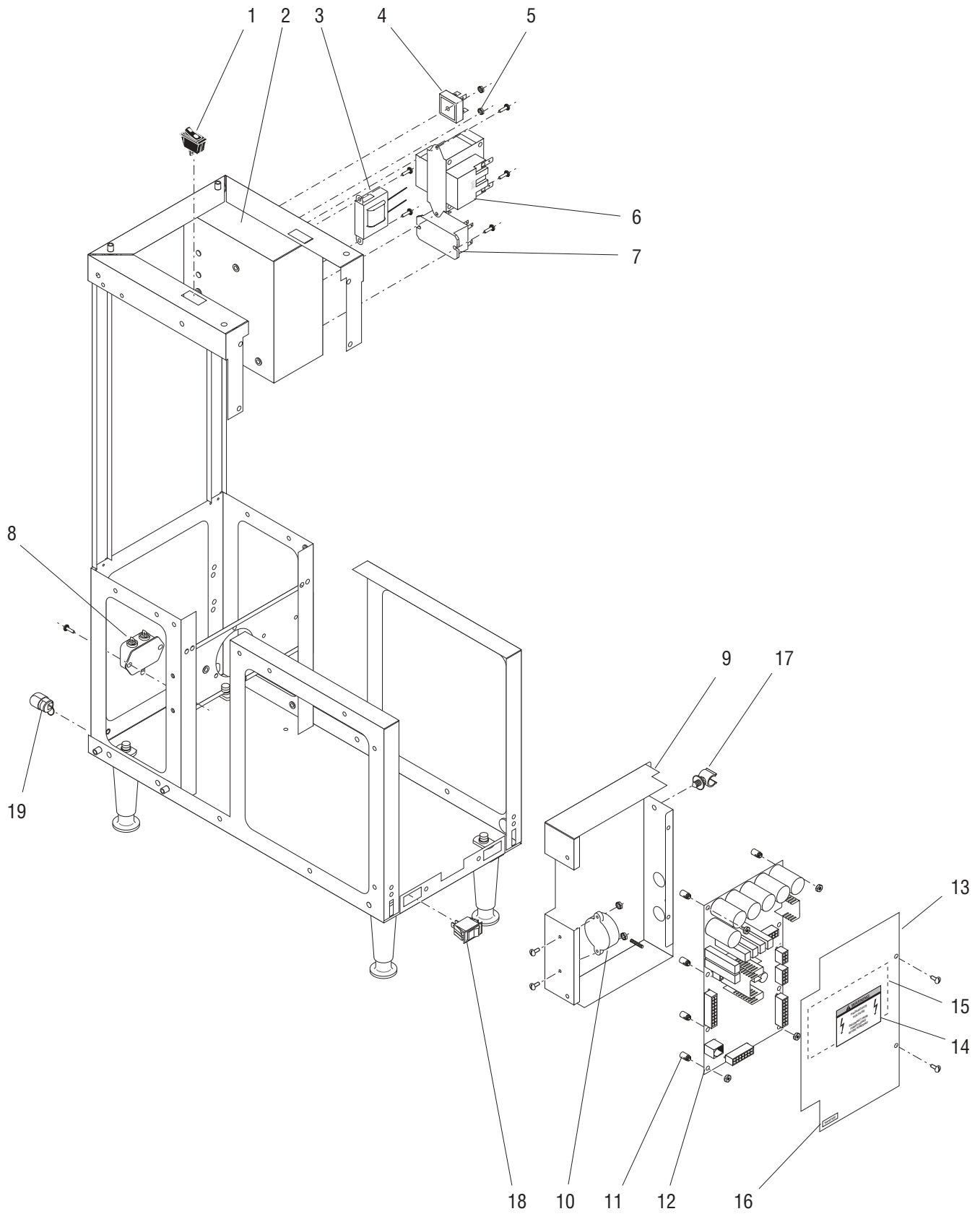
(Continued)

(Continued)



DOOR ASSEMBLY

ITEM	PART NO.	QTY.	DESCRIPTION
The following items are not illustrated			
21	35269.0000	1	Harness, Touch Pad
22	07130.0000	2	Cable Tie
23	35270.0000	1	Harness, Door Lamp (Lited Doors only)
24	33208.0001	1	Harness, Light Socket (Lited Doors only)
25	00970.0000	1	Nut, Harness Grounding (Lited Doors only)
26	29976.0000	1	Cable Mount

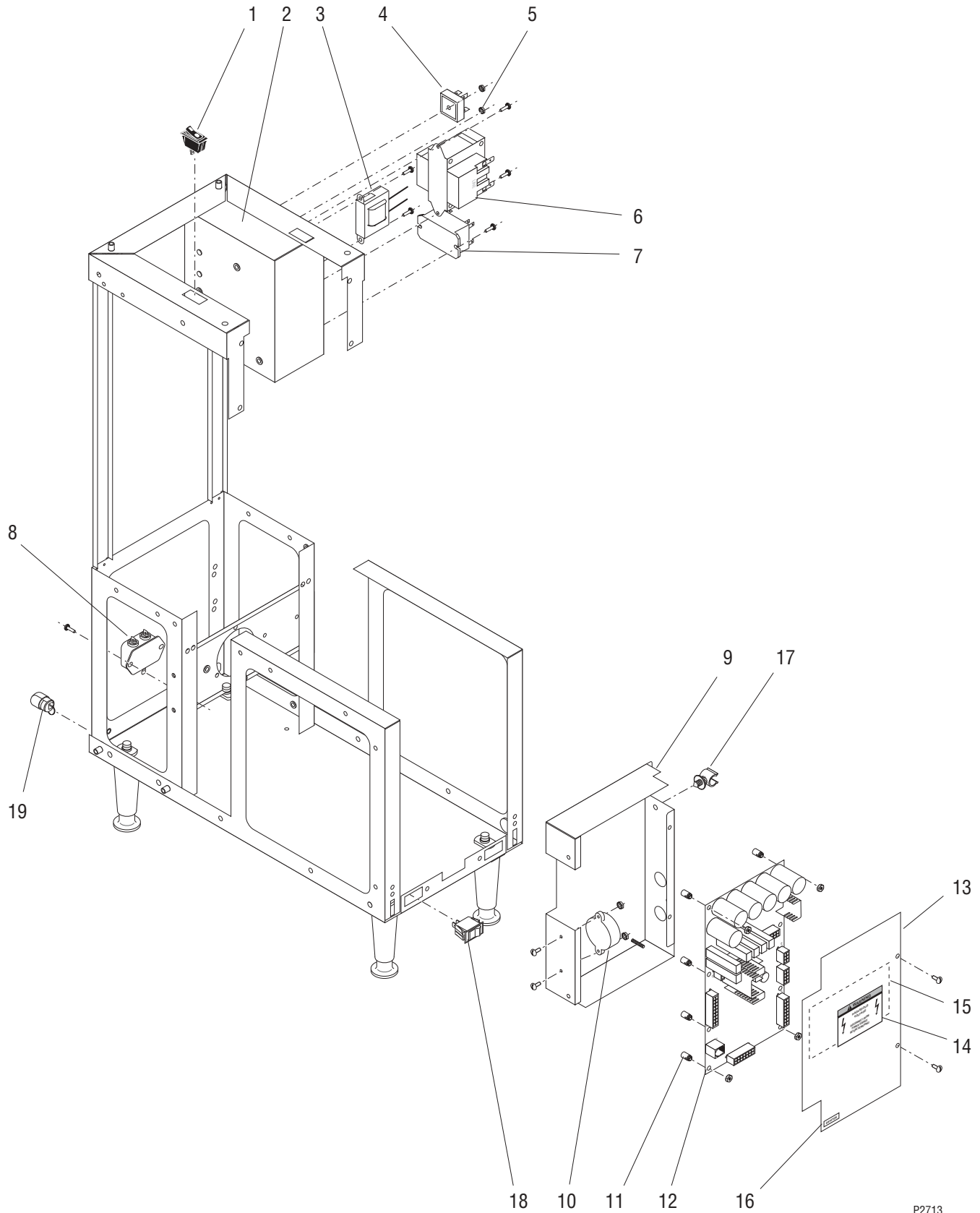


ELECTRICAL COMPONENTS

ITEM	PART NO.	QTY.	DESCRIPTION
1	04786.0004	1	Switch, Compressor ON/OFF
2	34407.0000	1	Enclosure
	02308.0000	2	Screw, Pan Head #8-32 x .38"
3	28327.0000	1	Ballast, Door Lamp (Lited Doors only)
	02308.0000	2	Screw, Pan Head #8-32 x .38"
4	22126.0000	1	Rectifier
	00970.0000	1	Nut, Keps #8-32
5	00970.0000	1	Nut, Harness Grounding
6	32824.0001	1	Transformer 120V
	32824.0002	1	Transformer 230V (Not serviced)
	02308.0000	2	Screw, Pan Head #8-32 x .38"
7	25948.0000	1	Relay 120V
	25948.0001	1	Relay 230V
	02308.0000	2	Screw, Pan Head #8-32 x .38"
8	29446.0000	1	EMI Filter (230V models only)
9	34406.0000	1	Enclosure
	02308.0000	2	Screw, Pan Head #8-32 x .38"
10	33147.0000	1	Audio Indicator
	01382.0000	2	Screw, Truss Head #6-32 x .375"
	00973.0000	2	Nut, Keps #6-32
11	29081.0000	8`	Spacer
12	32673.1002	1	Circuit Board
	00973.0000	4	Nut, Keps #6-32
13	34404.0000	1	Cover
	01382.0000	2	Screw, Truss Head #6-32 x .375"
14	12559.0003	1	Decal, Warning - Hazardous Voltage
15	33647.0000	1	Decal, Dip Switch
16	33460.0000	1	Decal, Sanitize Switch
17	27410.0000	1	Clip, Tube Mounting
18	01063.0000	1	Switch, Rinse/Run
19	00707.0000	1	Bushing, Strain Relief
The following items are not illustrated			
20	22749.0000	1	Pad, Cable Mounting
21	00617.0000	1	Cable Tie
22	35182.0000	1	Harness, Main 120V
	35182.0001	1	Harness, Main 230V

(Continued)

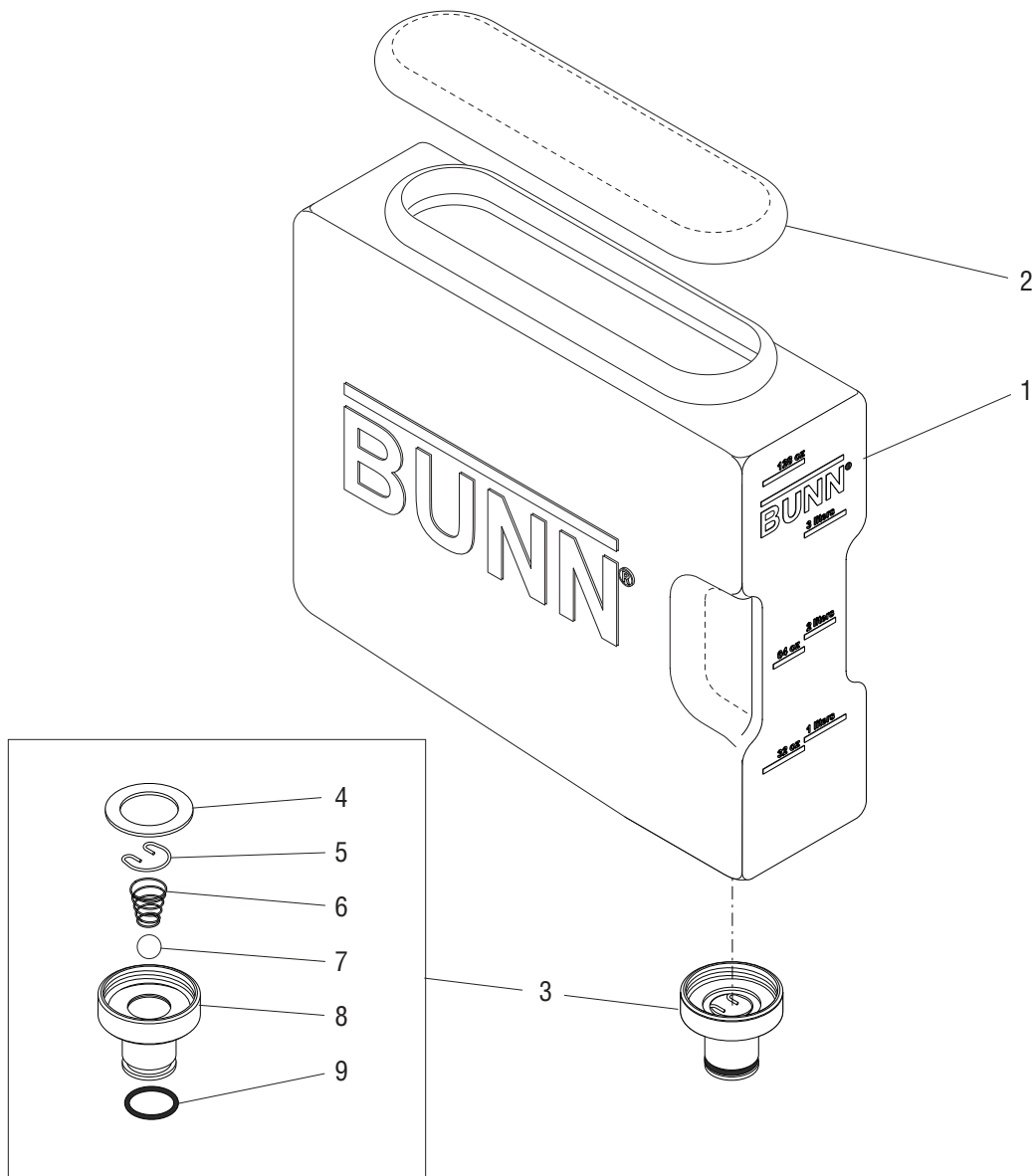
(Continued)



P2713

ELECTRICAL COMPONENTS

ITEM	PART NO.	QTY.	DESCRIPTION
23	20630.0010	1	Power Cord
24	35177.0000	1	Harness, Water Bath
25	33115.0000	1	Harness, Cabinet Fan
26	35191.0000	1	Harness, Compressor



REFILLABLE CONTAINER ASSEMBLY

ITEM	PART NO.	QTY.	DESCRIPTION
-	33931.0000	1	Container Assy (Includes items 1-9)
1	32167.1000	1	Container w/Lid (Includes item 2)
3	33953.1000	1	Fitting Assy (Includes items 4-9)
4	32165.0000	1	Gasket
5	32166.0000	1	Retaining Clip
6	32877.0000	1	Spring
7	00598.0002	1	Ball
8	32168.0000	1	Fitting
9	33725.0001	1	O-ring

NUMERICAL INDEX

PART NO.	PAGE NO.	PART NO.	PAGE NO.	PART NO.	PAGE NO.	PART NO.	PAGE NO.
00396.0002	9	20203.0100	13	32167.1000	51	32855.0000	23
00402.0001	29,33	20630.0010	49	32168.0000	51	32856.0000	23
00459.0000	29,33	20936.0001	13	32204.1001	11	32857.0000	21
00463.0000	29,33	21275.0004	13,17,19,25	32204.1002	11	32858.0000	7
00598.0002	51	21275.0004	27,29,33,37	32252.0000	23	32860.0000	21,23,41
00617.0000	7,13,47	21275.0005	13	32453.1000	41	32877.0000	51
00656.0000	5	21275.0006	15,21,25,27	32454.0000	39	32927.0000	37
00668.0000	5	21275.0006	29,31	32455.0000	7	32957.0000	37
00669.0002	7	21358.0000	41	32456.0000	41	32957.0001	21
00707.0000	47	21431.0003	9	32458.0000	21	33042.0000	41
00901.0000	9	21436.0000	5	32461.0000	7	33115.0000	49
00908.0000	13	22126.0000	47	32463.0000	41	33147.0000	47
00942.0002	41	22749.0000	47	32467.1000	7	33149.0000	15,17,19,29,33
00970.0000	45,47	23700.0000	11	32469.0000	41	33149.0001	29,33
00973.0000	13,47	23720.1000	31,33	32602.0000	23	33150.0000	31,33
00973.0001	21	23721.0000	31,33	32603.0000	23	33151.0000	19,29,33
00976.0000	15	23723.0000	31,33	32609.0000	37	33151.0001	29
00986.0002	5	23729.0000	43	32621.0000	7	33155.0000	23
00991.0000	21	23918.0001	37	32622.0000	23	33159.1002	15
00991.0003	37	24544.0000	7,13,43	32623.0000	23	33208.0001	45
01063.0000	47	25948.0000	47	32624.0000	23	33295.0000	37
01085.0002	29,33	25948.0001	47	32625.0000	41	33297.0000	7
01111.0002	23,29,33	26528.0000	5	32631.0000	25,27	33458.0000	5
01308.0000	23	27243.0000	9	32652.0000	37	33459.0002	7
01311.0001	5,37	27246.0000	7	32654.0000	37	33459.0003	7
01317.0003	5,9,13,43	27258.0000	11	32655.0000	23	33460.0000	47
01317.0005	43	27354.0000	5	32656.0000	37	33461.0001	5
01322.0001	43	27394.0000	7	32663.0000	41	33515.0000	41
01327.0000	7,29,33	27410.0000	47	32673.1002	47	33519.0000	13
01331.0000	37	27442.0000	5	32706.1000	37	33522.0000	9
01331.0004	37	28005.0000	29,33	32732.0000	37	33522.0001	9
01338.0000	21	28020.0000	29,33	32734.0001	13	33528.0000	5
01359.0000	7	28021.0000	29,33	32745.1002	25,27,31,33	33532.0000	43
01382.0000	7,47	28062.0000	21	32749.0000	31,33	33533.0000	13
01512.0000	37	28095.0000	43	32753.0000	25	33536.0000	9
01514.0000	19	28327.0000	47	32755.0000	21,23	33538.0000	5
01519.0000	43	28479.0000	29,33	32756.0000	21,29,33,41	33539.0000	5
01522.0000	13,21,37	28480.0000	29,33	32759.1002	17,19,25,27	33553.0000	23
01532.0000	29,33	28481.0000	23,29,33	32759.1002	31,33,39	33554.0000	23
02308.0000	47	28567.0000	9	32760.0000	15,25,29	33580.0000	23
02319.0000	43	28755.1000	39	32761.0000	25,29	33585.0000	23
02332.0001	5,13	28755.1001	39	32776.0001	9	33602.0000	11
02335.0001	9	28755.1002	39	32806.0000	43	33603.0000	11
02336.0000	37	29081.0000	47	32807.0001	43	33603.0001	11
02361.0000	13	29327.0000	13	32819.0000	43	33608.0000	37
02536.0000	13	29446.0000	47	32824.0001	47	33623.0000	13,17,19
03996.0000	5	29837.1000	13	32824.0002	47	33645.0000	5
04786.0004	47	29837.1001	13	32846.0000	41	33646.0000	5
07130.0000	45	29904.0000	37	32848.0000	7	33647.0000	47
12422.0000	21	29951.0000	9	32849.0001	23,25,27,41	33669.0000	7
12559.0003	47	29976.0000	45	32851.0000	23	33686.0000	31,33
12756.0000	19	32165.0000	51	32852.0000	23	33704.0001	43
12757.0000	19	32166.0000	51	32853.0000	23	33725.0000	23

NUMERICAL INDEX

PART NO.	PAGE NO.	PART NO.	PAGE NO.	PART NO.	PAGE NO.	PART NO.	PAGE NO.
33725.0001	51	35018.0000	5				
33744.0000	39	35022.0000	43				
33778.1000	37	35023.0000	43				
33779.0000	37	35106.0000	13				
33780.0000	37	35108.0000	7				
33781.0000	37	35132.0000	13				
33801.0000	13	35164.0000	9				
33803.0000	37	35165.0000	13				
33825.0000	37	35166.1000	43				
33931.0000	51	35166.1001	43				
33953.1000	51	35171.0000	19				
34032.1000	41	35172.0000	19				
34087.0000	39	35173.0000	17,19				
34325.1002	15	35174.0000	15				
34362.0000	7	35175.1000	9				
34403.1000	13	35177.0000	49				
34404.0000	47	35179.0001	9				
34406.0000	47	35180.0001	9				
34407.0000	47	35181.0000	21				
34409.0000	5	35182.0000	47				
34410.0000	5	35182.0001	47				
34414.1000	13	35189.0000	21				
34416.0000	13	35191.0000	49				
34418.0000	9	35269.0000	45				
34419.0000	7	35270.0000	45				
34421.0000	7	35272.1000	13				
34422.1000	7	35277.0000	5				
34460.0000	29,33	35277.0001	5				
34461.0000	29,33	35278.0000	43				
34462.0000	19	35305.0000	19				
34463.0000	25,27	35326.0000	29,33				
34470.0000	43	35327.0000	29,33				
34540.0000	19	35385.0001	9				
34644.0001	13	35386.0001	9				
34666.0001	7	35387.1000	43				
34667.0000	43	35387.1001	43				
34736.0000	43	35526.0000	13				
34737.0000	43	35567.0000	43				
34738.0000	7	35580.0001	9				
34741.0000	43	35581.0001	9				
34784.0000	7	35608.0000	43				
34785.0000	7	36080.0000	43				
34786.1000	5	36080.0001	43				
34787.1000	5	36080.0002	43				
34787.1001	5	36080.0003	43				
34788.1000	5	36203.0000	33				
34789.1000	5	36204.0000	27				
34790.0000	7	36301.0000	41				
34791.0000	43	M2316.1000	9				
34792.0000	43	M2324.1000	19				
34797.0000	5	M2332.1000	9				
34871.0000	5	M2548.1000	39				
34905.0000	21	M2568.0000	7,23,39,41				
34994.0000	5						