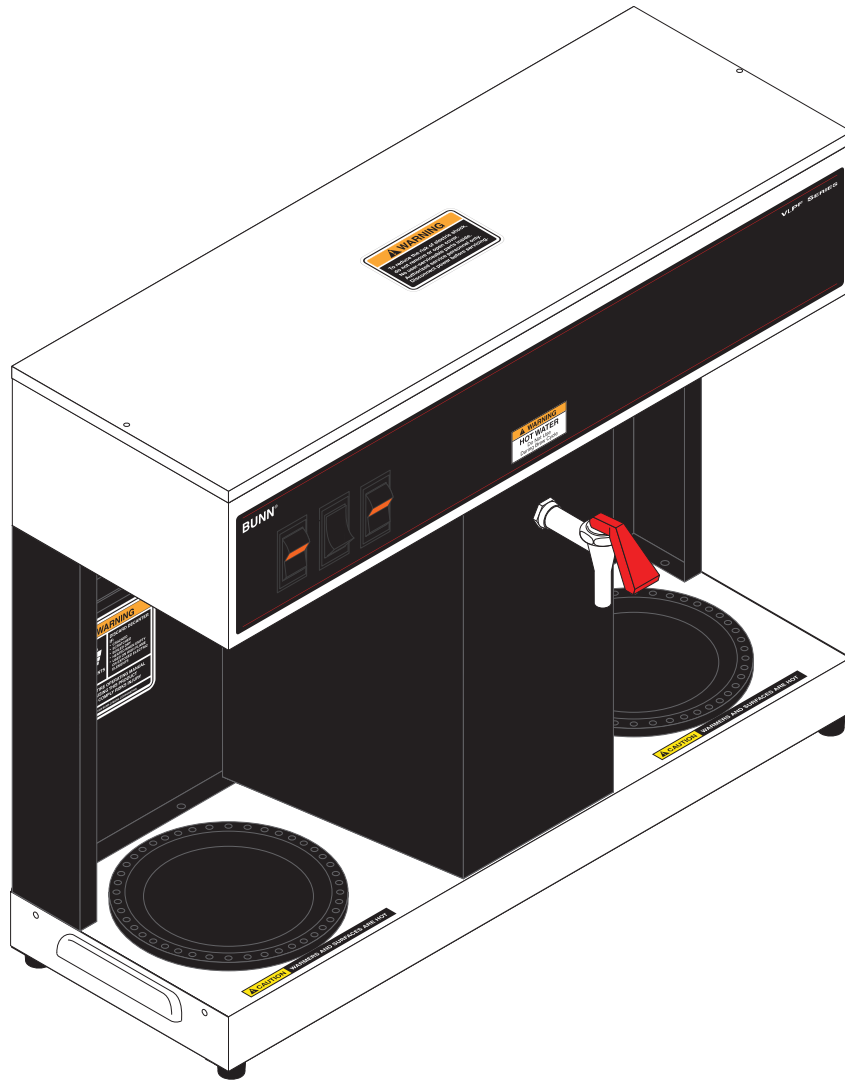


BUNN®

VLPF



ILLUSTRATED PARTS CATALOG

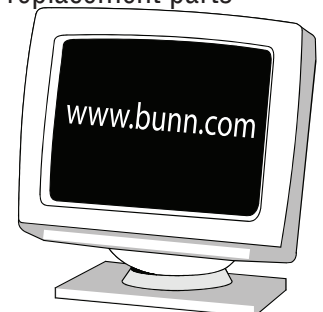
Designs, materials, weights, specifications, and dimensions for equipment or replacement parts are subject to change without notice.

BUNN-O-MATIC CORPORATION

POST OFFICE BOX 3227

SPRINGFIELD, ILLINOIS 62708-3227

PHONE: (217) 529-6601 FAX: (217) 529-6644



BUNN-O-MATIC COMMERCIAL PRODUCT WARRANTY

Bunn-O-Matic Corp. ("BUNN") warrants equipment manufactured by it as follows:

- 1) All equipment other than as specified below: 2 years parts and 1 year labor.
- 2) Electronic circuit and/or control boards: parts and labor for 3 years.
- 3) Compressors on refrigeration equipment: 5 years parts and 1 year labor.
- 4) Grinding burrs on coffee grinding equipment to grind coffee to meet original factory screen sieve analysis: parts and labor for 3 years or 30,000 pounds of coffee, whichever comes first.

These warranty periods run from the date of installation BUNN warrants that the equipment manufactured by it will be commercially free of defects in material and workmanship existing at the time of manufacture and appearing within the applicable warranty period. This warranty does not apply to any equipment, component or part that was not manufactured by BUNN or that, in BUNN's judgment, has been affected by misuse, neglect, alteration, improper installation or operation, improper maintenance or repair, damage or casualty. This warranty is conditioned on the Buyer 1) giving BUNN prompt notice of any claim to be made under this warranty by telephone at (217) 529-6601 or by writing to Post Office Box 3227, Springfield, Illinois 62708-3227; 2) if requested by BUNN, shipping the defective equipment prepaid to an authorized BUNN service location; and 3) receiving prior authorization from BUNN that the defective equipment is under warranty.

THE FOREGOING WARRANTY IS EXCLUSIVE AND IS IN LIEU OF ANY OTHER WARRANTY, WRITTEN OR ORAL, EXPRESS OR IMPLIED, INCLUDING, BUT NOT LIMITED TO, ANY IMPLIED WARRANTY OF EITHER MERCHANTABILITY OR FITNESS FOR A PARTICULAR PURPOSE. The agents, dealers or employees of BUNN are not authorized to make modifications to this warranty or to make additional warranties that are binding on BUNN. Accordingly, statements by such individuals, whether oral or written, do not constitute warranties and should not be relied upon.

If BUNN determines in its sole discretion that the equipment does not conform to the warranty, BUNN, at its exclusive option while the equipment is under warranty, shall either 1) provide at no charge replacement parts and/or labor (during the applicable parts and labor warranty periods specified above) to repair the defective components, provided that this repair is done by a BUNN Authorized Service Representative; or 2) shall replace the equipment or refund the purchase price for the equipment.

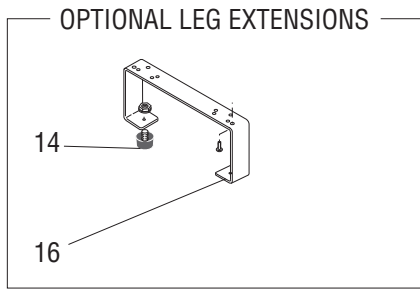
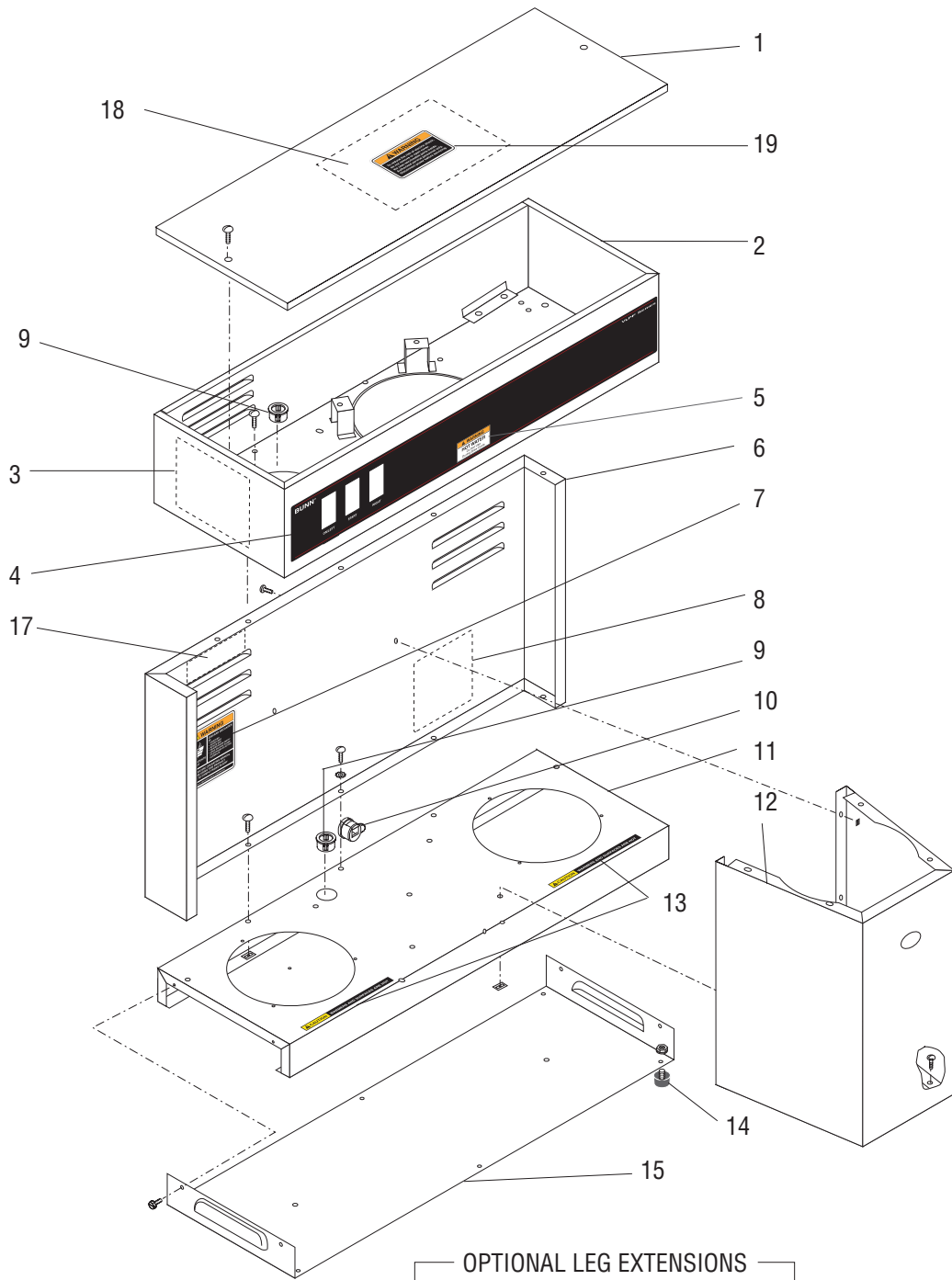
THE BUYER'S REMEDY AGAINST BUNN FOR THE BREACH OF ANY OBLIGATION ARISING OUT OF THE SALE OF THIS EQUIPMENT, WHETHER DERIVED FROM WARRANTY OR OTHERWISE, SHALL BE LIMITED, AT BUNN'S SOLE OPTION AS SPECIFIED HEREIN, TO REPAIR, REPLACEMENT OR REFUND.

In no event shall BUNN be liable for any other damage or loss, including, but not limited to, lost profits, lost sales, loss of use of equipment, claims of Buyer's customers, cost of capital, cost of down time, cost of substitute equipment, facilities or services, or any other special, incidental or consequential damages.

BrewWISE, BUNN Gourmet Ice, BUNN Pour-O-Matic, BUNN, Bunn-OMatic, Bunn-O-Matic, BUNNlink, BUNN-serve, BUNN Espresso, DBC, Dr. Brew, Dual, EasyClear, EasyGard, Easy Pour, FlavorGard, Gourmet Ice, Gourmet Juice, High Intensity, IMIX, Infusion Series, Legendary for Quality, Quality Beverage Equipment Worldwide, The Mark of Quality in Beverage Equipment Worldwide, My Café, PowerLogic, Safety-Fresh, Scale-Pro, Single, Smart Funnel, Smart Hopper, SmartWAVE, Soft Heat, SplashGard, System III, ThermoFresh, 392, AutoPOD, AX-IOM, Beverage Profit Calculator, Beverage Bar Creator, BrewLOGIC, BrewMETER, BrewWIZARD, BUNNSERVE, BUNNsource, Coffee At Its Best, Cool Froth, Digital Brewer Control, Intellisteam, Nothing Brews Like a BUNN, Pouring Profits, Pulse Wave, Signature Series, Silver Series, Smart Heat, Tea At Its Best, The Horizontal Red Line, Titan, Ultra, are either trademarks or registered trademarks of Bunn-O-Matic Corporation.

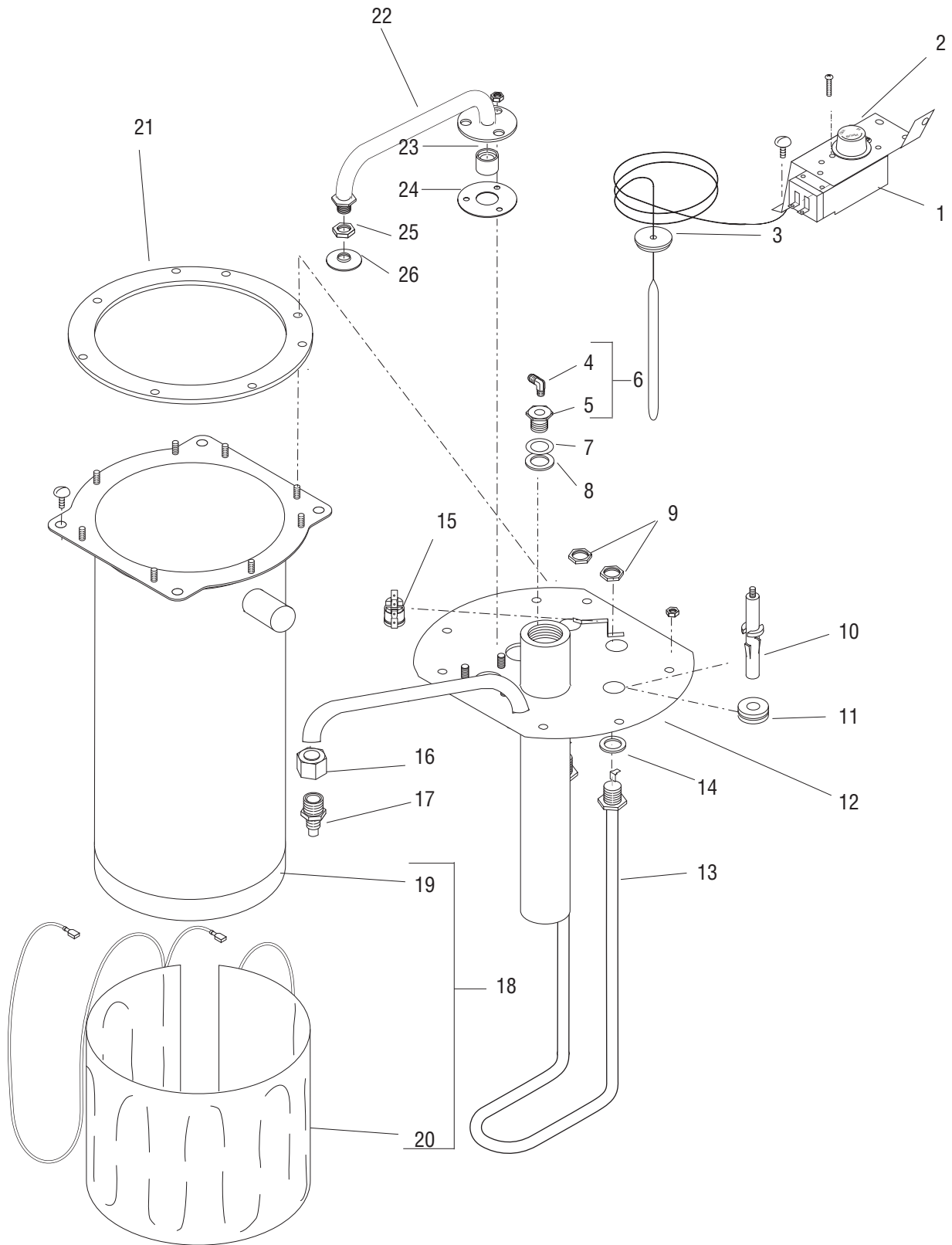
TABLE OF CONTENTS

Electrical & Operating Controls	12
Funnels & Basket	16
Housing & Covers	4
Numerical Index	18
Strainer/Flow Control & Faucet	8,10
Tank & Components	6
Warmer Assemblies	14



HOUSING & COVERS


ITEM	PART NO.	QTY.	DESCRIPTION
1	07408.0000	1	Cover, Top
	01303.0000	2	Screw, PNH Sltd, SST 4-40 x .50"
2	07406.1000	1	Housing , Hood(Includes items 3 thru 5)
	01311.0000	9	Screw, Truss Head (SST) 8-32 x .25"
	00978.0000	8	Fastener, Flat Type (SST) 8-32
	00970.0000	1	Nut, Keps - SST 8-32
3	10178.0000	1	Schematic, Elec 120V VLFP
4	22124.0000	1	Decal, Control Panel
5	00882.0000	1	Decal, Warning Hot Water (FCT)
6	25154.0001	1	Panel W/Decals, Trunk Rear - BLK (Includes items 7 & 8)(Also order Item 17)
	01311.0000	5	Screw, Truss Head (SST) 8-32 x .25"
	00978.0000	4	Fastener, Flat Type (SST) 8-32
	00908.0000	1	Nut, Hex - SST 8-32.
7	00658.0000	1	Decal, Caution - Decanter/Funnel
8	00831.0000	1	Decal, Warning - Electrical
9	01663.0000	2	Bushing, Snap - .875" Dia.
10	01686.0000	1	Bushing, Strain Relief - Nylon
11	04273.1000	1	Housing, Base(Includes item 13)
12	04204.0005	1	Housing, Trunk Front (BLK)
	01311.0000	6	Screw, Truss Head (SST) 8-32 x .25"
	00978.0000	6	Fastener, Flat Type (SST) 8-32
13	12364.0000	2	Decal, Caution - Warmers are Hot
14	04198.0001	1	Foot, Kit Blk SBR - .75" OD x .48" HT #6 (Set of 4)
15	04203.0000	1	Cover, Base
	02332.0002	6	Screw, Hex-Crimptite 6-32 x .38"
16	02776.0000	2	Leg Extensions - 3.5" HT (Optional)
	02332.0002	4	Screw, Hex-Crimptite 6-32 x .38"
17	00656.0000	1	Decal, Comply to Plumbing Code
18	32540.0000	1	Decal, Timer Adjustment
19	37881.0000	1	Decal, No Serviceable Parts



TANK & COMPONENTS

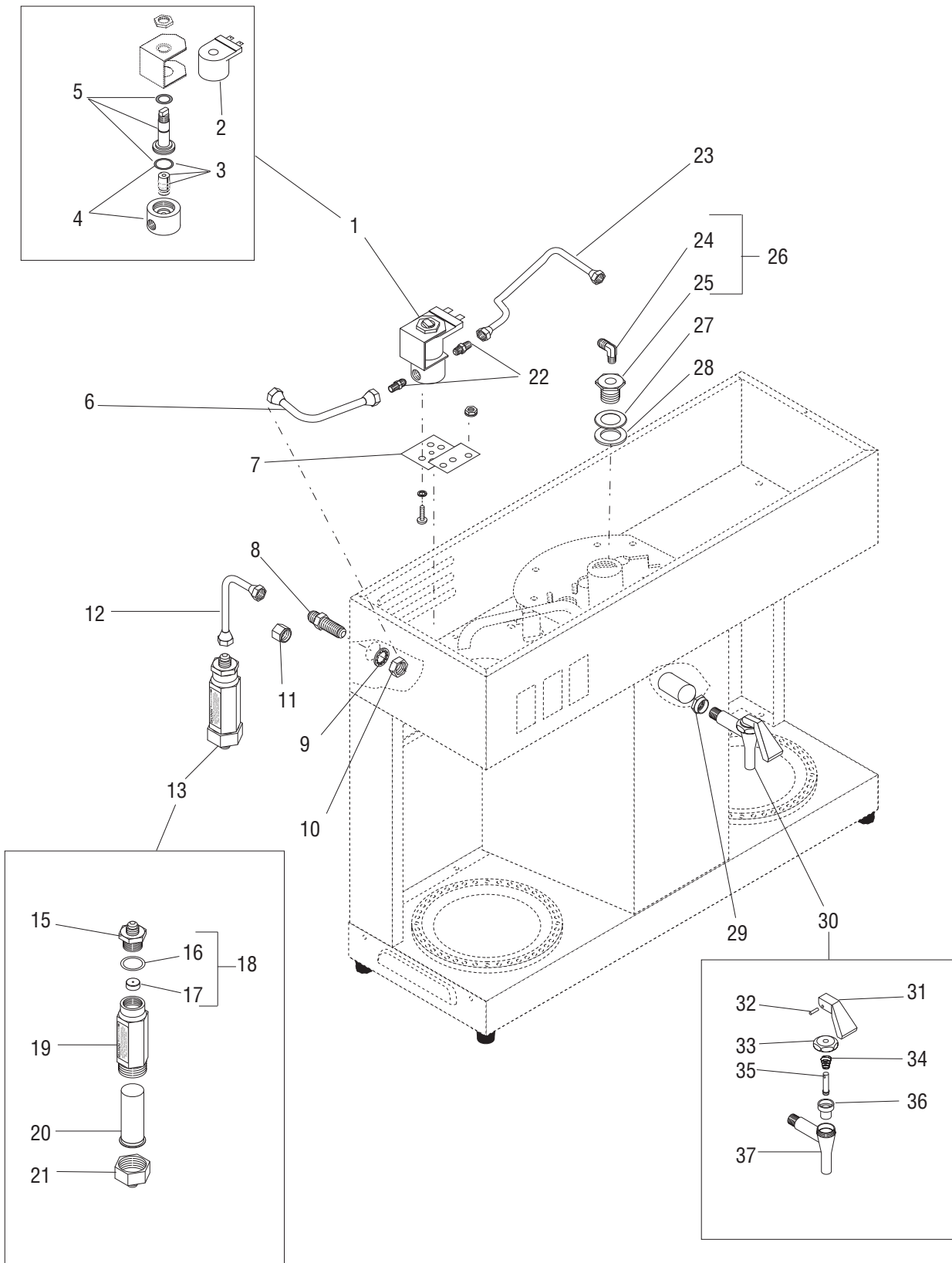
ITEM	PART NO.	QTY.	DESCRIPTION
-	07409.0000	1	Tank Assy, 1320 Watt 120V (Includes items 6-16, 18-21 and 26)
	01315.0000	2	Screw, Truss Head (SST) 8-32 x.38"
1	04314.0001	1	Thermostat Kit (Includes items 2 & 3)
	20762.0000	2	Screw, Binding Head 8-32 x .25" (Terminal Screws)
2	00720.0000	1	Knob, Thermostat
3	07073.0000	1	Grommet, Thermostat
4	00400.0001	1	Elbow, Male - TNPL .25" FLR x .12MPT
5	00948.0000	1	Fitting Inlet .750-16 x .125" FPT
6	00460.0000	1	Fitting Assy, Tank Inlet (Includes items 4 & 5)
7	01540.0000	1	Washer, SST - .750" ID x 1.0" OD x .01
8	01201.0000	1	Gasket, Tank Inlet -Silicone
9	00942.0000	2	Nut, Hex - Brass .50" -20
10	07412.1000	1	Probe Kit, Liquid Level
	01501.0000	1	Washer
	20203.0100	1	Lockwasher #8
	00908.0000	1	Nut #8-32
11	02536.0000	1	Grommet, Silicone
12	07435.0000	1	Tank Lid Assy, W/intake tube
	00908.0000	8	Nut, Hex 8-32
13	04236.1000	1	Tank Heater Kit 1320W 120V (Includes item 14)
14	00943.0000	2	Gasket, Tank Heater
15	29329.1000	1	Thermostat, Limit - 230F - 17A
16	00929.0001	1	Nut/Sleeve
17	07401.0000	1	Fitting, Air Vent
18	07431.0000	1	Tank W/Blanket Warmer 120V (Includes items 18 & 19)
19	07432.0000	1	Tank (12.25" HT W/Fct Ftg)
20	04260.0000	1	Blanket Warmer, 50W 120V
21	04221.0000	1	Gasket, Tank Lid
22	05555.0002	1	Sprayhead Tube Kit (Includes 3 mounting nuts below, items 22 & 23)
	00908.0000	3	Nut, Hex 8-32
23	05518.0000	1	Hub, Syphon
24	05515.0000	1	Gasket, Sprayhead Tube
25	01075.0000	1	Nut, Hex .438" - 20
26	01082.0000	1	Sprayhead, 6-Hole
	01082.0005	1	Sprayhead, 5-Hole (Optional)
	01082.0006	1	Sprayhead, 1-Hole (Optional-Pouch Pack)
27	21016.0008	1	Note: The following items are not illustrated Lead, Elec - Blk 4" Limit Thermo to Tank Heater

STRAINER/FLOW CONTROL & FAUCET

ITEM	PART NO.	QTY.	DESCRIPTION	
1	01085.0002	1	Solenoid, 120V 1" Dia. Coil (Includes items 2 thru 5)	
	01327.0000	2	Screw #10-32 x .375"	
	01502.0000	2	Lockwasher #10	
2	28480.0000	1	Coil 120V	
3	01111.0002	1	Solenoid Valve Repair Kit 120V	
4	28479.0000	1	Base Kit (Includes O-Ring)	
5	28481.0000	1	Guide Kit 120V (Includes Washer and O-Ring)	
6	00310.0000	1	Tube Assy (Solenoid to Bulkhead)	
7	07441.0000	1	Bracket, Solenoid/Relay Mtg	
	00970.0000	2	Nut, Keps #8-32 Zinc Pl	
8	00459.0000	1	Fitting, Bulkhead .25" FLR	
9	01532.0000	1	Lockwasher, Internal Tooth .438"	
10	00463.0000	1	Nut, Brass .438"-20	
11	00935.0000	1	Cap, Brass .25" FLR (For shipping purposes only)	
12	00310.0000	1	Tube Assy (Bulkhead to Strainer/Flow Control)	
13	22300.0175	1	Strainer/Flow Control Assy (.175 GPM)(Includes items 15 thru 21)	
14	24356.0175	1	Str/Flow Comb w/Tbg (.175 GPM) (Includes items 12 & 13)	
15	01154.0000	1	Fitting, Flow Control Outlet	
16	01155.0000	1	Gasket, Flow Control	
17	-----	1	Washer, Flow Control (Order item 18)	
18	20526.1175	1	Washer/Gasket Assy (Includes items 16 & 17)	
19	-----	1	Body (Order item 13)	
20	23721.0000	1	Screen	
21	22249.0000	1	Fitting, Flow Control Inlet	
22	00402.0001	2	Connector .25" FLR x .125" MPT	
23	07442.0000	1	Tube Assy, Solenoid to Tank	
24	-----	1	Elbow, Male - TNPL .25" FLR x .125" MPT	 <p style="text-align: center;">See Tank & Components</p>
25	-----	1	Fitting Inlet .750" -16 x .125" FPT	
26	-----	1	Fitting Assy, Tank Inlet (Includes items 24 & 25)	
27	-----	1	Washer, SST - .750" ID x 1.0" OD x .01"	
28	-----	1	Gasket, Tank Inlet - Silicone	

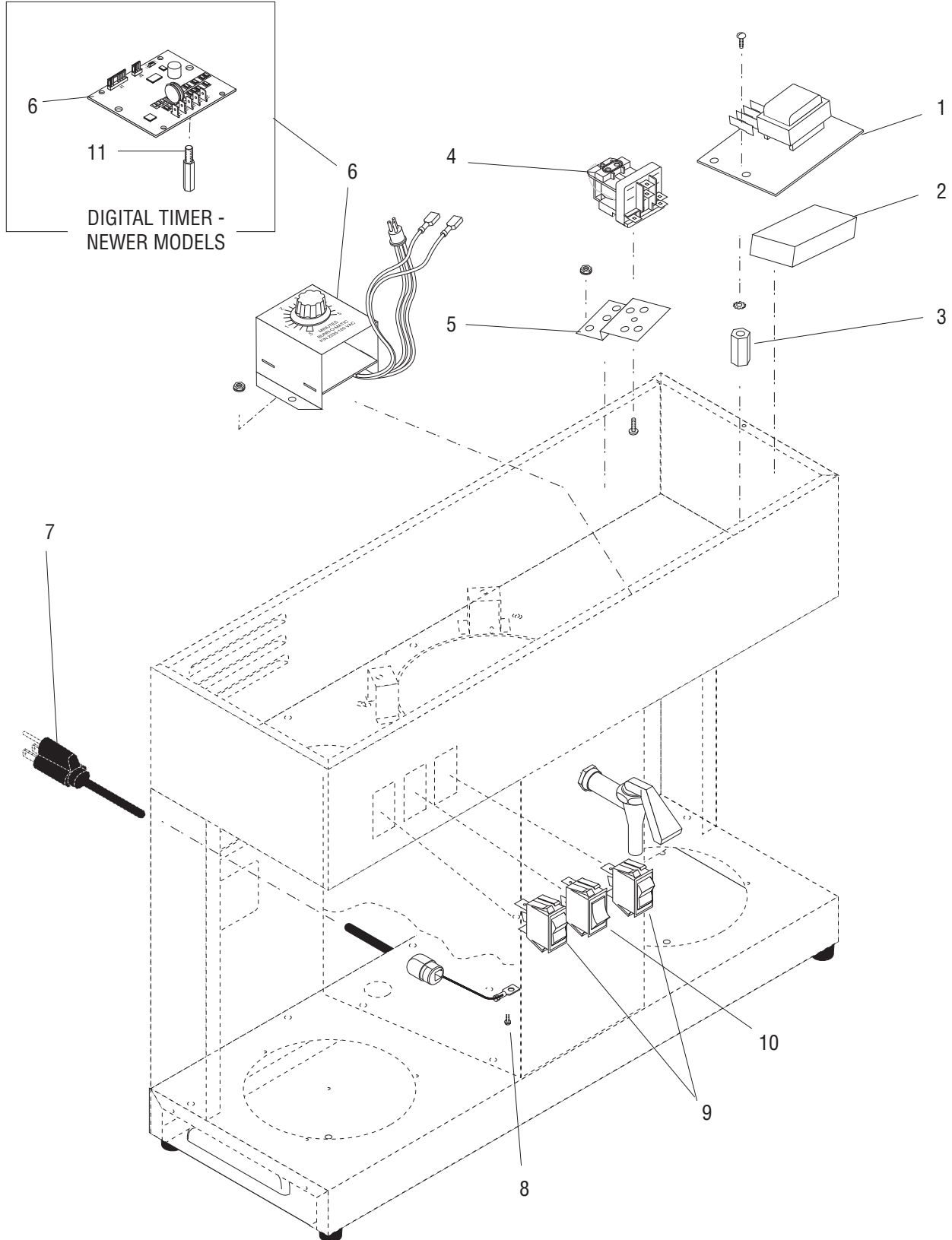
(continued)

(continued)



STRAINER/FLOW CONTROL & FAUCET

ITEM	PART NO.	QTY.	DESCRIPTION
29	02850.0000	1	Nut, Faucet Jam .50"-20 UNF
30	02596.1000	1	Faucet Assy (Includes items 31 thru 37)
31	02601.0000	1	Handle, Red
32	02858.0000	1	Pin
33	02854.0000	1	Nut, Bonnet
34	02595.0000	1	Spring
35	13054.0000	1	Stem
36	02766.0000	1	Faucet, Seat Cup
37	-----	1	Body (Order item 30)
38	02594.0000	-	Faucet Stem W/Pin (Includes items 32 and 35)
39	28706.0000	-	Faucet Repair Kit (Includes items 31,32 and 34 thru 36)

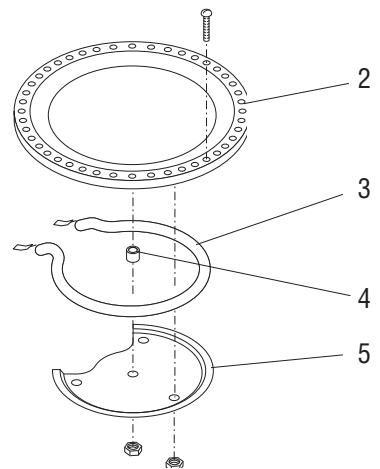
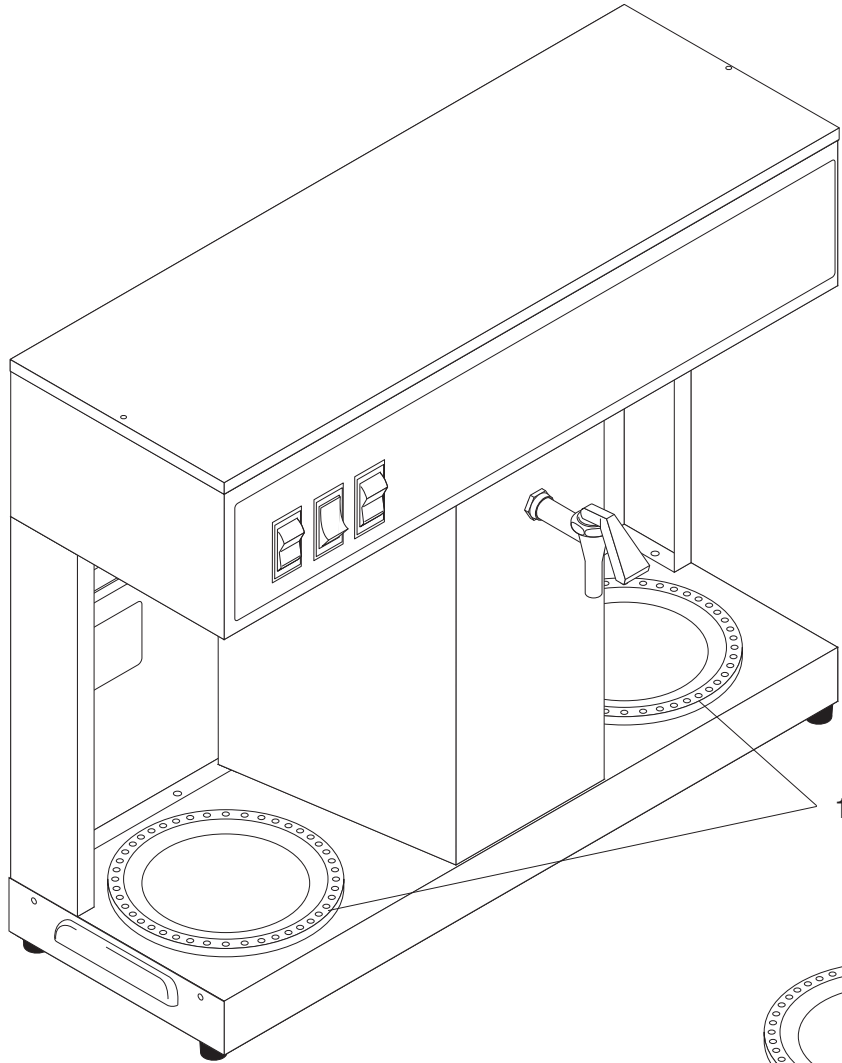


ELECTRICAL & OPERATING CONTROLS

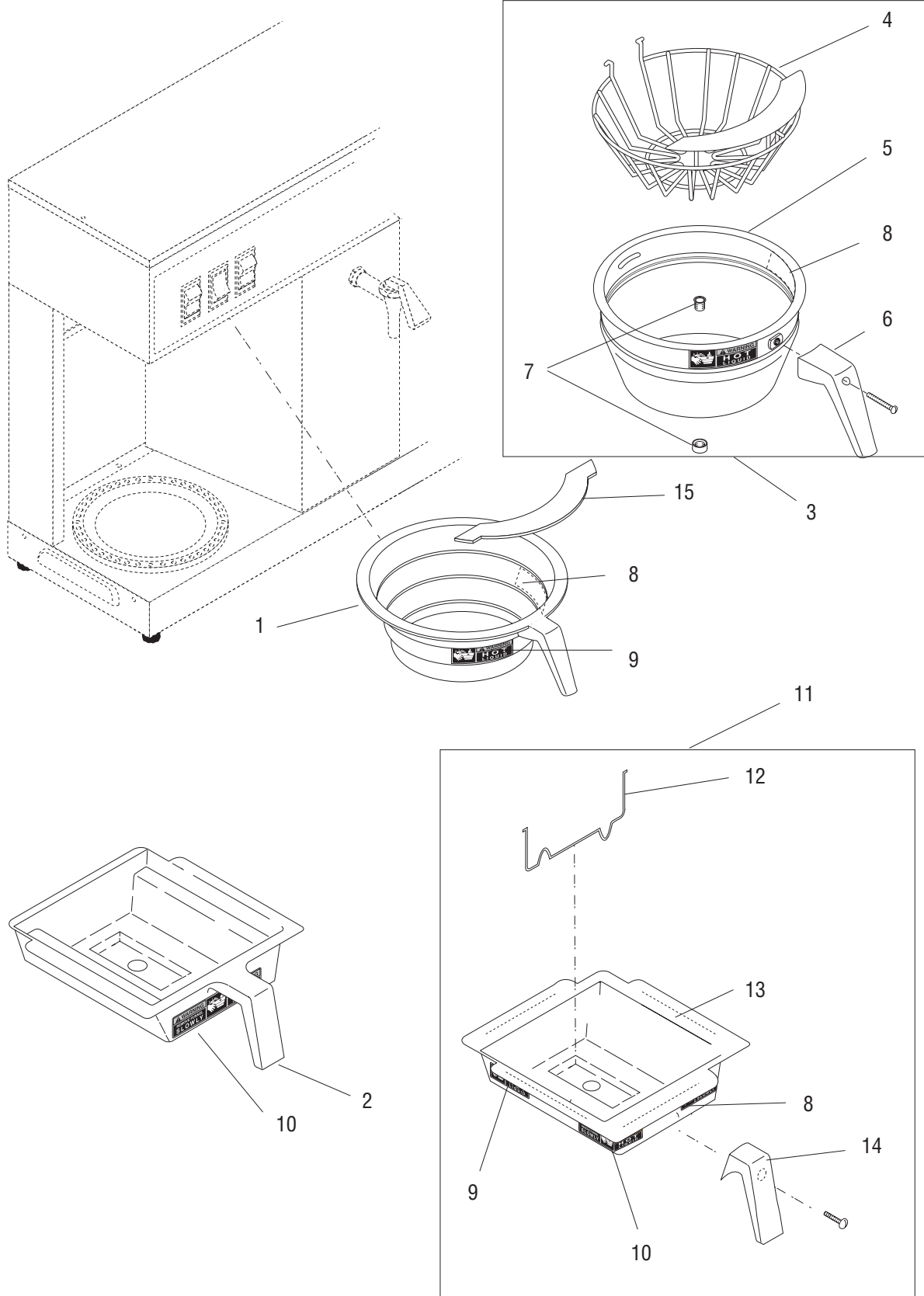
ITEM	PART NO.	QTY.	DESCRIPTION
1	07074.1030	1	Control Board, Level 120V 5 sec
	01311.0000	2	Screw, Truss Head #8-32 x .25"
	01511.0000	2	Lock Washer, Ext T - #8- Zinc. Pl
2	03263.0000	1	Pad, Sponge, ADH Back .5" x 2.0" x 2.0"
3	00950.0000	2	Spacer, Hex Nut 8-32 x .75" HT
4	02618.1000	1	Relay, 120V SPDT
	01347.0000	1	Screw, TRH Serr SST 6-32 x .38"
5	07441.0000	1	Bracket, Solenoid/Relay MTG
	00970.0000	2	Nut, Keps #8-32 Zinc Pl
6	32400.0002	1	Timer, Digital - 120V (Late Models)
	-----	1	Timer, 5 Min - 120V - N.O. (Early Models, Order Item 17)
	00970.0000	2	Nut, Keps #8-32 Zinc Pl
7	01637.0000	1	Cord, Pwr - 16/3 HSJO 5-15P 60"
8	02337.0001	1	Screw #10-32 x .375"
9	02753.0000	2	Switch, On/Off - Light - Amber 120V
10	02628.0000	1	Switch, Mom-Start SPST N.O.
11	23825.0000	2	Spacer

Note: The following items are not illustrated

12	34951.0000	1	Wiring Harness, 120V
13	21016.0030	1	Lead, Elec - BLK 4" (Control Therm to Power Cord)
14	21016.0031	1	Lead, Elec - BLU/BLK 4" (Control Therm to Limit Therm)
15	07014.0000	2	Terminal Housing .25" Recpt
16	29445.0000	1	Wiring Harness, Digital Timer (Early Models with Digital Timers)
17	32400.0000	1	Digital Timer Replacement Kit (Includes Items 6, 11, 12 & 17) (used to replace old style timers)
18	06064.0000	1	Label, Power Cord Warning



WARMER ASSEMBLIES			
ITEM	PART NO.	QTY.	DESCRIPTION
1	03652.0000	2	Warmer Assy, 100W 120V (Includes items 2 thru 5)
	01303.0000	6	Screw #4-40 x .50"
	00916.0000	6	Fastener, "J" Type #4-40
2	03656.0000	1	Dish
3	01227.0000	1	Warmer Element, 100W 120V
4	13042.0001	1	Spacer
5	05212.0000	1	Plate
	00970.0000	2	Nut, Keps #8-32



P1975.85

FUNNELS & BASKET

ITEM	PART NO.	QTY.	DESCRIPTION
1	20583.0003	1	Funnel W/Decals, Plastic - Blk (Includes items 8, 9 & 15)
	20583.0006	1	Funnel W/Decals, Plastic - Orn (Includes items 8, 9 & 15)
2	02774.0001	1	Funnel W/Decals, Pouch Pack - Blk (Small)(Includes item 10)
	04274.0002	1	Funnel W/Decals, Pouch Pack - Blk (Large)(Includes item 10)
3	20216.0000	1	Funnel, SST W/Black Handle (7.125" Dia.)(Includes items 4 thru 9)
	20216.0001	1	Funnel, SST W/Orange Handle (7.125" Dia.)(Includes items 4 thru 9)
4	33088.0000	1	Filter Basket
5	28553.0000	1	Funnel, SST (Includes items 8 & 9)
6	20244.1000	1	Handle, Black (Includes screw)
	20244.1001	1	Handle, Orange (Includes screw)
	01331.0002	1	Screw, RDH LKG Patch #10-32
7	01031.0000	1	Funnel Tip Kit
8	03408.0002	1	Decal, Warning - Remove Funnel
9	03409.0002	1	Decal, Warning - Hot Liquid
10	28694.0000	1	Decal, Warning - Hot Liquid/Remove Funnel
11	29151.0000	1	Funnel Assy, SST - Pouch Pack Blk Handle(Includes items 8-10 & 12-14)
12	29845.0000	1	Insert, Pouch Pack Funnel - wireform
13	-----	1	Funnel (order item 11)
14	29152.1000	1	Funnel Handle Kit, SST Pouch Pack Blk (Includes screw)
	29152.1001	1	Funnel Handle Kit, SST Pouch Pack Orn (Includes screw)
	01331.0002	1	Screw, RDH LKG Patch #10-32
15	32964.0000	1	Splash Guard

NUMERICAL INDEX

PART NO.	PAGE NO.	PART NO.	PAGE NO.	PART NO.	PAGE NO.	PART NO.	PAGE NO.
00310.0000.....	9	02628.0000.....	13	21016.0008.....	7		
00400.0001.....	7,9	02753.0000.....	13	21016.0030.....	13		
00402.0001.....	9	02766.0000.....	11	21016.0031.....	13		
00459.0000.....	9	02774.0001.....	17	22124.0000.....	5		
00460.0000.....	7,9	02776.0000.....	5	22249.0000.....	9		
00463.0000.....	9	02850.0000.....	11	22300.0175.....	9		
00656.0000.....	5	02854.0000.....	11	23721.0000.....	9		
00658.0000.....	5	02858.0000.....	11	23825.0000.....	13		
00720.0000.....	7	03263.0000.....	13	24356.0175.....	9		
00831.0000.....	5	03408.0002.....	17	25154.0001.....	5		
00882.0000.....	5	03409.0002.....	17	28479.0000.....	9		
00908.0000.....	5,7	03652.0000.....	15	28480.0000.....	9		
00916.0000.....	15	03656.0000.....	15	28481.0000.....	9		
00929.0001.....	7	04198.0001.....	7	28553.0000.....	17		
00935.0000.....	9	04203.0000.....	5	28694.0000.....	17		
00942.0000.....	7	04204.0005.....	5	28706.0000.....	11		
00943.0000.....	7	04221.0000.....	7	29151.0000.....	17		
00948.0000.....	7,9	04236.1000.....	7	29152.1000.....	17		
00950.0000.....	13	04260.0000.....	7	29152.1001.....	17		
00970.0000.....	5,9,13,15	04314.0001.....	7	29445.0000.....	13		
00978.0000.....	5	04273.1000.....	5	29329.1000.....	7		
01031.0000.....	17	04274.0002.....	17	29845.0000.....	17		
01075.0000.....	7	05212.0000.....	15	32400.0000.....	13		
01082.0000.....	7	05515.0000.....	7	32400.0002.....	13		
01085.0002.....	9	05518.0000.....	7	32540.0000.....	5		
01082.0005.....	7	05555.0002.....	7	32964.0000.....	17		
01082.0006.....	7	06064.0000.....	13	33088.0000.....	17		
01111.0002.....	9	07014.0000.....	13	34951.0000.....	13		
01154.0000.....	9	07073.0000.....	7	37881.0000.....	5		
01155.0000.....	9	07074.1030.....	13				
01201.0000.....	7,9	07401.0000.....	7				
01227.0000.....	15	07406.1000.....	5				
01303.0000.....	5,15	07408.0000.....	5				
01311.0000.....	5,13	07409.0000.....	7				
01315.0000.....	7	07412.1000.....	7				
01327.0000.....	9	07431.0000.....	7				
01331.0002.....	17	07432.0000.....	7				
01347.0000.....	13	07435.0000.....	7				
01501.0000.....	7	07441.0000.....	9,13				
01502.0000.....	9	07442.0000.....	9				
01511.0000.....	13	10178.0000.....	5				
01532.0000.....	9	12364.0000.....	5				
01540.0000.....	7,9	13024.0001.....	15				
01637.0000.....	13	13054.0000.....	11				
01663.0000.....	5	20203.0100.....	7				
01686.0000.....	5	20216.0000.....	17				
02332.0002.....	5	20216.0001.....	17				
02337.0001.....	13	20244.1000.....	17				
02536.0000.....	7	20244.1001.....	17				
02594.0000.....	11	20526.1175.....	9				
02595.0000.....	11	20583.0003.....	17				
02596.1000.....	11	20583.0006.....	17				
02601.0000.....	11	20762.0000.....	7				
02618.1000.....	13						