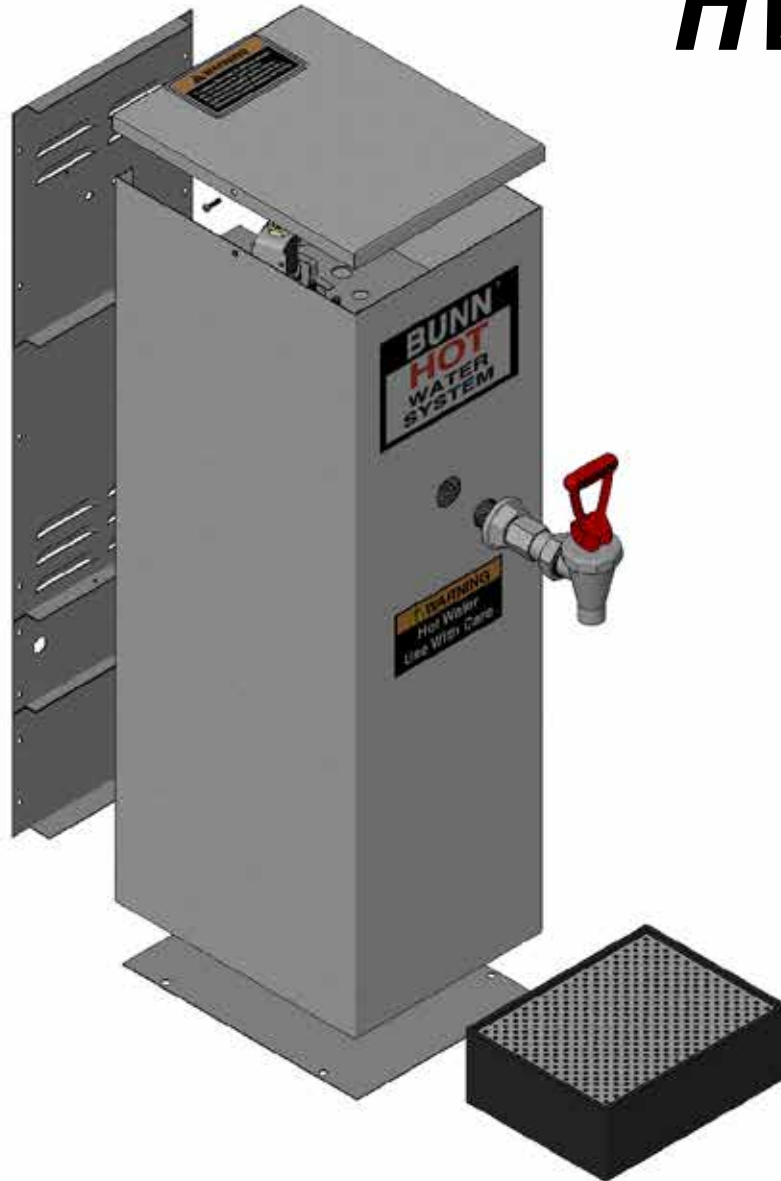


---

# BUNN®

# HW2 HW2A



## ILLUSTRATED PARTS CATALOG

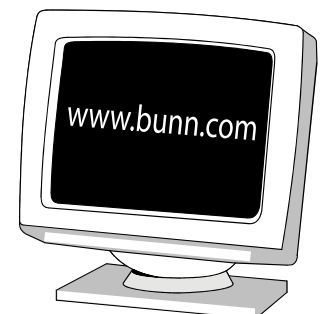
Designs, materials, weights, specifications, and dimensions for equipment or replacement parts are subject to change without notice.

**BUNN-O-MATIC CORPORATION**

POST OFFICE BOX 3227

SPRINGFIELD, ILLINOIS 62708-3227

PHONE: (217) 529-6601 FAX: (217) 529-6644



## **BUNN-O-MATIC COMMERCIAL PRODUCT WARRANTY**

Bunn-O-Matic Corp. ("BUNN") warrants equipment manufactured by it as follows:

- 1) Airpots, thermal carafes, decanters, GPR servers, iced tea/coffee dispensers, MCP/MCA pod brewers thermal servers and Thermofresh servers (mechanical and digital)- 1 year parts and 1 year labor.
- 2) All other equipment - 2 years parts and 1 year labor plus added warranties as specified below:
  - a) Electronic circuit and/or control boards - parts and labor for 3 years.
  - b) Compressors on refrigeration equipment - 5 years parts and 1 year labor.
  - c) Grinding burrs on coffee grinding equipment to grind coffee to meet original factory screen sieve analysis - parts and labor for 4 years or 40,000 pounds of coffee, whichever comes first.

These warranty periods run from the date of installation BUNN warrants that the equipment manufactured by it will be commercially free of defects in material and workmanship existing at the time of manufacture and appearing within the applicable warranty period. This warranty does not apply to any equipment, component or part that was not manufactured by BUNN or that, in BUNN's judgment, has been affected by misuse, neglect, alteration, improper installation or operation, improper maintenance or repair, non periodic cleaning and descaling, equipment failures related to poor water quality, damage or casualty. In addition, the warranty does not apply to replacement of items subject to normal use including but not limited to user replaceable parts such as seals and gaskets. This warranty is conditioned on the Buyer 1) giving BUNN prompt notice of any claim to be made under this warranty by telephone at (217) 529-6601 or by writing to Post Office Box 3227, Springfield, Illinois 62708-3227; 2) if requested by BUNN, shipping the defective equipment prepaid to an authorized BUNN service location; and 3) receiving prior authorization from BUNN that the defective equipment is under warranty.

**THE FOREGOING WARRANTY IS EXCLUSIVE AND IS IN LIEU OF ANY OTHER WARRANTY, WRITTEN OR ORAL, EXPRESS OR IMPLIED, INCLUDING, BUT NOT LIMITED TO, ANY IMPLIED WARRANTY OF EITHER MERCHANTABILITY OR FITNESS FOR A PARTICULAR PURPOSE.** The agents, dealers or employees of BUNN are not authorized to make modifications to this warranty or to make additional warranties that are binding on BUNN. Accordingly, statements by such individuals, whether oral or written, do not constitute warranties and should not be relied upon.

If BUNN determines in its sole discretion that the equipment does not conform to the warranty, BUNN, at its exclusive option while the equipment is under warranty, shall either 1) provide at no charge replacement parts and/or labor (during the applicable parts and labor warranty periods specified above) to repair the defective components, provided that this repair is done by a BUNN Authorized Service Representative; or 2) shall replace the equipment or refund the purchase price for the equipment.

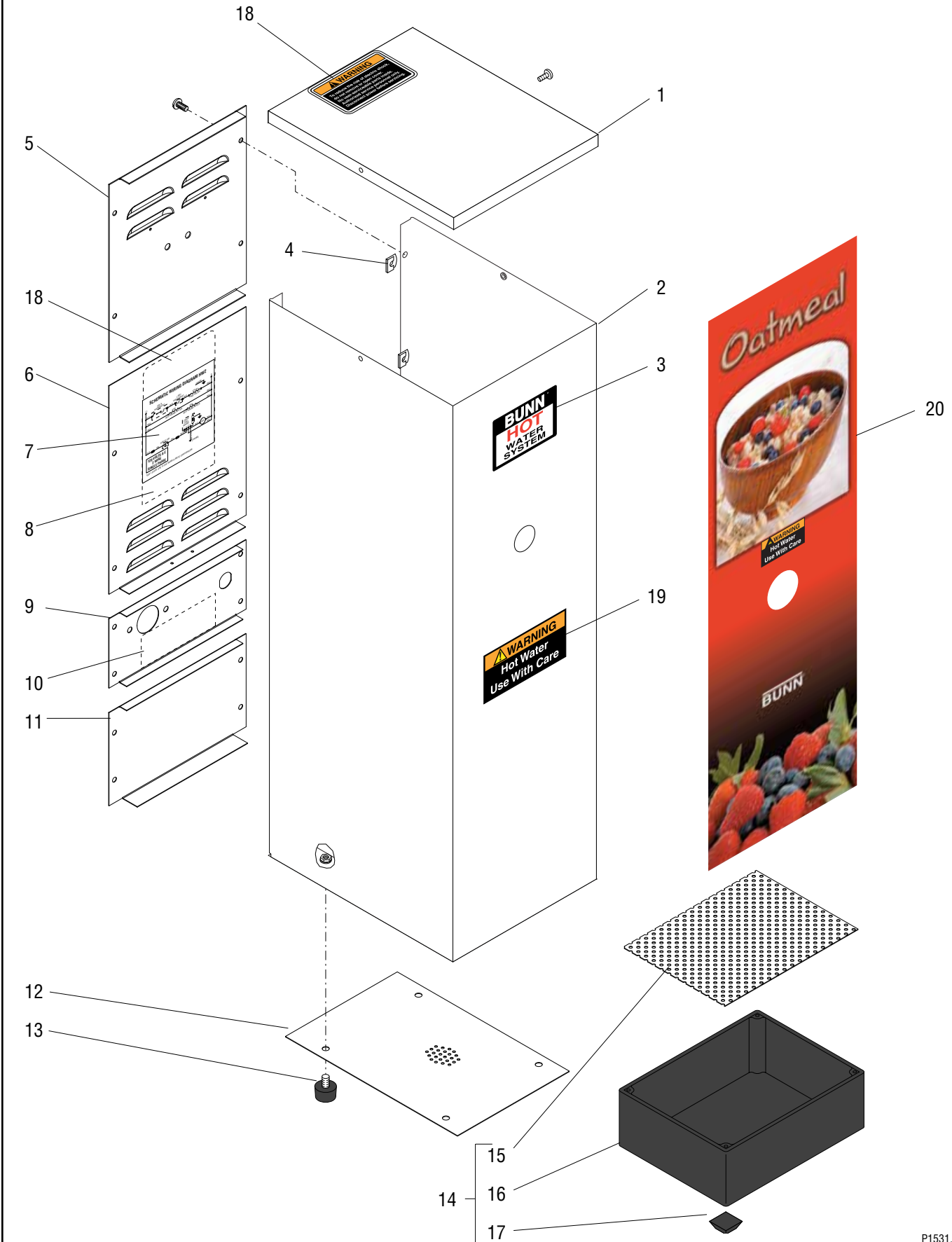
**THE BUYER'S REMEDY AGAINST BUNN FOR THE BREACH OF ANY OBLIGATION ARISING OUT OF THE SALE OF THIS EQUIPMENT, WHETHER DERIVED FROM WARRANTY OR OTHERWISE, SHALL BE LIMITED, AT BUNN'S SOLE OPTION AS SPECIFIED HEREIN, TO REPAIR, REPLACEMENT OR REFUND.**

In no event shall BUNN be liable for any other damage or loss, including, but not limited to, lost profits, lost sales, loss of use of equipment, claims of Buyer's customers, cost of capital, cost of down time, cost of substitute equipment, facilities or services, or any other special, incidental or consequential damages.

392, A Partner You Can Count On, Air Infusion, AutoPOD, AXIOM, BrewLOGIC, BrewMETER, Brew Better Not Bitter, BrewWISE, BrewWIZARD, BUNN Espresso, BUNN Family Gourmet, BUNN Gourmet, BUNN Pour-O-Matic, BUNN, BUNN with the stylized red line, BUNNlink, Bunn-O-Matic, Bunn-O-Matic, BUNNserve, BUNNSERVE with the stylized wrench design, Cool Froth, DBC, Dr. Brew stylized Dr. design, Dual, Easy Pour, EasyClear, EasyGard, FlavorGard, Gourmet Ice, Gourmet Juice, High Intensity, iMIX, Infusion Series, Intellisteam, My Café, Phase Brew, PowerLogic, Quality Beverage Equipment Worldwide, Respect Earth, Respect Earth with the stylized leaf and coffee cherry design, Safety-Fresh, savemycoffee.com, Scale-Pro, Silver Series, Single, Smart Funnel, Smart Hopper, SmartWAVE, Soft Heat, SplashGard, The Mark of Quality in Beverage Equipment Worldwide, ThermoFresh, Titan, trifecta, Velocity Brew, Air Brew, Beverage Bar Creator, Beverage Profit Calculator, Brew better, not bitter., BUNNSource, Coffee At Its Best, Cyclonic Heating System, Daypart, Digital Brewer Control, Element, Nothing Brews Like a BUNN, Pouring Profits, Signature Series, Tea At Its Best, The Horizontal Red Line, Ultra are either trademarks or registered trademarks of Bunn-O-Matic Corporation. The commercial trifecta® brewer housing configuration is a trademark of Bunn-O-Matic Corporation.

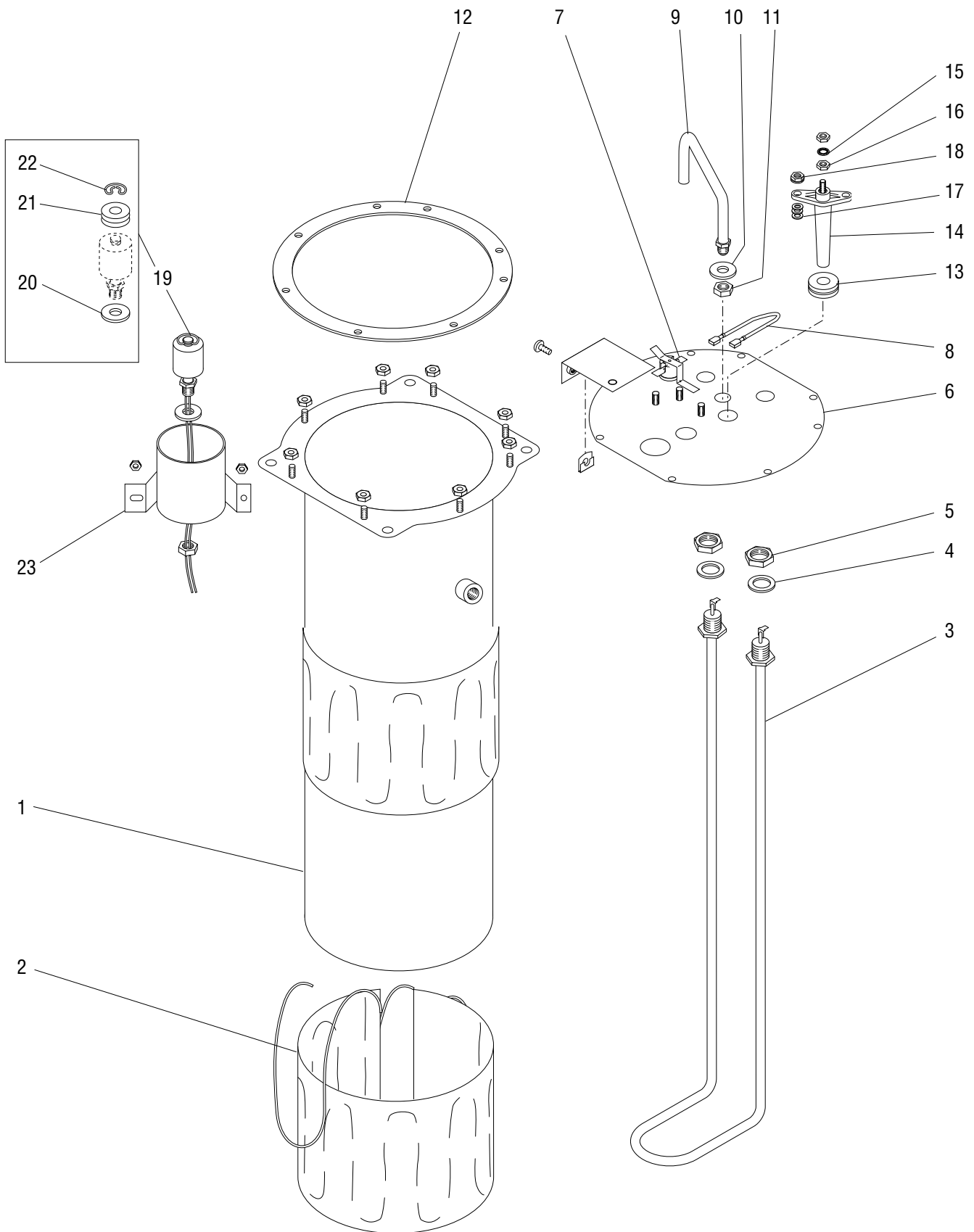
# TABLE OF CONTENTS

|   |    |
|---|----|
| HOUSING AND COVERS .....                | 4  |
| TANK AND COMPONENTS .....               | 6  |
| STRAINER/FLOW CONTROL .....             | 8  |
| LATE MODEL INLET VALVE.....             | 10 |
| TANK FAUCET .....                       | 12 |
| ELECTRICAL AND OPERATING CONTROLS ..... | 14 |
| NUMERICAL INDEX .....                   | 16 |



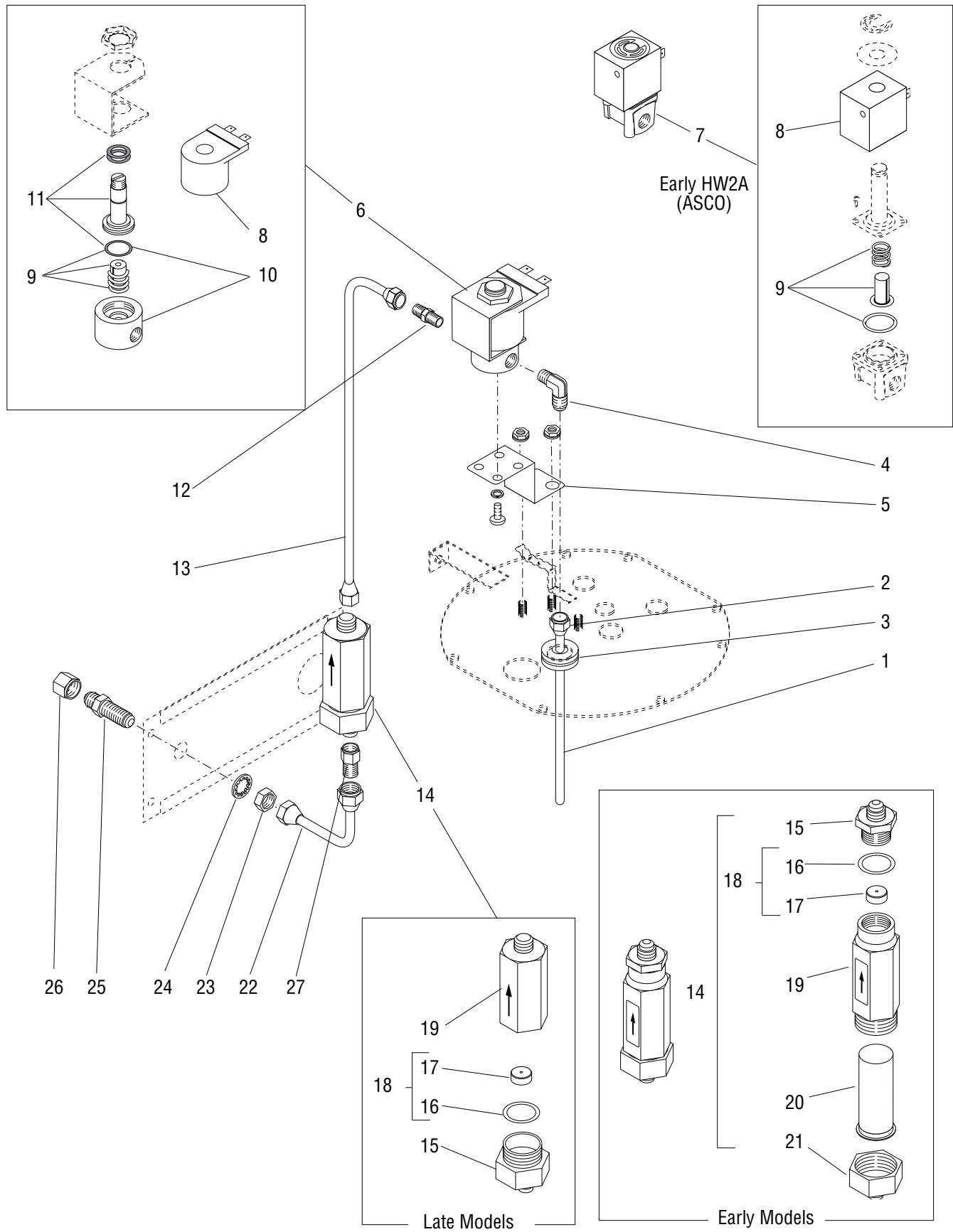
## HOUSING AND COVERS

| ITEM | PART NO.    | QTY. | DESCRIPTION  |
|------|-------------|------|--|
| 1    | 02506.0000  | 1    | Lid, Top (SST)   |
|      | 02506.0001  | 1    | Lid, Top (BLK)   |
|      | 01303.0000  | 2    | Screw, #4-40 x .50"  |
| 2    | 02510.0005  | 1    | Housing (SST)(Also order item 3)   |
|      | 02510.0006  | 1    | Housing (BLK)(Also order item 3)   |
|      | 02510.1007  | 1    | Housing (ST) (Lowered Faucet) (Also order item 20)                             |
| 3    | 00657.0000  | 1    | Decal, BUNN HOT WATER  |
| 4    | 00917.0000  | 16   | Clip, "J" Type, #8-32  |
| 5    | 02504.0002  | 1    | Panel (SST)  |
|      | 02504.0001  | 1    | Panel (BLK)  |
|      | 01311.0000  | 4    | Screw, #8-32 x .25"  |
| 6    | 28918.0000  | 1    | Panel W/Decals (SST)(Includes item 8. Also order item 7 for Model HW2)         |
|      | 28918.0001  | 1    | Panel W/Decals (BLK)(Includes item 8. Also order item 7 for Model HW2)         |
|      | 01311.0000  | 4    | Screw, #8-32 x .25"  |
| 7    | 10261.0000  | 1    | Decal, ELECTRICAL SCHEMATIC (120V)   |
|      | 10261.0001* | 1    | Decal, ELECTRICAL SCHEMATIC (240V)   |
| 8    | 00831.0000  | 1    | Decal, ELECTRICAL WARNING  |
| 9    | 02508.0000  | 1    | Panel (SST)(HW2 only. Also order item 10) Early Models w/Tank Mounted Valve    |
|      | 02508.0005  | 1    | Panel (SST)(HW2 only) Current Style W/.75" Hose Fitting. <a href="#">Shown</a> |
|      | 02508.0004  | 1    | Panel (BLK)(HW2 only. Also order item 10) Early Models w/Tank Mounted Valve    |
|      | 02508.0006  | 1    | Panel (BLK) Current Style W/.75" Hose Fitting.                                 |
|      | 02508.0002* | 1    | Panel (HW2A only)  |
|      | 01311.0000  | 4    | Screw, #8-32 x .25"  |
| 10   | 00656.0000  | 1    | Decal, PLUMBING CODE   |
| 11   | 02505.0000  | 1    | Panel (SST)  |
|      | 02505.0001  | 1    | Panel (BLK)  |
|      | 01311.0000  | 4    | Screw, #8-32 x .25"  |
| 12   | 02507.0001  | 1    | Plate, Bottom  |
| 13   | 25137.0002  | 4    | Foot, Rubber   |
|      | 00970.0000  | 4    | Nut, KEPS #8-32  |
| 14   | 02497.0000  | 1    | Drip Tray Kit (Includes items 15 thru 17)                                      |
| 15   | 02546.0000  | 1    | Cover  |
| 16   | 02545.0000  | 1    | Drip Tray  |
| 17   | 02547.0000  | 4    | Foot, Rubber (Early models)  |
|      | 04198.0001  | 1    | Foot Kit, Rubber (Includes 4 Feet)(Late models)                                |
| 18   | 37881.0000  | 2    | Decal, No Serviceable Parts  |
| 19   | 12593.0000  | 1    | Decal, Warning - Hot Water   |
| 20   | 41471.0002  | 1    | Decal, Full Front, Low Faucet  |



## TANK AND COMPONENTS

| ITEM | PART NO.   | QTY. | DESCRIPTION  |
|------|------------|------|--|
| -    | -----      | 1    | Tank Assembly (Includes items 1 thru 12) (Not available. Order components) |
|      | 00912.0000 | 1    | Clip "J" Type, #8-32 (Early models only)                                   |
|      | 01315.0000 | 1    | Screw, #8-32 x .375" SST   |
|      | 01317.0005 | 1    | Screw, #8-32 x .375" Blk   |
| 1    | 02515.0007 | 1    | Tank (Standard)  |
|      | 02515.1008 | 1    | Tank (Lowered Faucet)  |
| 2    | 02575.0000 | 2    | Blanket Warmer,120V (HW2 Only)   |
|      | 01929.0000 | 2    | Blanket Warmer,240V (HW2A Only)  |
| 3    | 02534.1000 | 1    | Tank Heater Kit, 120V 1700W (HW2) (Includes item 4)                        |
|      | 02494.1000 | 1    | Tank Heater Kit, 230V 1700W (HW2A)(Includes item 4)                        |
|      | 38994.1000 | 1    | Tank Heater Kit, 230V 3000W (HW2A)(Includes item 4)                        |
| 4    | 00943.0000 | 2    | Gasket   |
| 5    | 00942.0000 | 2    | Nut, Hex .50"-20   |
| 6    | 02525.0001 | 1    | Lid, Tank  |
|      | 00908.0000 | 8    | Nut, #8-32   |
| 7    | 29329.1000 | 1    | Thermostat, Limit  |
| 8    | 21016.0008 | 2    | Lead (HW2 Only)  |
|      | 20211.0100 | 2    | Thermal Cut-off (HW2A Only)  |
| 9    | 02513.0000 | 1    | Tube   |
| 10   | 03633.0000 | 1    | Gasket   |
| 11   | 01075.0000 | 1    | Nut, Hex .438"-20  |
| 12   | 04221.0000 | 1    | Gasket, Tank Lid   |
| 13   | 02536.0000 | 1    | Grommet  |
| 14   | 07048.1000 | 1    | Probe Replacement Kit (Includes items 15 and 16)                           |
| 15   | 20203.0100 | 1    | Lockwasher, Internal Tooth #8  |
| 16   | 00908.0000 | 2    | Nut, Hex #8-32   |
| 17   | 01522.0000 | 3    | Washer,Spacer  |
| 18   | 00971.0000 | 1    | Nut, Keps #10-32   |
| 19   | 03803.0000 | 1    | Switch Assy, Level Float (Includes items 20 thru 22)                       |
|      | 00946.0000 | 1    | Nut, Hex .125"-27  |
| 20   | 03633.0000 | 1    | Gasket   |
| 21   | -----      | 3    | Washer, Adjusting <b>(DO NOT USE IN THIS APPLICATION)</b>                  |
| 22   | 03807.0000 | 1    | Clip, Spring   |
| 23   | 02520.0000 | 1    | Cup, Overflow  |
|      | 00971.0000 | 2    | Nut, Keps #10-32   |

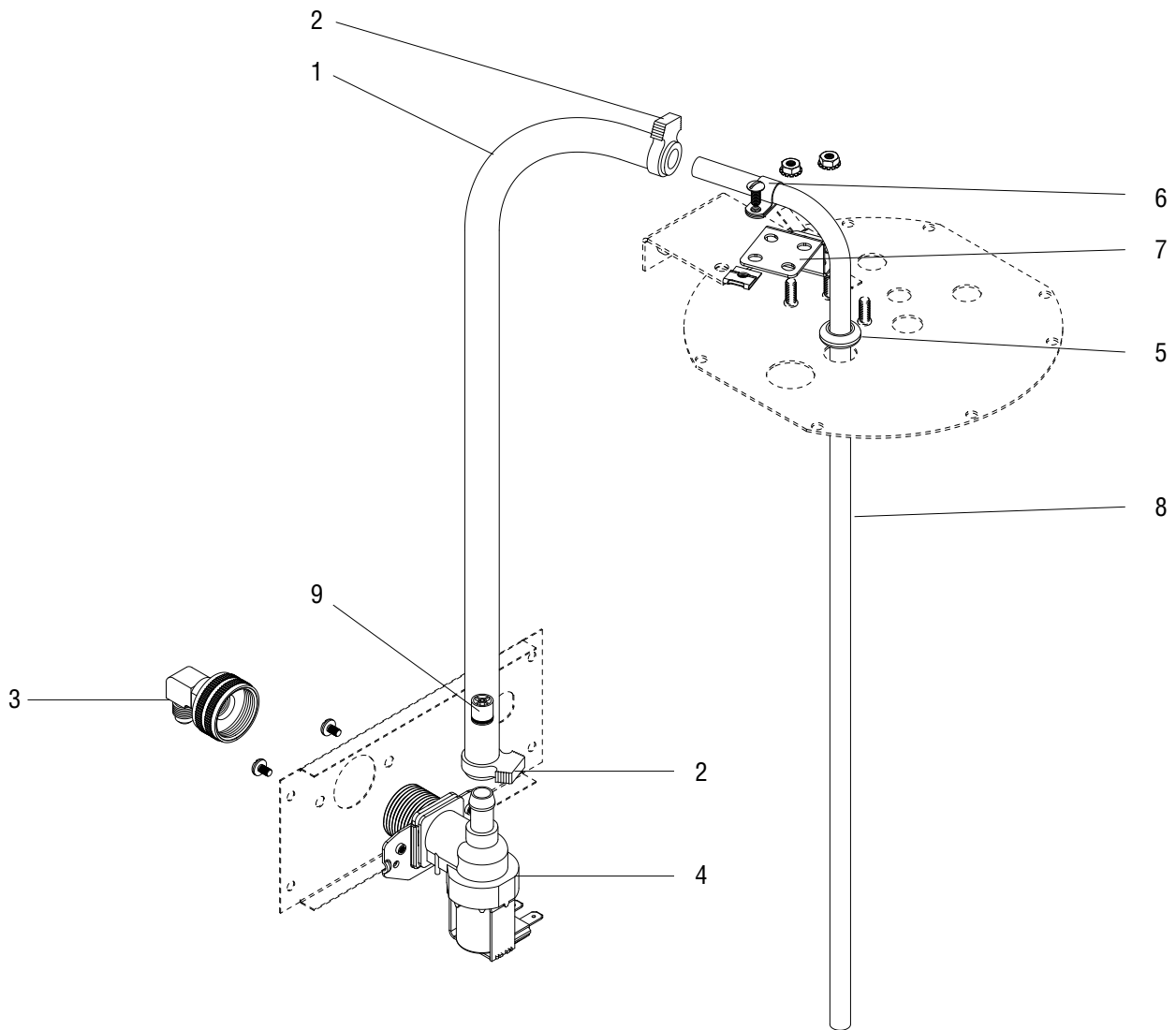


P1533



## STRAINER/FLOW CONTROL

| ITEM | PART NO.   | QTY. | DESCRIPTION  |
|------|------------|------|--|
| 1    | 02533.0000 | 1    | Tube (Includes item 2)   |
| 2    | 00929.0001 | 1    | Nut, Compression   |
| 3    | 07075.0000 | 1    | Grommet  |
| 4    | 21695.0001 | 1    | Elbow, Compression .38" x .125" MPT  |
| 5    | 28130.0001 | 1    | Bracket, Solenoid Mounting (HW2 only) (Skinner & Kip)                          |
|      | 28130.0000 | 1    | Bracket, Solenoid Mounting (HW2A only) (Asco)                                  |
|      | 00971.0000 | 2    | Nut, Keps #10-32   |
| 6    | 01085.0000 | 1    | Solenoid, 120V 1.5" Dia. Coil (Early HW2 only) (Includes items 8 thru 11)      |
|      | 01085.0002 | 1    | Solenoid, 120V 1" Dia. Coil (HW2 only) (Includes items 8 thru 11)              |
|      | 01975.0000 | 1    | Solenoid, 240V 1.5" Dia. Coil (Later HW2A only) (Includes items 8 thru 11)     |
|      | 01327.0000 | 2    | Screw, #10-32 x .375"  |
|      | 01502.0000 | 2    | Lockwasher, #10  |
| 7    | 28005.0000 | 1    | Solenoid, 240V (Early HW2A only)(Includes items 8 and 9) (Asco)                |
|      | 02329.0000 | 2    | Screw, Locking #8-32 x .375"   |
| 8    | 28480.0000 | 1    | Coil 120V 1" Dia. Coil (Kip)   |
|      | 28020.0000 | 1    | Coil 240V (Early HW2A only) (Asco)   |
|      | 01100.0000 | 1    | Coil, 240V 1.5" Dia. Coil (Later HW2A only) (Skinner)                          |
|      | 01101.0000 | 1    | Coil, 120V 1.5" Dia. Coil (Early HW2 only) (Skinner)                           |
| 9    | 01111.0000 | 1    | Solenoid Valve Repair Kit 120V & 240V (1.5" Dia. Coil) (Skinner)               |
|      | 01111.0002 | 1    | Solenoid Valve Repair Kit 120V & 240V (1.0" Dia. Coil) (Kip)                   |
|      | 28021.0000 | 1    | Solenoid Valve Repair Kit 240V (1.0" Dia. Coil) (Early HW2A only) (Asco)       |
| 10   | 01079.0000 | 1    | Base Kit (Includes O-ring) (1.5" Dia. Coil) (Skinner)                          |
|      | 28479.0000 | 1    | Base Kit (Includes O-ring) (1.0" Dia. Coil) (Kip)                              |
| 11   | 01116.0000 | 1    | Guide Kit (1.5" Dia. Coil) (Includes Washer and O-ring) (Skinner)              |
|      | 28481.0000 | 1    | Guide Kit (1.0" Dia. Coil) (Includes Washer and O-ring) (Kip)                  |
| 12   | 00402.0001 | 1    | Connector, Male .25" FLR x .125" MPT   |
| 13   | 21814.0031 | 1    | Tube   |
| 14   | 22300.0750 | 1    | Strainer/Flow Control Assy (.750 GPM)(Includes items 15 thru 21)(Early Models) |
|      | 20528.1750 | 1    | Flow Control Assy (.750 GPM)(Includes items 15 thru 19)(Late Models)           |
| 15   | 01154.0000 | 1    | Flow Control Outlet (Early Models)   |
|      | 01154.0001 | 1    | Flow Control Outlet (Late Models)  |
| 16   | 01155.0000 | 1    | Gasket, Flow Control   |
| 17   | -----      | 1    | Washer, Flow Control   |
| 18   | 20526.1750 | 1    | Washer/Gasket Assy (Includes item 16 and 17)                                   |
| 19   | -----      | 1    | Body (Order item 14)   |
| 20   | 23721.0000 | 1    | Screen   |
| 21   | 22249.0000 | 1    | Cap, End   |
| 22   | 00310.0005 | 1    | Tube (Early Models)(w/Strainer/Flow Control)                                   |
|      | 21814.0016 | 1    | Tube (Late Models)(w/Flow Control)   |
| 23   | 00463.0000 | 1    | Nut, Hex .438"-20  |
| 24   | 01532.0000 | 1    | Lockwasher, Internal Tooth .438"   |
| 25   | 00459.0000 | 1    | Fitting, Bulkhead .25" Flare   |
| 26   | 00935.0000 | 1    | Cap, Flare (For Shipping Purposes only)  |
| 27   | 00445.0001 | 1    | Connector .25" male flare x .125"FPT (Late Models)                             |
| 28   | 01060.0000 | -    | Wrench, Solenoid Valve (Not Illustrated)(HW2 only)                             |
|      | 01066.0000 | -    | Wrench, Spanner (Not Illustrated)(HW2 only)                                    |

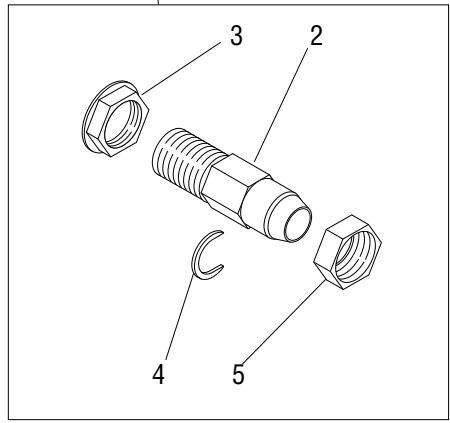
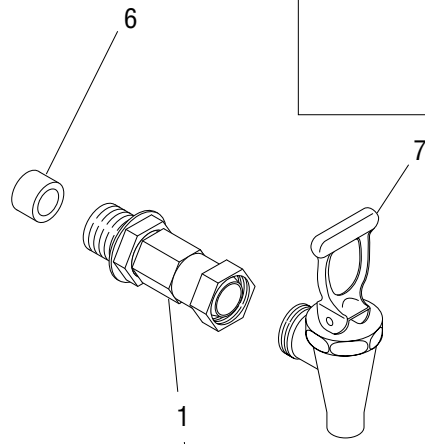
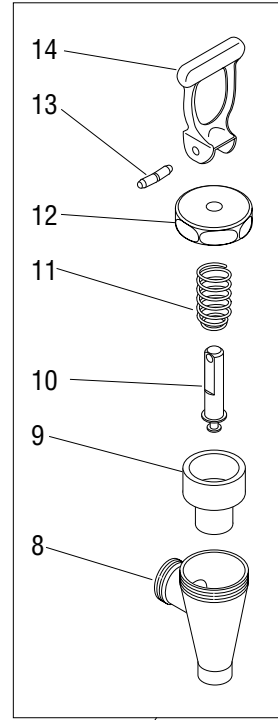
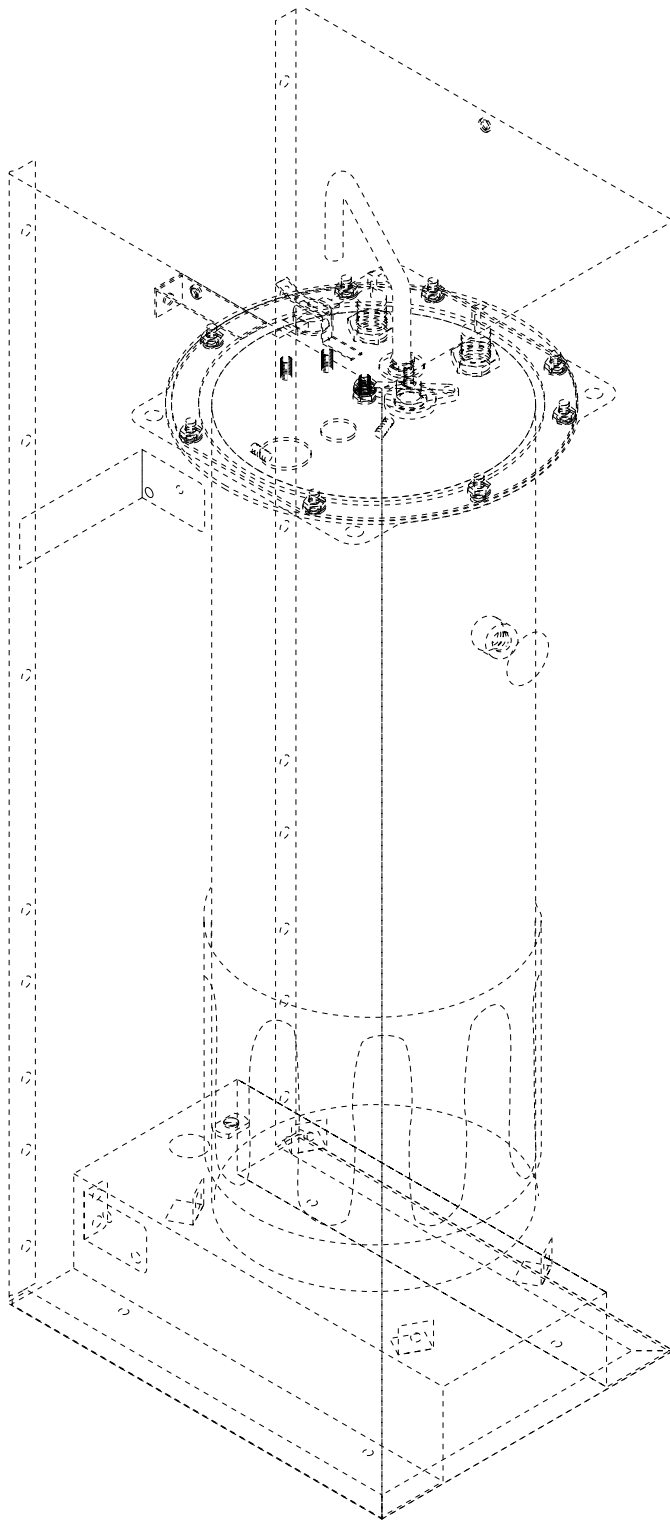


## LATE MODEL INLET VALVE

| ITEM | PART NO.    | QTY. | DESCRIPTION                                |
|------|-------------|------|--|
| 1    | 20976.0063* | 1    | Tube, Silicone .375"ID x 16.0" (Order # 9) |
| 2    | 12422.0001  | 2    | Clamp, SNP 10                              |
| 3    | 37297.1006  | 1    | Elbow                                      |
| 4    | 42025.0000  | 1    | Kit, Valve 120V (.750GPM Flow Control)     |
|      | 42025.0001  | 1    | Kit, Valve 230V (.750GPM Flow Control)     |
|      | 32283.0000  | 2    | Screw, M4 x 6MM                            |
| 5    | 07075.0000  | 1    | Grommet                                    |
| 6    | 26263.0001  | 1    | Clamp, SST                                 |
|      | 01382.0000  | 1    | Screw, #6-32 x .375"                       |
|      | 00988.0000  | 1    | Fastener, U-Type #6-32                     |
| 7    | 28130.0001  | 1    | Bracket                                    |
|      | 00971.0000  | 2    | Nut, Keps #10-32                           |
| 8    | 43789.0000  | 1    | Tube, Tank Fill                            |
| 9    | 36378.0001  | 1    | Check Valve (Later HW2A Models Only)       |

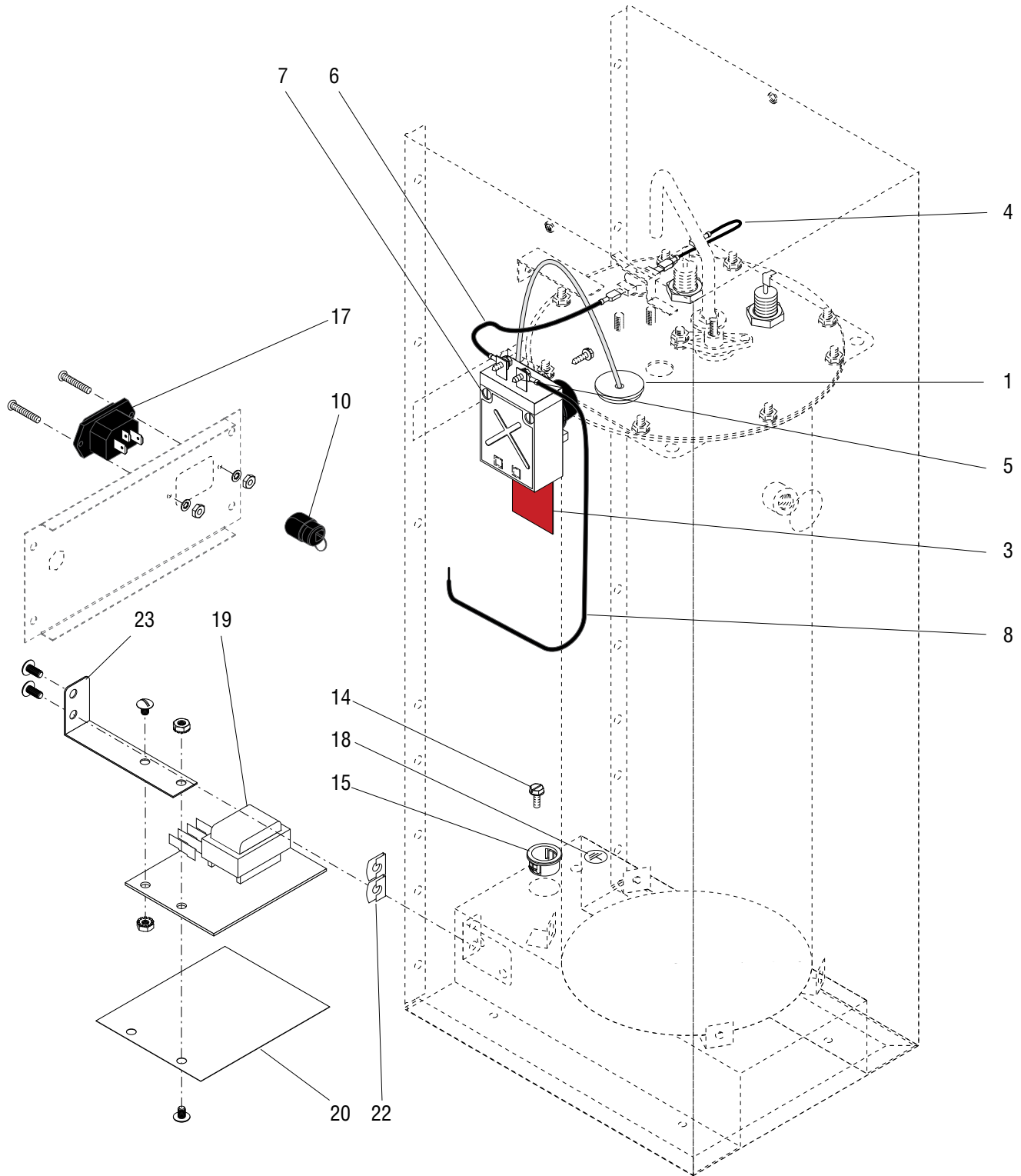
**The following items are not illustrated**

|    |            |   |   |
|----|------------|---|---|
| 10 | 20976.1001 | - | Tube, Silicone .375" ID x 3 Feet (Use as required)  |
|    | 20976.1002 | - | Tube, Silicone .375" ID x 10 Feet (Use as required) |



## TANK FAUCET

| ITEM | PART NO.   | QTY. | DESCRIPTION                                       |
|------|------------|------|---|
| 1    | 07061.0001 | 1    | Shank Assy, Faucet (Includes items 2 thru 5)      |
| 2    | -----      | 1    | Body, Shank (Order item 1)                        |
| 3    | 07119.0000 | 1    | Nut, Shank  |
| 4    | 01221.0000 | 1    | C-Ring, Shank                                     |
| 5    | 01268.0000 | 1    | Nut, Union  |
| 6    | 07079.0000 | 1    | Gasket, Faucet Shank                              |
| 7    | 07094.0000 | 1    | Faucet Assy (Includes items 8 thru 14)            |
| 8    | -----      | 1    | Body, Faucet (Order item 7)                       |
| 9    | 00600.0000 | 1    | Cup, Faucet Seat                                  |
| 10   | 01284.0000 | 1    | Stem W/Pin (Includes item 13)                     |
| 11   | 00601.0000 | 1    | Spring, Faucet                                    |
| 12   | 07127.0000 | 1    | Nut, Faucet Bonnet                                |
| 13   | 01219.0000 | 1    | Pin, Faucet Handle                                |
| 14   | 07099.0000 | 1    | Handle, Faucet                                    |
| -    | 28708.0000 | -    | Faucet Repair Kit (Includes items 9,10,11 and 14) |



## ELECTRICAL AND OPERATING CONTROLS

| ITEM | PART NO.    | QTY. | DESCRIPTION   |
|------|-------------|------|---|
| 1    | 07073.1000  | 1    | Grommet   |
| 2    | 02540.0000  | 1    | Wiring Harness, 120V (HW2 only. Not Illustrated)                |
|      | 28144.0000  | 1    | Wiring Harness, 240V (HW2A only. Not Illustrated)               |
|      | 28144.0001  | 1    | Wiring Harness, 240V (HW2 w/.75" Valve only. Not Illustrated)   |
|      | 02540.0003  | 1    | Wiring Harness, 120V (HW2 w/.75" Valve only. Not Illustrated)   |
| 3    | 10003.0000  | 1    | Tag, Instruction  |
| 4    | 21016.0008  | 1    | Lead, Tank Heater To Limit Switch (HW2 only)                    |
|      | 20211.0100  | 1    | Thermal Fuse, Tank Heater To Limit Switch (HW2A only)           |
| 5    | 20762.0000  | 2    | Screw, Thermostat Terminal #8-32 x .25"                         |
| 6    | 43861.0000  | 1    | Harness, Limit Thermostat To Thermostat                         |
| 7    | 02542.0000  | 1    | Thermostat Assy (Includes items 2 thru 5)                       |
|      | 02328.0003  | 1    | Screw, Mounting #6-32 x .312"                                   |
| 8    | 43861.0002  | 1    | Harness, Thermostat To Wire Nut                                 |
| 9    | 01637.0000  | 1    | Power Cord (HW2 only. Not Illustrated)                          |
| 10   | 00707.0000  | 1    | Bushing, Strain Relief (HW2 only)                               |
| 11   | 21000.0074  | 1    | Lead, Red Wire Nut To Splice (Not Illustrated)                  |
| 12   | 21001.0066* | 1    | Lead, White, Red Wire Nut To Splice (HW2 only. Not Illustrated) |
|      | 21003.0004* | 1    | Lead, Red, Red Wire Nut To Splice (HW2A only. Not Illustrated)  |
| 13   | 03851.0000  | 2    | Wire Nut, Gray (Not Illustrated)                                |
| 14   | 01309.0000  | 1    | Screw, Ground For Power Cord (HW2 only. Not Illustrated)        |
|      | 01375.0000  | 1    | Screw, Ground For Power Connector (HW2A only. Not Illustrated)  |
| 15   | 07070.0000  | 1    | Bushing   |
| 16   | 06064.0000  | 1    | Decal, Cord Warning (HW2 only. Not Illustrated)                 |
| 17   | 01908.0000  | 1    | Power Connector (HW2A only)                                     |
|      | 01362.0000  | 2    | Screw, #4-40 x .50"   |
|      | 01509.0000  | 2    | Lockwasher, #4  |
|      | 00937.0000  | 2    | Nut, Hex, #4-40   |
| 18   | 00824.0002  | 1    | Decal, Ground (HW2A only)                                       |
| 19   | 07074.1000  | 1    | Control Board, Liquid Level (HW2 only)                          |
|      | 07074.1009  | 1    | Control Board, Liquid Level (HW2A only)                         |
|      | 38711.1001  | 1    | Control Board, Liquid Level (HW2A only)(RoHS Compliant)         |
|      | 01311.0000  | 2    | Screw, #8-32 x .25"   |
|      | 00970.0000  | 2    | Nut, Keps #8-32   |
| 20   | 07105.0000  | 1    | Shield, Protective  |
| 21   | 00720.0000  | 1    | Knob  |
| 22   | 00912.0000  | 2    | Clip "J" Type, #8-32  |
| 23   | 02537.0000  | 1    | Bracket   |
|      | 01315.0000  | 2    | Screw, #8-32 x .375"  |

NUMERICAL INDEX

| PART NO.   | PAGE NO. | PART NO.   | PAGE NO. | PART NO.   | PAGE NO. | PART NO.   | PAGE NO. |
|------------|----------|------------|----------|------------|----------|------------|----------|
| 00310.0005 | 9        | 01522.0000 | 7        | 07074.1009 | 15       | 43789.0000 | 11       |
| 00402.0001 | 9        | 01532.0000 | 9        | 07075.0000 | 9,11     | 43861.0000 | 15       |
| 00445.0001 | 9        | 01637.0000 | 15       | 07079.0000 | 13       | 43861.0002 | 15       |
| 00459.0000 | 9        | 01908.0000 | 15       | 07094.0000 | 13       |            |          |
| 00463.0000 | 9        | 01929.0000 | 7        | 07099.0000 | 13       |            |          |
| 00600.0000 | 13       | 01975.0000 | 9        | 07105.0000 | 15       |            |          |
| 00601.0000 | 13       | 02328.0003 | 15       | 07119.0000 | 13       |            |          |
| 00656.0000 | 5        | 02329.0000 | 9        | 07127.0000 | 13       |            |          |
| 00657.0000 | 5        | 02494.1000 | 7        | 10003.0000 | 15       |            |          |
| 00707.0000 | 15       | 02497.0000 | 5        | 10261.0000 | 5        |            |          |
| 00720.0000 | 15       | 02504.0001 | 5        | 10261.0001 | 5        |            |          |
| 00824.0002 | 15       | 02504.0002 | 5        | 12422.0001 | 11       |            |          |
| 00831.0000 | 5        | 02505.0000 | 5        | 12593.0000 | 5        |            |          |
| 00908.0000 | 7        | 02505.0001 | 5        | 20203.0100 | 7        |            |          |
| 00912.0000 | 7,15     | 02506.0000 | 5        | 20211.0100 | 7,15     |            |          |
| 00917.0000 | 5        | 02506.0001 | 5        | 20526.1750 | 9        |            |          |
| 00929.0001 | 9        | 02507.0001 | 5        | 20528.1750 | 9        |            |          |
| 00935.0000 | 9        | 02508.0000 | 5        | 20762.0000 | 15       |            |          |
| 00937.0000 | 15       | 02508.0002 | 5        | 20976.0063 | 11       |            |          |
| 00942.0000 | 7        | 02508.0004 | 5        | 20976.1001 | 11       |            |          |
| 00943.0000 | 7        | 02508.0005 | 5        | 20976.1002 | 11       |            |          |
| 00946.0000 | 7        | 02508.0006 | 5        | 21000.0074 | 15       |            |          |
| 00970.0000 | 5,15     | 02510.0005 | 5        | 21001.0066 | 15       |            |          |
| 00971.0000 | 7,9,11   | 02510.0006 | 5        | 21003.0004 | 15       |            |          |
| 00988.0000 | 11       | 02510.1007 | 5        | 21016.0008 | 7,15     |            |          |
| 01060.0000 | 9        | 02513.0000 | 7        | 21695.0001 | 9        |            |          |
| 01066.0000 | 9        | 02515.0007 | 7        | 21814.0016 | 9        |            |          |
| 01075.0000 | 7        | 02515.1008 | 7        | 21814.0031 | 9        |            |          |
| 01079.0000 | 9        | 02520.0000 | 7        | 22249.0000 | 9        |            |          |
| 01085.0000 | 9        | 02525.0001 | 7        | 22300.0750 | 9        |            |          |
| 01085.0002 | 9        | 02533.0000 | 9        | 23721.0000 | 9        |            |          |
| 01100.0000 | 9        | 02534.1000 | 7        | 25137.0002 | 5        |            |          |
| 01101.0000 | 9        | 02536.0000 | 7        | 26263.0001 | 11       |            |          |
| 01111.0000 | 9        | 02537.0000 | 15       | 28005.0000 | 9        |            |          |
| 01111.0002 | 9        | 02540.0000 | 15       | 28020.0000 | 9        |            |          |
| 01116.0000 | 9        | 02540.0003 | 15       | 28021.0000 | 9        |            |          |
| 01154.0000 | 9        | 02542.0000 | 15       | 28130.0000 | 9        |            |          |
| 01154.0001 | 9        | 02545.0000 | 5        | 28130.0001 | 9,11     |            |          |
| 01155.0000 | 9        | 02546.0000 | 5        | 28144.0000 | 15       |            |          |
| 01219.0000 | 13       | 02547.0000 | 5        | 28479.0000 | 9        |            |          |
| 01221.0000 | 13       | 02575.0000 | 7        | 28480.0000 | 9        |            |          |
| 01268.0000 | 13       | 03633.0000 | 7        | 28481.0000 | 9        |            |          |
| 01284.0000 | 13       | 03633.0000 | 7        | 28708.0000 | 13       |            |          |
| 01303.0000 | 5        | 03803.0000 | 7        | 28918.0000 | 5        |            |          |
| 01309.0000 | 15       | 03807.0000 | 7        | 28918.0001 | 5        |            |          |
| 01311.0000 | 5,15     | 03851.0000 | 15       | 29329.1000 | 7        |            |          |
| 01315.0000 | 7,15     | 04198.0001 | 5        | 32283.0000 | 11       |            |          |
| 01317.0005 | 7        | 04221.0000 | 7        | 36378.0001 | 11       |            |          |
| 01327.0000 | 9        | 06064.0000 | 15       | 37297.1006 | 11       |            |          |
| 01362.0000 | 15       | 07048.1000 | 7        | 37881.0000 | 5        |            |          |
| 01375.0000 | 15       | 07061.0001 | 13       | 38711.1001 | 15       |            |          |
| 01382.0000 | 11       | 07070.0000 | 15       | 38994.1000 | 7        |            |          |
| 01502.0000 | 9        | 07073.1000 | 15       | 41471.0002 | 5        |            |          |
| 01509.0000 | 15       | 07074.1000 | 15       | 42025.0000 | 11       |            |          |