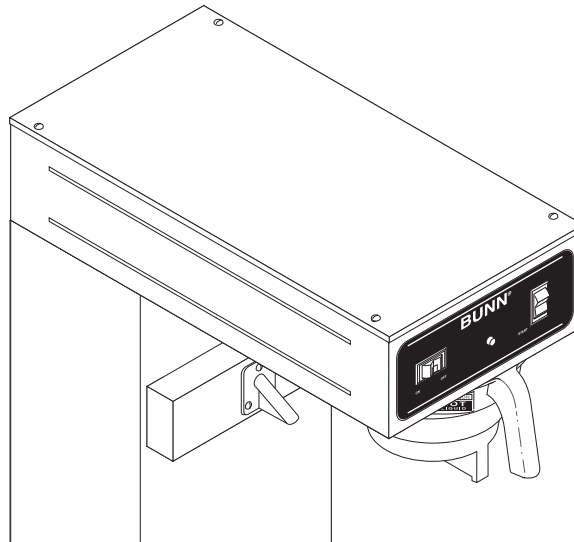
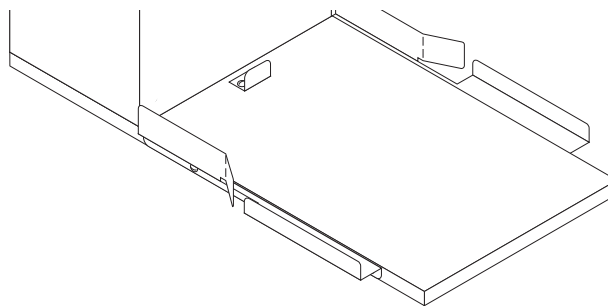


BUNN[®]

TU3



DISCONTINUED VERSION
The information in this manual
is no longer current.



ILLUSTRATED PARTS CATALOG

Designs, materials, weights, specifications, and dimensions for equipment or replacement parts are subject to change without notice.

BUNN-O-MATIC CORPORATION

POST OFFICE BOX 3227

SPRINGFIELD, ILLINOIS 62708-3227

PHONE: (217) 529-6601 FAX: (217) 529-6644

BUNN-O-MATIC COMMERCIAL PRODUCT WARRANTY

Bunn-O-Matic Corp. ("BUNN") warrants equipment manufactured by it as follows:

- 1) All equipment other than as specified below: 2 years parts and 1 year labor.
- 2) Electronic circuit and/or control boards: parts and labor for 3 years.
- 3) Compressors on refrigeration equipment: 5 years parts and 1 year labor.
- 4) Grinding burrs on coffee grinding equipment to grind coffee to meet original factory screen sieve analysis: parts and labor for 3 years or 30,000 pounds of coffee, whichever comes first.

These warranty periods run from the date of installation BUNN warrants that the equipment manufactured by it will be commercially free of defects in material and workmanship existing at the time of manufacture and appearing within the applicable warranty period. This warranty does not apply to any equipment, component or part that was not manufactured by BUNN or that, in BUNN's judgment, has been affected by misuse, neglect, alteration, improper installation or operation, improper maintenance or repair, damage or casualty. This warranty is conditioned on the Buyer 1) giving BUNN prompt notice of any claim to be made under this warranty by telephone at (217) 529-6601 or by writing to Post Office Box 3227, Springfield, Illinois 62708-3227; 2) if requested by BUNN, shipping the defective equipment prepaid to an authorized BUNN service location; and 3) receiving prior authorization from BUNN that the defective equipment is under warranty.

THE FOREGOING WARRANTY IS EXCLUSIVE AND IS IN LIEU OF ANY OTHER WARRANTY, WRITTEN OR ORAL, EXPRESS OR IMPLIED, INCLUDING, BUT NOT LIMITED TO, ANY IMPLIED WARRANTY OF EITHER MERCHANTABILITY OR FITNESS FOR A PARTICULAR PURPOSE. The agents, dealers or employees of BUNN are not authorized to make modifications to this warranty or to make additional warranties that are binding on BUNN. Accordingly, statements by such individuals, whether oral or written, do not constitute warranties and should not be relied upon.

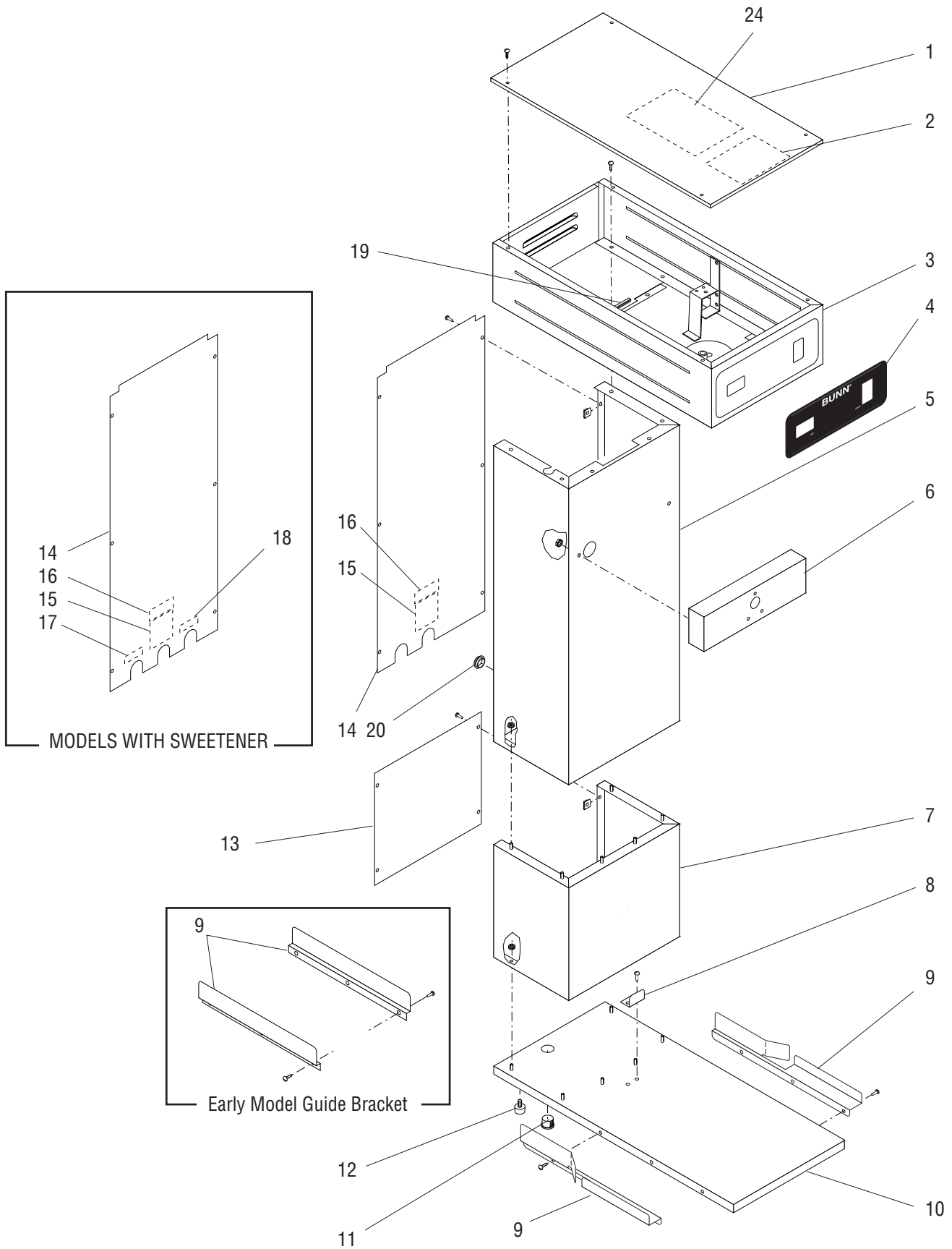
If BUNN determines in its sole discretion that the equipment does not conform to the warranty, BUNN, at its exclusive option while the equipment is under warranty, shall either 1) provide at no charge replacement parts and/or labor (during the applicable parts and labor warranty periods specified above) to repair the defective components, provided that this repair is done by a BUNN Authorized Service Representative; or 2) shall replace the equipment or refund the purchase price for the equipment.

THE BUYER'S REMEDY AGAINST BUNN FOR THE BREACH OF ANY OBLIGATION ARISING OUT OF THE SALE OF THIS EQUIPMENT, WHETHER DERIVED FROM WARRANTY OR OTHERWISE, SHALL BE LIMITED, AT BUNN'S SOLE OPTION AS SPECIFIED HEREIN, TO REPAIR, REPLACEMENT OR REFUND.

In no event shall BUNN be liable for any other damage or loss, including, but not limited to, lost profits, lost sales, loss of use of equipment, claims of Buyer's customers, cost of capital, cost of down time, cost of substitute equipment, facilities or services, or any other special, incidental or consequential damages.

TABLE OF CONTENTS

Electrical and Operating Controls	18
Funnel Assembly	22
Numerical Index	24
Strainer/Flow Control, Solenoids and Lines - W/Out Sweetener	10
Strainer/Flow Control, Solenoids and lines - W/Sweetener	14
Tank Assembly	8
Top Cover, Hood, Trunk, Base and Panels	4



TOP COVER, HOOD, TRUNK, BASE AND PANELS

ITEM	PART NO.	QTY.	DESCRIPTION
1	03423.0000	1	Cover, Top (Also order items 2 & 24)
	03423.1000	1	Cover, Top (Includes 10299.0000 - item 2) (also order item 24)
	03423.1002	1	Cover, Top (Includes 10558.0000 - item 2) (also order item 24)
	01382.0000	4	Screw, Truss Head #6-32 x .375"
2	10299.0000	1	Schematic, Electrical 120V
	10233.0000	1	Schematic, Electrical 120V (Brewers with half batch option)
	27432.0000	1	Schematic, Electrical 120V (Brewers with sweetener)
	10558.0000	1	Schematic, Electrical 100V ("B" Models only)
3	03381.0000	1	Hood (Also order item 4)
	03381.0005	1	Hood (Brewers with ready light) (Also order item 4)
	02308.0000	6	Screw, Pan Head - Serrated #8-32 x .375"
4	03363.0000	1	Decal, Hood-Switch
	03363.0001	1	Decal, Hood-Switch (Brewers with ready light)
	03352.0000	1	Decal, Hood-Switch (Brewers with ready light & half batch option)
	22251.0000	1	Decal, Hood-Switch (Brewers with sweetener)
5	03762.0001	1	Trunk Assy
	03762.0002	1	Trunk Assy ("A" Models only)
	00970.0000	6	Nut, Hex Keps #8-32
6	03773.0000	1	Housing, Nozzle Mounting
	00970.0000	2	Nut, Hex Keps #8-32
7	03765.0001	1	Housing Assy, Trunk Extension 6.12" HT
	03765.0002	1	Housing Assy, Trunk Extension 3.0" HT
	03765.0003	1	Housing Assy, Trunk Extension 8.12" HT
	00970.0000	6	Nut, Hex Keps #8-32 (6 additional required for 26" servers)
8	03770.0000	1	Bracket, Stop
	01315.0000	2	Screw, Truss Head #8-32 x .375"
9	03772.0000	2	Guide, Base (Early models)
	32035.0000	1	Guide, Base (Left side)
	32035.0001	1	Guide, Base (Right side)
	01317.0003	6	Screw, Pan Head - Locking #8-32 x .375"
10	03767.0000	1	Base
11	00668.0000	1	Plug, Hole .75" Dia
12	25137.0001	4	Foot, .75" O.D. x .44" HT (See item 21)
13	03771.0001	1	Cover, Trunk Extension - Rear 6.12" HT
	03771.0002	1	Cover, Trunk Extension - Rear 3.0" HT
	03771.0003	1	Cover, Trunk Extension - Rear 8.12" HT
	01315.0000	4	Screw, Truss Head #8-32 x .375"
	00917.0000	4	Fastener, J-Type #8-32
14	25615.0000	1	Panel W/Decals, Trunk (Includes items 15 & 16)
	22297.0000	1	Panel W/Decals, Trunk (Includes items 15 thru 18) (Brewers with sweetener)
	01315.0000	6	Screw, Truss Head #8-32 x .375"
	00917.0000	6	Fastener, J-Type #8-32
15	00831.0000	1	Decal, Electrical Warning

For 26" Servers

See item 23

Late models

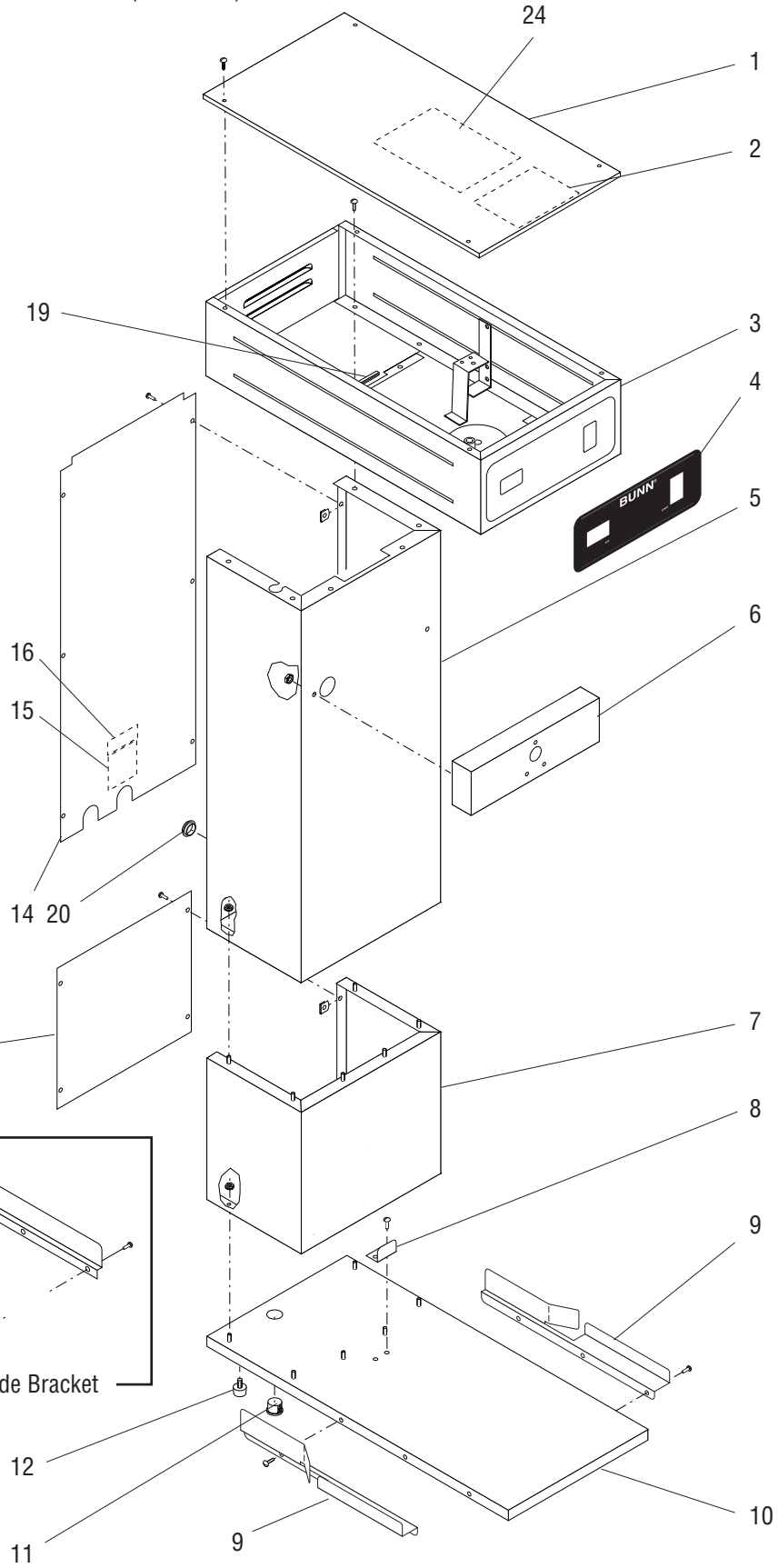
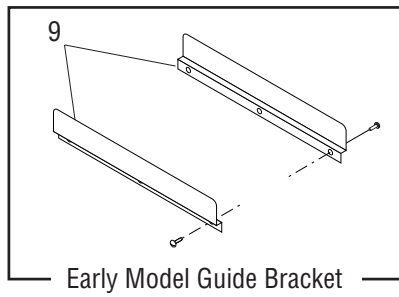
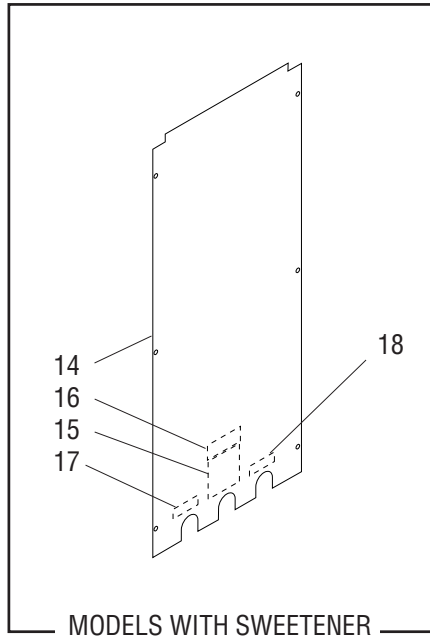
For 26" Servers

See item 23

4 additional required for 26" servers

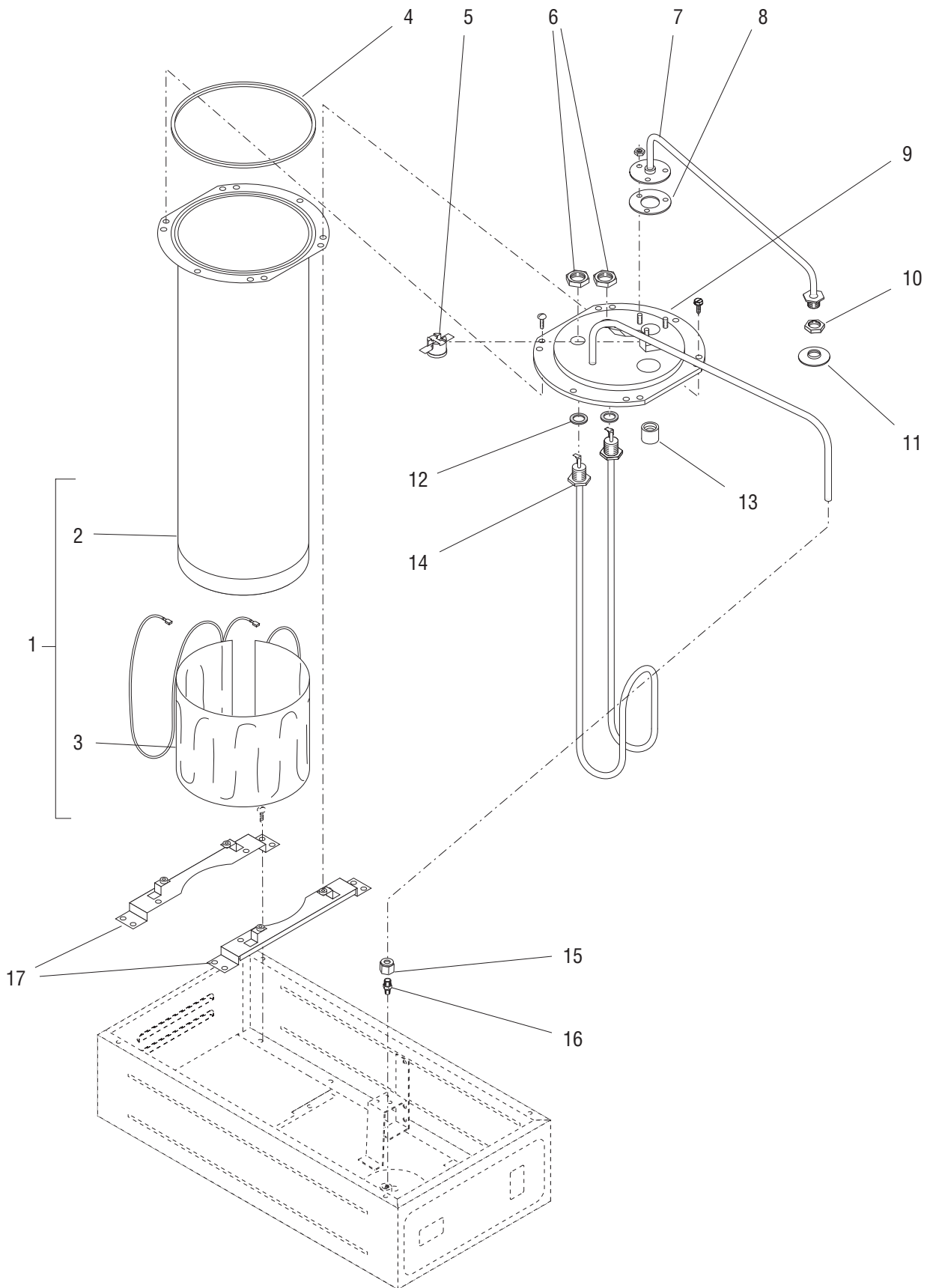
(Continued)

(Continued)



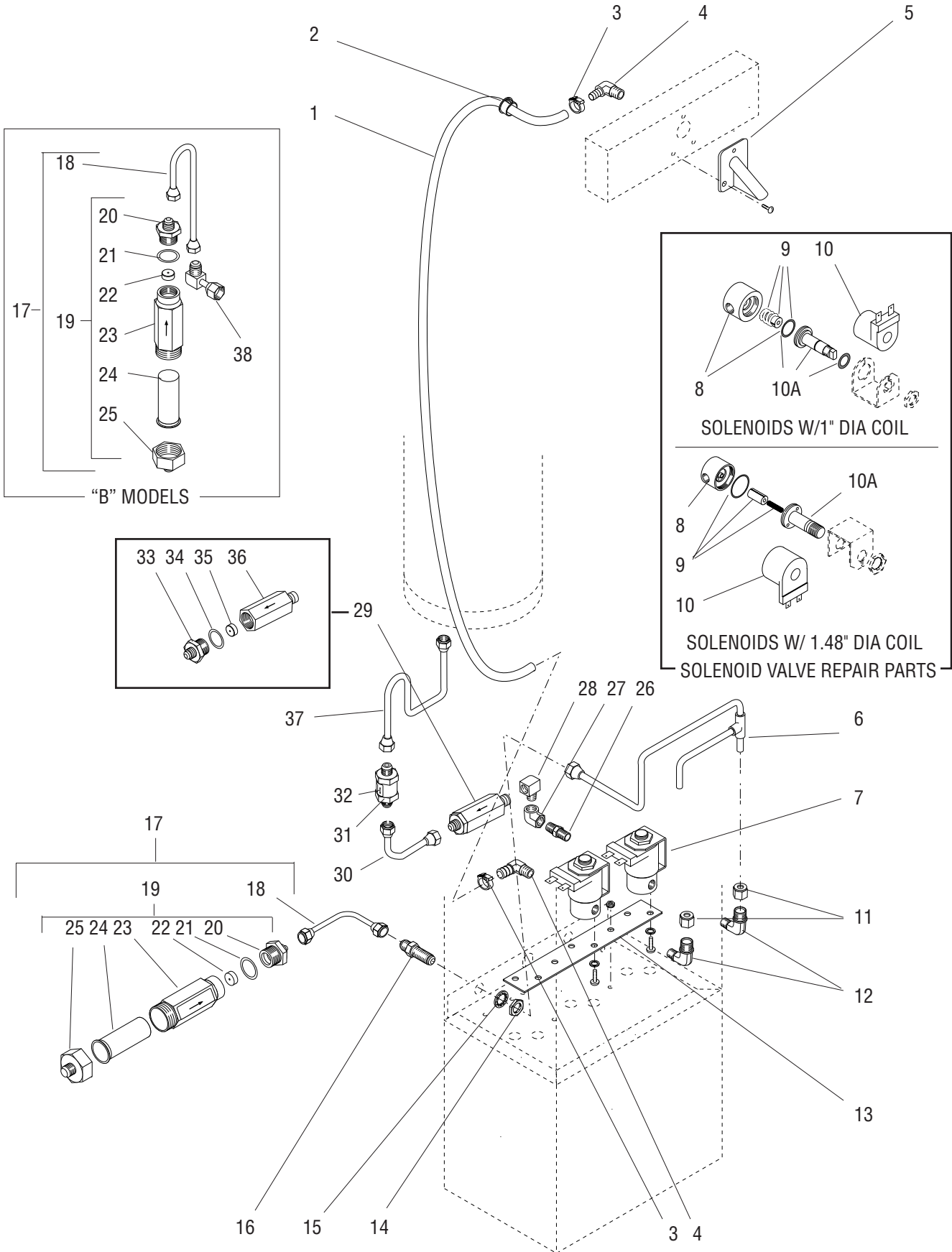
TOP COVER, HOOD, TRUNK, BASE AND PANELS

ITEM	PART NO.	QTY.	DESCRIPTION
16	00656.0000	1	Decal, Comply With Plumbing Code
17	26371.0000	1	Decal, Water Inlet
18	26371.0001	1	Decal, Sweetener Inlet
19	-----	1	Edging, 2" LG (Order item 22)
20	05749.0001	1	Plug, Hole .625" Dia ("A" Models only)
21	24600.0000	-	Kit, Foot (Includes four feet)
22	02712.1000	-	Edging, 18" LG
23	03760.0001	-	Trunk Extension Kit, 6.12" HT (Includes items 7, 13 & Hardware)
	03760.0002	-	Trunk Extension Kit, 3.0" HT (Includes items 7, 13 & Hardware)
	03760.0003	-	Trunk Extension Kit, 8.12" HT (Includes items 7, 13 & Hardware)
24	32540.0000	1	Decal, Batch Set (Digital Timer) (Late Models)



TANK ASSEMBLY

ITEM	PART NO.	QTY.	DESCRIPTION
-	05696.0007	1	Tank Assembly, 1680W 120V (Includes items 1 thru 9, 12, 13, 14)
-	-----	1	Tank Assembly, 1680W 100V (Includes items 2, 4 thru 9, 12, 13, 14)(Not Available. Order components)
-	-----	1	Tank Assembly, 1680W 230V (Includes items 1 thru 9, 12, 13, 14) (Not Available. Order Components)
	01315.0000	4	Screw, Truss Head #8-32 x .375"
1	03045.0000	1	Tank W/Blanket Warmer 120V (Includes items 2 &3)
	03045.0003	1	Tank W/Blanket Warmer 230V (Includes items 2 &3)
2	03068.0000	1	Tank
3	03468.0000	1	Blanket Warmer, 55W 120V
	03470.0000	1	Blanket Warmer, 55W 230V
4	04844.0000	1	Gasket, Tank Lid
5	29329.1000	1	Thermostat, Limit 15 amp
6	00942.0000	2	Nut, Hex .50"-20
7	05557.0000	1	Sprayhead Tube Kit (Includes 3 mounting nuts below, items 8 & 13)
	00908.0000	3	Nut, Hex #8-32
8	05515.0000	1	Gasket, Sprayhead Tube
9	03371.0000	1	Lid Assembly, Tank
	02337.0002	6	Screw, Hex Head Thread Forming #10 x .50"
10	01075.0000	1	Nut, Hex .438"-20
11	01082.0000	1	Sprayhead, 6 Hole
	01082.0003	1	Sprayhead, 7 Hole
12	00943.0000	2	Gasket, Tank Heater
13	05518.0000	1	Syphon Hub
14	03070.1000	1	Tank Heater, 1680W 120V
	03299.1000	1	Tank Heater, 1680W 230V
	03297.1000	1	Tank Heater, 1680W 100V
			} Includes item 12
15	00929.0001	1	Nut/Sleeve, .375" Tube
16	00406.0001	1	Fitting, .375" Tube x .125" MPT
17	03387.0000	2	Bracket, Tank Mounting
	02308.0000	4	Screw, Pan Head #8-32 x .375"

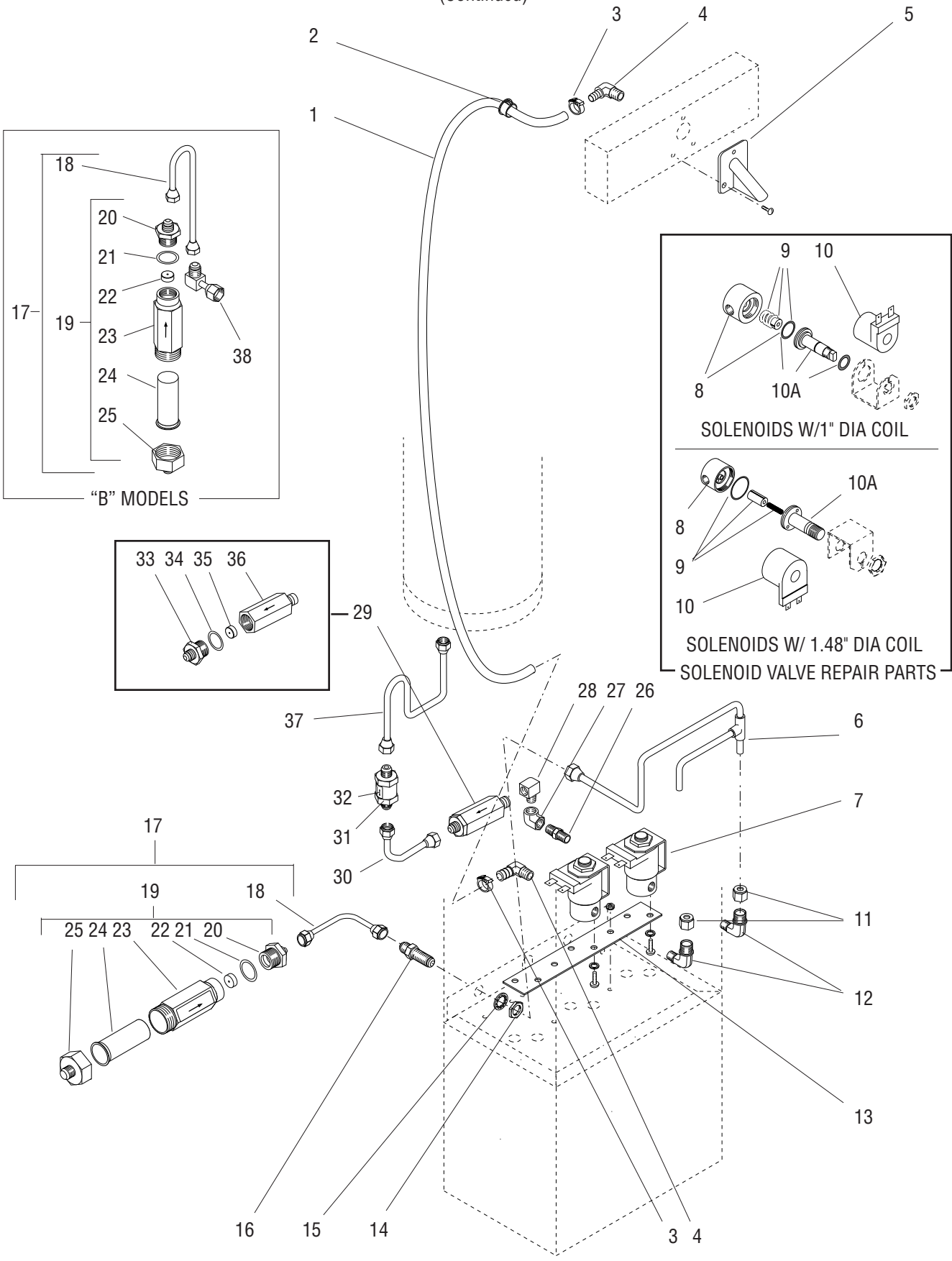


STRAINER/FLOW CONTROL, SOLENOIDS AND LINES W/OUT SWEETENER

ITEM	PART NO.	QTY.	DESCRIPTION
1	-----	1	Tube, Silicone, .250" I.D. x 23" LG (Order item 39)
2	01592.0000	1	Bushing, Snap 1" Dia Hole
3	12422.0000	2	Clamp, Hose - Snap Type .47"/.54" I.D.
4	00464.0001	2	Elbow, .250" Barb x .125" MPT
5	03717.0000	1	Nozzle, Dilution
	01382.0000	3	Screw, Truss Head Serrated #6-32 x .375"
6	25523.0000	1	Tube Assembly, Solenoids to Bulkhead (Includes items 11)
7	-----	2	Solenoid Valve, 120V - 1.48" Dia Coil (Not Available. Order 01085.0002)
	01085.0002	2	Solenoid Valve, 120V - 1" Dia Coil
	01975.0000	2	Solenoid Valve, 240V - 1.48" Dia Coil
	01138.0000	2	Solenoid Valve, 100V - 1.48" Dia Coil
	01327.0000	4	Screw, Pan Head #10-32 x .375"
	01502.0000	4	Lockwasher, Split #10
8	01079.0000	1	Solenoid Valve Base - 1.48" Dia Coil
	28479.0000	1	Solenoid Valve Base Kit -1" Dia Coil (Includes O-ring)
9	01111.0000	1	Solenoid Valve Repair Kit - 1.48" Dia Coil (Includes Plunger, Seal and Spring)
	01111.0002	1	Solenoid Valve Repair Kit - 1" Dia Coil (Includes Plunger, Spring and O-ring)
10	01101.0000	1	Solenoid Valve Coil, 120V - 1.48" Dia Coil
	28480.0000	1	Solenoid Valve Coil, 120V - 1" Dia Coil
	01100.0000	1	Solenoid Valve Coil, 240V - 1.48" Dia Coil
	01139.0000	1	Solenoid Valve Coil, 100V - 1.48" Dia Coil
10A	01116.0000	1	Guide - 1.48" Dia Coil
	28481.0000	1	Guide Kit - 1" Dia Coil (Includes Washer and O-ring)
11	00443.0001	2	Nut/Sleeve, .250" Tube
12	00465.0001	2	Elbow Assembly, .125" MPT x .250" Tube (Includes item 11)
13	03170.0000	1	Plate, Solenoid Valve Mounting
	00970.0000	2	Nut, Keps #8-32
14	00463.0000	1	Nut, Hex - Brass .438"-20
15	01532.0000	1	Lockwasher, Internal Tooth .438"
16	00459.0000	1	Fitting, Bulkhead .250" Flare
17	24356.0750	1	Strainer/Flow Control W/Tubing (.750 GPM) (Includes items 18 & 19)
	28025.0750	1	Strainer/Flow Control W/Tubing (.750 GPM) (includes items 18 & 19) ("B" Models)
	28025.0330	1	Strainer/Flow Control W/Tubing (.330 GPM) (Includes Items 18 & 19) ("B" Models)
18	00310.0000	1	Tube Assembly, Strainer/Flow Control to Bulkhead
	28026.0000	1	Tube Assembly, Strainer/Flow Control to Elbow ("B" Models)
19	22300.0750	1	Strainer/Flow Control Assembly (Includes items 20 thru 25)
	22300.0330	1	Strainer/Flow Control Assembly (Includes items 20 thru 25)
20	01154.0000	1	Fitting, Flow Control Outlet

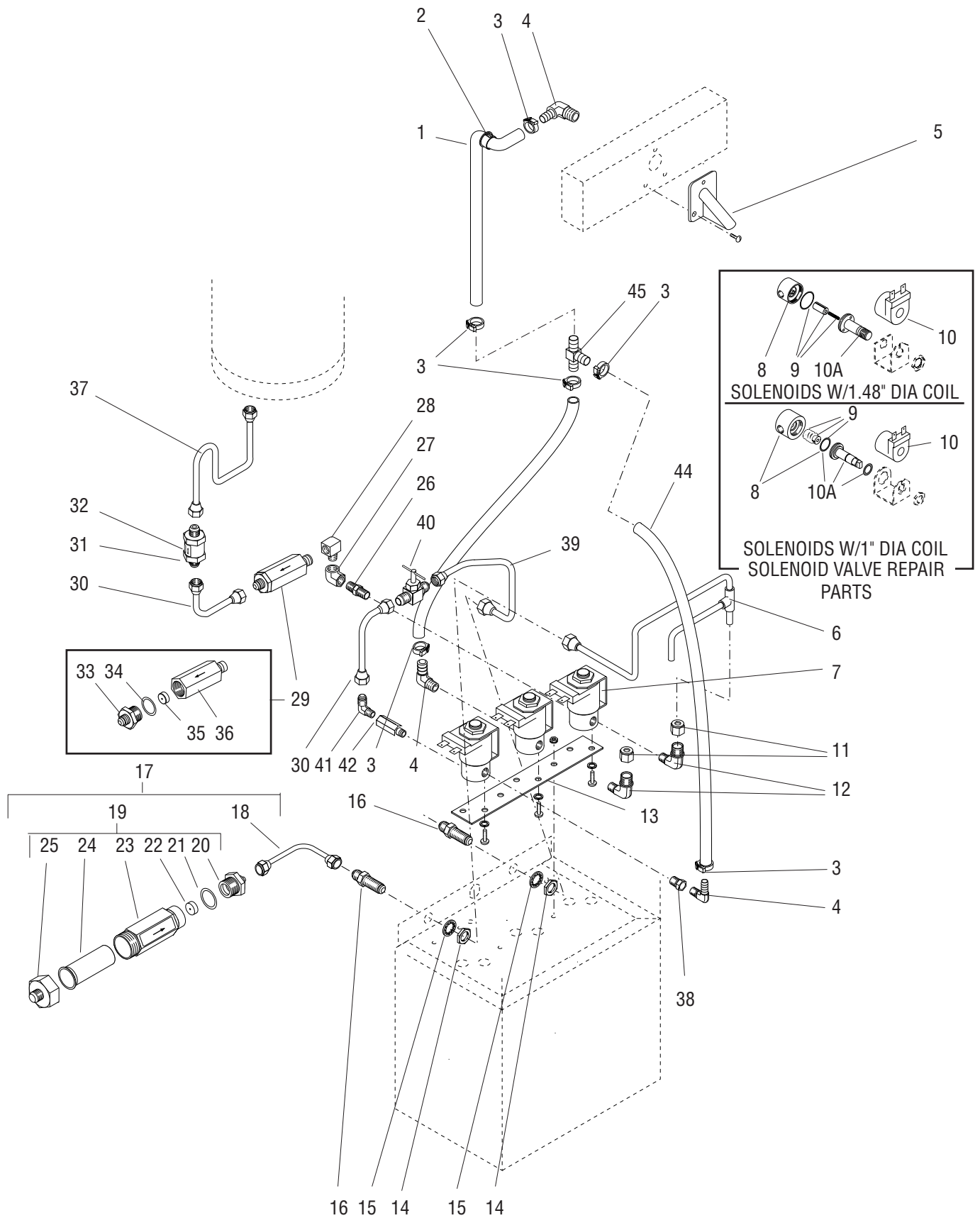
(Continued)

(Continued)



STRAINER/FLOW CONTROL, SOLENOIDS AND LINES W/OUT SWEETENER

ITEM	PART NO.	QTY.	DESCRIPTION
21	01155.0000	1	Gasket, Flow Control
22	20526.1750	1	Flow Washer/Gasket Kit (.750 GPM) (Includes item 21)
	20526.1330	1	Flow Washer/Gasket Kit (.330 GPM) (Includes item 21) ("B" Models)
23	-----	1	Body (Not Available. Order item 19)
24	23721.0000	1	Screen
25	22249.0000	1	Fitting, Flow Control Inlet
26	00412.0001	1	Nipple, Hex .125" MPT
27	00435.0001	1	Elbow, .125" NPT Female
28	00432.0001	1	Elbow, .125" NPT Male/Female
29	20528.1195	1	Flow Control Assembly (.195 GPM) (Includes items 33 thru 36)
30	00310.0003	1	Tube Assembly, Flow Control to Check Valve
31	01171.0001	1	Valve, Check (Includes item 32) (Refer to item 40 for repair kit)
32	20554.0001	1	Decal, Check Valve
33	01154.0001	1	Fitting, Flow Control Outlet
34	01155.0000	1	Gasket, Flow Control
35	20526.1195	1	Flow Washer/Gasket Kit (.195 GPM) (Includes item 34)
36	-----	1	Body, Flow Control (Not Available. Order item 29)
37	03453.0000	1	Tube Assembly, Check Valve to Tank
38	00949.0000	1	Elbow ("B" Models)
39	11707.1001	-	Tube, Silicone .250" I.D. x .50" O.D. x 36" LG
	11707.1002	-	Tube, Silicone .250" I.D. x .50" O.D. x 120" LG
40	01170.0000	1	Check Valve Repair Kit (Contains a gasket, spring & seat assembly) (Not Illustrated)

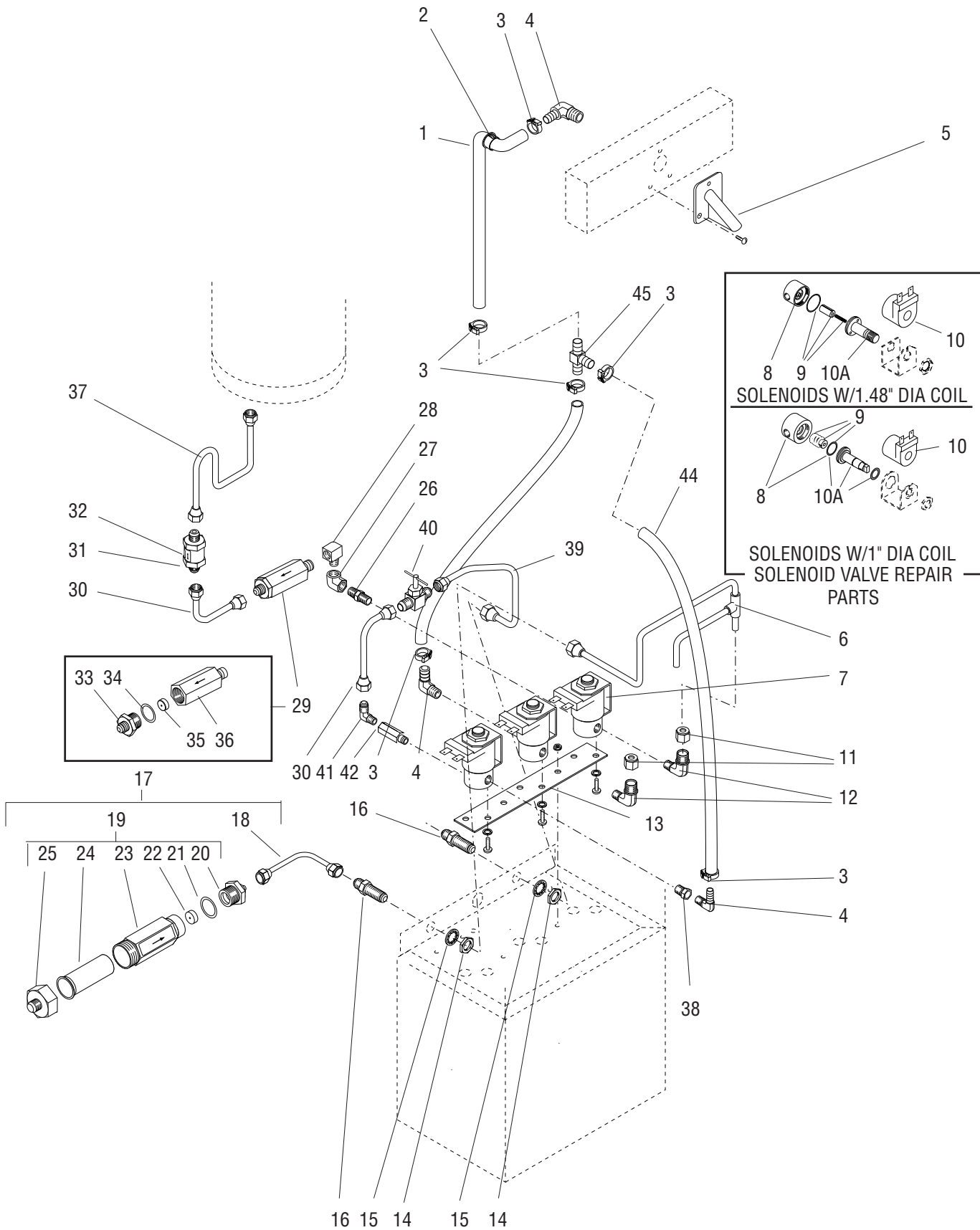


STRAINER/FLOW CONTROL, SOLENOIDS AND LINES W/SWEETENER

ITEM	PART NO.	QTY.	DESCRIPTION
1	-----	1	Tube, Silicone, .250" I.D. x .50" O.D. x 8" LG (Order item 46)
2	01592.0000	1	Bushing, Snap 1" Dia Hole
3	12422.0000	6	Clamp, Hose - Snap Type .47"/.54" I.D.
4	00464.0001	3	Elbow, .250" Barb x .125" MPT
5	03717.0000	1	Nozzle, Dilution
	01382.0000	3	Screw, Truss Head Serrated #6-32 x .375"
6	25523.0000	1	Tube Assembly, Solenoids to Bulkhead (Includes item 11)
7	-----	3	Solenoid Valve, 120V - 1.48" Dia Coil (Not Available. Order 01085.0000)
	01085.0000	3	Solenoid Valve, 120V - 1" Dia Coil
	01327.0000	6	Screw, Pan Head #10-32 x .375"
	01502.0000	6	Lockwasher, Split #10
8	01079.0000	1	Solenoid Valve Base - 1.48" Dia Coil
	28479.0000	1	Solenoid Valve Base Kit - 1" Dia Coil (Includes O-ring)
9	01111.0000	1	Solenoid Valve Repair Kit - 1.48" Dia Coil (Includes Plunger, Seal and Spring)
	01111.0002	1	Solenoid Valve Repair Kit - 1" Dia Coil (Includes Plunger, Spring and O-ring)
10	01101.0000	1	Solenoid Valve Coil, 120V - 1.48" Dia Coil
	28480.0000	1	Solenoid Valve Coil, 120V - 1" Dia Coil
10A	01116.0000	1	Guide - 1.48" Dia Coil
	28481.0000	1	Guide Kit - 1" Dia Coil (Includes Washer and O-ring)
11	00443.0001	2	Nut/Sleeve, .250" Tube
12	00465.0001	2	Elbow Assembly, .125" MPT x .250" Tube (Includes item 11)
13	03170.0000	1	Plate, Solenoid Valve Mounting
	00970.0000	2	Nut, Keps #8-32
14	00463.0000	2	Nut, Hex - Brass .438"-20
15	01532.0000	2	Lockwasher, Internal Tooth .438"
16	00459.0000	2	Fitting, Bulkhead .250" Flare
17	24356.0750	1	Strainer/Flow Control W/Tubing (.750 GPM) (Includes items 18 & 19)
18	00310.0000	1	Tube Assembly, Strainer/Flow Control to Bulkhead
19	22300.0750	1	Strainer/Flow Control Assembly (Includes items 20 thru 25)
20	01154.0000	1	Fitting, Flow Control Outlet
21	01155.0000	1	Gasket, Flow Control
22	20526.1750	1	Flow Washer/Gasket Kit (.750 GPM) (Includes item 21)
23	-----	1	Body (Not Available. Order item 19)
24	23721.0000	1	Screen
25	22249.0000	1	Fitting, Flow Control Inlet

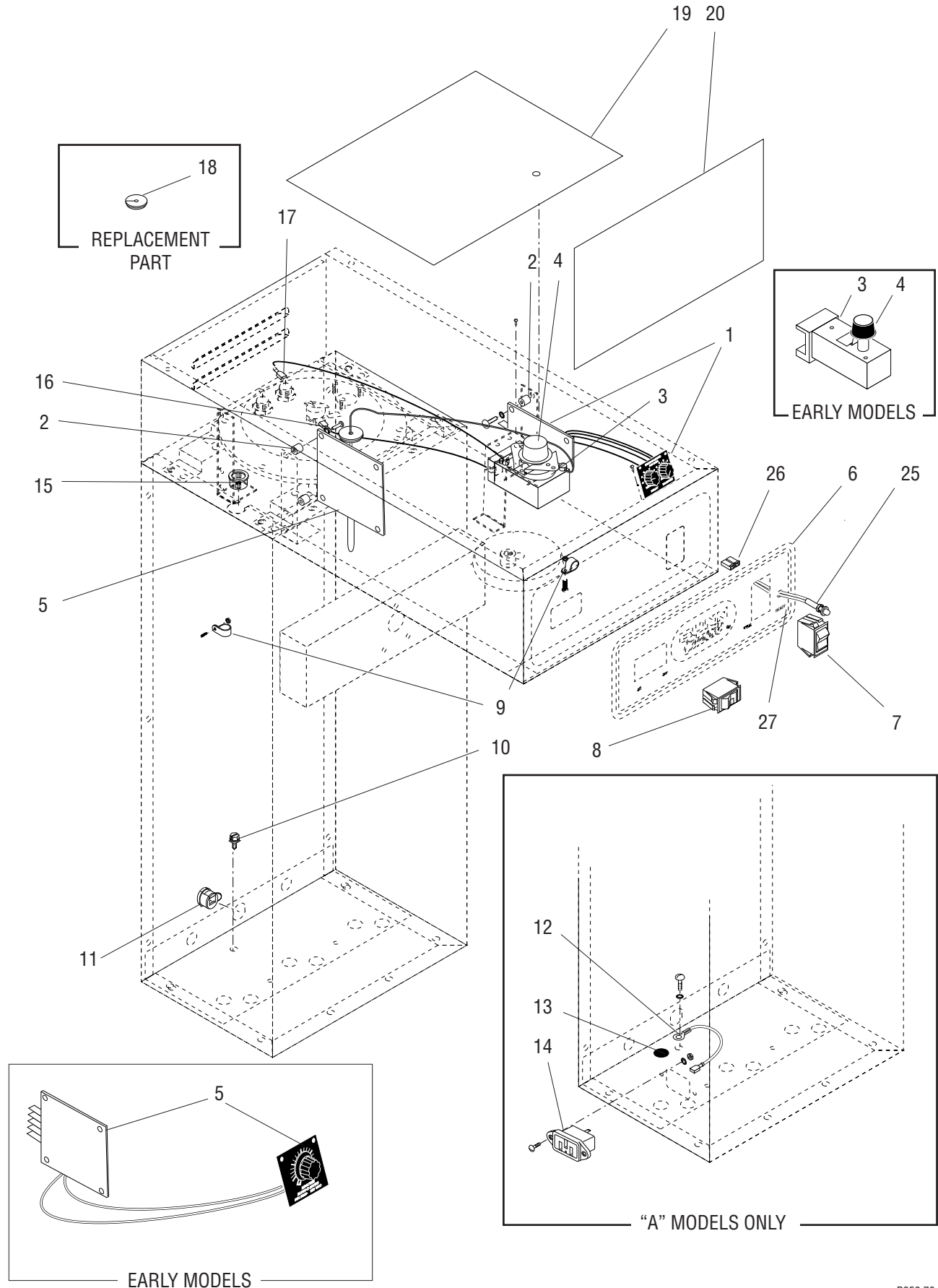
(Continued)

(Continued)



STRAINER/FLOW CONTROL, SOLENOIDS AND LINES W/SWEETENER

ITEM	PART NO.	QTY.	DESCRIPTION
26	00412.0001	1	Nipple, Hex .125" MPT
27	00435.0001	1	Elbow, .125" NPT Female
28	00432.0001	1	Elbow, .125" NPT Male/Female
29	20528.1195	1	Flow Control Assembly (.195 GPM) (Includes items 33 thru 36)
30	21812.0013	1	Tube Assembly, Flow Control to Check Valve
31	01171.0001	1	Valve, Check (Includes item 32) (Refer to item 47 for repair kit)
32	20554.0001	1	Decal, Check Valve
33	01154.0001	1	Fitting, Flow Control Outlet
34	01155.0000	1	Gasket, Flow Control
35	20526.1195	1	Flow Washer/Gasket Kit (.195 GPM) (Includes item 34)
36	-----	1	Body, Flow Control (Not Available. Order item 29)
37	03453.0000	1	Tube Assembly, Check Valve to Tank
38	00430.0001	1	Adapter, .125" MPT to .125" FPT
39	22298.0000	1	Tube Assembly, Needle Valve to Bulkhead
40	00484.0002	1	Valve, Needle
41	00400.0001	1	Elbow, .250" Male Flare x .125 MPT
42	00458.0001	1	Adapter, .125" MPT
43	-----	1	Tube, Silicone .250" I.D. x .50" O.D. x 12.5" LG (Order item 46)
44	-----	1	Tube, Silicone .250" I.D. x .50" O.D. x 15.0" LG (Order item 46)
45	22150.0001	1	Tee, .250" Barb
46	11707.1000	-	Tube, Silicone .250" I.D x .50" O.D. x 12" LG
	11707.1001	-	Tube, Silicone .250" I.D. x .50" O.D. x 36" LG
	11707.1002	-	Tube, Silicone .250" I.D. x .50" O.D. x 120" LG
47	01170.0000	1	Check Valve Repair Kit (Contains a gasket, spring & seat assembly) (Not Illustrated)

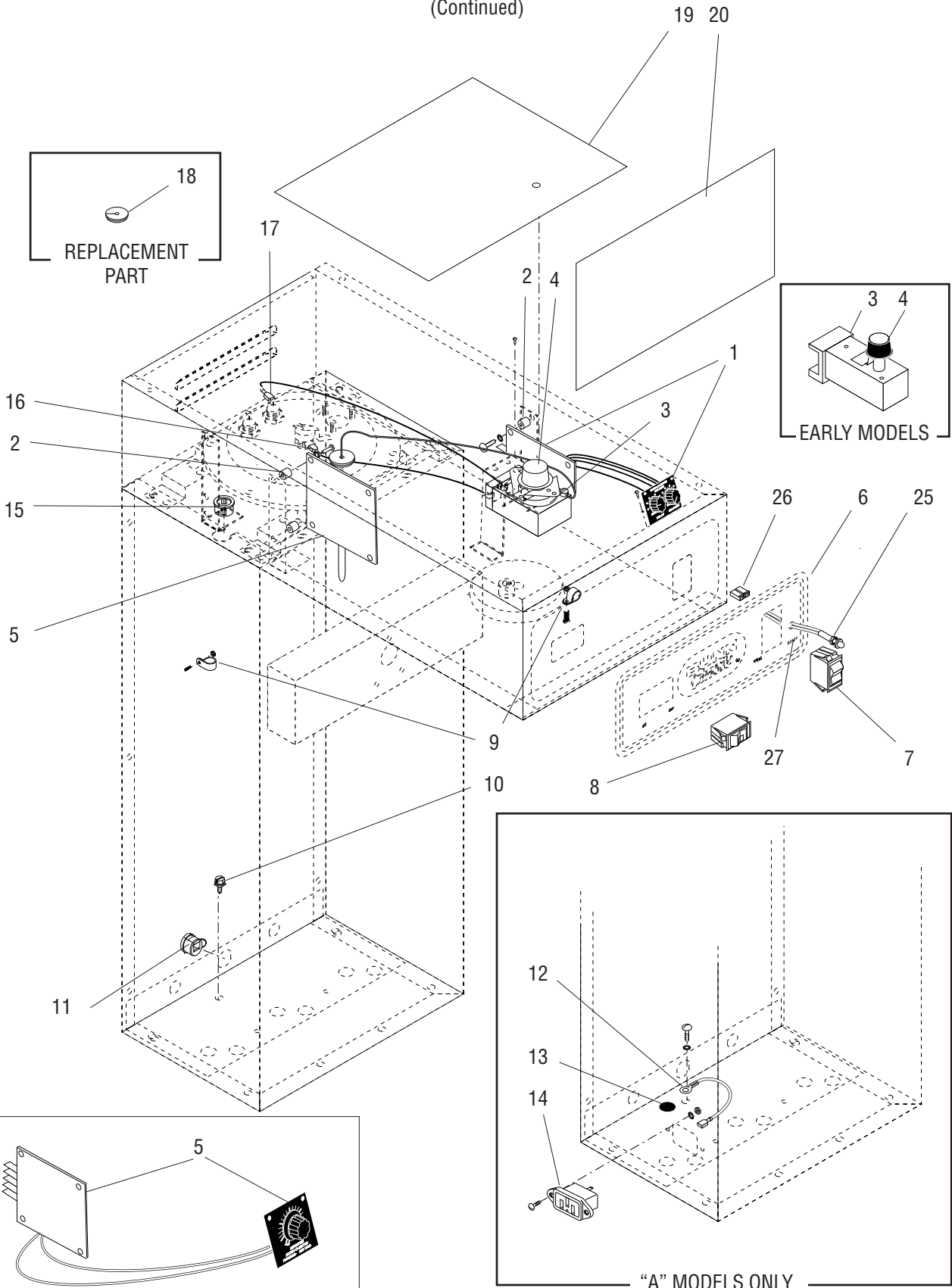


ELECTRICAL AND OPERATING CONTROLS

ITEM	PART NO.	QTY.	DESCRIPTION
1	03355.1000	1	Timer, Delay/Dilution - 120V
	03355.1030	1	Timer, Delay/Dilution - 120V (Long Delay)
	03355.1003	1	Timer, Delay/Dilution - 120V (Brewers W/Full - Half Batch Option; also "B" Models)
	03355.1011	1	Timer, Delay/Dilution - 240V ("A" Models)
	01347.0000	2	Screw, Truss Head Serrated #6-32 x .375"
	01388.0000	2	Screw, Pan Head #6-32 x .75"
	01510.0000	2	Lockwasher, External Tooth #6
2	01533.0000	4	Spacer, .171" I.D. x .375" O.D. x .375" LG
3	03024.0005	1	Thermostat Kit 120V (Includes item 4) (Late Models. Also replaces early model thermostat)
	01310.0000	1	Screw, Pan Head #6-32 x .25" } Mounting
	01510.0000	1	Lockwasher, External Tooth #6 }
	20762.0000	1	Screw, Binding Head #8-32 x .25 (Terminal)
4	00720.0000	1	Knob, Thermostat
5	-----	1	Timer, Brew 5 Min - 120V (Early Models - Order item 28)
	-----	1	Timer, Brew 5 Min - 240V ("A" Models) (Early Models - Order item 29)
	32400.0002	1	Digital Timer, Brew - 120V (Late Models)
	32400.0003	1	Digital Timer, Brew - 240V (Late Models)
	01347.0000	2	Screw, Truss Head Serrated #6-32 x .375"
	12919.0008	1	Cap, Terminal (Not illustrated)
6	-----	1	Decal (See TOP COVER, HOOD, TRUNK, BASE AND PANELS)
7	03358.0000	1	Switch, Start (Brown)
	03358.0001	1	Switch, Start (Black)
8	03357.0000	1	Switch, ON/OFF (Brown)
	03357.0003	1	Switch, ON/OFF (Black)
	03356.0000	1	Switch, ON/OFF/ON (Brown) (Brewers W/Full - Half Batch Option; also "A" & "B" Models)
	03356.0001	1	Switch, ON/OFF/ON (Black) (Brewers W/Full - Half Batch Option; also "A" & "B" Models) (Also Used For Models With Sweetener)
9	00603.0000	3	Clamp, Cable
	00970.0000	3	NUT, Keps #8-32
10	01309.0000	1	Screw, Power Cord Ground - Pan Head W/Washer #10-32 x .50"
11	00707.0000	1	Bushing, Strain Relief
12	21016.0044	1	Lead, Electrical Ground 16AWG GRN/YEL 15" Long
	01375.0000	1	Screw, Pan Head - Brass #10-32 x .50"
	01512.0000	1	Lockwasher, External Tooth #10
13	00824.0000	1	Decal, Ground
14	01908.0000	1	Connector, Power - 3 Pin 10 amp 250V
	01362.0000	2	Screw, Oval Head #4-40 x .50"
	01509.0000	2	Lockwasher, External Tooth #4
	00937.0000	2	Nut, Hex #4-40
15	00614.0000	1	Bushing, .469" I.D.
16	21016.0002	1	Lead, Heater to Control Thermostat - BLK 16AWG 15" LG

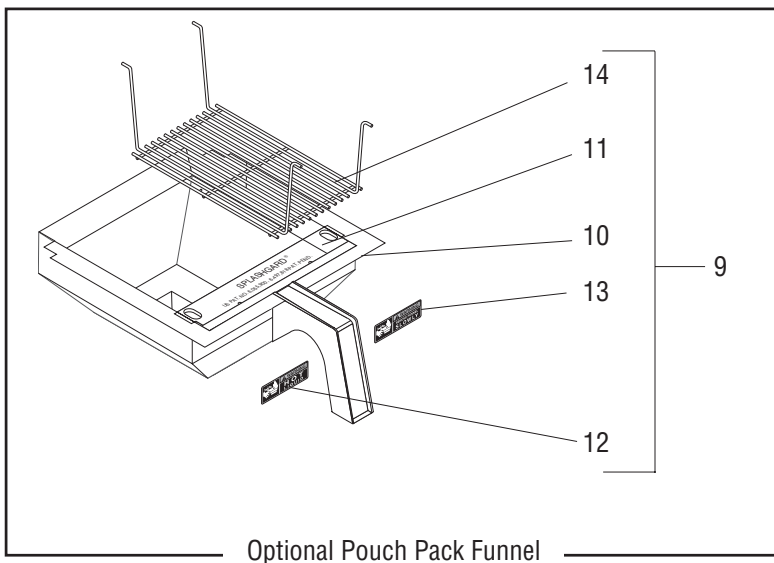
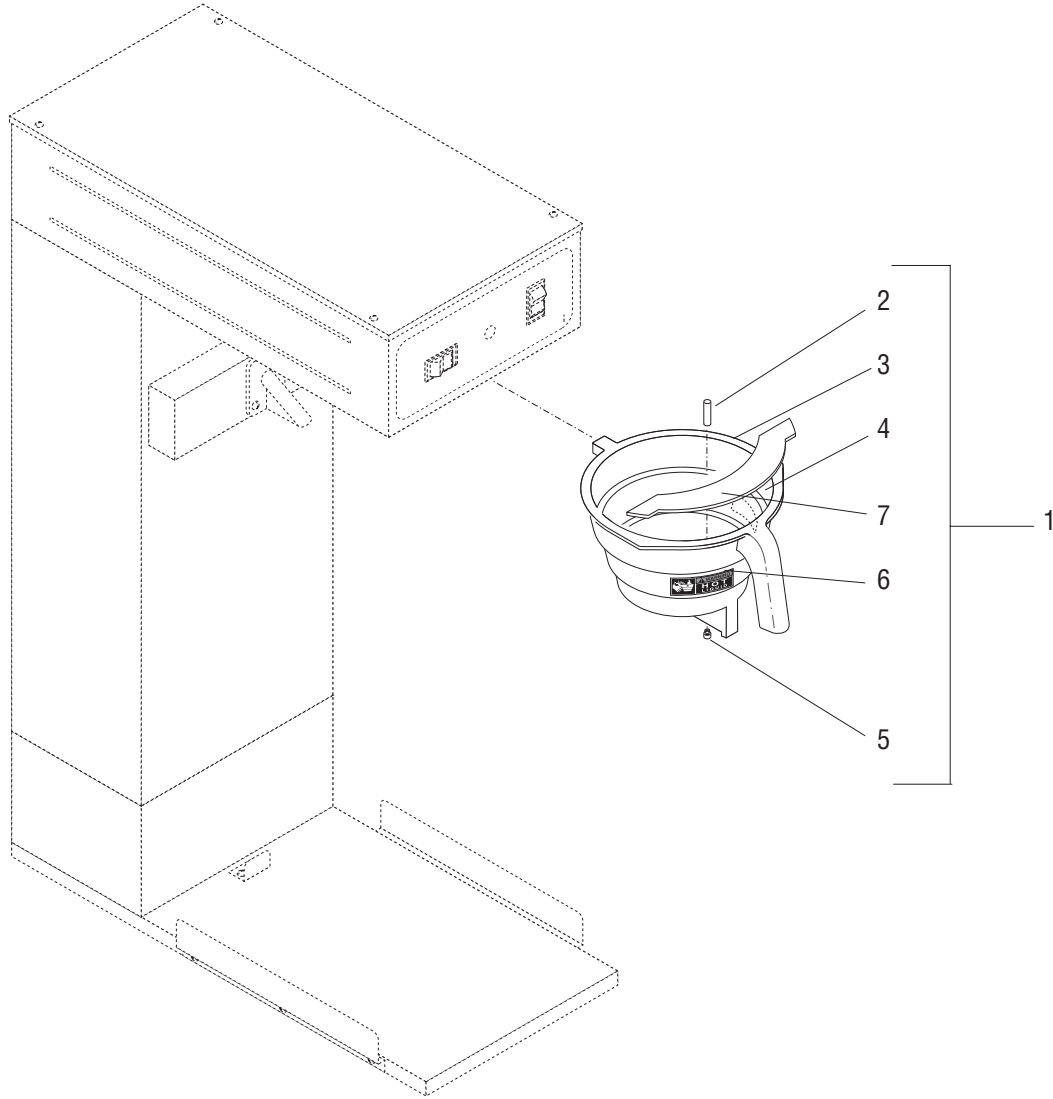
(Continued)

(Continued)



ELECTRICAL AND OPERATING CONTROLS

ITEM	PART NO.	QTY.	DESCRIPTION	
17	21016.0001	1	Lead, Limit Thermostat to Control Thermostat - BLU/BLK 16AWG 11" LG	
18	07073.0000	1	Grommet, Thermostat	
19	00636.0000	1	Shield, Polyester - Timer Boards	
20	00637.0000	1	Shield, Polyester - Switch Terminals	
21	21000.0074	1	Lead, Warmer Blanket to Main Harness 18AWG BLK 7.5" LG	} "A" Models
	21001.0098	1	Lead, Warmer Blanket to Main Harness 18AWG WHI 7.5" LG	
	21003.0174	1	Lead, Warmer Blanket to Main Harness 18AWG RED 6.5" LG ("A" Models)	
	21003.0173	1	Lead, Power Connector to Main Harness 18AWG RED 14.0" LG	
	21000.0421	1	Lead, Power Connector to Main Harness 18AWG BLK 14.0" LG	
	02240.0002	3	Lead Assembly, Timers to Selector Switch 22AWG PNK & GRY (Brewers W/Half-Full Batch Option)	
22	01637.0000	1	Cord, Power 120V & 100V	} Not Illustrated
23	03739.0000	1	Wiring Harness, Main 120V & 100V	
	03740.0000	1	Wiring Harness, Main 240V	
	12985.0000	1	Wiring Harness, Ready Light	
24	00617.0000	-	Tie, Cable 3.9" LG	
25	12984.0002	1	Lamp Assy, Green - 120V (Includes item 26)	
26	04243.0000	2	Terminal Housing	
27	20749.0000	1	Decal, READY	
28	32400.0000	-	Timer Kit, 120V (Replaces Early Model Timer with Digital Timer)	
29	32400.0001	-	Timer Kit, 240V (Replaces Early Model Timer with Digital Timer)	
30	36451.0000	1	Wiring Harness, Sweetener Solenoid (Not Illustrated)	



Optional Pouch Pack Funnel

FUNNEL ASSEMBLY

ITEM	PART NO.	QTY.	DESCRIPTION
1	03021.0004	1	Funnel Assembly, Brew Tea - Smoke (Includes items 2 thru 7)
2	03284.0000	1	Adaptor W/Screen, Funnel (See item 8)
3	-----	1	Funnel, Brew Tea - Smoke (Not Available. Order item 1)
4	03408.0000	1	Decal, Caution - Remove Funnel
5	03407.0000	1	Funnel Tip, .082" Dia (See item 8)
6	03409.0000	1	Decal, Caution - Hot Liquid
7	32965.0000	1	Splashgard
8	01037.0002	-	Funnel Tip & Screen Kit (Includes items 2 & 5) (Not illustrated)
9	35282.0002	1	Funnel Assembly, Smoke - Pouch Pack (Includes items 2, 5 & 10 thru 14)
10	-----	1	Funnel, Pouch Pack - Smoke (Not Available. Order item 9)
11	34438.0000	1	Splashgard, Pouch Pack
12	03408.0002	1	Decal, Warning - Remove Funnel
13	03409.0002	1	Decal, Warning - Hot Liquid
14	29916.0000	1	Insert, Wire Form - Pouch Pack

NUMERICAL INDEX

PART NO.	PAGE NO.	PART NO.	PAGE NO.	PART NO.	PAGE NO.	PART NO.	PAGE NO.
00310.0000	11,15	01309.0000	19	03408.0002	23	21000.0421	21
00310.0003	13	01310.0000	19	03409.0000	23	21001.0098	21
00400.0001	17	01315.0000	5,9	03409.0002	23	21003.0173	21
00406.0001	9	01317.0003	5	03423.0000	5	21003.0174	21
00412.0001	13,17	01327.0000	11,15	03423.1000	5	21016.0001	21
00430.0001	17	01347.0000	19	03423.1002	5	21016.0002	19
00432.0001	13,17	01362.0000	19	03453.0000	13,17	21016.0044	19
00435.0001	13,17	01375.0000	19	03468.0000	9	21812.0013	17
00443.0001	11,15	01382.0000	5,11,15	03470.0000	9	22150.0001	17
00458.0001	17	01388.0000	19	03717.0000	11,15	22249.0000	13,17
00459.0000	11,15	01502.0000	11	03739.0000	21	22251.0000	5
00463.0000	11,15	01509.0000	19	03740.0000	21	22297.0000	5
00464.0001	11,15	01510.0000	19	03760.0001	7	22298.0000	17
00465.0001	11,15	01512.0000	19	03760.0002	7	22300.0330	11
00484.0002	17	01532.0000	11,15	03760.0003	7	22300.0750	11,15
00603.0000	19	01533.0000	19	03762.0001	5	23721.0000	13,17
00614.0000	19	01592.0000	11,15	03762.0002	5	24356.0750	11,15
00617.0000	21	01637.0000	21	03765.0001	5	24600.0000	7
00636.0000	21	01908.0000	19	03765.0002	5	25137.0001	5
00637.0000	21	01975.0000	11	03765.0003	5	25523.0000	11,15
00656.0000	7	02240.0003	21	03767.0000	5	25615.0000	5
00668.0000	5	02308.0000	5	03770.0000	5	26371.0000	5
00707.0000	19	02337.0002	9	03771.0001	5	26371.0001	5
00720.0000	19	02712.1000	7	03771.0002	5	27432.0000	5
00824.0000	19	03021.0004	23	03771.0003	5	28025.0330	11
00831.0000	5	03024.0005	19	03772.0000	5	28025.0750	11
00908.0000	9	03045.0000	9	03773.0000	5	28026.0000	11
00917.0000	5	03045.0003	9	04243.0000	21	28479.0000	11,15
00929.0001	9	03068.0000	9	04844.0000	9	28480.0000	11,15
00937.0000	19	03070.1000	9	05515.0000	9	28481.0000	11,15
00942.0000	9	03170.0000	11,15	05518.0000	9	29329.1000	9
00943.0000	9	03284.0000	23	05557.0000	9	29916.0000	23
00949.0000	13	03297.1000	9	05696.0007	9	32035.0000	5
00970.0000	5,11,15,19	03299.1000	9	05749.0001	7	32035.0001	5
01037.0002	23	03352.0000	5	07073.0000	21	32400.0000	21
01075.0000	9	03355.1000	19	10233.0000	5	32400.0001	21
01079.0000	11,15	03355.1003	19	10299.0000	5	32400.0002	19
01082.0000	9	03355.1011	19	10558.0000	5	32400.0003	19
01082.0003	9	03355.1030	19	11707.1000	17	32540.0000	7
01085.0000	15	03356.0000	19	11707.1001	13,17	32582.0002	23
01085.0002	11	03356.0001	19	11707.1002	13,17	32965.0000	23
01100.0000	11	03357.0000	19	12422.0000	11,15	34438.0000	23
01101.0000	11,15	03357.0001	19	12919.0008	19	36451.0000	21
01111.0000	11,15	03358.0000	19	12984.0002	21		
01111.0002	11,15	03358.0001	19	12985.0000	21		
01116.0000	11,15	03363.0000	5	20526.1195	13,17		
01138.0000	11	03363.0001	5	20526.1750	13,15		
01139.0000	11	03371.0000	9	20526.1330	13		
01154.0000	11,15	03381.0000	5	20528.1195	13,17		
01154.0001	13,17	03381.0005	5	20554.0001	13,17		
01155.0000	13,15,17	03387.0000	9	20749.0000	21		
01170.0000	13,17	03407.0000	23	20762.0000	19		
01171.0001	13,17	03408.0000	23	21000.0074	21		