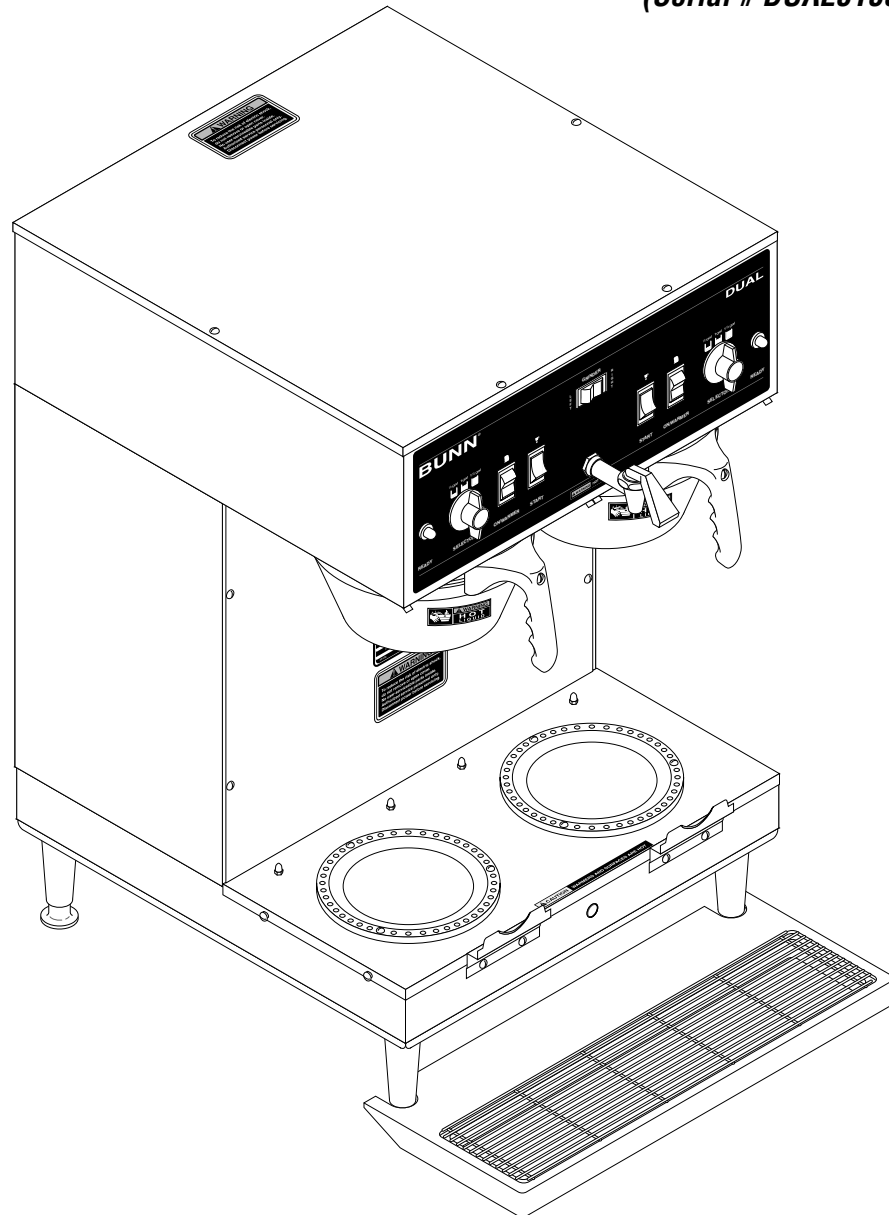


BUNN®

DUAL®

(Serial # DUAL010000 - Up)



ILLUSTRATED PARTS CATALOG

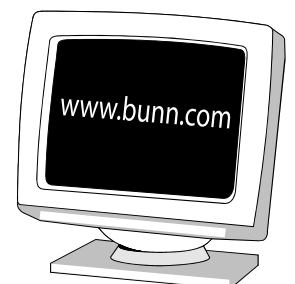
Designs, materials, weights, specifications, and dimensions for equipment or replacement parts are subject to change without notice.

BUNN-O-MATIC CORPORATION

POST OFFICE BOX 3227

SPRINGFIELD, ILLINOIS 62708-3227

PHONE: (217) 529-6601 FAX: (217) 529-6644



BUNN-O-MATIC COMMERCIAL PRODUCT WARRANTY

Bunn-O-Matic Corp. ("BUNN") warrants equipment manufactured by it as follows:

- 1) Airpots, thermal carafes, decanters, GPR servers, iced tea/coffee dispensers, MCR/MCP/MCA single cup brewers, thermal servers and ThermoFresh® servers (mechanical and digital) 1 year parts and 1 year labor.
- 2) All other equipment - 2 years parts and 1 year labor plus added warranties as specified below:
 - a) Electronic circuit and/or control boards - parts and labor for 3 years.
 - b) Compressors on refrigeration equipment - 5 years parts and 1 year labor.
 - c) Grinding burrs on coffee grinding equipment to grind coffee to meet original factory screen sieve analysis - parts and labor for 4 years or 40,000 pounds of coffee, whichever comes first.

These warranty periods run from the date of installation BUNN warrants that the equipment manufactured by it will be commercially free of defects in material and workmanship existing at the time of manufacture and appearing within the applicable warranty period. This warranty does not apply to any equipment, component or part that was not manufactured by BUNN or that, in BUNN's judgment, has been affected by misuse, neglect, alteration, improper installation or operation, improper maintenance or repair, non periodic cleaning and descaling, equipment failures related to poor water quality, damage or casualty. In addition, the warranty does not apply to replacement of items subject to normal use including but not limited to user replaceable parts such as seals and gaskets. This warranty is conditioned on the Buyer 1) giving BUNN prompt notice of any claim to be made under this warranty by telephone at (217) 529-6601 or by writing to Post Office Box 3227, Springfield, Illinois 62708-3227; 2) if requested by BUNN, shipping the defective equipment prepaid to an authorized BUNN service location; and 3) receiving prior authorization from BUNN that the defective equipment is under warranty.

THE FOREGOING WARRANTY IS EXCLUSIVE AND IS IN LIEU OF ANY OTHER WARRANTY, WRITTEN OR ORAL, EXPRESS OR IMPLIED, INCLUDING, BUT NOT LIMITED TO, ANY IMPLIED WARRANTY OF EITHER MERCHANTABILITY OR FITNESS FOR A PARTICULAR PURPOSE. The agents, dealers or employees of BUNN are not authorized to make modifications to this warranty or to make additional warranties that are binding on BUNN. Accordingly, statements by such individuals, whether oral or written, do not constitute warranties and should not be relied upon.

If BUNN determines in its sole discretion that the equipment does not conform to the warranty, BUNN, at its exclusive option while the equipment is under warranty, shall either 1) provide at no charge replacement parts and/or labor (during the applicable parts and labor warranty periods specified above) to repair the defective components, provided that this repair is done by a BUNN Authorized Service Representative; or 2) shall replace the equipment or refund the purchase price for the equipment.

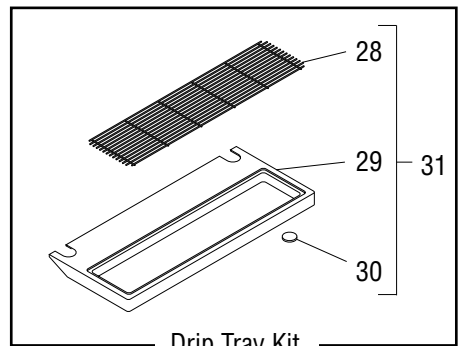
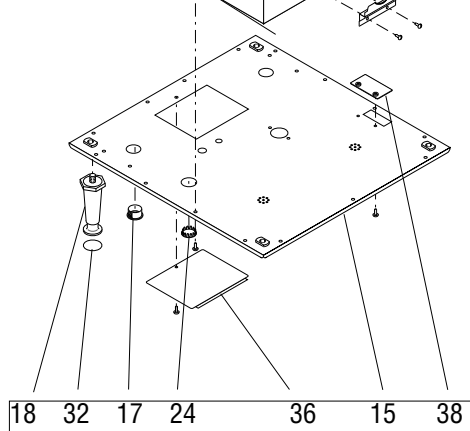
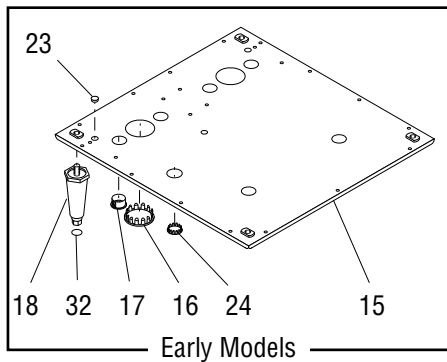
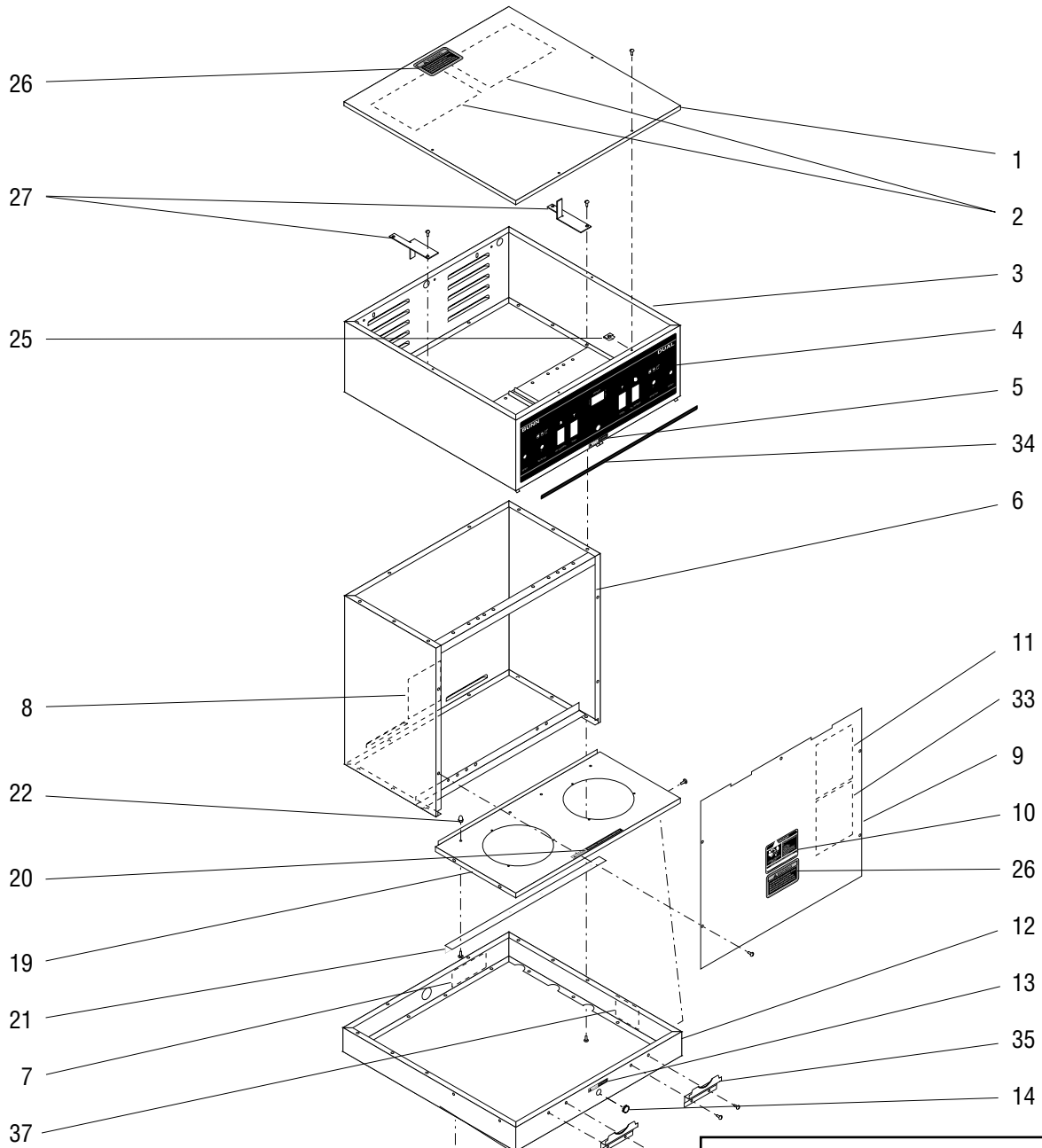
THE BUYER'S REMEDY AGAINST BUNN FOR THE BREACH OF ANY OBLIGATION ARISING OUT OF THE SALE OF THIS EQUIPMENT, WHETHER DERIVED FROM WARRANTY OR OTHERWISE, SHALL BE LIMITED, AT BUNN'S SOLE OPTION AS SPECIFIED HEREIN, TO REPAIR, REPLACEMENT OR REFUND.

In no event shall BUNN be liable for any other damage or loss, including, but not limited to, lost profits, lost sales, loss of use of equipment, claims of Buyer's customers, cost of capital, cost of down time, cost of substitute equipment, facilities or services, or any other special, incidental or consequential damages.

392, A Partner You Can Count On, Air Infusion, AutoPOD, AXIOM, BrewLOGIC, BrewMETER, Brew Better Not Bitter, BrewWISE, BrewWIZARD, BUNN Espresso, BUNN Family Gourmet, BUNN Gourmet, BUNN Pour-O-Matic, BUNN, BUNN with the stylized red line, BUNNlink, Bunn-OMatic, Bunn-O-Matic, BUNNserve, BUNNSERVE with the stylized wrench design, Cool Froth, DBC, Dr. Brew stylized Dr. design, Dual, Easy Pour, EasyClear, EasyGard, FlavorGard, Gourmet Ice, Gourmet Juice, High Intensity, iMIX, Infusion Series, Intellisteam, My Café, Phase Brew, PowerLogic, Quality Beverage Equipment Worldwide, Respect Earth, Respect Earth with the stylized leaf and coffee cherry design, Safety-Fresh, savemycoffee.com, Scale-Pro, Silver Series, Single, Smart Funnel, Smart Hopper, SmartWAVE, Soft Heat, SplashGard, The Mark of Quality in Beverage Equipment Worldwide, ThermoFresh, Titan, trifacta, TRIFECTA (stylized logo), Velocity Brew, Air Brew, Beverage Bar Creator, Beverage Profit Calculator, Brew better, not bitter., Build-A-Drink, BUNNSource, Coffee At Its Best, Cyclonic Heating System, Daypart, Digital Brewer Control, Element, Milk Texturing Fusion, Nothing Brews Like a BUNN, Picture Prompted Cleaning, Pouring Profits, Signature Series, Sure Tamp, Tea At Its Best, The Horizontal Red Line, Ultra are either trademarks or registered trademarks of Bunn-O-Matic Corporation. The commercial trifacta® brewer housing configuration is a trademark of Bunn-O-Matic Corporation.

TABLE OF CONTENTS

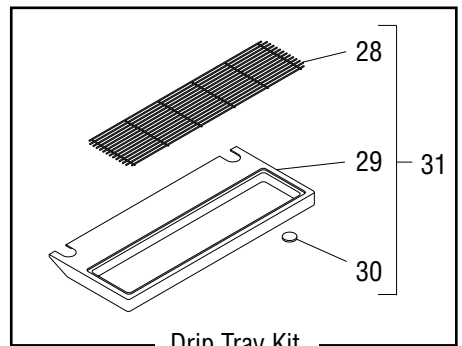
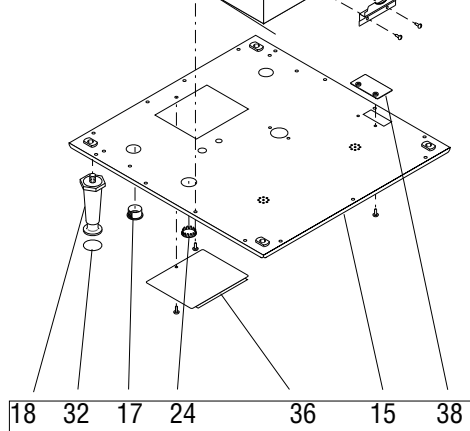
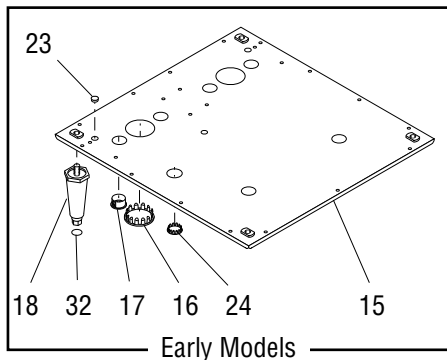
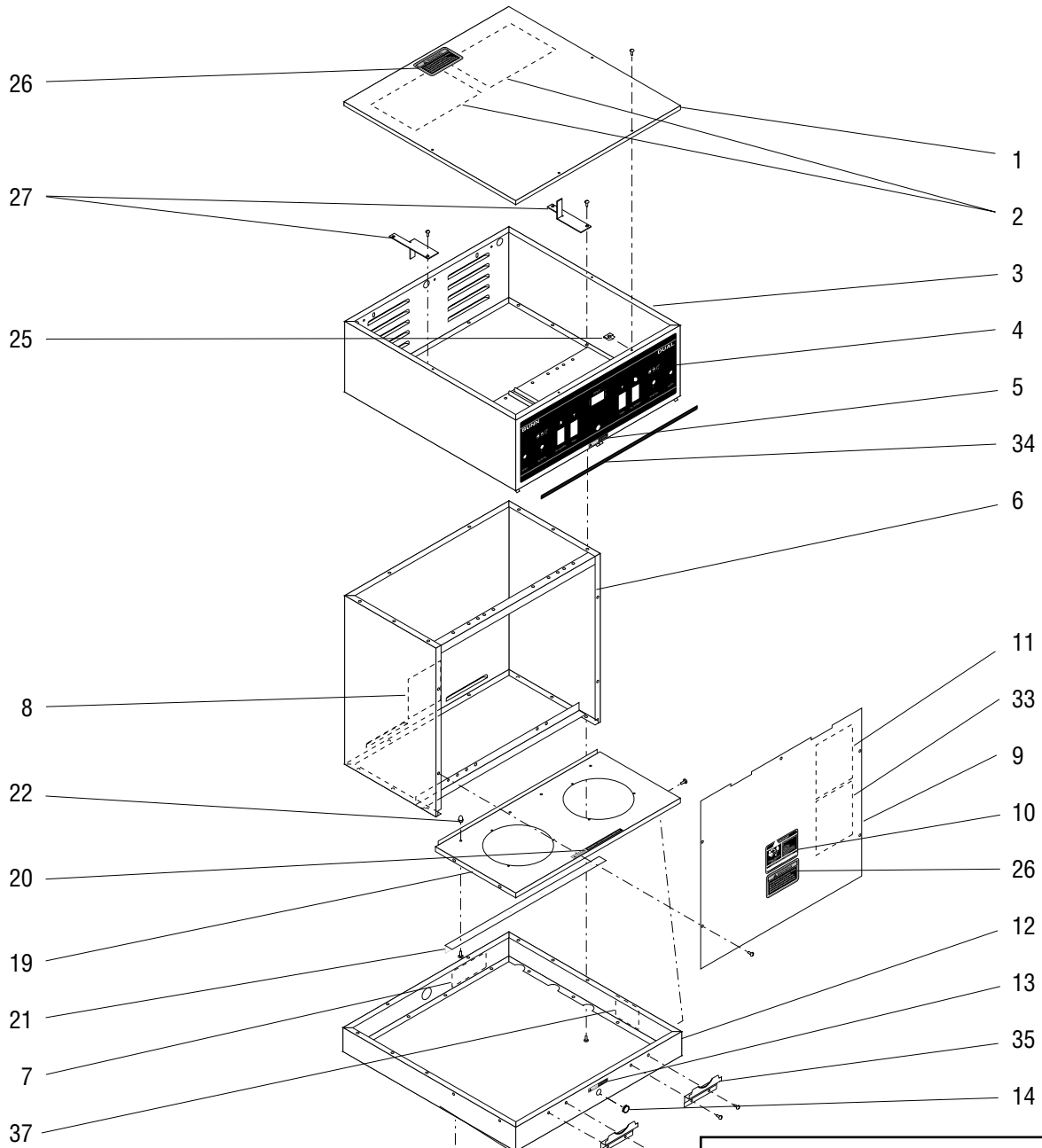
Base - Trunk - Hood - Covers & Panels	4
Digital Brewer Control Assembly	18
Dispense Valve and Sprayhead.....	36
Electrical Controls & Ready Light.....	42
Faucet - Upper & Lower	40
Funnels.....	50
Inlet Valve & Line	30
Numerical Index	52
Single Set Timers & Electronic Control	14
Single Set Timers & Mechanical Thermostat.....	10
Strainer, Solenoid & Lines.....	26
Tank and Mounting Brackets	24
Tank Heater & Overflow Protection Devices	20
Triple Set Timers & Electronic Control.....	16
Triple Set Timers & Mechanical Thermostat.....	12
Warmer Assemblies	48
Water By-Pass.....	32



BASE - TRUNK - HOOD - COVERS & PANELS

ITEM	PART NO.	QTY.	DESCRIPTION	
1	25376.0000	1	Cover Assy, Top (Includes items 2 & 26) (Brewers with Mechanical Thermostat or Electronic Control) (Shown)	
	25376.0002	1	Cover Assy, Top - BLK (Includes items 2 & 26) (Brewers with Mechanical Thermostat or Electronic Control)	
	25376.0001	1	Cover Assy, Top (Includes items 2, 26 & 07075.0000 Grommet) (Brewers with DBC)	
	02336.0000	4	Screw, Truss Head SST 4 - 40 x .375"	
	02336.0002	4	Screw, Truss Head BLK 4 - 40 x .375"	
2	25151.0000	2	Shield, Insulator	
3	22313.0000	1	Hood W/Decals (W/O Upper Faucet)	} Includes items 4 & 5
	22313.0001	1	Hood W/Decals (W/O Upper Faucet & W/O Selector Switches)	
	22313.0002	1	Hood W/Decals (W/Upper Faucet & Selector Switches)	
	22313.0003	1	Hood W/Decals (W/Upper Faucet - W/O Selector Switches)	
	22313.0004	1	Hood W/Decals (W/Upper Faucet - W/one Grinder Interface)(Shown)	
	22313.0005	1	Hood W/Decals (W/O Upper Faucet - W/one Grinder Interface)	
	22313.0007	1	Hood W/Decals - BLK (W/O Upper Faucet - W/One Grinder Interface)	
	02308.0000	16	Screw, Pan Head 8 - 32 x .375"	
4	20966.0000	1	Decal, Control Panel (W/O Upper Faucet)	
	20966.0001	1	Decal, Control Panel (W/O Upper Faucet & W/O Selector Switches)	
	20966.0002	1	Decal, Control Panel (W/Upper Faucet & Selector Switches)	
	20966.0003	1	Decal, Control Panel (W/Upper Faucet - W/O Selector Switches)	
	20966.0004	1	Decal, Control Panel (W/Upper Faucet - W/one Grinder Interface)(Shown)	
	20966.0005	1	Decal, Control Panel (W/O Upper Faucet - W/one Grinder Interface)	
	20966.0010	1	Decal, Control Panel (W/Upper Faucet - 3 Phase Models)	
	5	20201.5600	1	Decal, Caution Hot Water (Early Models)
6	24396.0000	1	Trunk W/Decals (120V)	} Includes item 8
	24396.0001	1	Trunk W/Decals (120/240V, 200V & 230V)	
	24396.0003	1	Trunk W/Decals - BLK (120/240V, 200V & 230V)	
7	00656.0001	1	Decal, Comply to Plumbing Code	
8	00831.0000	1	Decal, Warning - Electrical	
9	27044.0000	1	Panel W/Decals, Trunk (200V & 230V) (Includes items 10 & 26)	} Includes items 10, 11 & 26
	27044.0001	1	Panel W/Decals, Trunk (W/Mechanical Thermostat)	
	27044.0002	1	Panel W/Decals, Trunk (W/Electronic Control)	
	27044.0003	1	Panel W/Decals, Trunk (W/Single Interface & Mech. Thermostat)	
	27044.0007	1	Panel W/Decals, Trunk - BLK (W/Single Interface & Mech. Thermostat)	
	27044.0004	1	Panel W/Decals, Trunk (W/Single Interface & Electronic Control)	
	27044.0006	1	Panel W/Decals, Trunk (120/240V W/DBC)	
	01382.0003	5	Screw, Truss Head SST 6 - 32 x .375"	
	01382.0007	5	Screw, Truss Head BLK 6 - 32 x .375"	
	10	00658.0000	1	
11	10864.0000	1	Schematic (120/240V W/DBC)	
	10864.0001	1	Schematic (120/240V W/Mechanical Thermostat)	
	10864.0003*	1	Schematic (120/240V W/Electronic Control)	
	10864.0005	1	Schematic (120/240V W/one Grinder Interface & Mechanical Thermostat)	
	10864.0006	1	Schematic (120/240V W/one Grinder Interface & Electronic Control)	
	28876.0001	1	Schematic (230V)	

(continued)

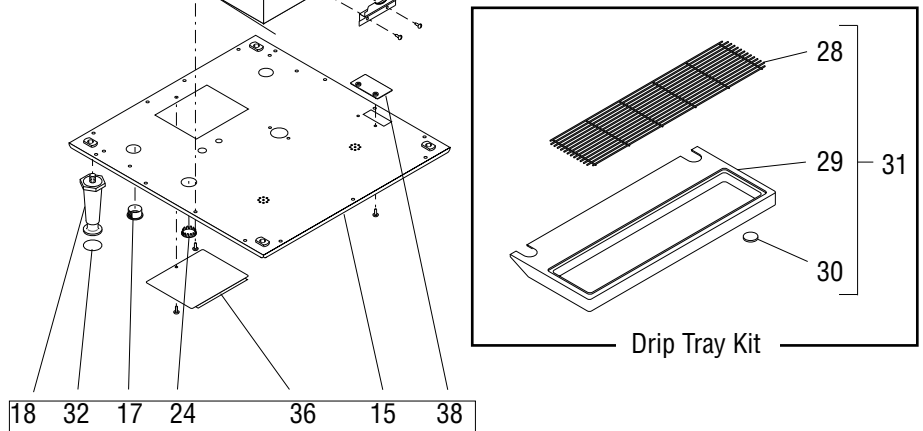
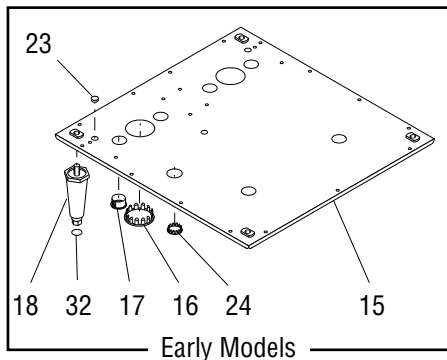
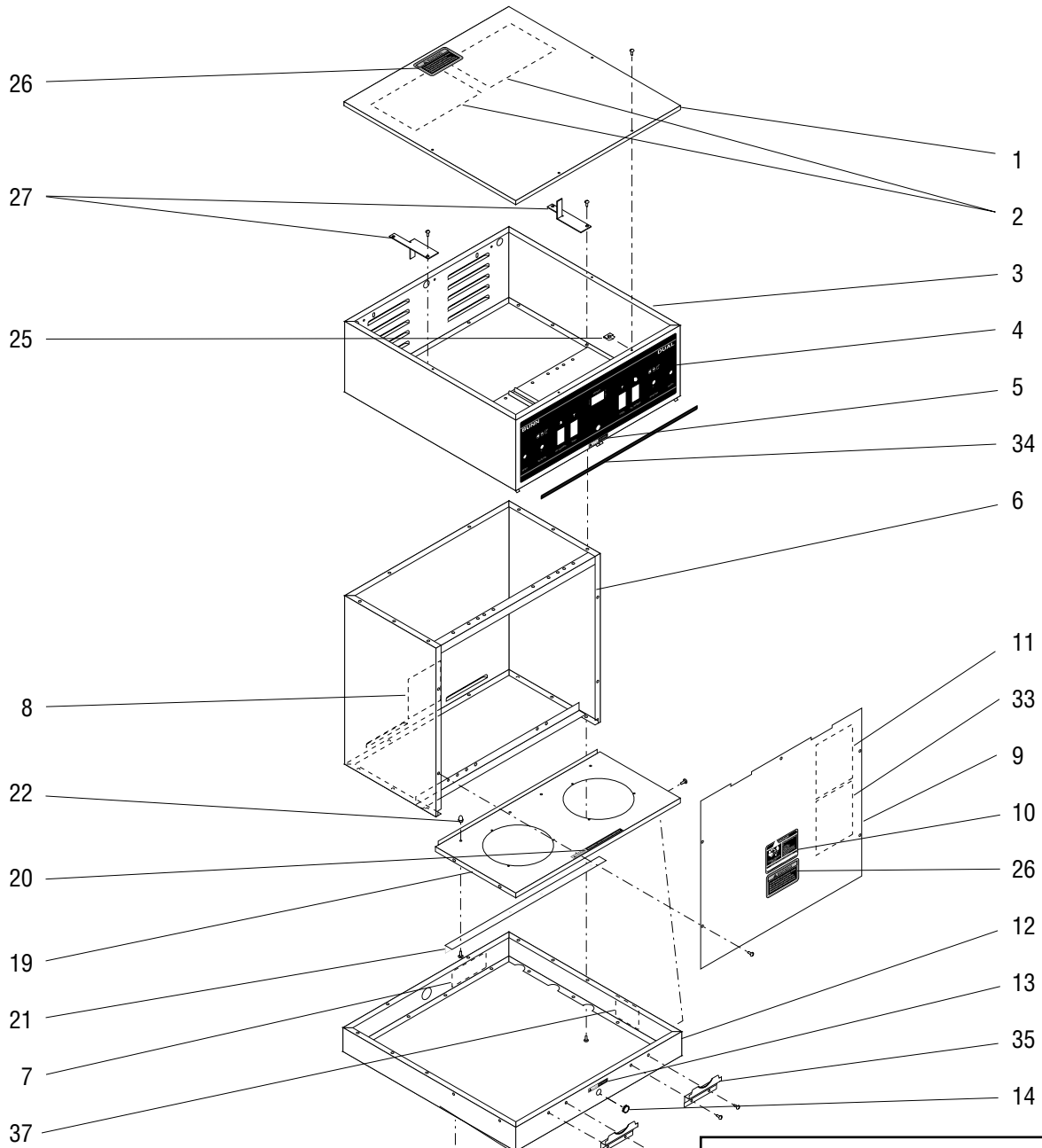


BASE - TRUNK - HOOD - COVERS & PANELS

ITEM	PART NO.	QTY.	DESCRIPTION
12	24458.0000	1	Base W/Decals (Includes items 7, 13 & 14)
	24458.0002	1	Base W/Decals - BLK (Includes items 7, 13 & 14)
	02308.0000	8	Screw, Pan Head 8 - 32 x .375"
13	20201.5600	1	Decal, Caution Hot Water
14	00619.0007	1	Plug, Hole .50" Dia. (Not used W/Lower Faucet)
15	20916.0004	1	Cover, Bottom SST
	20916.0005	1	Cover, Bottom BLK
	20916.0006	1	Cover, Bottom SST
	20916.0007*	1	Cover, Bottom BLK
	20916.0009	1	Cover, Bottom SST
	20916.0010	1	Cover, Bottom BLK
	20916.0003	1	Cover, Bottom (3 Phase model only)
	02308.0000	12	Screw, Pan Head 8 - 32 x .375"
16	00619.0008	2	Plug, Hole 2.0" Dia. (Early models)
17	03011.0000	6	Plug, Vent 1.0" Dia. (4 less used on Late models)
18	26528.0000	4	Leg, Adj BLK-FLG (See item 39)
	00502.0000	4	Leg, Adj NKL-FLG (See item 39)
	00506.0000	4	Leg, 8.0" SST
19	24455.0005	1	Warmer Panel Assy W/Decal (Includes items 20, 21, 22 & four 01311.0000 Screws)
	24455.0006	1	Warmer Panel Assy W/Decal BLK (Includes items 20, 21, 22 & four 01311.0000 Screws)
	01382.0003	4	Screw, Truss Head SST 6 - 32 x .375"
	01382.0007	4	Screw, Truss Head BLK 6 - 32 x .375"
20	12364.0000	1	Decal, Caution-Warmers are Hot
21	21106.0002	1	Angle, Support
	01311.0000	4	Screw, Truss Head 8 - 32 x .25"
22	02324.0000	4	Nut, Acorn 8 - 32
23	00671.0000	2	Plug, Hole .312" Dia. (Early models only)
24	00619.0005	1	Plug, Hole 1.06" Dia.
25	00916.0000	4	Clip, J-Type #4-40
26	37881.0000	2	Decal, Warning - "No Serviceable Parts"
27	26949.0001	2	Bracket, Tank Supporting
28	26916.0000	1	Wire Grill, Drip Tray (SST)
	26916.0001	1	Wire Grill, Drip Tray (Brass)
29	26971.1000	1	Drip Tray W/Pads (Includes item 30)
30	11591.0000	4	Pad, Adhesive 1.0" Dia.
31	27150.0000	-	Drip Tray Kit (Includes items 28, 29 & 30)
32	03996.0000	4	Pad, Anti-Skid - Rubber 1.25" Dia. (See item 39)
	03993.0000	4	Pad, Anti-Skid - Rubber .70" Dia (See item 39)
33	32540.0000	1	Decal, Timer Setting Instruction

} Models with Main Power Switch

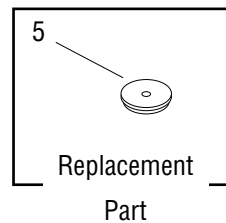
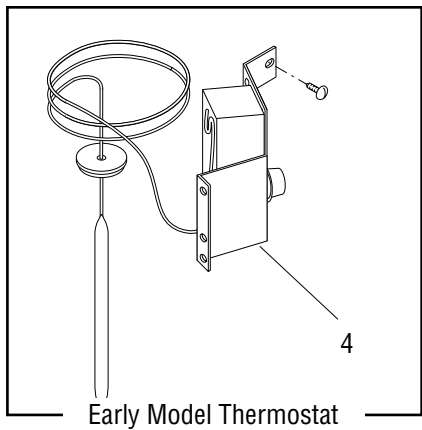
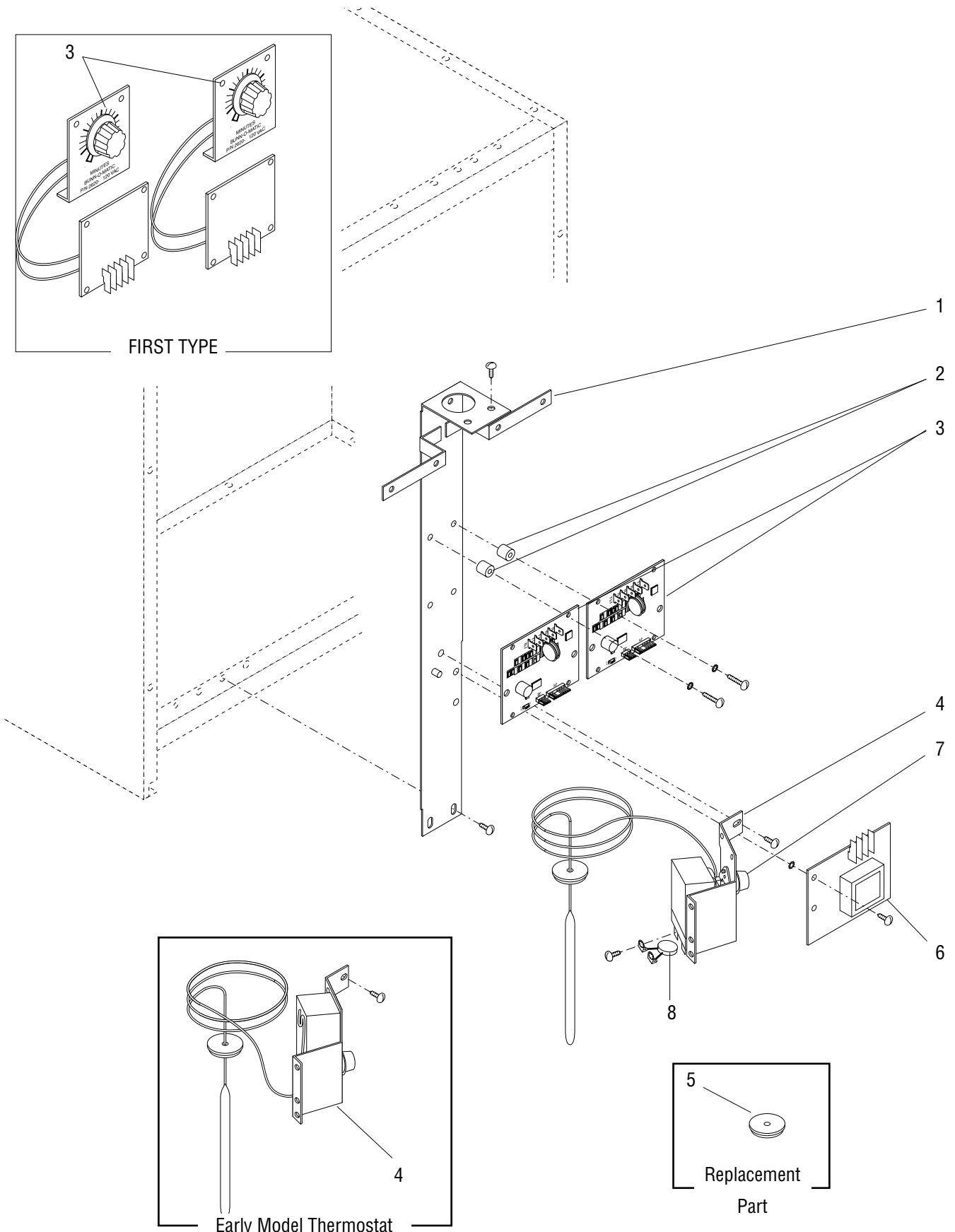
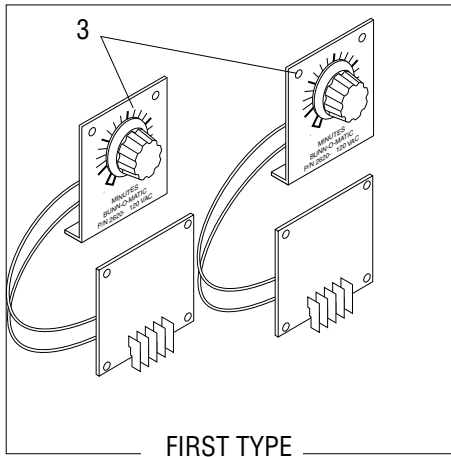
(continued)



BASE - TRUNK - HOOD - COVERS & PANELS

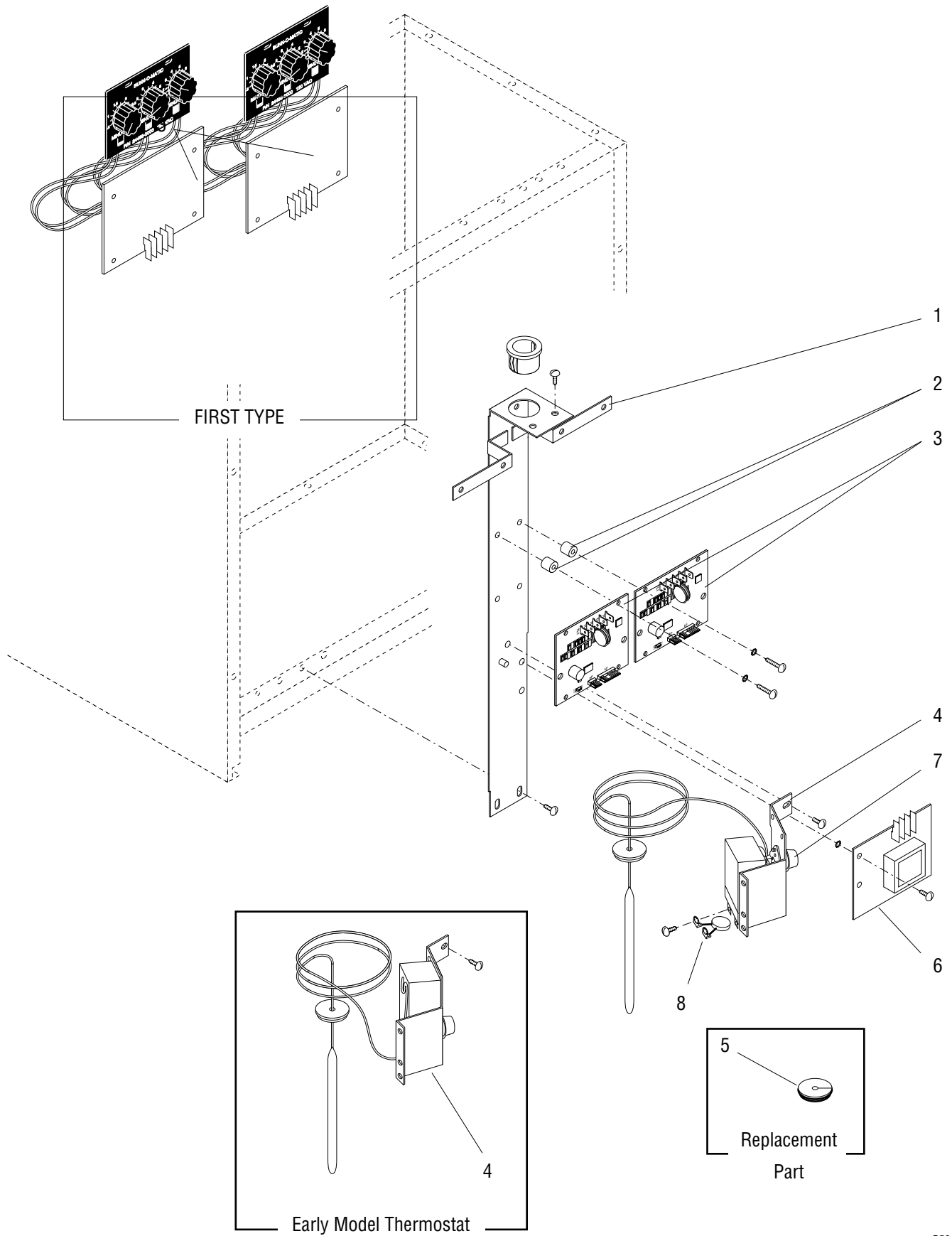
ITEM	PART NO.	QTY.	DESCRIPTION
34	22306.0001	1	Decal, Red Decor Stripe (Black models only)
35	21104.0003	2	Plate, Server Stop SST
	21104.0004	2	Plate, Server Stop BLK
	01347.0000	4	Screw, Truss Head #6-32 x .38"
	01347.0002	4	Screw, Truss Head BLK #6-32 x .38" (BLK Models)
36	34948.1000	1	Plate, Access Panel (Late models only)
	02308.0000	1	Screw, Pan Head 8 - 32 x .375"
37	39803.0000	1	Decal, Main Switch (Models with Main Power Switch only)
38	38820.0001	1	Plate, On/Off Switch
	02308.0000	2	Screw, Pan Head 8 - 32 x .375" } Brewers without Main Power Switch
39	13255.0002	-	Kit, Leg 4.0" Nickel Adjustable (Includes items 18 & 32)
	13255.0001	-	Kit, Leg 4.0" Black Plastic Adjustable (Includes items 18 & 32)

* Indicates the part number listed is for reference only. See DESCRIPTION for possible service replacement.



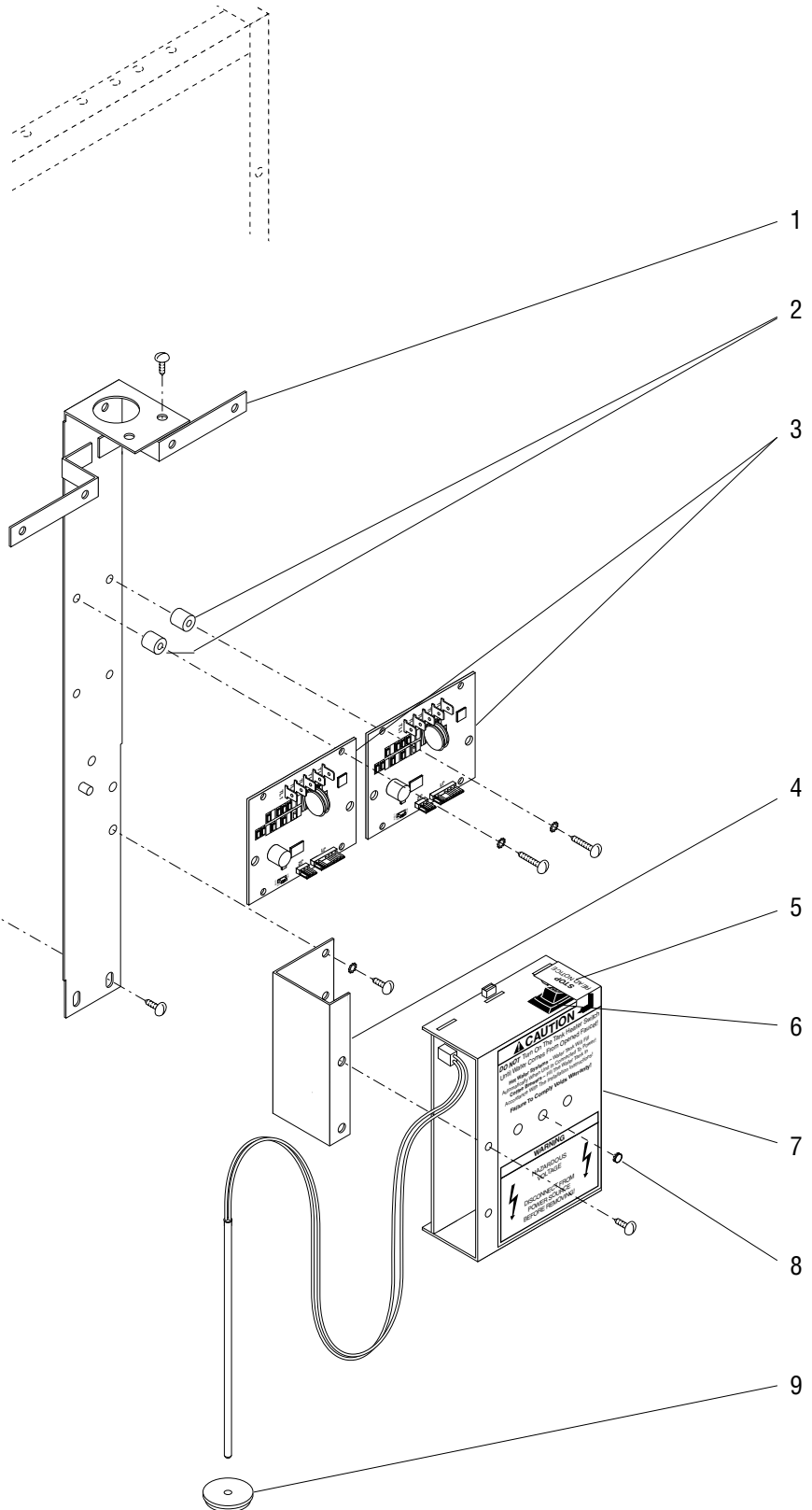
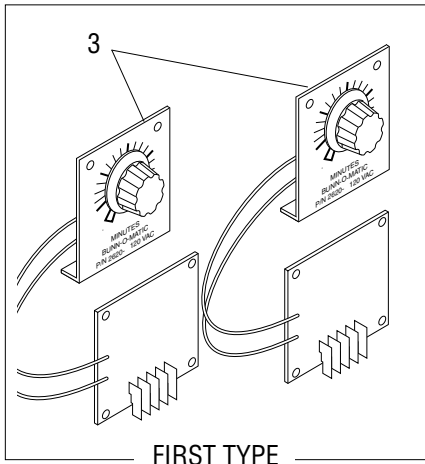
SINGLE SET TIMERS & MECHANICAL THERMOSTAT

ITEM	PART NO.	QTY.	DESCRIPTION
1	20948.0001	1	Bracket, Component Mounting
	02308.0000	4	Screw, Pan Head 8 - 32 x .375"
2	01533.0000	4	Spacer, Nylon .375"
3	-----	2	Timer, 8 Min. 120V (Shown) (No Longer Available. Order Item 9)
	-----	2	Timer, 8 Min. 240V (No Longer Available. Order Item 10)
	32400.0002	2	Timer, Digital 120V (Second Type)
	32400.0003	2	Timer, Digital 240V (Second Type)
	01347.0000	4	Screw, Truss Head #6 - 32 x .375" (Not used with Digital Timer)
	01510.0000	4	Lockwasher, External Tooth #6
	01388.0000	4	Screw, Truss Head 6 - 32 x .75"
	12919.0008	2	Cap, Terminal (Not illustrated)
4	04314.0007	1	Thermostat Kit (Includes items 5, 7 & 8) (Late Models) (Also replaces early model thermostat)
	02308.0000	1	Screw, Pan Head 8 - 32 x .375"
	20762.0000	2	Screw, Binding Head 8 - 32 x .25" (Terminal Screw)
5	07073.0000	1	Grommet, Thermostat
6	07074.1026	1	Control Board, Level (120/208V & 120/240V Models)
	07074.1028	1	Control Board, Level (200V, 230V & 240V Models)
	02308.0000	2	Screw, Pan Head 8 - 32 x .375"
	01511.0000	2	Lockwasher, External Tooth #8
7	00720.0000	1	Knob, Thermostat
8	28377.0000	1	Noise, Suppressor (Not used with Digital Timer)
9	32400.0000	1	Timer Kit, Digital 120V (With Adapter)
10	32400.0001	1	Timer Kit, Digital 240V (With Adapter)



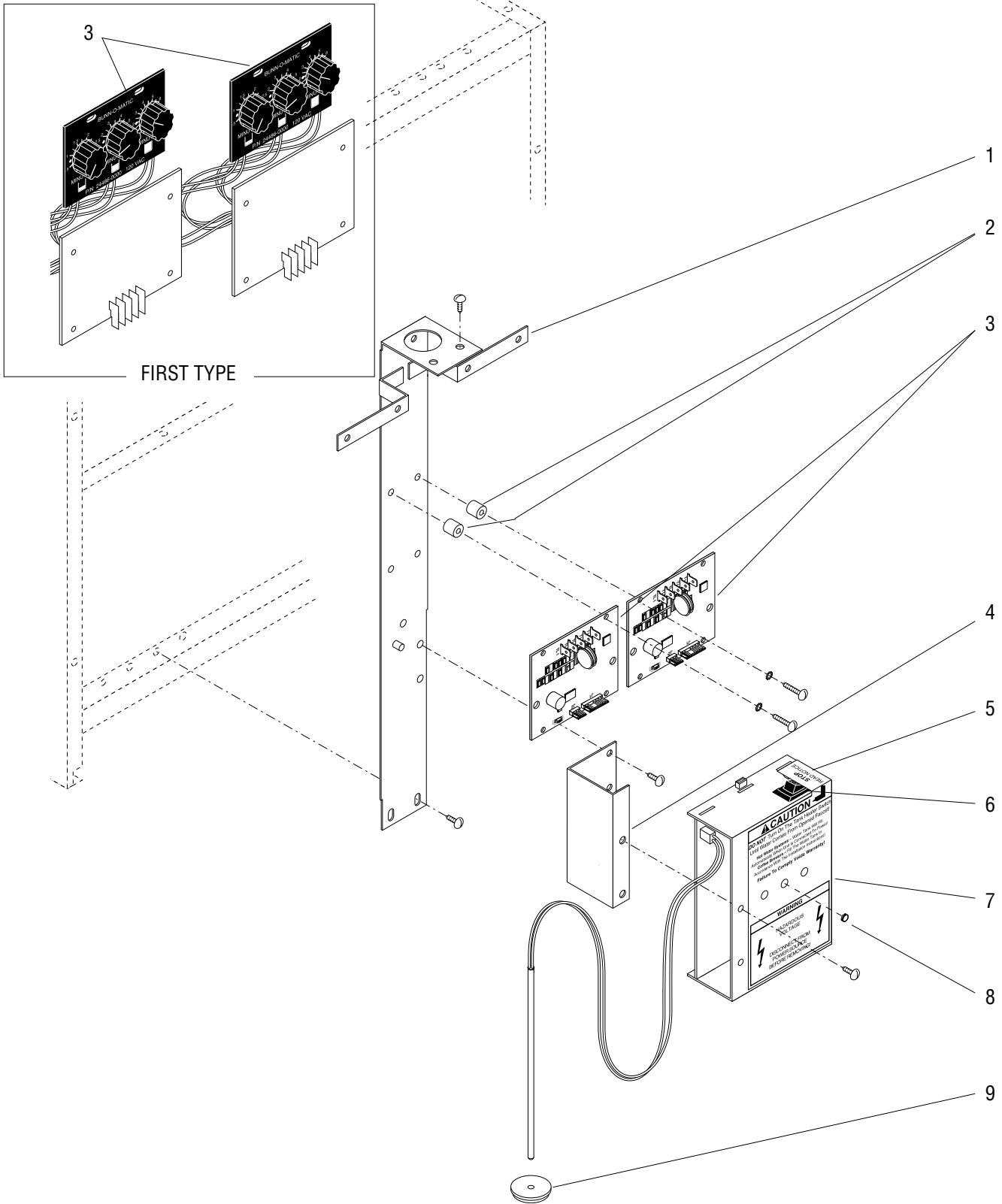
TRIPLE SET TIMERS & MECHANICAL THERMOSTAT

ITEM	PART NO.	QTY.	DESCRIPTION
1	20948.0001	1	Bracket, Component Mounting
	02308.0000	4	Screw, Pan Head 8 - 32 x .375"
2	01533.0000	4	Spacer, Nylon .375"
3	-----	2	Timer, Triple (120/208V & 120/240V Models) (No Longer Available. Order Item 9)
	-----	2	Timer, Triple (200V & 240V Models) (No Longer Available. Order Item 10)
	32400.0002	2	Timer, Digital 120V (Second Type)
	32400.0003	2	Timer, Digital 200V & 240V (Second Type)
	38358.1001	2	Timer, Digital 230V (ROHS Europe)
	01347.0000	4	Screw, Truss Head #6 - 32 x .375" (Not used with Digital Timer)
	01510.0000	4	Lockwasher, External Tooth #6
	01388.0000	4	Screw, Truss Head 6 - 32 x .75"
	12919.0008	2	Cap, Terminal (Not illustrated)
4	04314.0007	1	Thermostat Kit (Includes items 5, 7 & 8) (Late Models) (Also replaces early model thermostat)
	02308.0000	1	Screw, Pan Head 8 - 32 x .375"
	20762.0000	2	Screw, Binding Head 8 - 32 x .25" (Terminal Screw)
5	07073.0000	1	Grommet, Thermostat
6	07074.1026	1	Control Board, Level (120/208V & 120/240V Models)
	07074.1028	1	Control Board, Level (200V, 230V & 240V Models)
	02308.0000	2	Screw, Pan Head 8 - 32 x .375"
	01511.0000	2	Lockwasher, External Tooth #8
7	00720.0000	1	Knob, Thermostat
8	28377.0000	1	Noise Suppressor (Not used with Digital Timer)
9	32400.0000	1	Timer Kit, Digital 120V (with Adapter)
10	32400.0001	1	Timer Kit, Digital 240V (with Adapter)



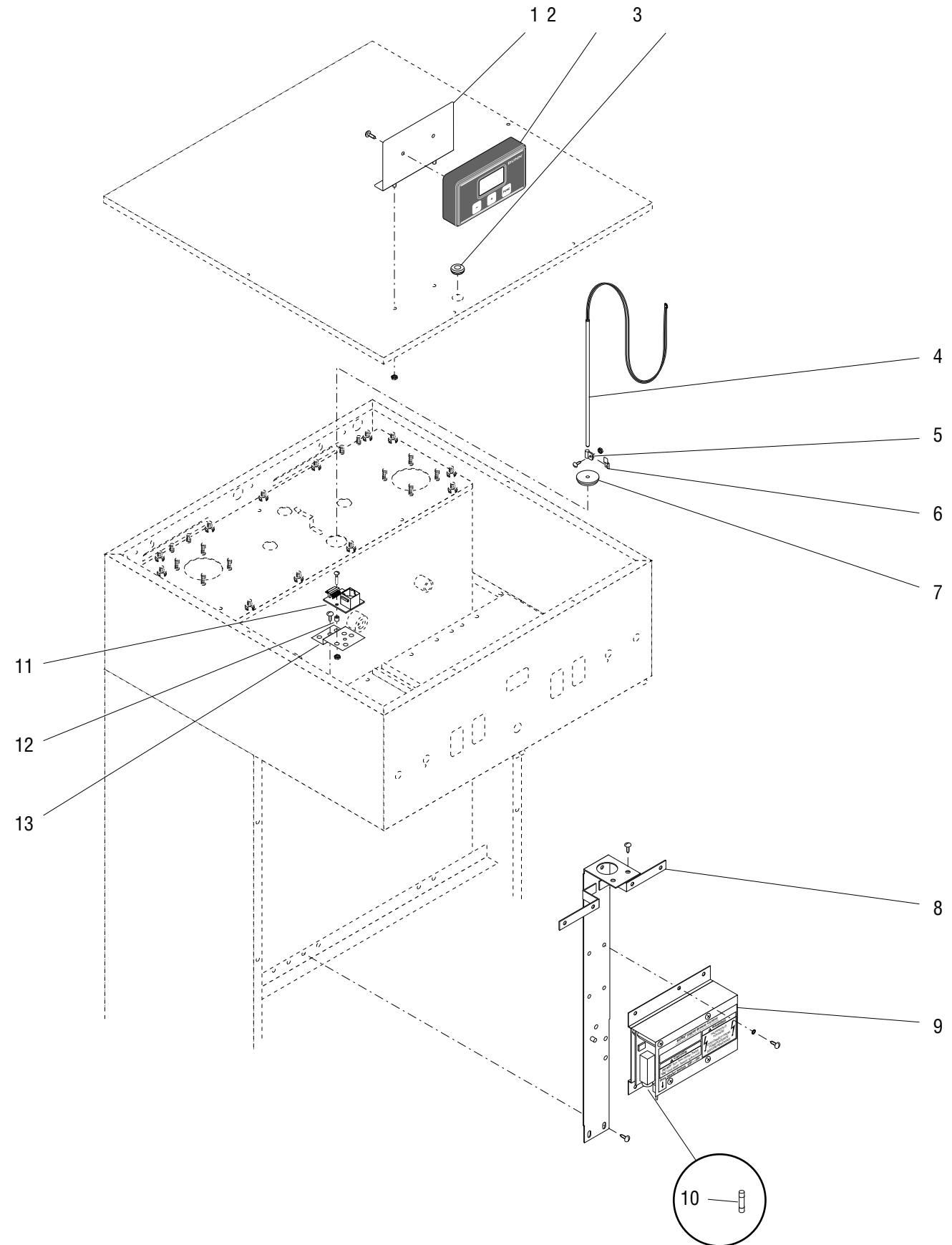
SINGLE SET TIMERS & ELECTRONIC CONTROL

ITEM	PART NO.	QTY.	DESCRIPTION
1	20948.0001	1	Bracket, Component Mounting
	02308.0000	4	Screw, Pan Head 8 - 32 x .375"
2	01533.0000	4	Spacer, Nylon .375"
3	-----	2	Timer, 8 Min. 120V (Shown) (No Longer Available. Order Item 10)
	-----	2	Timer, 8 Min. 240V (No Longer Available. Order Item 11)
	32400.0002	2	Timer, Digital 120V (Second Type)
	32400.0003	2	Timer, Digital 240V (Second Type)
	01347.0000	4	Screw, Truss Head #6 - 32 x .375" (Not used with Digital Timer)
	01510.0000	4	Lockwasher, External Tooth #6
	01388.0000	4	Screw, Truss Head 6 - 32 x .75"
4	21122.0000	1	Bracket, Electronic Control Mounting
	02308.0000	2	Screw, Pan Head 8 - 32 x .375"
5	12560.1015	1	Control Assy, Electronic (Includes items 6 thru 9)
	02308.0000	2	Screw, Pan Head 8 - 32 x .375"
6	04786.0002	1	Switch, On/Off
7	12559.0000	1	Decal, Caution/Warning
8	00619.0002	1	Plug, Hole .250" Dia.
9	12570.0000	1	Grommet, Temp. Sensor
10	32400.0000	1	Timer Kit, Digital 120V (With Adapter)
11	32400.0001	1	Timer Kit, Digital 240V (With Adapter)



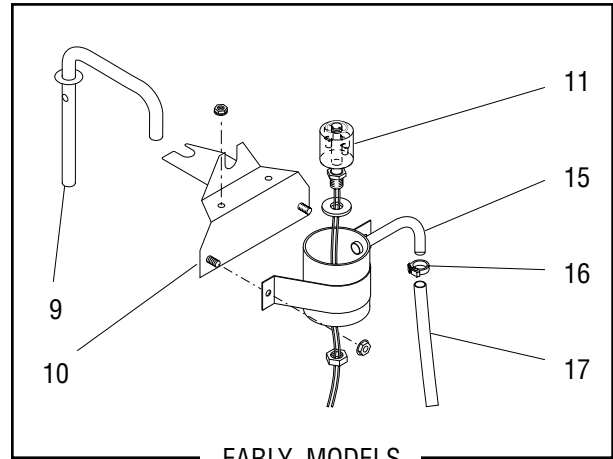
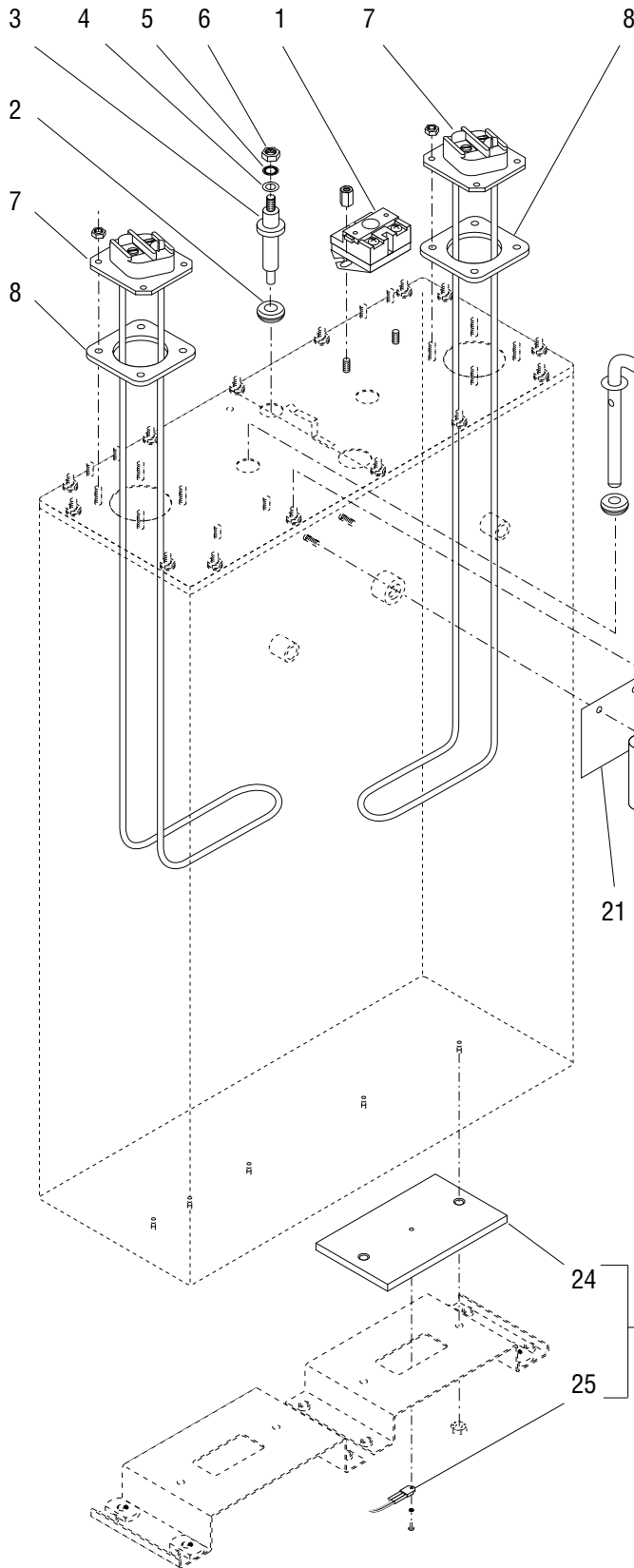
TRIPLE SET TIMERS & ELECTRONIC CONTROL

ITEM	PART NO.	QTY.	DESCRIPTION
1	20948.0001	1	Bracket, Component Mounting
	02308.0000	4	Screw, Pan Head 8 - 32 x .375"
2	01533.0000	4	Spacer, Nylon .375"
3	-----	2	Timer, Triple (120/208V & 120/240V Models)(No Longer Available. Order Item 10)
	-----	2	Timer, Triple (200V & 240V Models) (No Longer Available. Order Item 11)
	32400.0002	2	Timer, Digital 120V
	32400.0003	2	Timer, Digital 240V
	01347.0000	4	Screw, Truss Head #6 - 32 x .375" (Not used with Digital Timer)
	01510.0000	4	Lockwasher, External Tooth #6
	01388.0000	4	Screw, Truss Head 6 - 32 x .75"
4	21122.0000	1	Bracket, Electronic Control Mounting
	02308.0000	2	Screw, Pan Head 8 - 32 x .375"
5	12560.1015	1	Control Assy, Electronic (Includes items 6 thru 9)
	02308.0000	2	Screw, Pan Head 8 - 32 x .375"
6	04786.0002	1	Switch, On/Off
7	12559.0000	1	Decal, Caution/Warning
8	00619.0002	1	Plug, Hole .250" Dia.
9	12570.0000	1	Grommet, Temp. Sensor
10	32400.0000	1	Timer Kit, Digital 120V (with Adapter)
11	32400.0001	1	Timer Kit, Digital 240V (with Adapter)

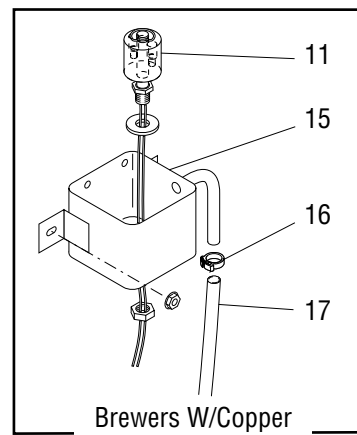
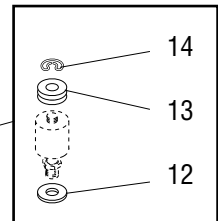
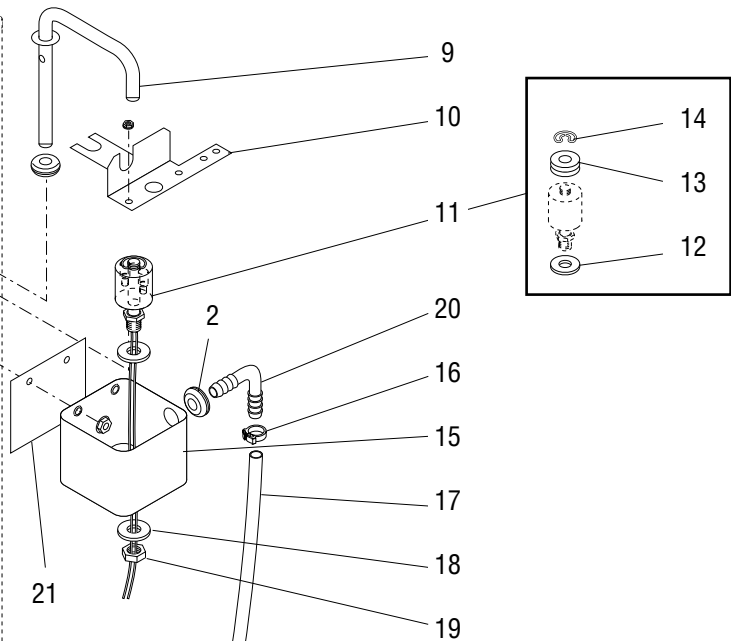


DIGITAL BREWER CONTROL ASSEMBLY

ITEM	PART NO.	QTY.	DESCRIPTION
1	25648.0000*	1	Bracket, Mounting
	00970.0000	2	Nut, Keps 8 - 32
2	25654.0000	1	DBC Display Assembly
	02328.0003	2	Screw, Pan Head 6 - 32 x .312"
3	07075.0000	1	Grommet, Silicone .437" I.D.
4	12568.0003	1	Sensor, Temperature
5	26263.0000	1	Clamp, Steel .12"/.19"
	01382.0000	1	Screw, Truss Head 6 - 32 x .375"
	00973.0000	1	Nut, Keps 6 - 32
6	01667.0000	1	Terminal, .25
7	12570.0000	1	Grommet, Temp. Sensor
8	20948.0001	1	Bracket, Component Mounting
	02308.0000	4	Screw, Pan Head 8 - 32 x .375"
9	25468.0002	1	DBC Power Board Assembly (Includes item 10)
	02308.0000	2	Screw, Pan Head 8 - 32 x .375"
10	27035.0000	1	Fuse, AGC 5 AMP 250V
11	25513.0000	1	Receptacle, Display
	01388.0000	2	Screw, Truss Head 6 - 32 x .75"
	00973.0000	2	Nut, Keps 6 - 32
12	01533.0000	2	Spacer, Nylon .375"
13	07441.0000	1	Bracket, Mounting
	01347.0000	2	Screw, Truss 6 - 32 x .375"
	00973.0000	2	Nut, Keps 6 - 32
14	25662.0001	1	Cord Assembly, Display 18.0" (Not illustrated)



EARLY MODELS



Brewers W/Copper
Overflow Cup

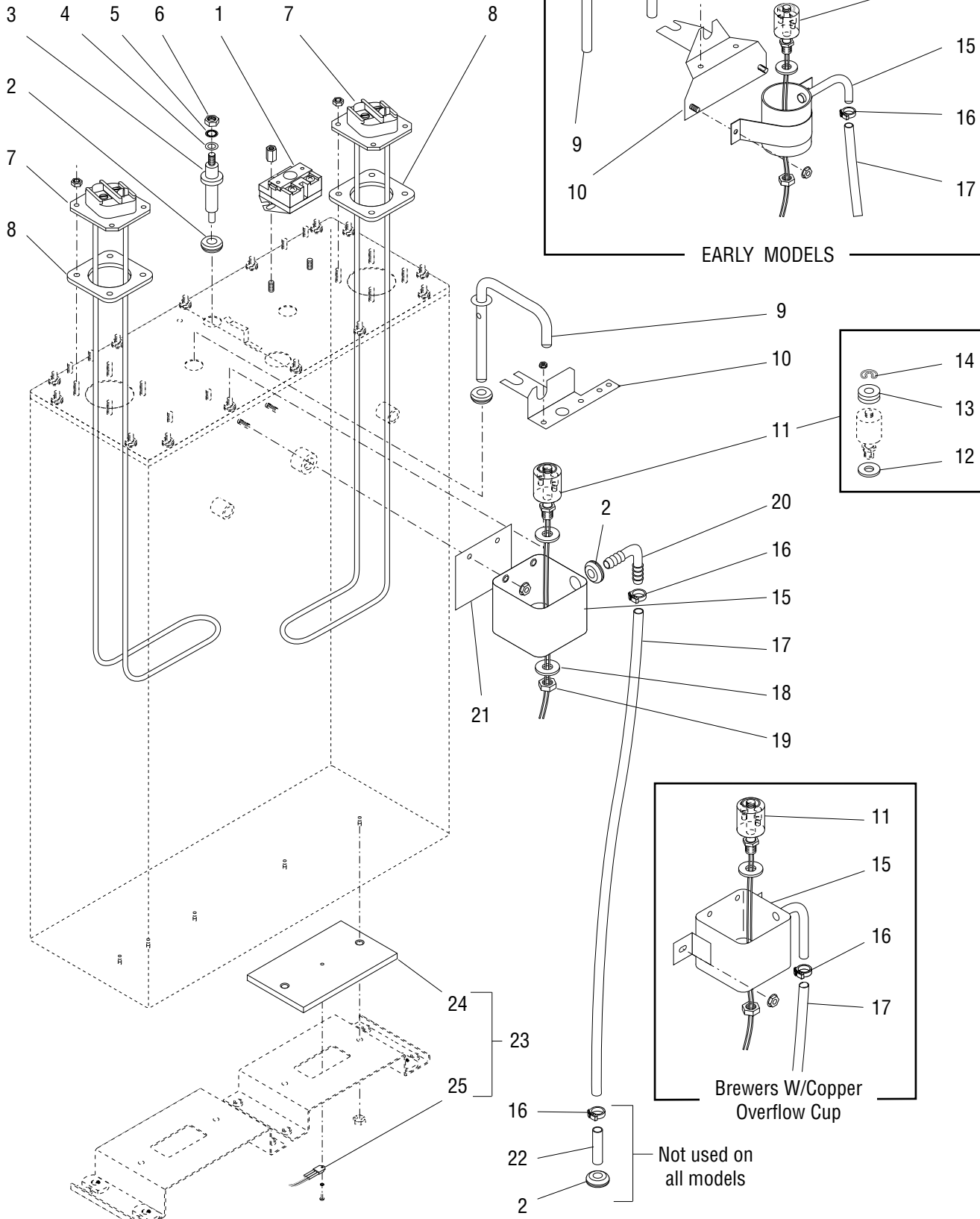
16
22
2
Not used on
all models

TANK HEATER & OVERFLOW PROTECTION DEVICES

ITEM	PART NO.	QTY.	DESCRIPTION	
1	23717.0003	1	Thermostat, Limit (One additional used on brewers w/4000W tank heaters.) (Two additional used on 3 Phase Brewers)	
	00908.0000	2	Nut, Hex 8 - 32 (Two additional used w/4000W tank heater) (Four additional used on 3 Phase Brewers)	
2	02536.0000	4	Grommet,.375" I.D.	
3	20936.1000	1	Probe Kit (Includes items 4, 5 & 6)	
4	01501.0000	1	Washer, .164" I.D. x .375" O.D.	
5	20203.0100	1	Lockwasher, Internal Tooth #8	
6	00908.0000	1	Nut, Hex 8 - 32	
7	20922.1000	2	Tank Heater, 3300W @ 240V (One additional used on 3 Phase Brewers)	Includes item 8
	20922.1001	2	Tank Heater, 1650W @ 120V	
	20922.1002	2	Tank Heater, 2850W @ 208V, 3795W @ 240V	
	12305.1000	2	Tank Heater, 4000W @208V	
	00908.0000	8	Nut, Hex 8 - 32	
8	12398.0002	2	Gasket, Tank Heater	
	-----	1	Tube Assy, Vent (First type. Not available order item 24)	
	26622.0001	1	Tube Assy, Vent (Second type)	
10	-----	1	Bracket, Overflow Cup Mounting (First type. Not available order item 24)	
	27473.0000	1	Bracket, Overflow Cup Mounting (Second type)	
11	03803.0000	1	Switch Assy, Liquid Level (Includes items 12, 13 & 14)	
	00946.0000	1	Nut, Hex .125" FPT	
12	03633.0000	2	Gasket, Float Switch (Only 1 used in this application)	
13	-----	3	Washer, Adjusting (DO NOT USE IN THIS APPLICATION)	
14	03807.0000	1	Clip, Spring	
15	-----	1	Overflow Cup Assy Copper (First type. Order item 28)	
	22728.0000	1	Overflow Cup Assy Copper (Second type) (Also replaces aluminum cup)	
	41259.1003	1	Kit, Overflow Cup (Aluminum) (Includes items 2,18, 20 & 21)	
	00971.0000	2	Nut, Keps #10-32	
16	12422.0000	2	Clamp, Hose .47"/.54" I.D.	
17	03236.0013*	1	Tube, Silicone .312" I.D. x 23.0" (Order item 27)	
18	04797.0000	1	Washer, Celcon .520" I.D. x 1.0" O.D.	
19	00946.0000	1	Nut, Hex .125" FPT	
20	41280.0001	1	Elbow,.375" Multi Barb	
21	41266.0000	1	Film, Insulating	
22	21801.0002	1	Tube	
23	12527.0002	1	Triac/Heat Sink Assy (Includes items 24, 25 & 26) (Brewers with Electronic Control only)	Brewers with Electronic Control or DBC only
	12527.0008	1	Triac/Heat Sink Assy (Includes items 24, 25 & 26) (Brewers with DBC only)(One additional required on brewers with 4000W tank heaters)	
	00971.0000	1	Nut, Keps 10 - 32	
24	12397.0000	1	Heat Sink, Copper (Brewers with Electronic Control)	
	12561.0000	1	Heat Sink, Copper (Brewers with DBC)	

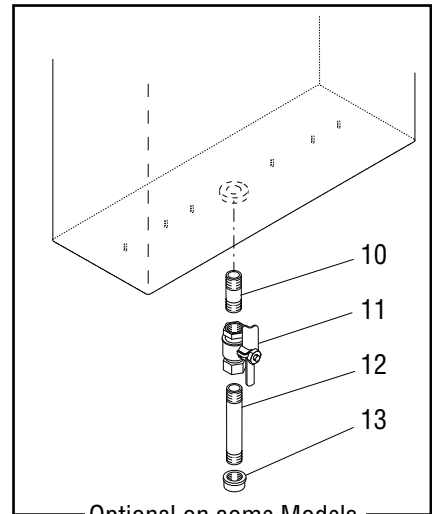
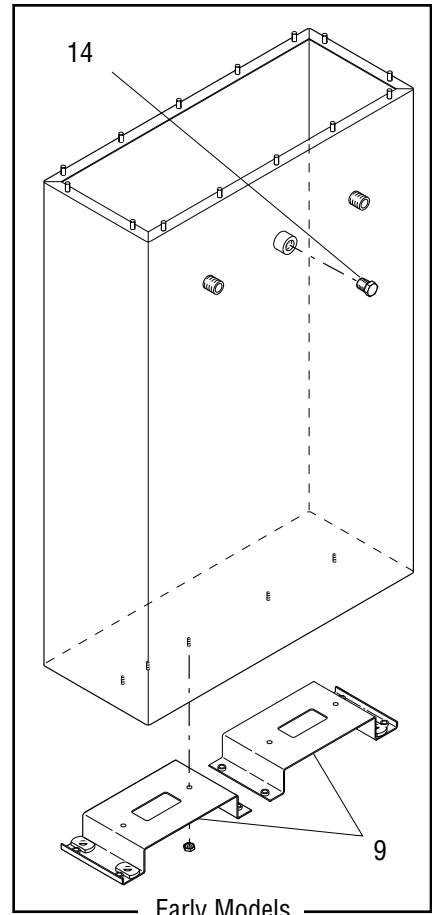
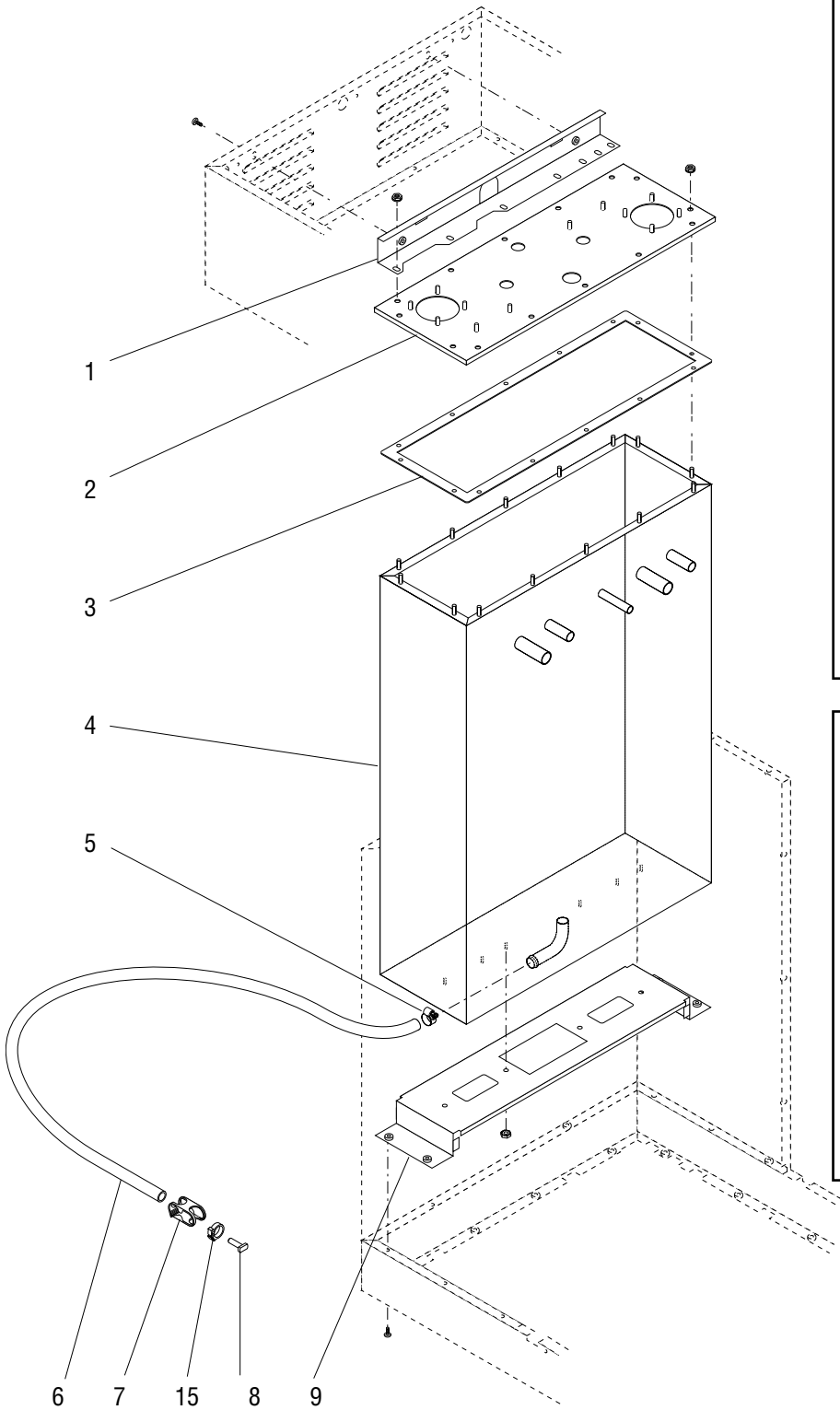
(Continued)

* Indicates the part number listed is for reference only. See DESCRIPTION for possible service replacement.



TANK HEATER & OVERFLOW PROTECTION DEVICES

ITEM	PART NO.	QTY.	DESCRIPTION	
25	12565.0002	1	Triac Assy, 40 Amp (Brewers with Electronic Control only)	} Brewers with Electronic Control or DBC only
	12565.0008	1	Triac Assy, 40 Amp (Brewers with DBC only) (One additional required on brewers with 4000W tank heaters)	
	02328.0003	1	Screw, Pan Head 6 - 32 x .312"	
	01520.0000	1	Lockwasher, Split #6	
26	M2522.1000	-	Heat Sink Compound	} Not Illustrated
27	03236.1001	-	Tube, Silicone .312" I.D. x 36.0"	
	03236.1003	-	Tube, Silicone .312" I.D. x 60.0"	
	03236.1002	-	Tube, Silicone .312" I.D. x 120.0"	
28	27461.0000	-	Kit, Square Overflow Cup (For tank w/out side mounted studs)	

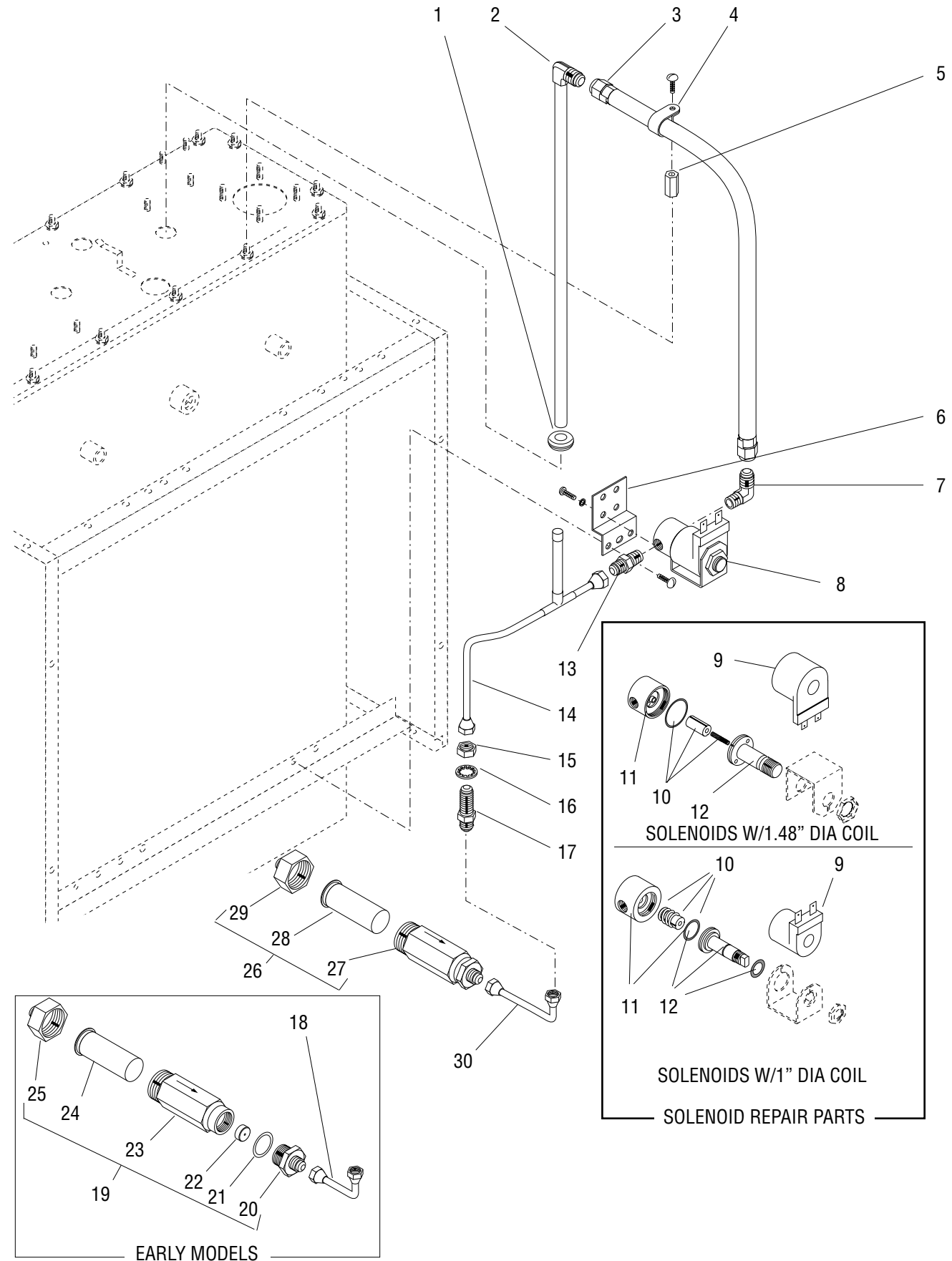


TANK AND MOUNTING BRACKETS

ITEM	PART NO.	QTY.	DESCRIPTION
1	26826.0000*	1	Bracket, Tank Support (Top) (Early models. Not available rder Late Model Bracket)
	37526.0000	1	Bracket, Tank Support (Top) (Late models)
	02308.0000	2	Screw, Pan Head #8 - 32 x .375"
	01317.0005	2	Screw, Truss Head BLK 8 - 32 x .375"
	00908.0000	2	Nut, Hex #8 - 32 (2 additional used on early models)
2	20881.0000	1	Lid, Tank
	37524.0000	1	Lid, Tank (3 Phase models)
	00908.0000	14	Nut, Hex #8 - 32
3	20883.0000	1	Gasket, Tank
4	20951.1000	1	Tank (Early models without drain)
	20878.1006	1	Tank (Early models with optional drain)
	20878.1008	1	Tank (Late models)
5	29421.0000	1	Clamp, Hose-Worm Drive .625"/.75"
6	32591.0011*	1	Tube, Silicone .50" I.D. x 36" LG (Order item 16)
7	11630.0001	1	Clamp, Tubing Shut Off .75" O.D.
8	35086.0000	1	Plug, .50" I.D. Hose
9	20201.2600*	2	Bracket, Tank Mtg (Mech Thermostat & Elect Control)
	20201.2601*	2	Bracket, Tank Mtg (DBC Models w/4000W Tank Heaters)
	38392.0000	1	Bracket, Tank Mtg (Late models)
	00971.0000	4	Nut, Keps #10 - 32
	02308.0000	4	Screw, Pan Head #8 - 32 x .375"
10	32242.0000	1	Nipple, Brass 2.0"
11	35439.1000	1	Valve, Ball Shut-off
12	32242.0002	1	Nipple, Brass 5.0"
13	32241.0000	1	Cap
14	20201.6001	1	Plug, Pipe .25" NPT (Not used with faucet models) (Early models only)
15	12422.0009	1	Clamp, Hose .71"/.80" I.D.
16	32591.1002	-	Tube, Silicone .50" I.D. x 36.0" LG

Early models. Not available
order Late Model Bracket

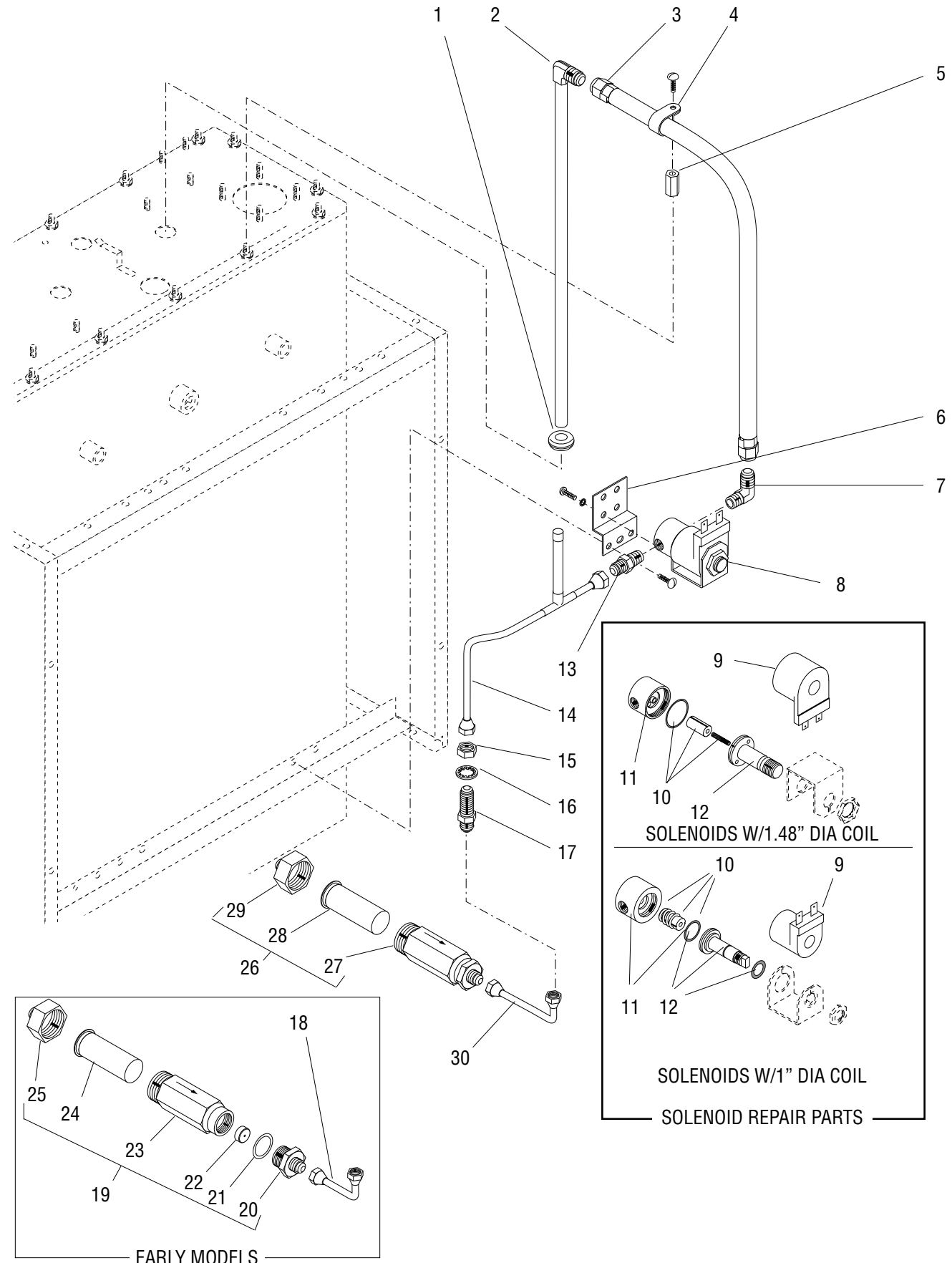
Early Models with Optional Drain



STRAINER, SOLENOID & LINES

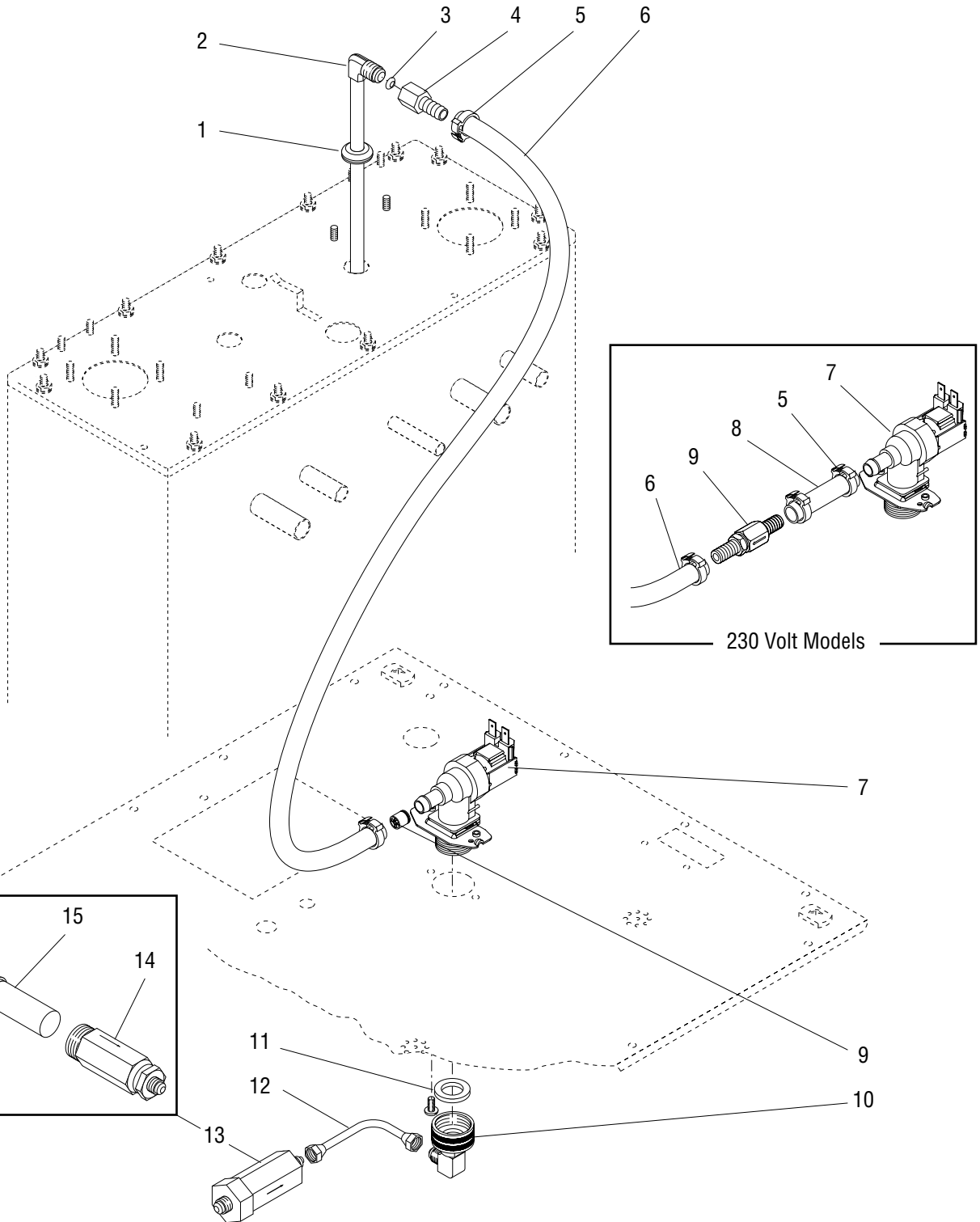
ITEM	PART NO.	QTY.	DESCRIPTION
1	02536.0000	1	Grommet, .375" I.D.
2	20937.0000	1	Tube, Tank Fill
3	20977.1000	1	Hose Assy, Solenoid to Tank
4	00620.0000	1	Clamp, Hose Retaining
	02308.0000	1	Screw, Pan Head 8 - 32 x .375"
5	00950.0000	1	Spacer, Hose Clamp
6	20201.4301	1	Bracket, Solenoid Mounting
	02308.0000	2	Screw, Pan Head 8 - 32 x .375"
7	00400.0001	1	Elbow, Male .250" Flare x .125" MPT
8	01085.0000	1	Solenoid Valve Assy, 120V - 1.48" Dia Coil (Without Inlet Screen)
	01085.1006	1	Solenoid Valve Assy, 120V - 1.48" Dia Coil (With Inlet Screen)
	01085.0002	1	Solenoid Valve Assy, 120V - 1" Dia Coil
	01975.0000	1	Solenoid Valve Assy, 240V - 1.48" Dia Coil (Without Inlet Screen)
	01085.1007	1	Solenoid Valve Assy, 240V - 1.48" Dia Coil (With Inlet Screen)
	21180.0000	1	Solenoid Valve Assy, 200V
	01327.0000	2	Screw, Pan Head 10 - 32 x .375"
	01502.0000	2	Lockwasher, Split #10
9	01101.0000	1	Solenoid Valve Coil, 120V - 1.48" Dia Coil
	28480.0000	1	Solenoid Valve Coil, 120V - 1" Dia Coil
	01100.0000	1	Solenoid Valve Coil, 240V
	21181.0000	1	Solenoid Valve Coil, 200V
10	01111.0000	1	Solenoid Valve Repair Kit - 1.48" Dia Coil (Includes Plunger, Seal and Spring)
	01111.0002	1	Solenoid Valve Repair Kit - 1" Dia Coil (Includes Plunger, Spring and O-Ring)
11	01079.0000	1	Solenoid Valve Base - 1.48" Dia Coil (Without Inlet Screen)
	28479.0000	1	Solenoid Valve Base Kit - 1" Dia Coil (Includes O-ring)
12	01116.0000	1	Guide - 1.48" Dia Coil
	28481.0000	1	Guide Kit - 1" Dia Coil (Includes Washer and O-ring)
13	00402.0001	1	Connector, .250" Flare x .125" MPT
14	25134.0000	1	Tube Assy Kit, Bulkhead to Solenoid
15	00463.0000	1	Nut, Hex .438" - 20
16	01532.0000	1	Lockwasher, Internal Tooth .438" I.D.
17	00459.0000	1	Bulkhead Fitting, .250" Flare
18	00310.0002	1	Tube Assy, Flow Control to Bulkhead (Early Models only)
19	37855.0750	1	Strainer/Flow Control Assy (Includes items 20 thru 25) (Early Models only)
20	01154.0000	1	Flow Control Outlet

(Continued)



STRAINER, SOLENOID & LINES

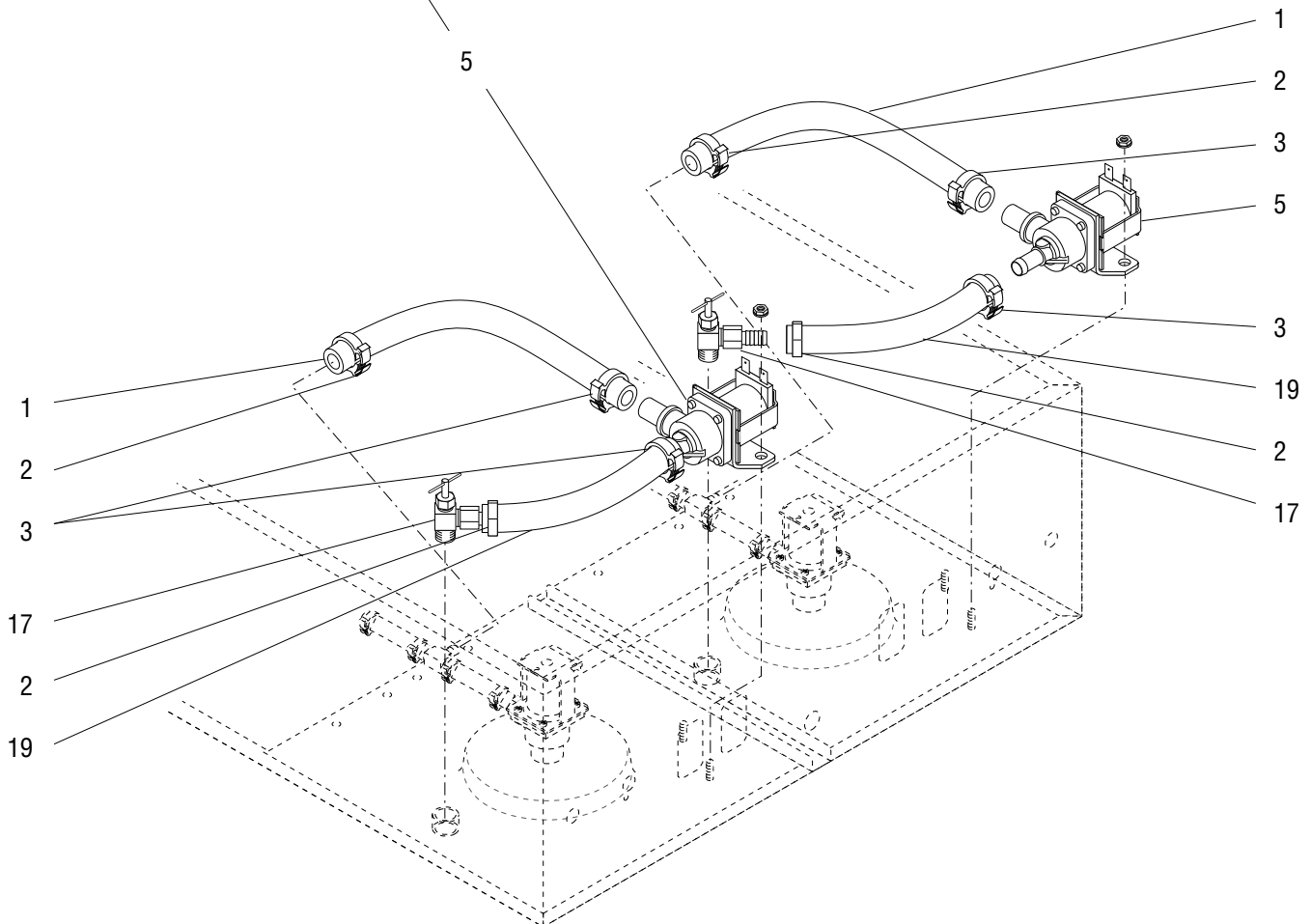
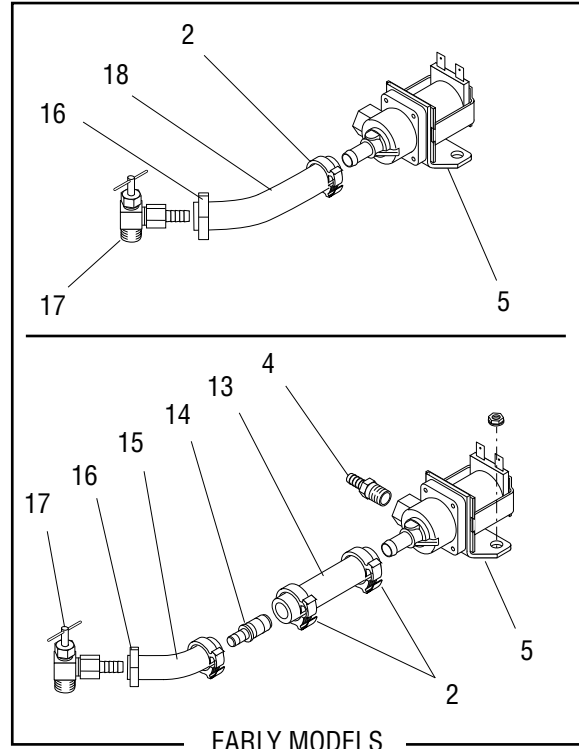
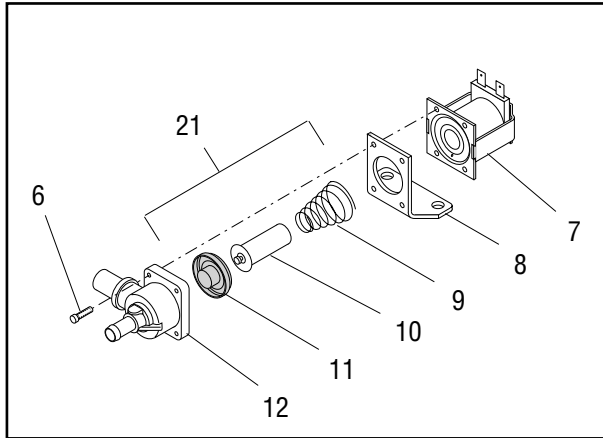
ITEM	PART NO.	QTY.	DESCRIPTION
21	01155.0000	1	Flow Control Gasket
22	20526.1750	1	Flow Washer/Gasket Set, .750 GPM (Includes item 21)
23	-----	1	Body (Not Available order item 19)
24	23721.0000	1	Screen
25	22249.0000	1	End Cap, Water Strainer
26	23820.1000	1	Strainer Assy. (Includes Items 27 thru 29)(Late Models only)
27	-----	1	Body (Not Available order item 26)
28	23721.0000	1	Screen
29	22249.0000	1	End Cap, Water Strainer
30	27083.0000	1	Tube Assy, Strainer to Bulkhead (Late Models only)



INLET VALVE AND LINE

ITEM	PART NO.	QTY.	DESCRIPTION
1	02536.0000	1	Grommet, Fill Tube
2	20937.0000	1	Tube, Tank Fill
3	24684.0000	1	Gasket, .25" FLR
4	40187.0001	1	Adapter, Hose .25" Flare x .375" Barb
5	12422.0005	2	Clamp, Hose .62"/.71" I.D (2 additional on 230V models)
6	20976.0000*	1	Tube, Silicone .375" I.D. x .625" O.D. x 30.0" (Order item 17)
	20976.0036*	1	Tube, Silicone .375" I.D. x .625" O.D. x 36.0" (Order item 17) (230V Models)
7	36233.1000	1	Valve, Water Inlet 110/120V (Refer to item 18)
	36233.0001	1	Valve, Water Inlet 220/240V (Refer to item 18)
	32283.0000	2	Screw, Pan Head M4 x 6MM
8	20976.0017*	1	Tube .375" ID x .625" OD x 2.0" (Order item 17) (230V Models)
9	36378.0001	1	Check Valve (Installed in item 6) (208V, 240V, 120/208V, 120/240V Models)
	40071.0001	1	Check Valve, .38" Barb (230V Models)
10	37297.0006	1	Elbow, .25" FLR x .75" FTFR (Includes item 11)
11	41640.0000	1	Gasket, .75" Hose Fitting
12	00310.0002	1	Tube Assy, SST .25" Flare
13	23820.0000	1	Strainer Assy, Water (Includes items 14, 15 & 16)
14	-----	1	Body (Not Available order item 13)
15	23721.0000	1	Screen
16	22249.0000	1	End Cap, Water Strainer
17	20976.1001	-	Tube .375" ID x .625" OD x 36.0" (Use as required)
	20976.1002	-	Tube .375" ID x .625" OD x 120.0" (Use as required)
18	43644.0000	-	Kit, Valve Rebuild (Not illustrated)

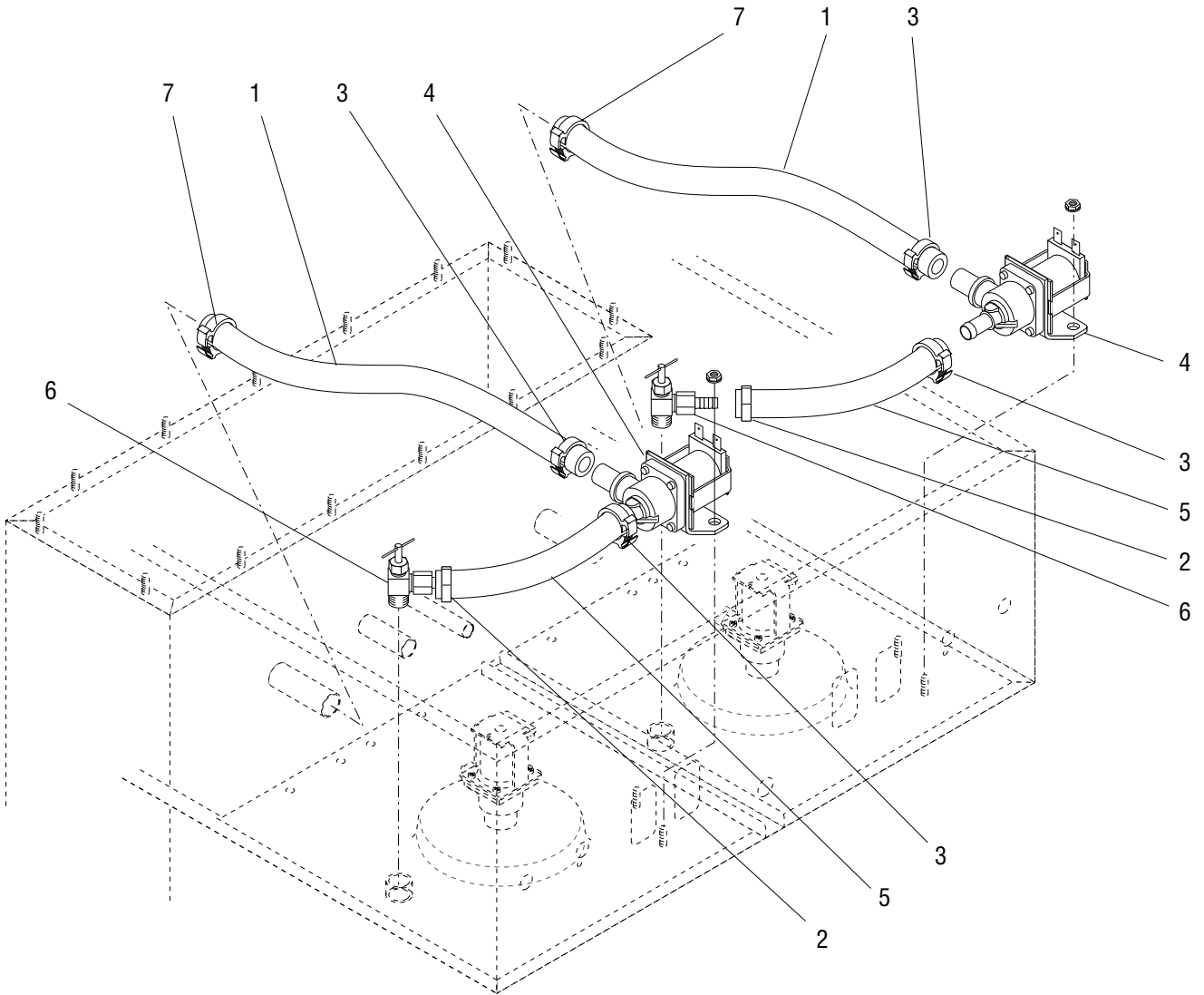
Optional



WATER BY-PASS (Early Model Tank)

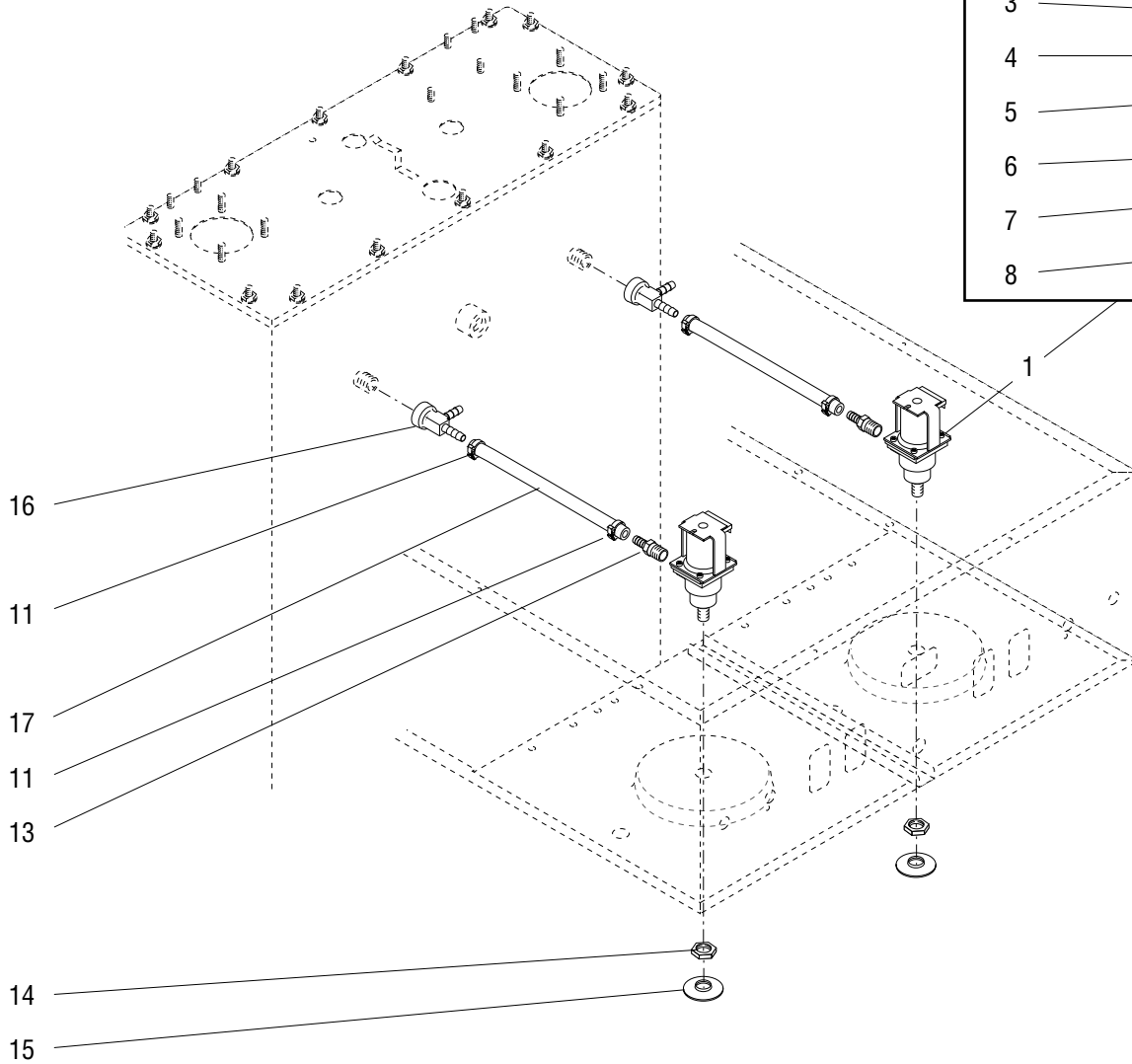
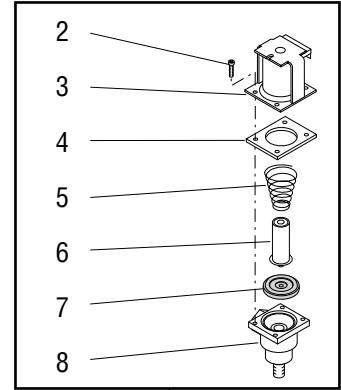
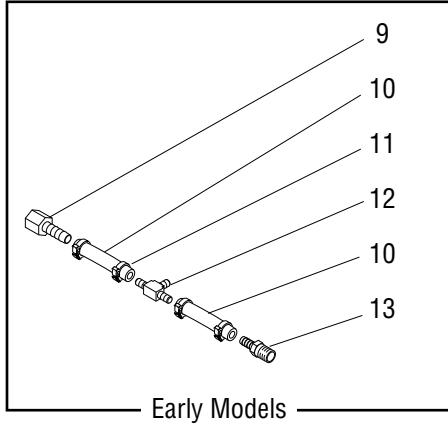
ITEM	PART NO.	QTY.	DESCRIPTION		
1	20976.0005*	2	Tube, Silicone .375" I.D. x .62" O.D. x 7.50" (Order item 21)(Early models only)		
	20976.0001*	2	Tube, Silicone .375" I.D. x .62" O.D. x 9.50" (Order item 21)(Late Models only)		
2	12422.0001	4	Clamp, Hose .59"/.66" I.D. (4 additional required on Early Models)		
3	12422.0005	4	Clamp, Hose .62"/.71" I.D. (Late Models only)		
4	21136.0001	2	Fitting, Barb .375" x .25" MPT (Early models only)		
5	-----	2	Valve Assy, By-Pass 120V	} Early models. Not available order late model valve assy	} Includes items 6 thru 12
	-----	2	Valve Assy, By-Pass 200V		
	-----	2	Valve Assy, By-Pass 220/240V	} Late models	
	27370.0000	2	Valve Assy, By-Pass 120V		
	27370.0001	2	Valve Assy, By-Pass 200V		
	27370.0002	2	Valve Assy, By-Pass 220/240V		
	00970.0000	4	Nut, Keps 8 - 32		
6	-----	4	Screw, 8 - 32		
7	22305.0000	1	Coil Assy, By-Pass Valve 120V	} Early models	
	22305.0003	1	Coil Assy, By-Pass Valve 200V		
	22305.0002	1	Coil Assy, By-Pass Valve 220/240V		
	-----	1	Coil Assy, By-Pass Valve 120V	} Late models. Not available order item 5	
	-----	1	Coil Assy, By-Pass Valve 200V		
	-----	1	Coil Assy, By-Pass Valve 220/240V		
8	-----	1	Bracket (Not available order item 5)		
9	-----	1	Spring (Not available order item 22)		
10	-----	1	Plunger (Not available order item 22)		
11	23255.0000	1	Diaphragm		
12	-----	1	Body (Not available order item 5)		
13	20976.0017*	2	Tube, Silicone .375" I.D. x .62" O.D. x 2.0" (Order item 21)	} Early models only. Can use items 2, 3, 17 & 19	
14	27170.0001	2	Reducer Barb .375" x .25"		
15	11707.0024*	2	Tube, Silicone .25" I.D. x .50" O.D. x 2.40" (Order item 20)		
16	12422.0000	4	Clamp, Hose .47"/.54" I.D.		
17	-----	2	Valve Assy, Needle By-Pass .25" Barb (Early models. Use late model valve & item 19)		
	20945.1002	2	Valve Assy, Needle By-Pass .375" Barb (Late models)		
18	11707.0048*	2	Tube, Silicone .25" I.D. x .50" O.D. x 4.0" (Early models. Can use items 2, 3, 17 & 19)		
19	20976.0006*	2	Tube, Silicone .375" I.D. x .62" O.D. x 4.5" (Order item 21) (Late models)		
20	11707.1000	1	Tube, Silicone .25" I.D. x 12.0"	} Not illustrated	
	11707.1001	1	Tube, Silicone .25" I.D. x 36.0"		
	11707.1002	1	Tube, Silicone .25" I.D. x 120.0"		
21	20976.1000	1	Tube, Silicone .375" I.D. x 12.0"		
	20976.1001	1	Tube, Silicone .375" I.D. x 36.0"		
	20976.1002	1	Tube, Silicone .375" I.D. x 120.0"		
22	11517.0008	-	Valve Repair Kit (Includes one each of items 9, 10 & 11)		

* Indicates the part number listed is for reference only. See DESCRIPTION for possible service replacement.



WATER BY-PASS (Late Model Tank)

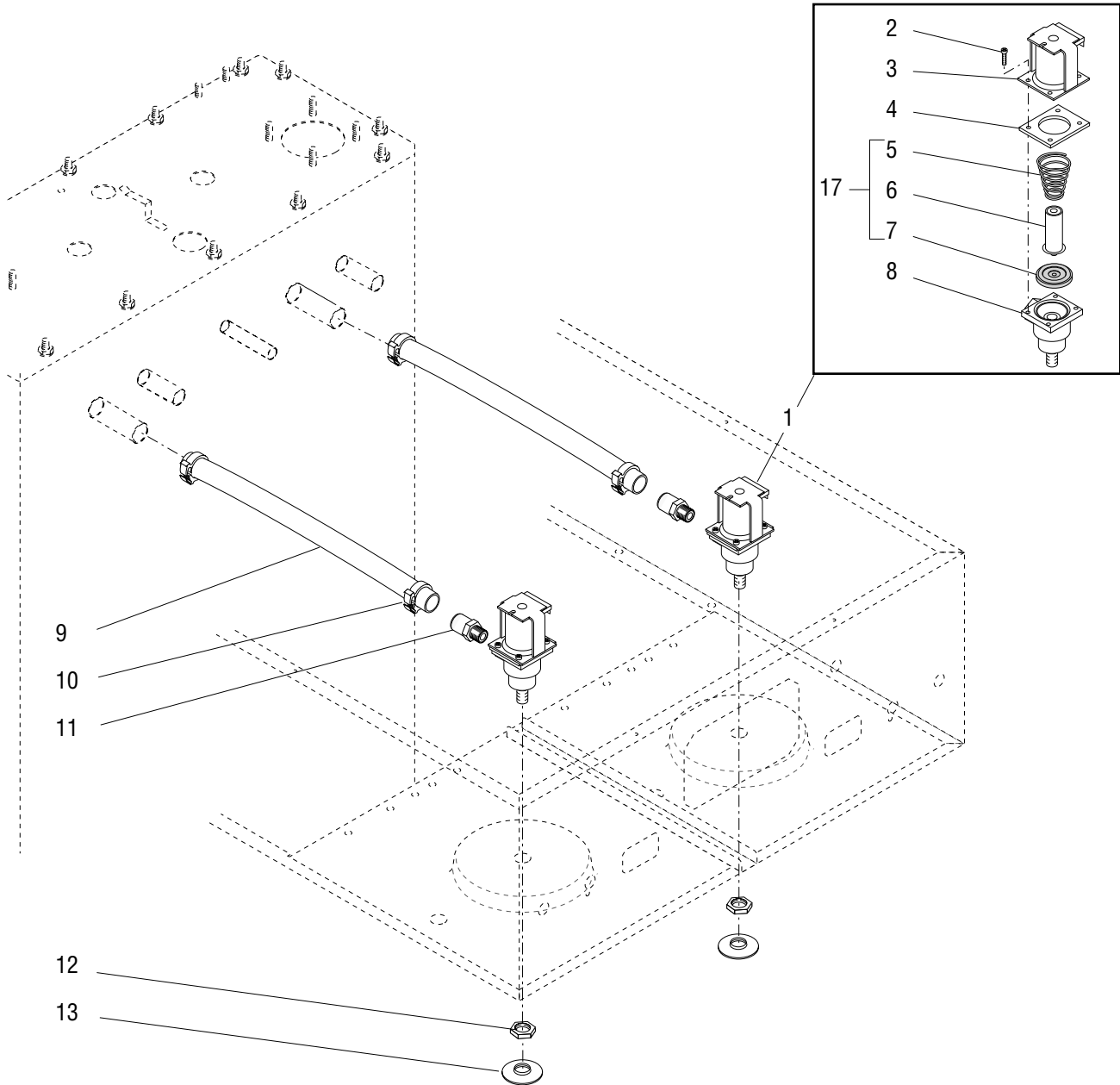
ITEM	PART NO.	QTY.	DESCRIPTION
1	32591.0007*	2	Tube, Silicone .50" I.D. x 8.75" (Order item 9)
2	12422.0001	2	Clamp, Hose .59"/.66" I.D.
3	12422.0005	4	Clamp, Hose .61"/.71" I.D.
4	27370.0000	2	Valve Assy, By-Pass 120V
	27370.0001	2	Valve Assy, By-Pass 200V
	27370.0002	2	Valve Assy, By-Pass 230V
	00970.0000	4	Nut, Keps #8 - 32
5	20976.0006*	2	Tube, Silicone .375" I.D. x .62" O.D. x 4.5" (Order item 8)
6	20945.1002	2	Valve Assy, Needle By-Pass
7	12422.0009	2	Clamp, Hose .71"/.80" I.D.
8	20976.1000	1	Tube, Silicone .375" I.D. x 12.0"
	20976.1001	1	Tube, Silicone .375" I.D. x 36.0"
	20976.1002	1	Tube, Silicone .375" I.D. x 120.0"
9	32591.1002	-	Tube, Silicone .50" I.D. x 36.0"



DISPENSE VALVE & SPRAYHEAD (Early Model Tank)

ITEM	PART NO.	QTY.	DESCRIPTION	
1	26846.0000	2	Valve Assy, Sprayhead 120V	} Includes items 2 thru 8
	26846.0001	2	Valve Assy, Sprayhead 200V	
	26846.0002	2	Valve Assy, Sprayhead 220/240V	
2	23254.0000	4	Screw, 8 - 32	
3	22305.0000	1	Coil Assy, Dispensing Valve 120V	
	22305.0003	1	Coil Assy, Dispensing Valve 200V	
	22305.0002	1	Coil Assy, Dispensing Valve 220/240V	
4	23256.0000	1	Spacer Plate	
5	-----	1	Spring (Not available order item 19)	
6	-----	1	Plunger (Not available order item 19)	
7	23255.0000	1	Diaphragm	
8	-----	1	Body (Not available order item 1)	
9	26809.0001	2	Fitting, .38" Barb x .38" FPT (Early Models)	
10	20976.0009*	4	Tube, Silicone .38" I.D. x .62" O.D. x 2.25" (Order item 18) (Early Models)	
11	12422.0001	8	Clamp, Hose .59"/.66" I. D.	
12	06866.0000	2	Fitting, Tee .38" Barb (Early Models)	
13	21136.0001	2	Fitting, Barb .375" x .25" MPT	
14	01075.0000	2	Nut, Hex .438" - 20	
15	01082.0002	2	Sprayhead, 6 - Hole	
16	26924.0000	2	Tee, Run .25"FPT x .38" x .38" Barb (Late Models)	
17	20976.0038*	2	Tube, Silicone .38" I.D. x .62" O.D. x 5.25" (Order item 18)(Late Models)	
18	20976.1000	1	Tube, Silicone .375" I.D. x 12.0"	} Not illustrated
	20976.1001	1	Tube, Silicone .375" I.D. x 36.0"	
	20976.1002	1	Tube, Silicone .375" I.D. x 120.0"	
19	11517.0008	-	Valve Repair Kit (Includes one each of items 5, 6 & 7)	

* Indicates the part number listed is for reference only. See DESCRIPTION for possible service replacement.



DISPENSE VALVE & SPRAYHEAD (Late Model Tank)

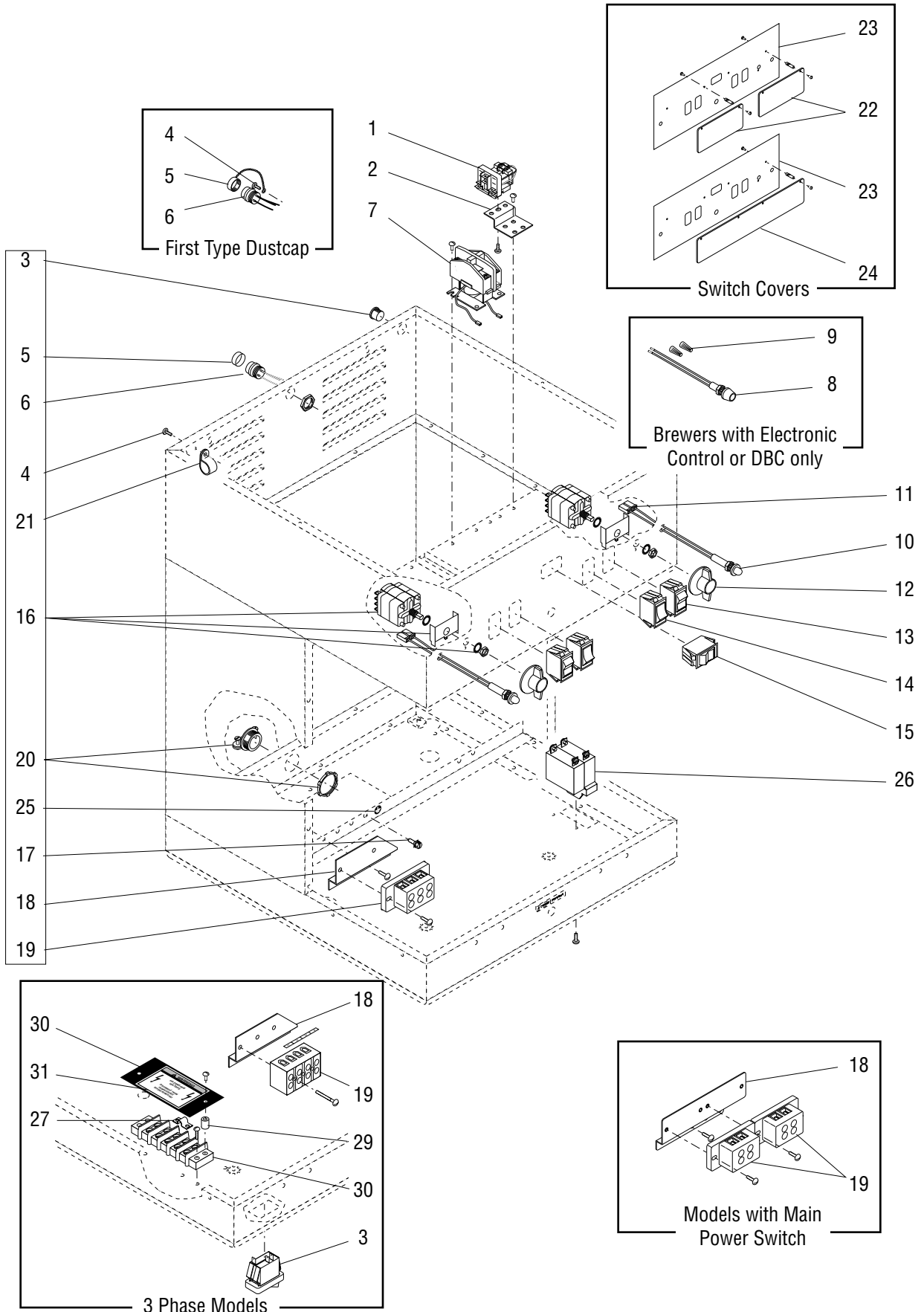
ITEM	PART NO.	QTY.	DESCRIPTION
1	26846.0000	2	Valve Assy, Sprayhead 120V (Includes items 2 thru 8)
	26846.0001	2	Valve Assy, Sprayhead 200V (Includes items 2 thru 8)
	26846.0002	2	Valve Assy, Sprayhead 240V (Includes items 2 thru 8)
2	23254.0000	4	Screw, #8 - 32
3	22305.0000	1	Coil Assy, Dispensing Valve 120V
	22305.0003	1	Coil Assy, Dispensing Valve 200V
	22305.0002	1	Coil Assy, Dispensing Valve 240V
4	23256.0000	1	Spacer Plate
5	-----	1	Spring (Not available order item 15)
6	-----	1	Plunger (Not available order item 15)
7	23255.0000	1	Diaphragm
8	-----	1	Body (Not available order item 1)
9	35052.0001*	2	Tube, Silicone .75" I.D. x 6.75" (Order item 14)
10	12422.0008	4	Clamp, Hose .93"/1.1" I.D.
11	34956.0001	2	Fitting, .25" NPTF .281" I.D.
12	01075.0000	2	Nut, Hex .438" - 20
13	01082.0002	2	Sprayhead, 6 Hole
14	35052.1000	1	Tube, Silicone .75" I.D. x 12.0"
15	11517.0008	-	Valve Repair Kit (Includes one each of items 5, 6 & 7)

* Indicates the part number listed is for reference only. See DESCRIPTION for possible service replacement.

FAUCET - UPPER AND LOWER

ITEM	PART NO.	QTY.	DESCRIPTION
1	02596.1005	1	Faucet Assy (Includes items 2 thru 8) (Early models)
	29075.0000	1	Faucet Assy (Includes items 2 thru 8) (Late models)
2	02861.0003	1	Handle, Faucet "Warning Hot Water"
3	02854.0000	1	Bonnet, Faucet
4	02595.0000	1	Spring, Faucet
5	02766.0000	1	Seat Cup, Faucet
6	02856.0002	1	Body, Faucet
7	13054.0000	1	Stem, Faucet
8	02858.0000	1	Pin, Spring .125" Dia. x .50"
9	02594.0000	1	Faucet Stem W/Pin (Includes items 7 & 8)
10	02850.0000	1	Jam Nut, Faucet (Early models)
11	27574.0000	1	Washer, Sealing (Early models)
12	12437.0000	1	Adapter, Barb (Early models)
13	20976.0003*	1	Tube, Silicone .38" I.D. x 10.50" (Order item 20) (Early model Tank)
	20976.0073*	1	Tube, Silicone .38" I.D. x 11.50" (Order item 20) (Late model Tank)
14	12422.0001	2	Clamp, Hose .59" x .66" I.D.
15	21136.0001	1	Fitting, Barb .375" x .25" MPT (Early model Tank only)
16	20202.1601	1	Elbow, 90° .375" Barb x .25" MPT (Early model Tank only)
17	20976.0036*	1	Tube, Silicone .38" I.D. x 38.0" (Order item 20) (Early model Tank)
	20976.0066*	1	Tube, Silicone .38" I.D. x 48.0" (Order item 20) (Late model Tank)
18	29264.0000	1	Nut, Faucet Retaining
19	01532.0005	1	Washer, Intl Tooth .50" Lock
20	20976.1000	1	Tube, Silicone .38" I.D. x 12.0"
	20976.1001	1	Tube, Silicone .38" I.D. x 36.0"
	20976.1002	1	Tube, Silicone .38" I.D. x 120.0"
21	28706.0002	-	Faucet Kit (Includes items 2,4,5,7 & 8)
22	M2517.0000	-	Sealant, Pipe 6 ml

} Not Illustrated

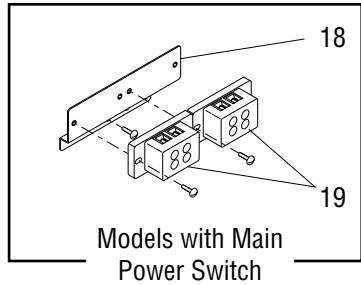
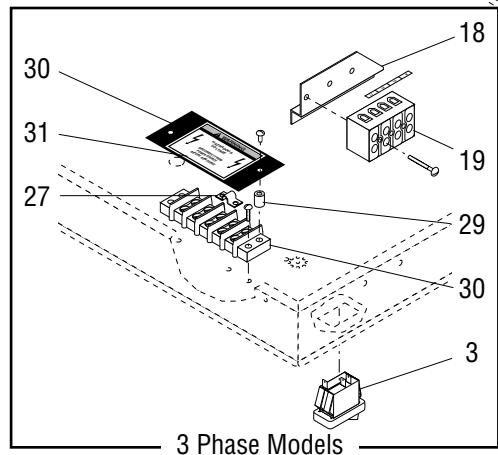
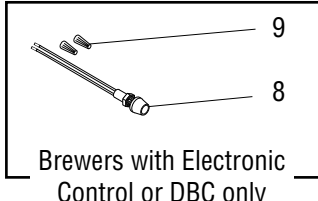
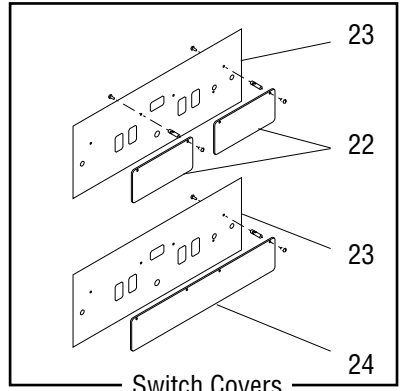
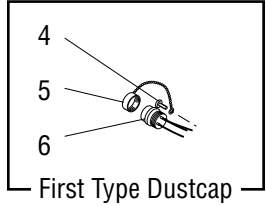
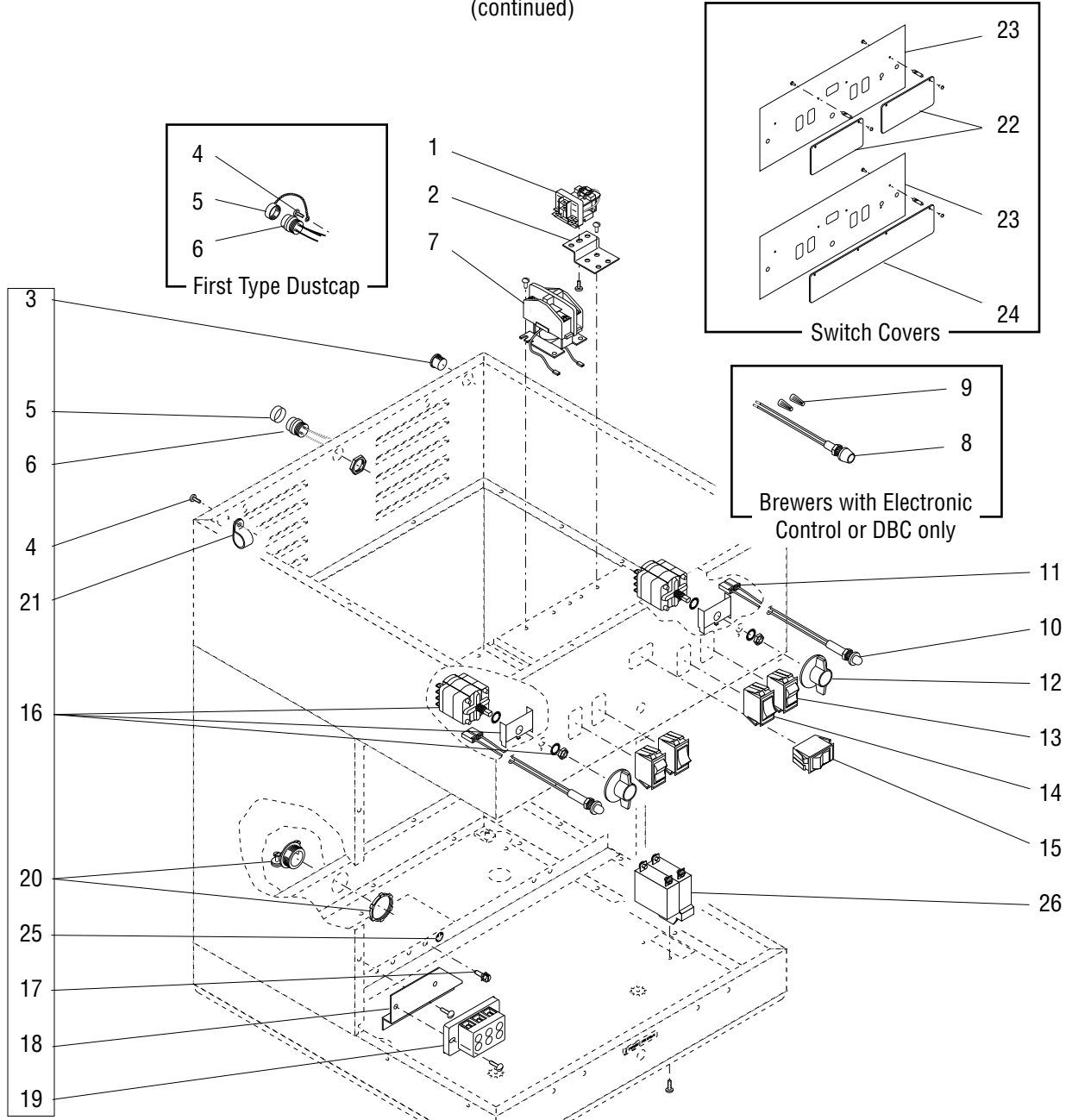


ELECTRICAL CONTROLS AND READY LIGHT

ITEM	PART NO.	QTY.	DESCRIPTION	
1	02618.1000	-	Relay, 120V	} Used with Recovery Booster only - One each with Electronic Control - Two each with Mech. Thermostat
	02806.0000	-	Relay, 240V	
	22089.0000*	-	Relay, 200V	
	01347.0000	-	Screw, Truss Head 6 - 32 x .375"	
2	20201.4300	-	Bracket, Relay	
3	00669.0000	-	Plug, Hole (Use as required) (1 used on late models without Interface)	
4	01382.0003	3	Screw, Truss Head 6 - 32 x .375"	} 2 less required on late models
	00973.0000	3	Nut, Keps 6 - 32	
	01382.0002	1	Screw, Truss Head BLK 6 - 32 x .375"	
5	-----	1	Dustcap W/Chain (First type. Not available order second type Dustcap)	} Two used with two Grinder Interface Models
	27657.0000	1	Dustcap, Socket (Second type)	
6	12274.0002	1	Socket Assy W/Leads, Interface	
7	06335.1000	1	Contactor Assy, 120V Coil	} Used With Mechanical Thermostat & Electronic Control W/Recovery Booster
	06335.1002	1	Contactor Assy, 200/240V Coil	
	01327.0000	2	Screw, Pan Head 10 - 32 x .375"	
8	12517.0002	1	Ready Light Replacement Kit (Includes item 9)	} Brewers with Electronic Control or DBC only
	00764.0000	1	Plug, Hole .375" (Not Illustrated)	
9	01570.0000	2	Wire Nut, 2 - 24 AWG	
10	47575.1000	2	Kit, Light Assy 120V (Includes 2 of item 11)	} Brewers with Mechanical Thermostat only
	47575.1001	2	Kit, Light Assy 240V (Includes 2 of item 11)	
11	04243.0000	4	Terminal Housing, Receptacle	
12	12246.0000	2	Knob, Rotary Switch (Includes Setscrew Indented Below)	
	02338.0000	2	Setscrew, Locking 8 - 32 x .25"	
13	02753.0000	2	Switch, On/Off 120V	
	02754.0000	2	Switch, On/Off 240V	
	28305.0000	2	Switch, On/Off 230V (3 used on 3 Phase Models)	
14	02628.0000	2	Switch, Momentary - Start	
	28303.0001	2	Switch, Momentary - Start (230V)	
15	05789.0000	1	Switch, Selector (One Grinder Interface Models only)	
	28304.0000	1	Switch, Selector (230V)	
16	20969.0001*	2	Switch Assy, Rotary (120/208 & 120/240V models prior to 09/29/06) (Not available. Order 39053.1001)	
	28302.1000	2	Switch Assy, Rotary (230V models and all other models after 09/29/06)	
	20969.0004*	2	Switch Assy, Rotary (DBC models) (Not available. Order 39053.1004)	
17	01309.0000	1	Ground Screw W/Terminal Washer 10 - 32 x .50"	
18	23004.0000	1	Bracket, Terminal Block Mounting	
	39248.0000	1	Bracket, Terminal Block Mounting (Models with Main Power Switch)	
	02308.0000	2	Screw, Pan Head 8 - 32 x .375"	

(continued)

(continued)

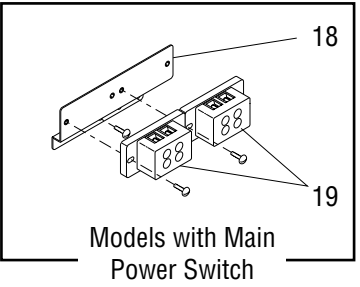
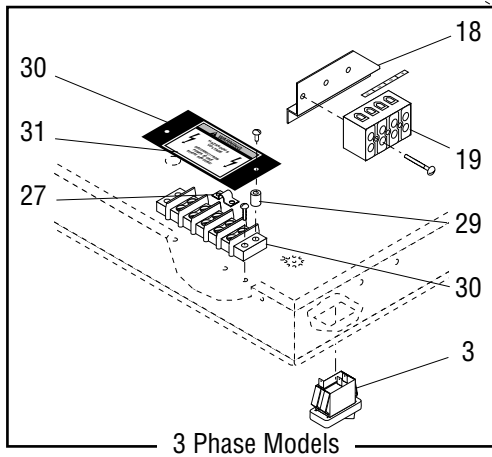
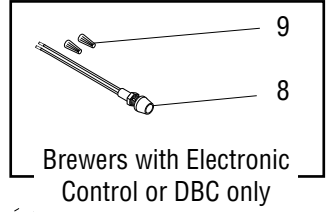
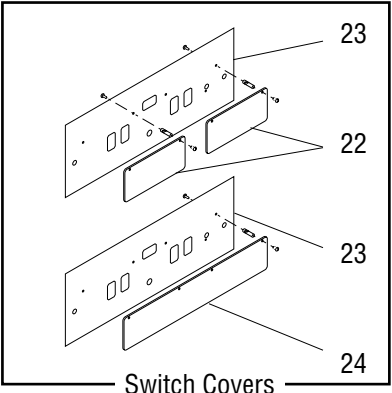
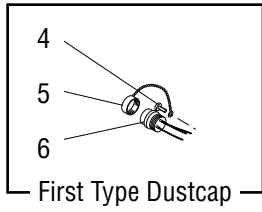
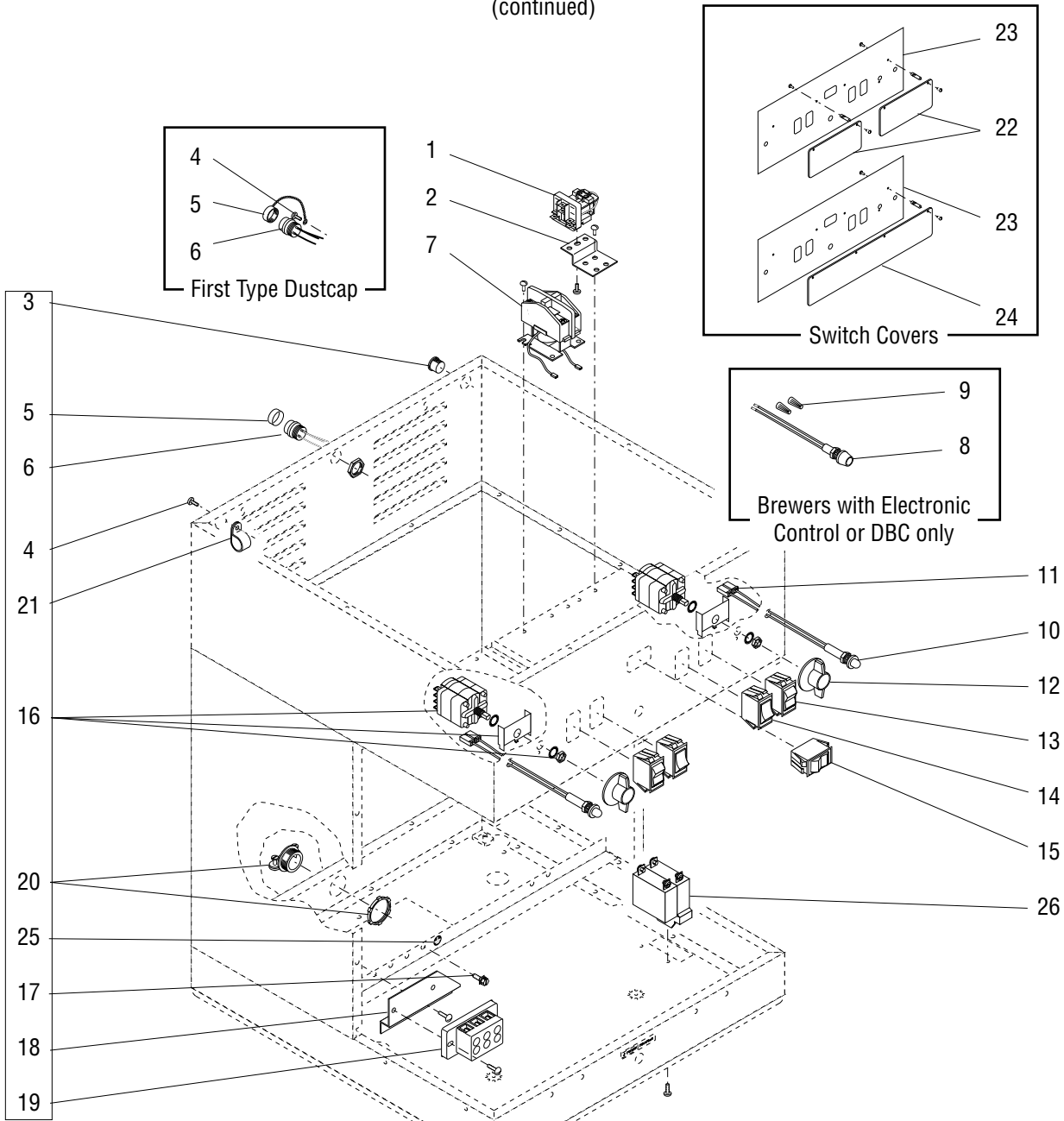


ELECTRICAL CONTROLS AND READY LIGHT

ITEM	PART NO.	QTY.	DESCRIPTION	
19	07038.0000	1	Terminal Block, 3 Pole (RED/WHI/BLK)	
	01106.0000	1	Terminal Block, 2 Pole (WHI/BLK)	
	01106.0001	1	Terminal Block, 2 Pole (RED/BLK)	
	01317.0000	2	Screw, Truss Head #8-32 x .375"	
20	01590.0000	1	Connector, Cable	
21	05920.0000	1	Clamp, Cable .250" I.D.	
22	12146.0001	2	Cover, Switch (Two piece)	
	02323.0002	4	Screw, Truss Head 6 - 32 x .25" (Black)	
23	12148.0001	4	Spacer, Hinged	} See item 56
	01382.0000	4	Screw, Truss Head 6 - 32 x .375"	
	01510.0000	4	Lockwasher, Ext. Tooth #6	
24	12146.0003	2	Cover, Switch (One piece)	
	02323.0002	4	Screw, Truss Head 6 - 32 x .25" (Black)	
25	00824.0002	1	Decal, Ground	
26	38894.0001	1	Switch, Main Power (Not used on all models)	
	01308.0002	2	Screw, Truss Head #6-32 x .25" (Switch Mounting)	
	01327.0000	4	Screw, Pan Head #10-32 x .375"	
	01512.0000	4	Lockwasher, External Tooth #10	
27	38039.0000	1	Jumper	
28	28177.0001	1	Terminal Block, 5 Pole	
	02367.0000	2	Screw, Truss Head #6-32 x .62"	
29	01533.0006	2	Spacer, Nylon .375" OD x .19" ID x .625"	
30	37961.0000	1	Shield, Insulating	
31	12559.0003	1	Decal, Warning "Hazardous Voltage"	
NOTE : The following items are not illustrated				
32	26802.0000	1	Wiring Harness, Main (120/240V Mechanical Thermostat)	} Not used on Brewers equipped with DBC
	26802.0001	1	Wiring Harness, Main (200/240V Mechanical Thermostat)	
	26802.0002*	1	Wiring Harness, Main (120/240V Electronic Control)	
	26802.0003	1	Wiring Harness, Main (200/240V Electronic Control)	
	28877.0001	1	Wiring Harness, Main (240V) (Brewer #20900.0084 only)	
	28877.0002	1	Wiring Harness, Main (240V) (Brewer #20900.0055 only)	
33	25645.0002	1	Wiring Harness, Signal	} Brewers with DBC only
34	25646.0001	1	Wiring Harness, Power	
35	23904.0000	1	Wiring Harness, Interface Switch (One Grinder Interface Models only)	
36	26810.0000	1	Wiring Harness, 1-Set (Models with 1 batch option only)	
37	37859.0005	1	Wiring Harness, Main Power Switch	
38	21012.0006	1	Lead, Elect. Red 30.0" (Contactor to Left Heater)	} Mech. Thermostat only
39	21012.0007	1	Lead, Elect. Red 12.0" (Contactor to Right Heater)	
40	21012.0008	1	Lead, Elect. Blk 20.0" (Contactor to Left Heater)	
41	21012.0009	1	Lead, Elect. Blk 11.0" (Contactor to Right Heater)	

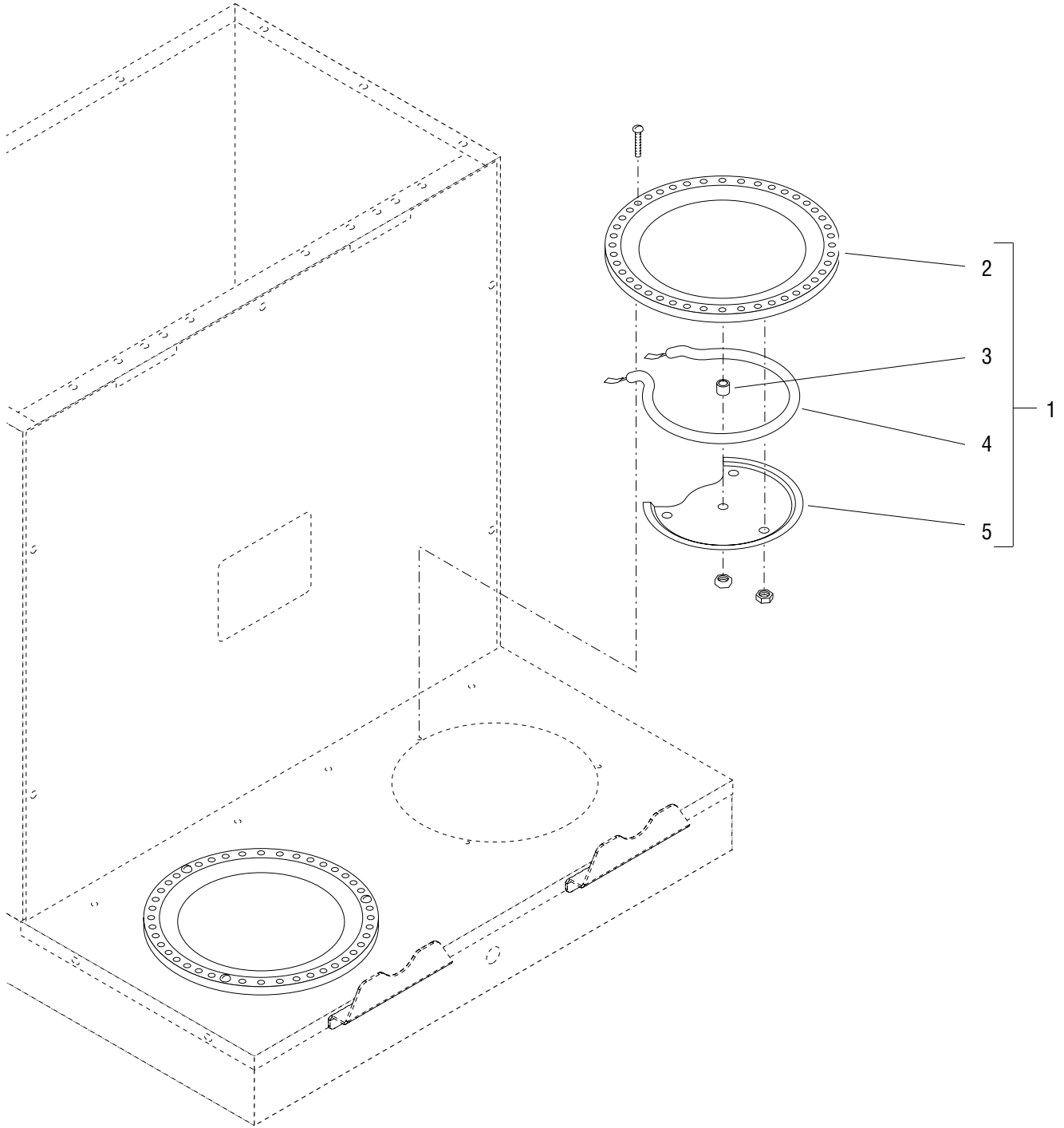
(continued)

(continued)



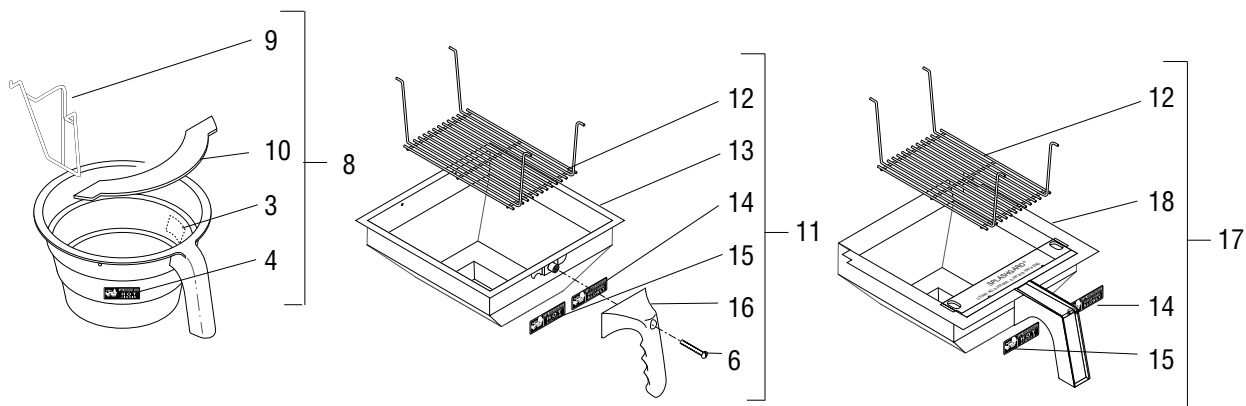
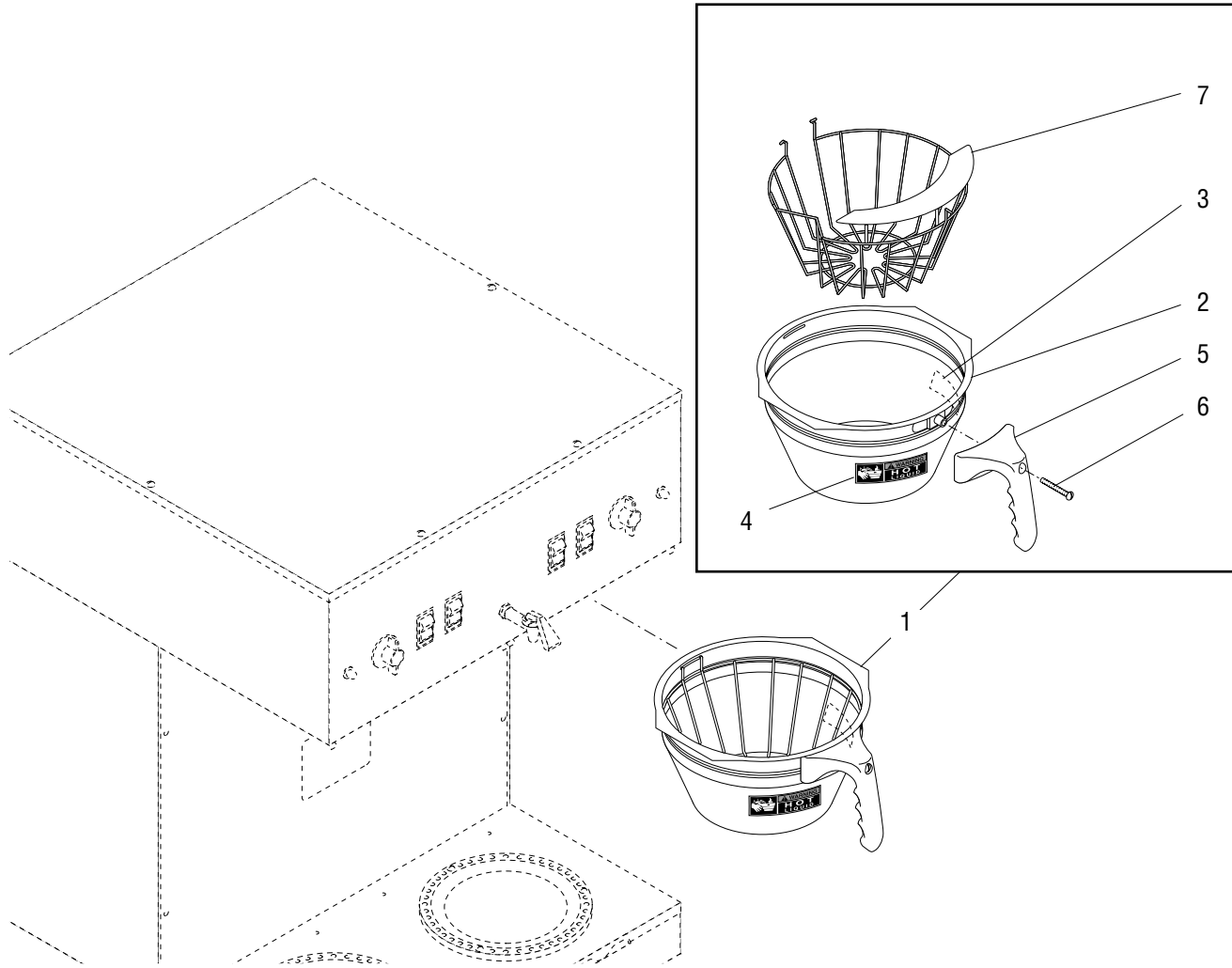
ELECTRICAL CONTROLS AND READY LIGHT

ITEM	PART NO.	QTY.	DESCRIPTION	
42	21012.0029	1	Lead, Elect. Blu 20.0" (Tank Heater to Tank Heater)	} Electronic Control only
43	21012.0031	1	Lead, Elect. Blk 14.5" (Tank Heater to Tank Heater)	
44	21012.0078	1	Lead, Elect. Blk 9.0" (Right Heater to Limit Thermostat)	
45	21005.0351	1	Lead, Elect. Wht/Red 12.0" (Left Disp. Valve to Left Relay)	} Mech. Thermostat & Recovery Booster
46	22042.0000	1	Lead Assy, Elect. Blu 9.0" (Right Relay to Wire Nuts)	
47	22043.0000	1	Lead Assy, Elect. Blk 30.0" (Left Relay to Contactor)	
48	21003.0045	1	Lead, Elect. Red 8.0" (Relay to Relay)	
49	21012.0036	1	Lead, Elect. Blu 18.0" (Contactor to Right Heater)	} Electronic Control & Recovery Booster
50	21012.0037	1	Lead, Elect. Red 30.0" (Terminal Block to Contactor)	
51	21005.0354	1	Lead, Elect. Wht/Red 10.0" (Left Disp. Valve to Relay)	
52	24890.0000	1	Lead, Elect. Gry 6.0" (Relay to Contactor)	} Recovery Booster only
53	21005.0349	1	Lead, Elect. Wht/Grn 10.0" (Relay to Right Disp. Valve)	
54	21005.0350	1	Lead, Elect. Wht/Vio 12.0" (Relay to Right Disp. Valve)	
55	24740.0000	1	Lead, Elect. Wht/Brn 15.0" (Left Disp. Valve to Contactor)	
56	28029.0000	1	Kit, Switch Cover (Includes items 23 & 24)	
57	28318.0000	2	Wiring Harness, Rotary Switch (230V models and all other models after 09/29/06)	
	39053.0004	2	Wiring Harness, Rotary Switch (DBC Models)	



WARMER ASSEMBLIES

ITEM	PART NO.	QTY.	DESCRIPTION
1	03652.0000	2	Warmer Assy, Blk 100W 120V (Includes items 2 thru 5)
	02817.0000	2	Warmer Assy, Blk 100W 220V (Includes items 2 thru 5)
	01303.0000	6	Screw, Pan Head #4 - 40 x .50"
2	03656.0000	1	Warmer Dish, Blk - 45 Hole
3	13042.0001	1	Spacer, .174" I.D. x .188"
4	01227.0000	1	Warmer Element, 100W 120V
	01951.0000	1	Warmer Element, 100W 220V
5	05212.0000	1	Plate, Warmer Retainer
	00970.0000	2	Nut, Keps 8 - 32



OPTIONAL FUNNELS

FUNNELS

ITEM	PART NO.	QTY.	DESCRIPTION
1	20201.1201	2	Funnel Assy, SST (Black Handle) (Includes Items 2 thru 7)
2	24462.0002	1	Funnel W/Decals (Includes items 3 & 4)
3	03408.0004	1	Decal, Warning-Remove Funnel
4	03409.0004	1	Decal, Warning-Hot Liquid
5	20201.1100	1	Handle, Funnel-Black
6	12499.0002	1	Screw, Round Head .25" - 20 x 1.50"
7	----- 33089.0000	1 1	Filter Basket (First Type. Not available, order Second Type) Filter Basket w/Splashgard (Second Type)
8	22735.0000 22735.0002	2 2	Funnel Assy, Plastic-Black (Includes items 3, 4, 9 & 10) Funnel Assy, Plastic-Smoke (Includes items 3, 4, 9 & 10)
9	21911.0000	1	Funnel Adapter, Water By-Pass
10	32965.0000	1	Splashgard
11	29911.0000*	2	Funnel Assy, Pouch Pack (Includes items 6 & 12-16) (Not available order item 17)
12	29916.0000	1	Wire Form Insert
13	29914.0000*	1	Funnel W/Decals (Includes items 14 & 15) (Not available order item 17)
14	03408.0002	1	Decal, Warning-Remove Funnel
15	03409.0002	1	Decal, Warning-Hot Liquid
16	29915.0000	1	Handle, Pouch Pack Funnel
17	35282.0000	1	Funnel Assy, Pouch Pack Plastic (Includes items 12, 14, 15 18 & 19)
18	34439.0000*	1	Funnel, Pouch Pack (Not available order item 17)
19	34438.0000	1	Splashgard, Black Plastic

NUMERICAL INDEX

PART NO.	PAGE NO.	PART NO.	PAGE NO.	PART NO.	PAGE NO.	PART NO.	PAGE NO.
00310.0002.....	27,31	01382.0000.....	19	03633.0000.....	21	12559.0003.....	45
00400.0001.....	27	01382.0002.....	43,45	03652.0000.....	49	12560.1015.....	15,17
00402.0001.....	27	01382.0003.....	5,43	03656.0000.....	49	12561.0000.....	21
00459.0000.....	27	01382.0007.....	5	03803.0000.....	21	12565.0002.....	23
00463.0000.....	27	01382.0003.....	7	03807.0000.....	21	12565.0008.....	23
00502.0000.....	7	01382.0007.....	7	03993.0000.....	7	12568.0003.....	19
00506.0000.....	7	01388.0000.....	11,13,15,17,19	03996.0000.....	7	12570.0000.....	15,17,19
00619.0002.....	15,17	01501.0000.....	21	04243.0000.....	43	12919.0008.....	11,13
00619.0005.....	7	01502.0000.....	27	04314.0007.....	11,13	13042.0001.....	49
00619.0007.....	7	01510.0000.....	11,13,15,17,45	04786.0002.....	15,17	13054.0000.....	41
00619.0008.....	7	01511.0000.....	11,13	04797.0000.....	21	13255.0001.....	9
00620.0000.....	27	01512.0000.....	45	05212.0000.....	49	13255.0002.....	9
00656.0001.....	5	01520.0000.....	23	05789.0000.....	43	20201.5600.....	5,7
00658.0000.....	5	01533.0000.....	11,13,15,17,19	05920.0000.....	45	20201.1100.....	51
00669.0000.....	43	01532.0000.....	27	06335.1000.....	43	20201.1201.....	51
00671.0000.....	7	01532.0005.....	41	06335.1002.....	43	20201.2600.....	25
00720.0000.....	11,13	01533.0006.....	45	06866.0000.....	37	20201.2601.....	25
00764.0000.....	43	01570.0000.....	43	07038.0000.....	45	20201.4300.....	43
00824.0002.....	45	01590.0000.....	45	07073.0000.....	11,13	20201.4301.....	27
00831.0000.....	5	01667.0000.....	19	07074.1026.....	11,13	20201.6001.....	25
00916.0000.....	7	01951.0000.....	49	07074.1028.....	11,13	20202.1601.....	41
00908.0000.....	21,25	01975.0000.....	27	07075.0000.....	19	20203.0100.....	21
00946.0000.....	21	02308.0000.....		07441.0000.....	19	20526.1750.....	29
00950.0000.....	27	5,7,9,11,13,15,17,19,25,27,43		10864.0000.....	5	20762.0000.....	11,13
00970.0000.....	19	02324.0000.....	7	10864.0001.....	5	20878.1006.....	25
00973.0000.....	19	02336.0000.....	5	10864.0003.....	5	20878.1008.....	25
00971.0000.....	21,25	02336.0002.....	5	10864.0005.....	5	20881.0000.....	25
00970.0000.....	33,35,49	02328.0003.....	19,23	10864.0006.....	5	20883.0000.....	25
00973.0000.....	43	02323.0002.....	45	11517.0008.....	33,37,39	20916.0003.....	7
01075.0000.....	37,39	02338.0000.....	43	11591.0000.....	7	20916.0004.....	7
01079.0000.....	27	02367.0000.....	45	11630.0001.....	25	20916.0005.....	7
01085.0000.....	27	02536.0000.....	21,27,31	11707.0024.....	33	20916.0006.....	7
01085.0002.....	27	02594.0000.....	41	11707.0048.....	33	20916.0007.....	7
01085.1006.....	27	02595.0000.....	41	11707.1000.....	33	20916.0009.....	7
01085.1007.....	27	02596.1005.....	41	11707.1001.....	33	20916.0010.....	7
01082.0002.....	37,39	02618.1000.....	43	11707.1002.....	33	20922.1000.....	21
01100.0000.....	27	02628.0000.....	43	12146.0001.....	45	20922.1001.....	21
01101.0000.....	27	02753.0000.....	43	12146.0003.....	45	20922.1002.....	21
01106.0000.....	45	02754.0000.....	43	12148.0001.....	45	20936.1000.....	21
01106.0001.....	45	02766.0000.....	41	12246.0000.....	43	20937.0000.....	27,31
01111.0000.....	27	02806.0000.....	43	12274.0002.....	43	20945.1002.....	33,35
01111.0002.....	27	02817.0000.....	49	12305.1000.....	21	20948.0001.....	11,13,15,17,19
01116.0000.....	27	02850.0000.....	41	12364.0000.....	7	20951.1000.....	25
01154.0000.....	27	02854.0000.....	41	12397.0000.....	21	20966.0000.....	5
01155.0000.....	29	02856.0002.....	41	12398.0002.....	21	20966.0001.....	5
01227.0000.....	49	02858.0000.....	41	12422.0000.....	21,33	20966.0002.....	5
01303.0000.....	49	02861.0003.....	41	12422.0001.....	33,35,37,41	20966.0003.....	5
01308.0002.....	45	03011.0000.....	7	12422.0005.....	31,33,35	20966.0004.....	5
01309.0000.....	43	03236.0013.....	21	12422.0008.....	39	20966.0005.....	5
01311.0000.....	7	03236.1001.....	23	12422.0009.....	25,35	20966.0010.....	5
01317.0000.....	45	03236.1002.....	23	12437.0000.....	41	20969.0001.....	43
01317.0005.....	25	03236.1003.....	23	12499.0002.....	51	20969.0004.....	43
01327.0000.....	27,43,45	03408.0002.....	51	12527.0002.....	21	20976.0000.....	31
01347.0000.....		03408.0004.....	51	12527.0008.....	21	20976.0001.....	33
	9,11,13,15,17,19,43	03409.0002.....	51	12517.0002.....	43	20976.0003.....	41
01347.0002.....	9	03409.0004.....	51	12559.0000.....	15,17	20976.0005.....	33

NUMERICAL INDEX

PART NO.	PAGE NO.	PART NO.	PAGE NO.	PART NO.	PAGE NO.	PART NO.	PAGE NO.
20976.0006.....	33,35	23717.0003.....	21	27170.0001.....	33	37297.0006.....	31
20976.0009.....	37	23721.0000.....	29,31	27370.0000.....	33,35	37524.0000.....	25
20976.0017.....	31,33	23820.0000.....	31	27370.0001.....	33,35	37526.0000.....	25
20976.0036.....	31,41	23820.1000.....	29	27370.0002.....	33,35	37855.0750.....	27
20976.0038.....	37	23904.0000.....	45	27461.0000.....	23	37859.0005.....	45
20976.0066.....	41	24396.0000.....	5	27473.0000.....	21	37881.0000.....	7
20976.0073.....	41	24396.0001.....	5	27574.0000.....	41	37961.0000.....	45
20976.1000.....	31,33,35,37,41	24396.0003.....	5	27657.0000.....	43	38039.0000.....	45
20976.1001.....	31,33,35,37,41	24455.0005.....	7	28029.0000.....	47	38358.1001.....	13
20976.1002.....	31,33,35,37,41	24455.0006.....	7	28177.0001.....	45	38392.0000.....	25
20977.1000.....	27	24458.0000.....	7	28302.1000.....	43	38820.0001.....	9
21003.0045.....	47	24458.0002.....	7	28303.0001.....	43	38894.0001.....	45
21005.0349.....	47	24462.0002.....	51	28304.0000.....	43	39053.0004.....	47
21005.0350.....	47	24684.0000.....	31	28305.0000.....	43	39248.0000.....	43
21005.0351.....	47	24740.0000.....	47	28318.0000.....	47	39803.0000.....	9
21005.0354.....	47	24890.0000.....	47	28377.0000.....	11,13	40071.0001.....	31
21012.0006.....	45	25151.0000.....	5	28479.0000.....	27	40187.0001.....	31
21012.0007.....	45	25134.0000.....	27	28480.0000.....	27	41259.1003.....	21
21012.0008.....	45	25376.0000.....	5	28481.0000.....	27	41266.0000.....	21
21012.0009.....	45	25376.0001.....	5	28706.0002.....	41	41280.0001.....	21
21012.0029.....	47	25376.0002.....	5	28876.0001.....	5	41640.0000.....	31
21012.0031.....	47	25468.0002.....	19	28877.0001.....	45	43644.0000.....	31
21012.0036.....	47	25513.0000.....	19	28877.0002.....	45	47575.1000.....	43
21012.0037.....	47	25645.0002.....	45	29075.0000.....	41	47575.1001.....	43
21012.0078.....	47	25646.0001.....	45	29264.0000.....	41	M2522.1000.....	23
21104.0003.....	9	25648.0000.....	19	29421.0000.....	25	M2517.0000.....	41
21104.0004.....	9	25654.0000.....	19	29911.0000.....	51		
21106.0002.....	7	25662.0001.....	19	29914.0000.....	51		
21122.0000.....	15,17	26263.0000.....	19	29915.0000.....	51		
21136.0001.....	33,37,41	26528.0000.....	7	29916.0000.....	51		
21180.0000.....	27	26622.0001.....	21	32241.0000.....	25		
21181.0000.....	27	26802.0000.....	45	32242.0000.....	25		
21801.0002.....	21	26802.0001.....	45	32242.0002.....	25		
21911.0000.....	51	26802.0002.....	45	32283.0000.....	31		
22042.0000.....	47	26802.0003.....	45	32400.0000.....	11,13,15,17		
22043.0000.....	47	26809.0001.....	37	32400.0001.....	11,13,15,17		
22089.0000.....	43	26810.0000.....	45	32400.0002.....	11,13,15,17		
22249.0000.....	29,31	26826.0000.....	25	32400.0003.....	11,13,15,17		
22306.0001.....	9	26846.0000.....	37,39	32540.0000.....	7		
22313.0000.....	5	26846.0001.....	37,39	32591.0007.....	35		
22313.0001.....	5	26846.0002.....	37,39	32591.0011.....	25		
22313.0002.....	5	26916.0000.....	7	32591.1002.....	25,35		
22313.0003.....	5	26916.0001.....	7	32965.0000.....	51		
22313.0004.....	5	26924.0000.....	37	33089.0000.....	51		
22313.0005.....	5	26949.0001.....	7	34438.0000.....	51		
22313.0007.....	5	26971.1000.....	7	34439.0000.....	51		
22305.0000.....	33,37,39	27035.0000.....	19	34948.1000.....	9		
22305.0002.....	33,37,39	27083.0000.....	29	34956.0001.....	39		
22305.0003.....	33,37,39	27044.0000.....	5	35052.0001.....	39		
22728.0000.....	21	27044.0001.....	5	35052.1000.....	39		
22735.0000.....	51	27044.0002.....	5	35086.0000.....	25		
22735.0002.....	51	27044.0003.....	5	35282.0000.....	51		
23004.0000.....	43	27044.0004.....	5	35439.1000.....	25		
23254.0000.....	37,39	27044.0006.....	5	36233.0001.....	31		
23255.0000.....	33,37,39	27044.0007.....	5	36233.1000.....	31		
23256.0000.....	37,39	27150.0000.....	7	36378.0001.....	31		