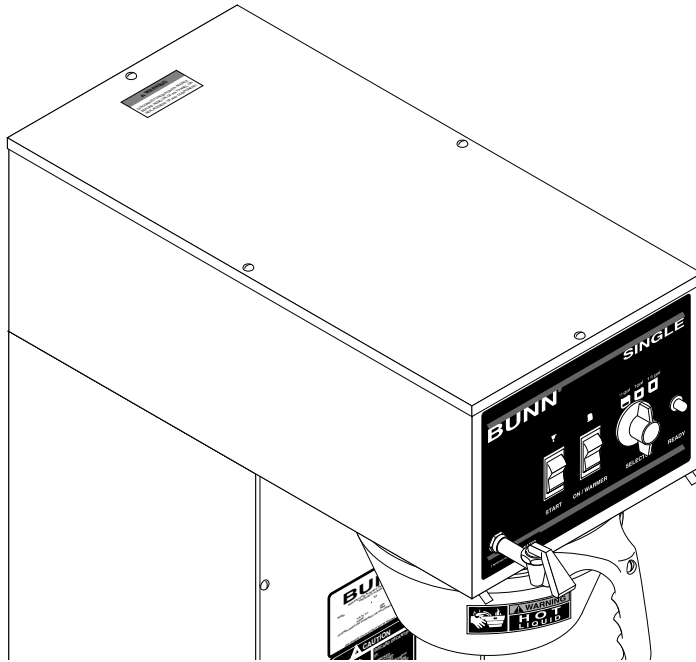
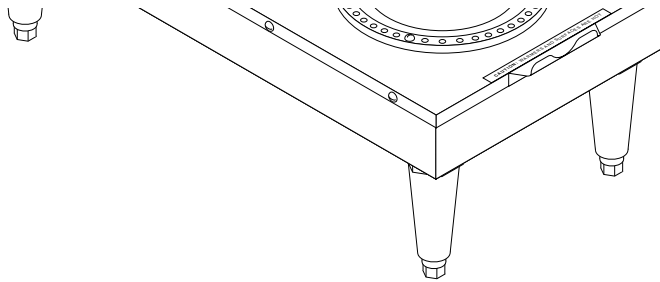


BUNN®

SINGLE™ *(BRASS DECOR)*



DISCONTINUED VERSION
Parts listed in this catalog
may no longer be available.



ILLUSTRATED PARTS CATALOG

Designs, materials, weights, specifications, and dimensions for equipment or replacement parts are subject to change without notice.

BUNN-O-MATIC CORPORATION

POST OFFICE BOX 3227

SPRINGFIELD, ILLINOIS 62708-3227

PHONE: (217) 529-6601 FAX: (217) 529-6644

WARRANTY

Bunn-O-Matic Corp. ("Bunn") warrants the equipment manufactured by it to be commercially free from defects in material and workmanship existing at the time of manufacture and appearing within one year from the date of installation. In addition:

1.) Bunn warrants electronic circuit and/or control boards to be commercially free from defects in material and workmanship for three years from the date of installation.

2.) Bunn warrants the compressor on refrigeration equipment to be commercially free from defects in material and workmanship for two years from the date of installation.

3.) Bunn warrants that the grinding burrs on coffee grinding equipment will grind coffee to meet original factory screen sieve analysis for three years from date of installation or for 30,000 pounds of coffee, whichever comes first.

This warranty does not apply to any equipment, component or part that was not manufactured by Bunn or that, in Bunn's judgement, has been affected by misuse, neglect, alteration, improper installation or operation, improper maintenance or repair, damage or casualty.

THE FOREGOING WARRANTY IS EXCLUSIVE AND IS IN LIEU OF ANY OTHER WARRANTY, WRITTEN OR ORAL, EXPRESS OR IMPLIED, INCLUDING, BUT NOT LIMITED TO, ANY IMPLIED WARRANTY OF EITHER MERCHANTABILITY OR FITNESS FOR A PARTICULAR PURPOSE. The agents, dealers or employees of Bunn are not authorized to make modifications to this warranty or to make additional warranties that are binding on Bunn. Accordingly, statements by such individuals, whether oral or written, do not constitute warranties and should not be relied upon.

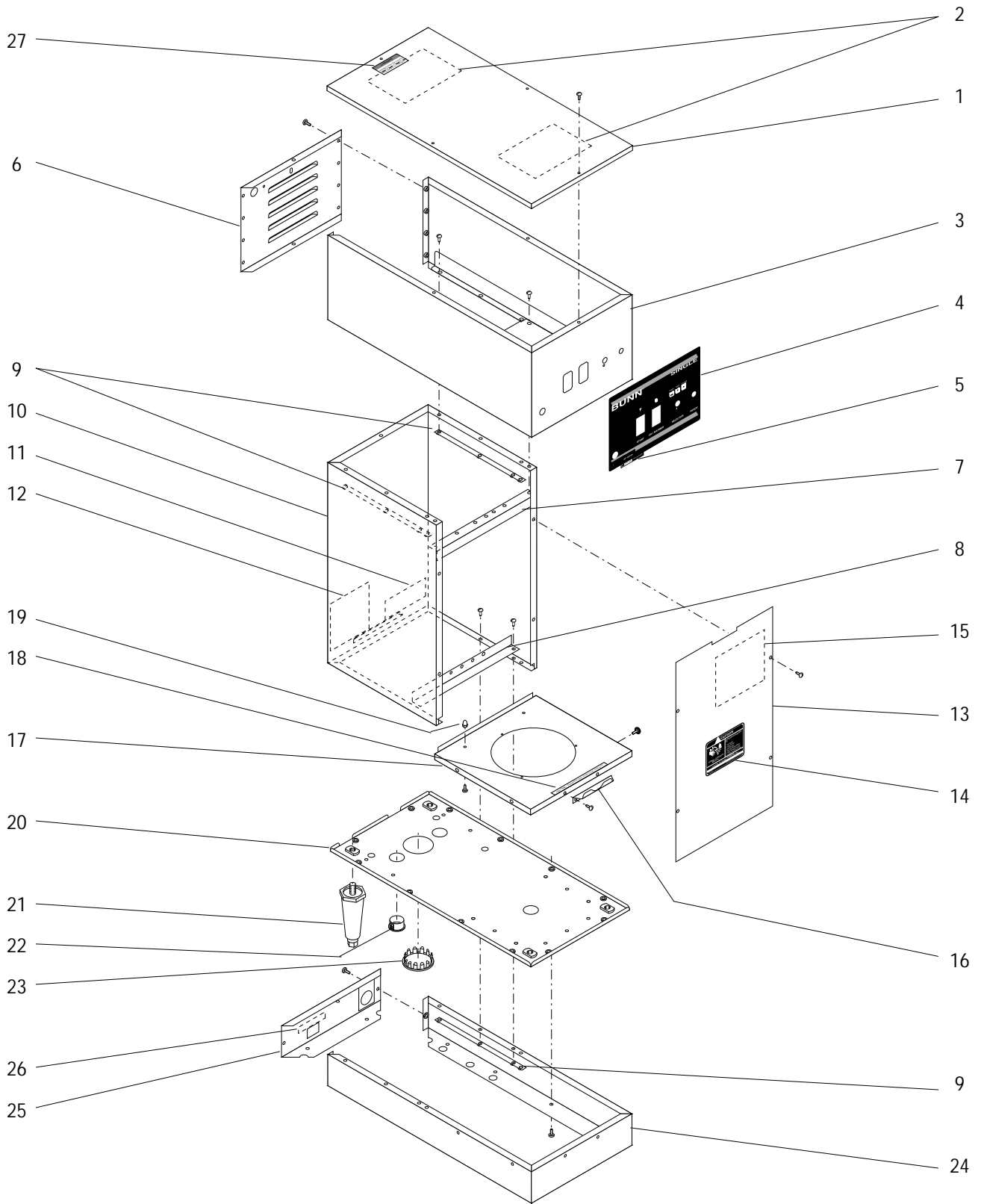
The Buyer shall give Bunn prompt notice of any claim to be made under this warranty by telephone at (217) 529-6601 or by writing to Post Office Box 3227, Springfield, Illinois, 62708-3227. If requested by Bunn, the Buyer shall ship the defective equipment prepaid to an authorized Bunn service location. If Bunn determines, in its sole discretion, that the equipment does not conform to the warranty, Bunn shall repair the equipment with no charge for parts during the warranty period and no charge for labor by a Bunn Authorized Service Representative during the warranty period. If Bunn determines that repair is not feasible, Bunn shall, at its sole option, replace the equipment or refund the purchase price for the equipment.

THE BUYER'S REMEDY AGAINST BUNN FOR THE BREACH OF ANY OBLIGATION ARISING OUT OF THE SALE OF THIS EQUIPMENT, WHETHER DERIVED FROM WARRANTY OR OTHERWISE, SHALL BE LIMITED, AS SPECIFIED HEREIN, TO REPAIR OR, AT BUNN'S SOLE OPTION, REPLACEMENT OR REFUND.

In no event shall Bunn be liable for any other damage or loss, including, but not limited to, lost profits, lost sales, loss of use of equipment, claims of Buyer's customers, cost of capital, cost of down time, cost of substitute equipment, facilities or services, or any other special, incidental or consequential damages.

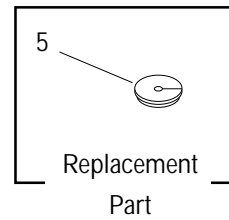
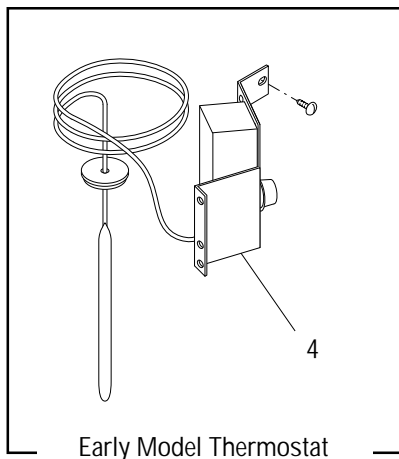
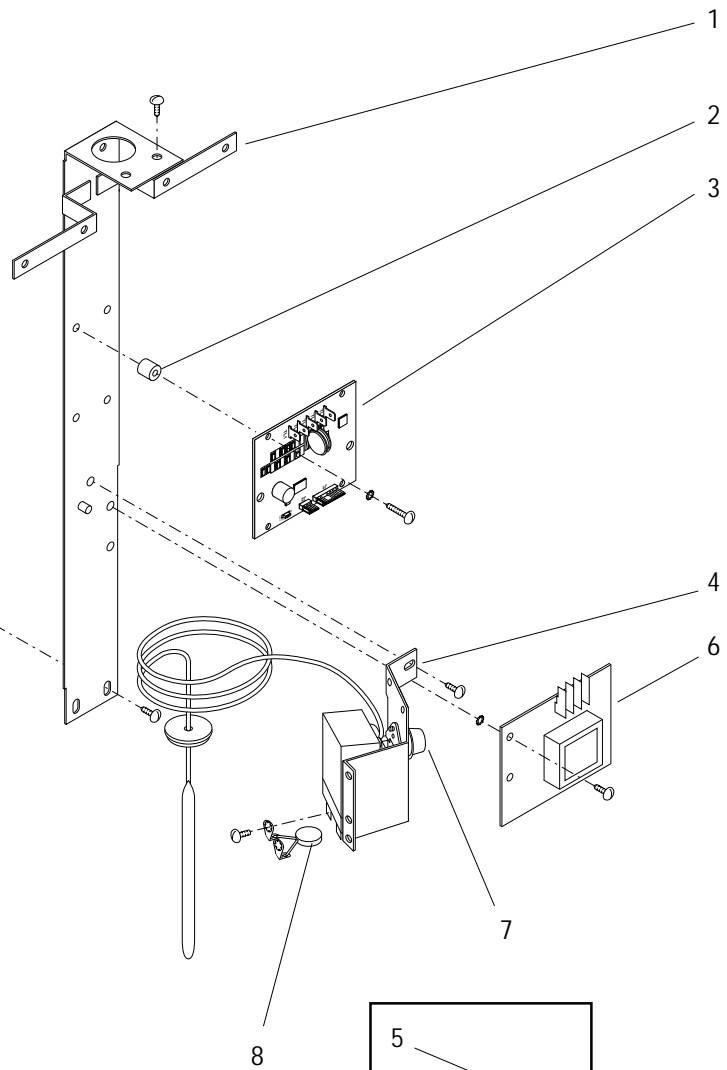
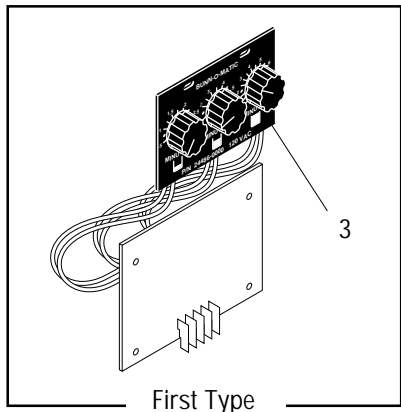
TABLE OF CONTENTS

TITLE	PAGE NO.
Base - Trunk - Hood - Covers & Panels	4
Dispense Valve and Sprayhead	16
Electrical Controls & Ready Light	20
Faucet	18
Funnels	24
Numerical Index	26
Strainer/Flow Control - Solenoid & Lines	12
Tank and Mounting Brackets	10
Tank Heater & Overflow Protection Devices	8
Triple Set Timer & Mechanical Thermostat	6
Warmer Assembly	22
Water By-Pass	14



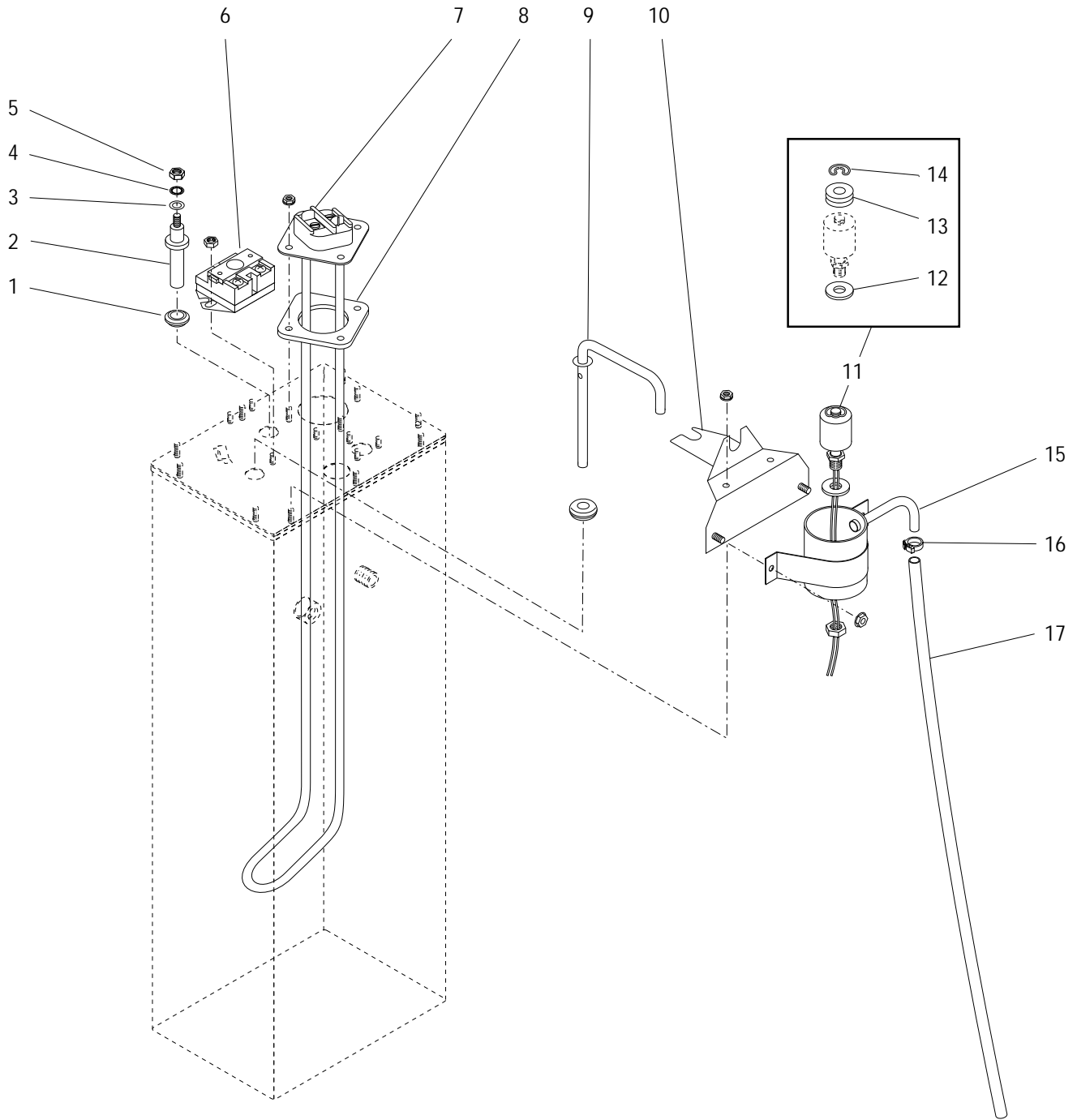
BASE - TRUNK - HOOD - COVERS & PANELS

ITEM	PART NO.	QTY.	DESCRIPTION
1	25619.0000	1	Cover, Top (Includes items 2 & 27)
	01382.0005	4	Screw, Truss Head Brass #6-32 x .375"
2	25151.0000	2	Shield, Insulator
3	25786.0000	1	Hood Assy W/Decals (Includes items 4 & 6)
	02308.0000	7	Screw, Pan Head #8-32 x .375"
4	23024.0002	1	Decal, Control Panel
5	20201.5600	1	Decal, Caution Hot Water (Early Brewers only)
6	25119.0000	1	Panel, Hood Rear
	01315.0003	8	Screw, Truss Head Brass #8-32 x .375"
7	20201.4401	1	Angle, Stiffener Upper
	02308.0000	2	Screw, Pan Head #8-32 x .375"
8	20201.4601	1	Angle, Stiffener Lower
	02308.0000	2	Screw, Pan Head #8-32 x .375"
9	25123.0000	4	Bar, Mounting
10	25785.0000	1	Trunk W/Decals (Includes items 11, 12 & 2 of item 9)
11	00656.0000	1	Decal, Comply to Plumbing Code
12	00831.0000	1	Decal, Warning - Electrical
13	25783.0000	1	Panel W/Decals, Trunk (Includes items 14 & 15)
	01382.0005	4	Screw, Truss Head Brass #6-32 x .375"
14	00658.0000	1	Decal, Caution - Decanter/Funnel
15	26885.0001	1	Schematic (120V & 120/240V)
16	25070.0000	1	Bracket
	01382.0005	2	Screw, Truss Head Brass #6-32 x .375"
17	25787.0000	1	Warmer Panel W/Decal (Includes item 18)
	01382.0005	4	Screw, Truss Head Brass #6-32 x .375"
18	12364.0000	1	Decal, Caution-Warmers Are Hot
19	02324.0002	2	Nut, Acorn #8-32
	01311.0000	2	Screw, Truss Head #8-32 x .25"
20	25106.0000	1	Cover, Bottom
	02308.0000	12	Pan Head #8-32 x .375"
21	03359.0000	4	Leg, Plastic
22	03011.0000	3	Plug, Vent 1.0" Dia.
23	00619.0008	1	Plug, Hole 2.0" Dia.
24	25784.0000	1	Base Assy W/Decals (Includes items 25, 26 & 2 of item 9)
	01382.0000	4	Screw, Truss Head #8-32 x .25"
25	25788.0000	1	Panel Assy W/Decal, Base Rear (Includes items 26)
	01315.0003	2	Screw, Truss Head Brass #8-32 x .375"
26	02822.0000	1	Decal, Auxiliary Outlet
27	10044.0000	1	Warning, "Shut Off Power"



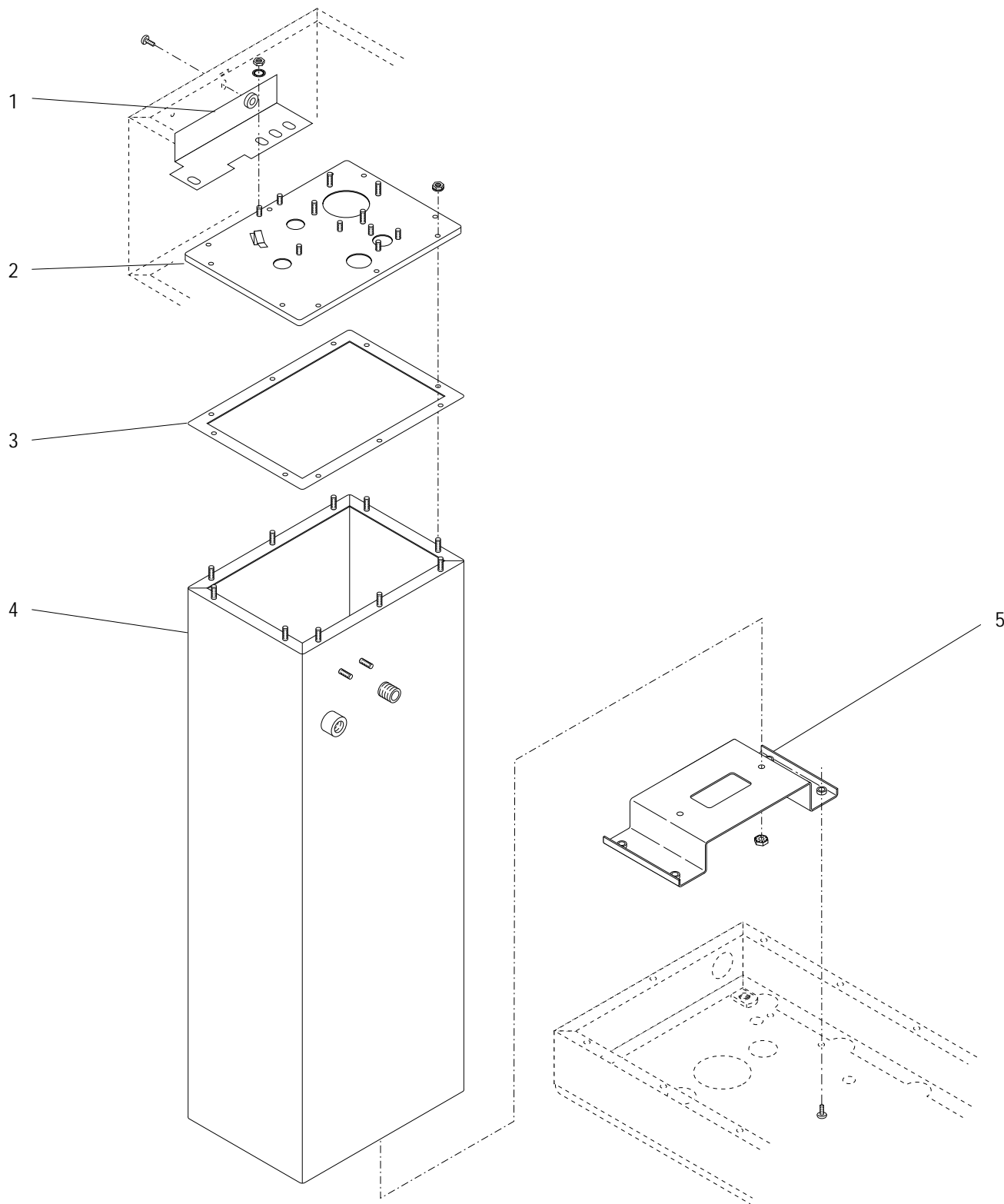
TRIPLE SET TIMER & MECHANICAL THERMOSTAT

ITEM	PART NO.	QTY.	DESCRIPTION
1	20948.0001	1	Bracket, Component Mounting
	02308.0000	4	Screw, Pan Head #8-32 x .375"
2	01533.0000	2	Spacer, Nylon .375"
3	24486.1000	1	Timer, Triple 120V (First Type)
	32400.0002	1	Timer, Digital 120V (Second Type)
	01347.0000	2	Screw, Truss Head #6-32 x .375" (Not used with Digital Timers)
	01510.0000	2	Lockwasher, External Tooth #6
	01388.0000	2	Screw, Truss Head #6-32 x .75"
4	04314.0001	1	Thermostat Kit (Includes item 5,7 & 8)(Late models)(Also replaces early model thermostats)
	02308.0000	1	Screw, Pan Head #8-32 x .375"
5	07073.0000	1	Grommet, Thermostat
6	07074.1026	1	Control Board, Level (120V)
	02308.0000	2	Screw, Pan Head #8-32 x .375"
	01511.0000	2	Lockwasher, External Tooth #8
7	00720.0000	1	Knob, Thermostat
8	28377.0000	1	Noise Suppressor (Not used with Digital Timer)



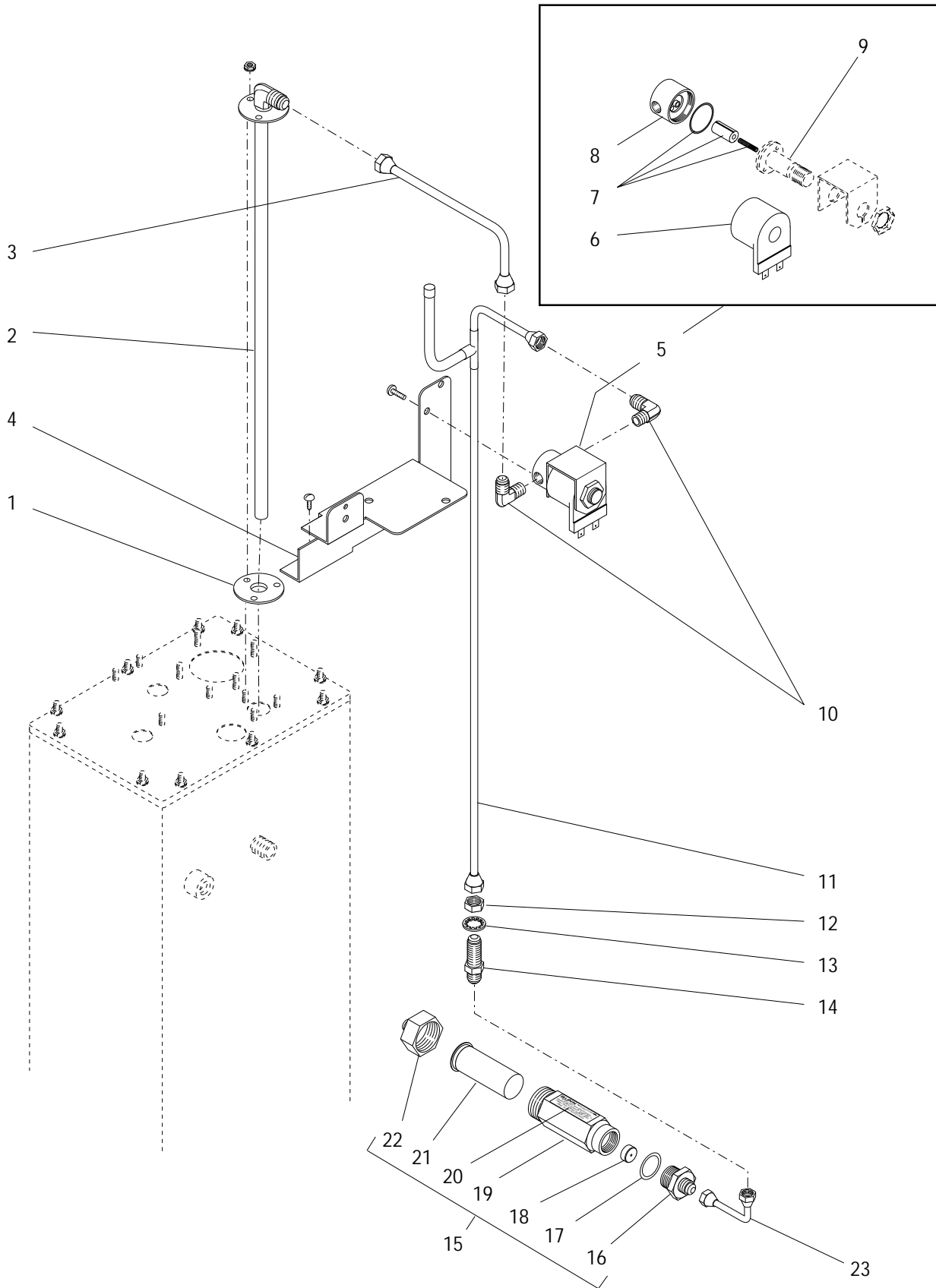
TANK HEATER & OVERFLOW PROTECTION DEVICES

ITEM	PART NO.	QTY.	DESCRIPTION
1	02536.0000	2	Grommet, Probe
2	20936.1000	1	Probe Kit (Includes items 3, 4 & 5)
3	01501.0000	1	Washer .164" I.D. x .375" O.D.
4	20203.0100	1	Lockwasher, Internal Tooth #8
5	00908.0000	1	Nut, Hex #8-32
6	23717.0001	1	Thermostat, Limit
	00932.0000	2	Spacer, Hex #10-32
7	12524.1000	1	Tank Heater, 1800W @ 120V
	20922.1003	1	Tank Heater, 3700W @ 208V
	12322.1000	1	Tank Heater, 4000W @ 240V
	00908.0000	4	Nut, Hex #8-32
8	12398.0002	1	Gasket, Tank Heater
9	26622.0001	1	Tube Assy, Vent
10	26619.0000	1	Bracket, Overflow Cup Mounting
11	03803.0000	1	Switch Assy, Liquid Level (Includes items 12, 13 & 14)
	00946.0000	1	Nut, Hex .125" FPT
12	03633.0000	2	Gasket, Float Switch (Only 1 used in this application)
13	-----	3	Washer, Adjusting (DO NOT USE IN THIS APPLICATION)
14	03807.0000	1	Clip, Spring
15	12552.0000	1	Overflow Cup Assy
	00971.0000	2	Nut, Keps #10-32
16	12422.0000	1	Clamp, Hose .47"/.54" I.D.
17	-----	1	Tube, Silicone .312" I.D. x 21.50" (Order item 18)
18	03236.1001	-	Tube, Silicone .312" I.D. x 36.0" (Not Illustrated)



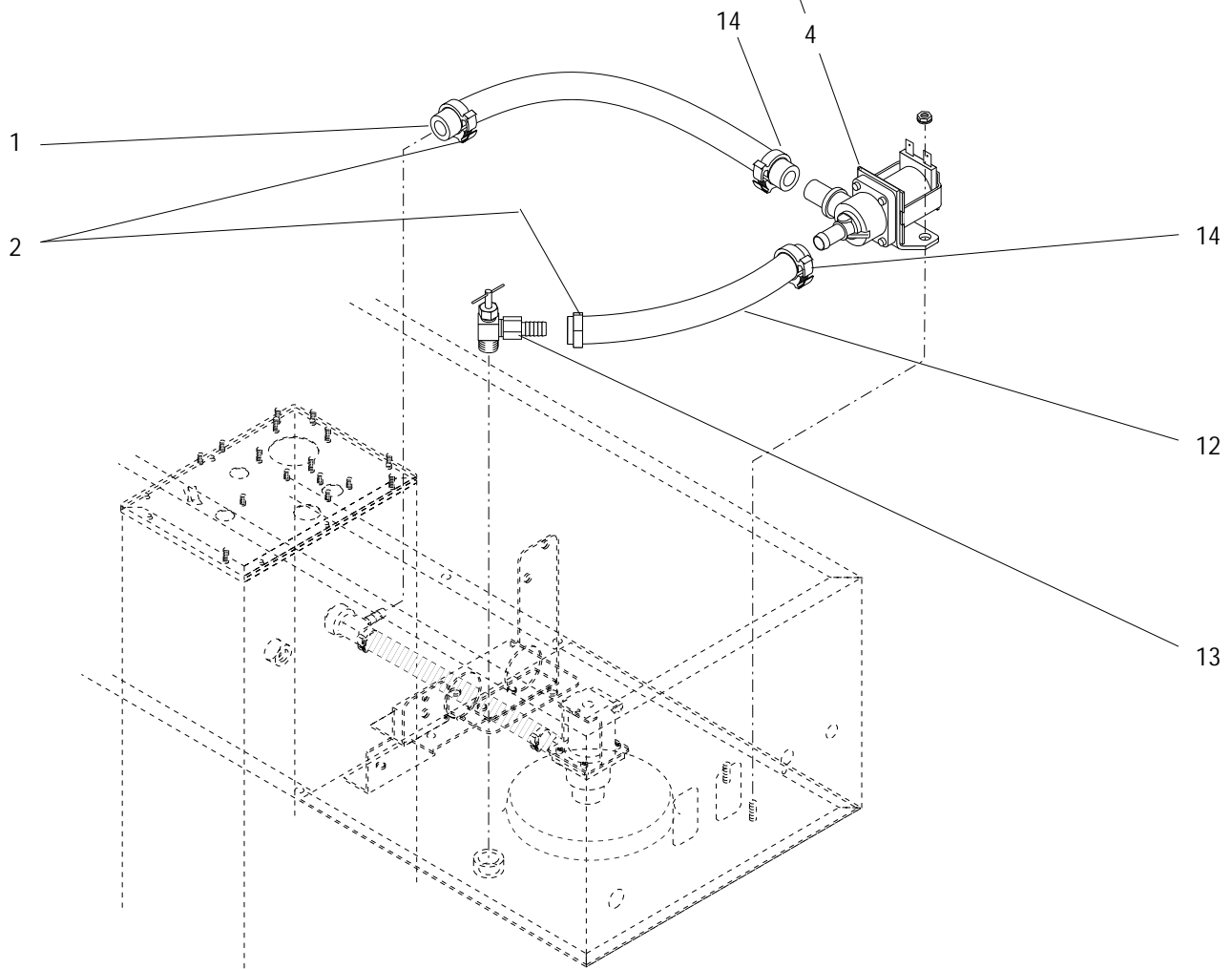
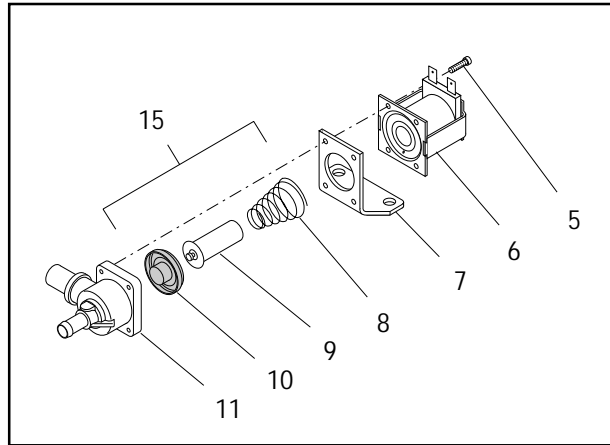
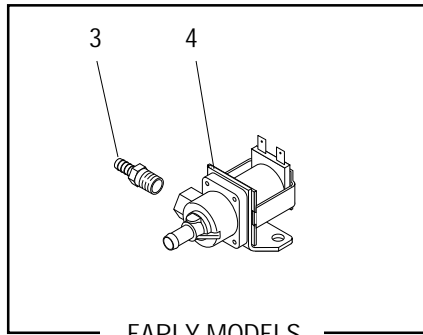
TANK AND MOUNTING BRACKETS

ITEM	PART NO.	QTY.	DESCRIPTION
1	-----	1	Bracket, Tank Support (Top)(Early models)(Order 28909.0000)
	28909.0000	1	Bracket, Tank Support (Top)(Late models)
	01315.0003	1	Screw, Truss Head Brass #8-32 x .375"
	20203.0100	2	Lockwasher, Internal Tooth #8
	00908.0000	2	Nut, Hex #8-32
2	22976.0000	1	Lid, Tank
	00908.0000	10	Nut, Hex #8-32
3	22978.0000	1	Gasket, Tank
4	23324.1000	1	Tank
5	23193.0001	1	Bracket, Tank Mounting (Bottom)
	00971.0000	2	Nut, Keps #10-32
	02308.0000	4	Screw, Pan Head #8-32 x .375"



STRAINER/FLOW CONTROL - SOLENOID AND LINES

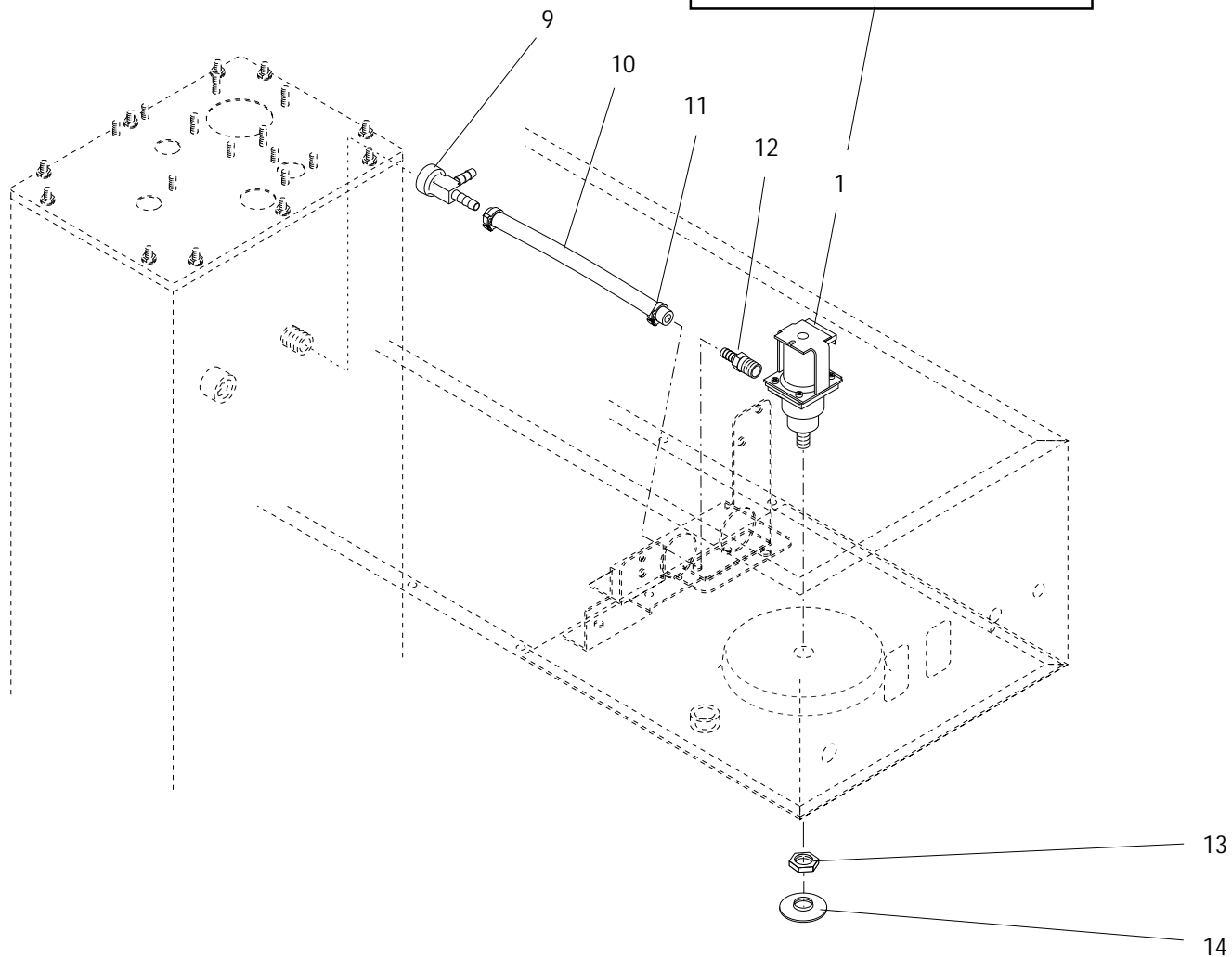
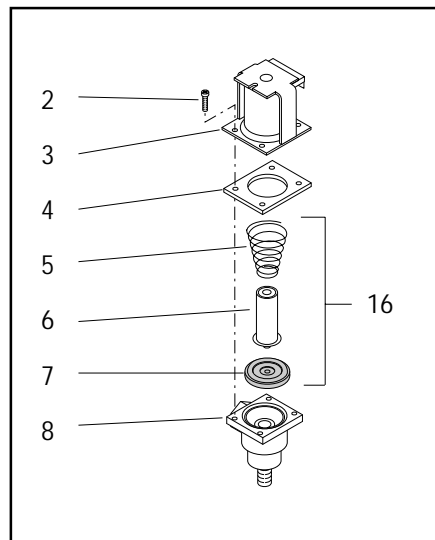
ITEM	PART NO.	QTY.	DESCRIPTION
1	05515.0000	1	Gasket, Sprayhead Tube
2	22992.0001	1	Tube, Tank Fill
	00908.0000	3	Nut, Hex #8-32
3	21812.0007	1	Tube Assy, Solenoid to Tank (Includes Nuts)
4	23015.0000	1	Bracket, Upper Component
	02308.0000	3	Screw, Pan Head #8-32 x .375"
5	-----	1	Solenoid Valve Assy, 120V - 1.48" Dia Coil (Not available. Order 01085.0002)
	01085.0002	1	Solenoid Valve Assy, 120V - 1.0" Dia Coil (Includes items 6 thru 9)
	01327.0000	2	Screw, Pan Head #10-32 x .375"
	01502.0000	2	Lockwasher, Split #10
6	01101.0000	1	Solenoid Valve Coil, 120V - 1.48" Dia Coil
	28480.0000	1	Solenoid Valve Coil, 120V - 1.0" Dia Coil
7	01111.0000	1	Solenoid Valve Repair Kit - 1.48" Dia Coil (Includes Plunger, Seal & Spring)
	01111.0002	1	Solenoid Valve Repair Kit - 1.0" Dia Coil (Includes Plunger, Spring & O-ring)
8	01079.0000	1	Solenoid Valve Base - 1.48" Dia Coil
	28479.0000	1	Solenoid Valve Base Kit - 1.0" Dia Coil (Includes O-ring)
9	01116.0000	1	Guide - 1.48" Dia Coil
	28481.0000	1	Guide - 1.0" Dia Coil
10	00400.0001	2	Elbow, Male .250" Flare x .125" MPT
11	25160.0000	1	Tube Assy, Bulkhead to Solenoid (Includes Nuts)
12	00463.0000	1	Nut, Hex .438" - 20
13	01532.0000	1	Lockwasher, Internal Tooth .438" I.D.
14	00459.0001	1	Bulkhead Fitting .250" Flare
15	22300.0500	1	Strainer/Flow Control Assy (Includes items 16 thru 22)
16	01154.0000	1	Flow Control Outlet
17	01155.0000	1	Flow Control Gasket
18	20526.1500	1	Flow Washer/Gasket Set .500 GPM (Includes item 17)
19	-----	1	Body (Not available order item 15)
20	22307.0500	1	Decal, Strainer/Flow Control
21	23721.0000	1	Screen
22	22249.0000	1	End Cap
23	00310.0002	1	Tube Assy, Flow Control to Bulkhead (Includes Nuts)
24	M2517.0000	-	Sealant, Pipe 6 ml.



WATER BY-PASS

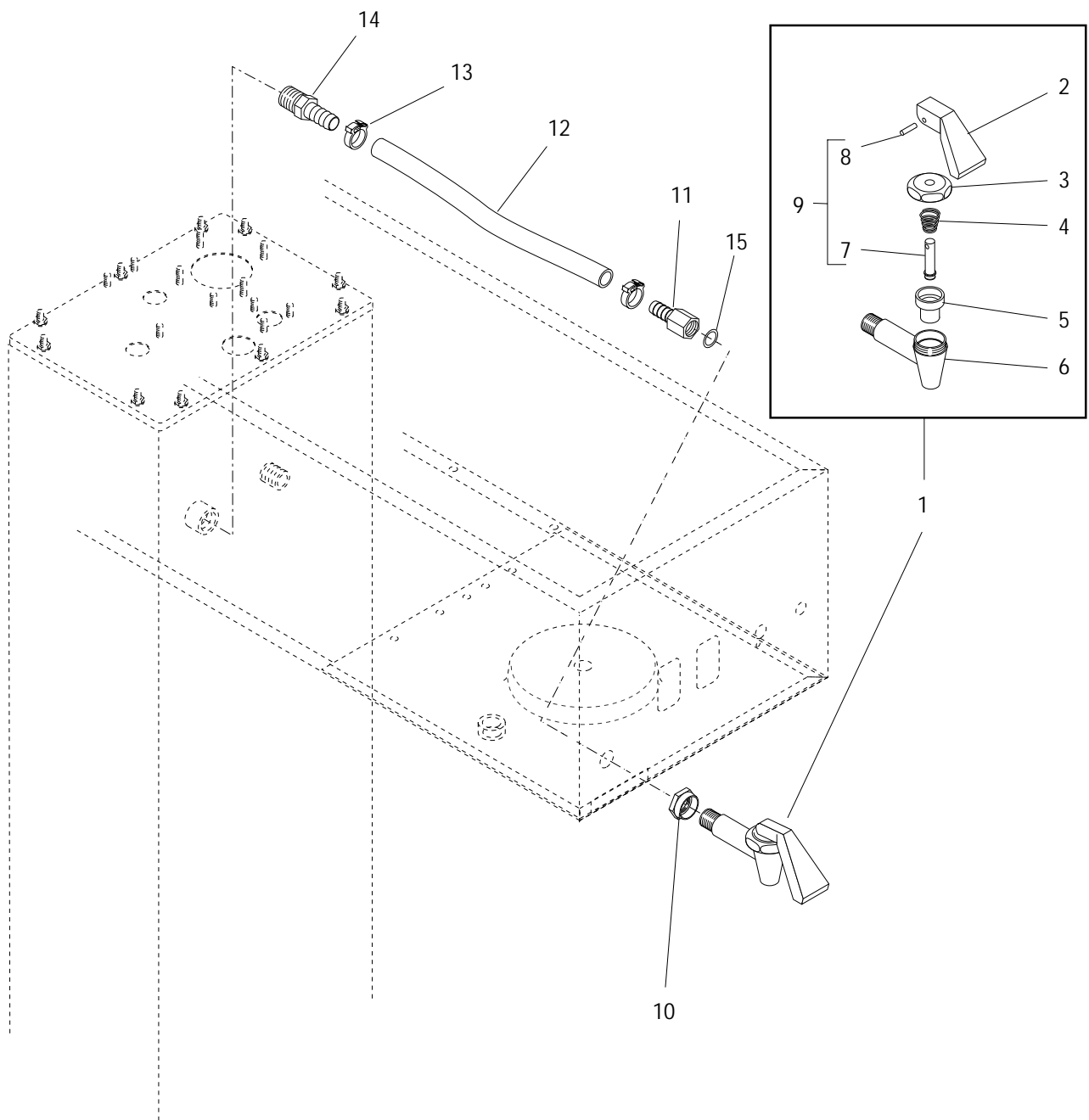
ITEM	PART NO.	QTY.	DESCRIPTION
1	-----	1	Tube, Silicone .375" I.D. x .62" O.D. x 9.50" (Order item 14)
2	12422.0001	2	Clamp, Hose .59"/.66" I.D.
3	21136.0001	1	Fitting, Barb .375" x .25" MPT (Early models only)
4	-----	1	Valve Assy, By-Pass 120V (Early models. Not available order Late model Valve Assy)
	27370.0000	1	Valve Assy, By-Pass 120V (Includes items 5 thru 11) (Late models)
	00970.0000	2	Nut, Keps #8-32
5	23254.0000	4	Screw #8-32
6	22305.0000	1	Coil Assy, By-Pass Valve 120V
7	-----	1	Bracket (Not available order item 4)
8	-----	1	Spring (Not available order item 16)
9	-----	1	Plunger (Not available order item 16)
10	23255.0000	1	Diaphragm
11	-----	1	Body (Not available order item 4)
12	-----	1	Tube,Silicone .375" I.D. x .62" O.D. x 4.25" (Order item 15)
13	20945.0002	1	Valve Assy, Needle By-Pass
14	12422.0005	2	Clamp, Hose .62"/.71" I.D.
15	20976.1000	1	Tube, Silicone .375" I.D. x .62" O.D. x 12.0"
	20976.1001	1	Tube, Silicone .375" I.D. x .62" O.D. x 36.0"
	20976.1002	1	Tube, Silicone .375" I.D. x .62" O.D. x 120.0"
16	11517.0008	-	Valve Repair Kit (Includes one each of items 8, 9 & 10)
17	M2517.0000	-	Sealant, Pipe 6 ml.

} Not illustrated



DISPENSE VALVE AND SPRAYHEAD

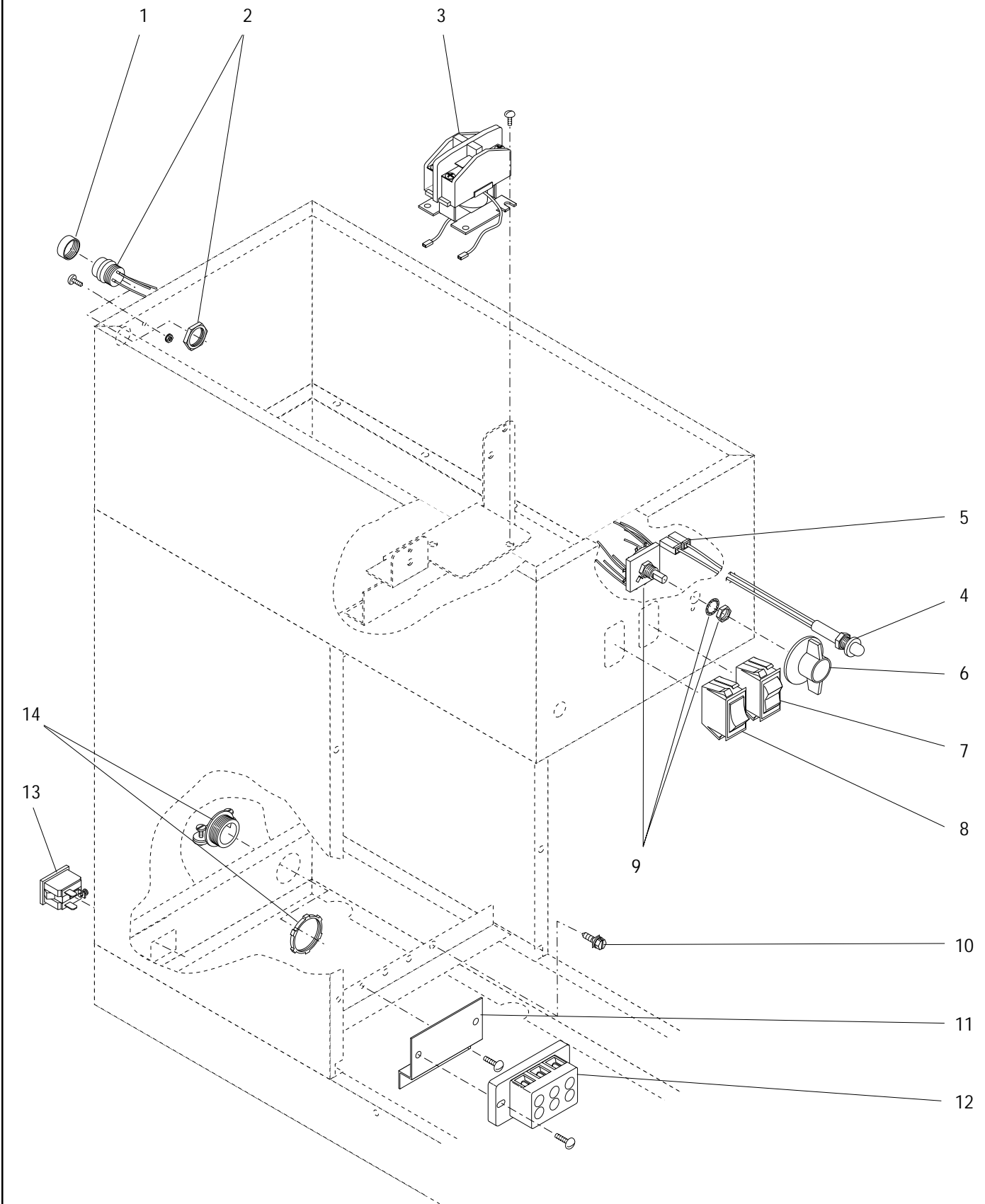
ITEM	PART NO.	QTY.	DESCRIPTION
1	26846.0000	1	Valve Assy, Sprayhead 120V (Includes items 2 thru 8)
2	23254.0000	4	Screw #8-32
3	22305.0000	1	Coil Assy, Dispensing Valve 120V
4	23256.0000	1	Spacer Plate
5	-----	1	Spring (Not available order item 16)
6	-----	1	Plunger (Not available order item 16)
7	23255.0000	1	Diaphragm
8	-----	1	Body (Not available order item 1)
9	26924.0000	1	Tee, Run .25" MPTF x .38" x .38" Barb
10	-----	1	Tube, Silicone .38" I.D. x .62" O.D. x 5.25" (Order item 15)
11	12422.0001	2	Clamp, Hose .59"/.66" I. D.
12	21136.0001	1	Fitting, Barb .375" x .25" MPT
13	01075.0000	1	Nut, Hex .438" - 20
14	01082.0002	1	Sprayhead
15	20976.1000	1	Tube, Silicone .375" I.D. x .62" O.D. x 12.0"
	20976.1001	1	Tube, Silicone .375" I.D. x .62" O.D. x 36.0"
	20976.1002	1	Tube, Silicone .375" I.D. x .62" O.D. x 120.0"
			} Not illustrated
16	11517.0008	-	Valve Repair Kit (Includes one each of items 5, 6 & 7)
17	M2517.0000	-	Sealant, Pipe 6 ml.



FAUCET

ITEM	PART NO.	QTY.	DESCRIPTION
1	02596.1007	1	Faucet Assy (Includes items 2 thru 10)
2	02861.0000	1	Handle, Faucet
3	02854.0001	1	Bonnet, Faucet
4	02595.0000	1	Spring, Faucet
5	02766.0000	1	Seat Cup, Faucet
6	-----	1	Body, Faucet
7	13054.0000	1	Stem, Faucet
8	02858.0000	1	Pin, Spring .125" Dia. x .50"
9	02594.0000	1	Faucet Stem W/Pin (Includes items 7 & 8)
10	02850.0001	1	Jam Nut, Faucet
11	12437.0000	1	Adapter, Barb
12	-----	1	Tube, Silicone .38" I.D. x .62" O.D. x 10.25" (Order item 16)
13	12422.0001	2	Clamp, Hose .59" x .66" I.D.
14	21136.0001	1	Fitting, Barb .375" x .25" MPT
15	27574.0000	1	Washer, Sealing
16	20976.1000	1	Tube, Silicone .38" I.D. x .62" O.D. x 12.0"
	20976.1001	1	Tube, Silicone .38" I.D. x .62" O.D. x 36.0"
	20976.1002	1	Tube, Silicone .38" I.D. x .62" O.D. x 120.0"
17	M2517.0000	-	Sealant, Pipe 6 ml.
18	28706.0002	-	Faucet Kit (Includes items 2 and 4 thru 8)

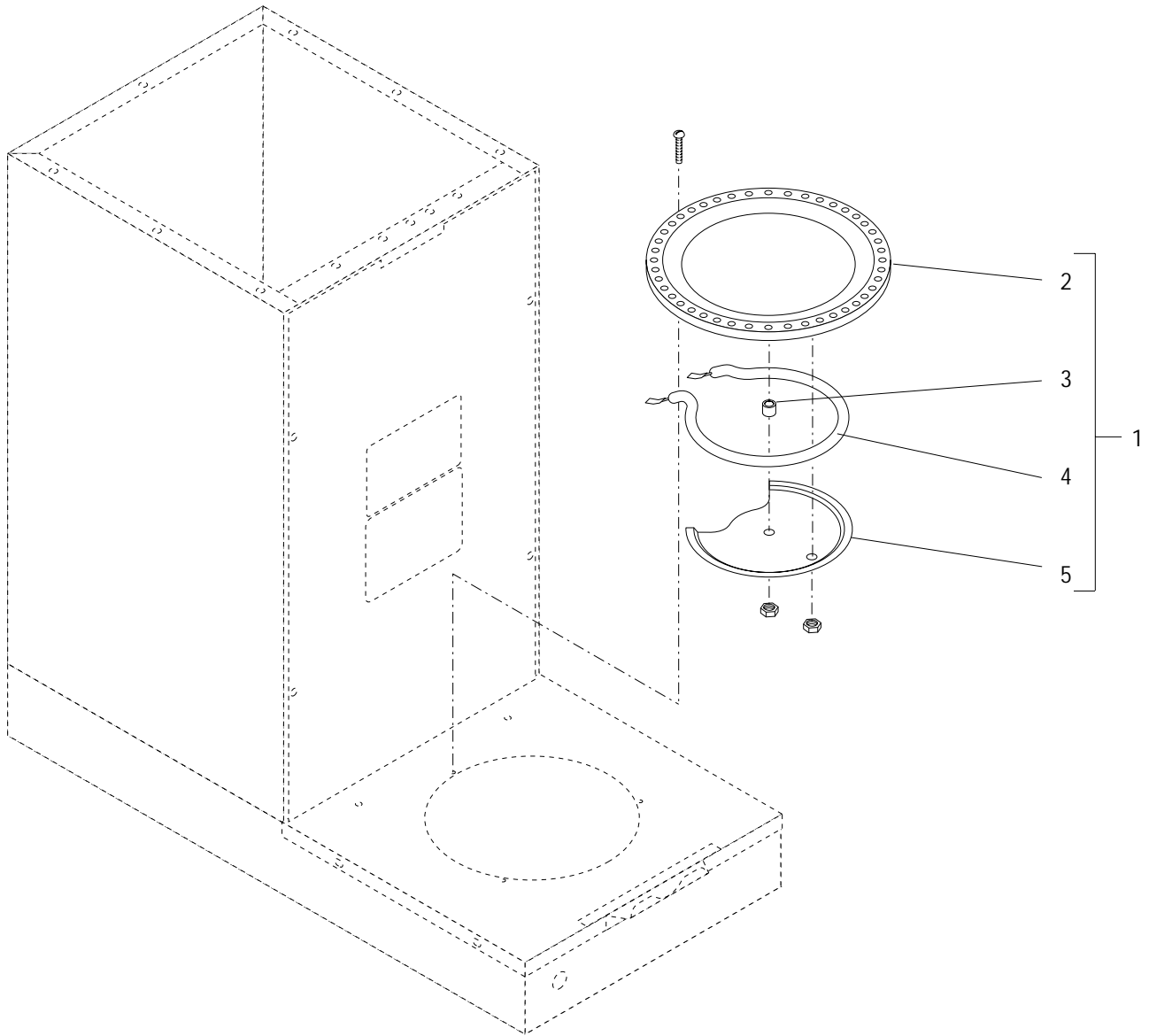
} Not Illustrated



ELECTRICAL CONTROLS & READY LIGHT

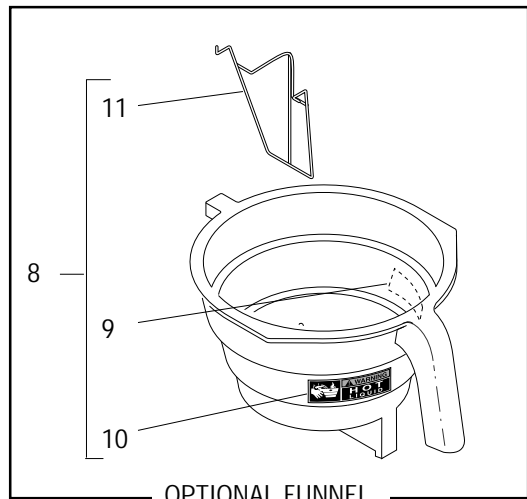
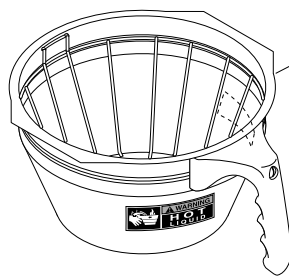
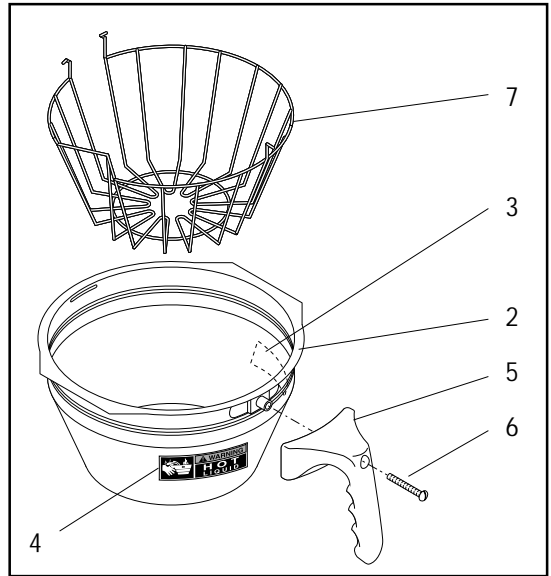
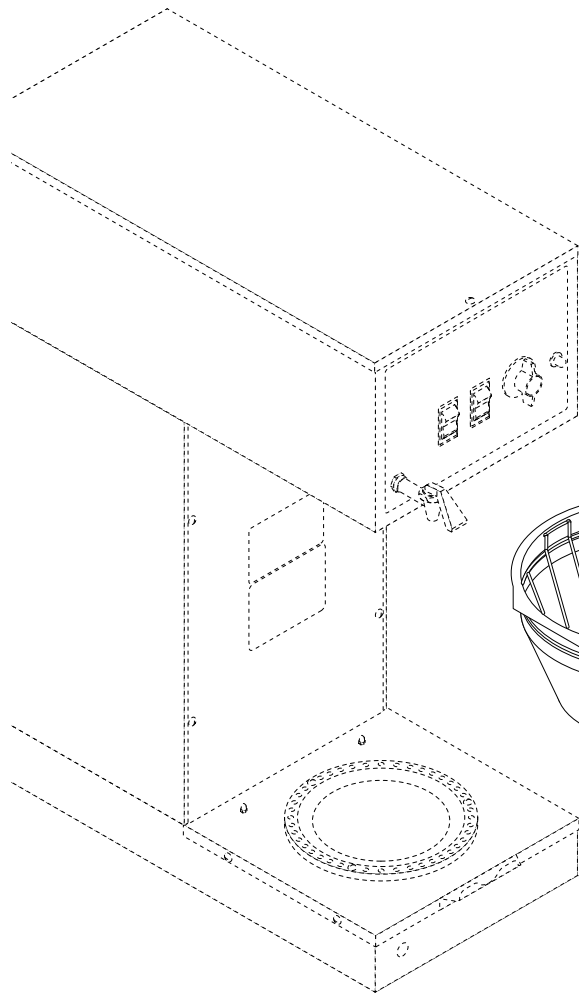
ITEM	PART NO.	QTY.	DESCRIPTION
1	27657.0000	1	Dustcap
2	12274.0002	1	Socket Assy W/Leads, Interface
3	06335.1000	1	Contactor Assy, 120V Coil
	01327.0000	2	Screw, Pan Head #10-32 x .375"
4	12984.0002	1	Light Assy 120V (Includes item 7)
	12984.0004	1	Light Assy 240V (Includes item 7)
5	04243.0000	2	Terminal Housing, Receptacle
6	12246.0001	1	Knob, Rotary Switch
7	02753.0000	1	Switch, On/Off 120V
8	02628.0000	1	Switch, Momentary- Start
9	20969.0001	1	Switch Assy, Rotary
10	01309.0000	1	Ground Screw W/Terminal Washer #10-32 x .50"
11	23004.0000	1	Bracket, Terminal Block Mounting
	02308.0000	2	Screw, Pan Head #8-32 x .375"
12	07038.0000	1	Terminal Block, 3 Pole (120/208V & 120/240V) (Shown)
	01106.0000	1	Terminal Block, 2 Pole (120V)
	01317.0000	2	Screw, Truss Head #8-32 x .375"
13	03628.0000	1	Receptacle, Grounded
14	01590.0000	1	Connector, Cable
15	27026.0000	1	Wiring Harness, Main (120/208V & 120/240V)
	27026.0001	1	Wiring Harness, Main (120V)
16	23378.0000	1	Wiring Harness, Contactor (208V & 240V)
	23378.0001	1	Wiring Harness, Contactor (120V)

} Not Illustrated



WARMER ASSEMBLY

ITEM	PART NO.	QTY.	DESCRIPTION
1	03668.0000	1	Warmer Assy, Blk 130W 120V (Includes items 2 thru 5)
	01303.0001	3	Screw, Pan Head #4-40 x .50"
2	03656.0000	1	Warmer Dish, Blk - 45 Hole
3	13042.0001	1	Spacer .174" I.D. x .188"
4	01225.0000	1	Warmer Element, 130W 120V
5	05212.0000	1	Plate, Warmer Retainer
	00970.0000	2	Nut, Keps #8-32



OPTIONAL FUNNEL

FUNNELS

ITEM	PART NO.	QTY.	DESCRIPTION
1	20201.1203	1	Funnel Assy, Brass (Includes Items 2 thru 7)
2	24462.0001	1	Funnel W/Decals (Includes items 3 & 4)
3	03408.0000	1	Decal, Caution-Remove Funnel
4	03409.0000	1	Decal, Caution-Hot Liquid
5	20201.1100	1	Handle, Funnel-Black
6	12499.0001	1	Screw, Round Head Brass .25" - 20 x 1.50"
7	29416.0003	1	Filter Basket
8	22735.0001	1	Funnel Assy, Plastic-Smoke (Includes items 9,10 & 11)
9	03408.0000	1	Decal, Caution-Remove Funnel
10	03409.0000	1	Decal, Caution-Hot Liquid
11	21911.0000	1	Funnel Adapter, Water By-pass

NUMERICAL INDEX

PART NO.	PAGE NO.	PART NO.	PAGE NO.	PART NO.	PAGE NO.	PART NO.	PAGE NO.
00310.0002	13	02854.0001	19	20976.1002	15,17,19	28909.0000	11
00400.0001	13	02858.0000	19	21136.0001	15,17,19	29416.0003	25
00459.0001	13	02861.0000	19	21812.0007	13	32400.0002	7
00463.0000	13	03011.0000	5	21911.0000	25	M2517.0000	13,15,17,19
00619.0008	5	03236.1001	9	22249.0000	13		
00656.0000	5	03359.0000	5	22300.0500	13		
00658.0000	5	03408.0000	25	22305.0000	15,17		
00720.0000	7	03409.0000	25	22307.0500	13		
00831.0000	5	03628.0000	21	22735.0001	25		
00908.0000	9,11,13	03633.0000	9	22976.0000	11		
00932.0000	9	03656.0000	23	22978.0000	11		
00946.0000	9	03668.0000	23	22992.0001	13		
00970.0000	15,23	03803.0000	9	23004.0000	21		
00971.0000	9,11	03807.0000	9	23015.0000	13		
01075.0000	17	04243.0000	21	23024.0002	5		
01079.0000	13	04314.0001	7	23193.0001	11		
01082.0002	17	05212.0000	23	23254.0000	15,17		
01085.0002	13	05515.0000	13	23255.0000	15,17		
01101.0000	13	06335.1000	21	23256.0000	17		
01106.0000	21	07038.0000	21	23324.1000	11		
01111.0000	13	07073.0000	7	23378.0000	21		
01111.0002	13	07074.1026	7	23378.0001	21		
01116.0000	13	10044.0000	5	23717.0001	9		
01154.0000	13	11517.0008	15,17	23721.0000	13		
01155.0000	13	12246.0001	21	24462.0001	25		
01225.0000	23	12274.0002	21	24486.1000	7		
01303.0001	23	12322.1000	9	25070.0000	5		
01309.0000	21	12364.0000	5	25106.0000	5		
01311.0000	5	12398.0002	9	25119.0000	5		
01315.0003	5,11	12422.0000	9	25123.0000	5		
01317.0000	21	12422.0001	15,17,19	25151.0000	5		
01327.0000	13,21	12422.0005	15	25160.0000	13		
01347.0000	7	12437.0000	19	25619.0000	5		
01382.0000	5	12499.0001	25	25783.0000	5		
01382.0005	5	12524.1000	9	25784.0000	5		
01388.0000	7	12552.0000	9	25785.0000	5		
01501.0000	9	12984.0002	21	25786.0000	5		
01502.0000	13	12984.0004	21	25787.0000	5		
01510.0000	7	13042.0001	23	25788.0000	5		
01511.0000	7	13054.0000	19	26619.0000	9		
01532.0000	13	20201.1100	25	26622.0001	9		
01533.0000	7	20201.1203	25	26846.0000	17		
01590.0000	21	20201.4401	5	26885.0001	5		
02308.0000	5,7,11,13,21	20201.4601	5	26924.0000	17		
02324.0002	5	20201.5600	5	27026.0000	21		
02536.0000	9	20203.0100	9,11	27026.0001	21		
02594.0000	19	20526.1500	13	27370.0000	15		
02595.0000	19	20922.1003	9	27574.0000	19		
02596.1007	19	20936.1000	9	27657.0000	21		
02628.0000	21	20945.0002	15	28377.0000	7		
02753.0000	21	20948.0001	7	28479.0000	13		
02766.0000	19	20969.0001	21	28480.0000	13		
02822.0000	5	20976.1000	15,17,19	28481.0000	13		
02850.0001	19	20976.1001	15,17,19	28706.0002	19		