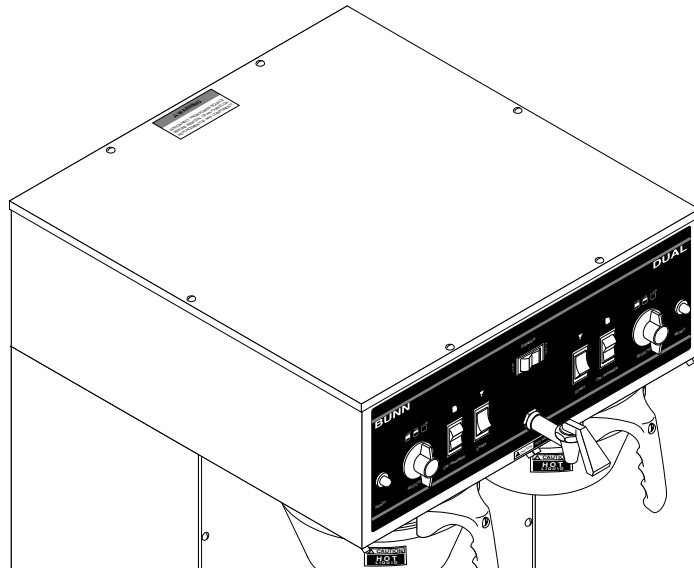


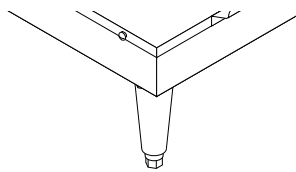
BUNN®

DUAL™

(BRASS DECOR)



DISCONTINUED VERSION
Parts listed in this catalog
may no longer be available.



ILLUSTRATED PARTS CATALOG

Designs, materials, weights, specifications, and dimensions for equipment or replacement parts are subject to change without notice.

BUNN-O-MATIC CORPORATION

POST OFFICE BOX 3227

SPRINGFIELD, ILLINOIS 62708-3227

PHONE: (217) 529-6601 FAX: (217) 529-6644

WARRANTY

Bunn-O-Matic Corp. ("Bunn") warrants the equipment manufactured by it to be commercially free from defects in material and workmanship existing at the time of manufacture and appearing within one year from the date of installation. In addition:

1.) Bunn warrants electronic circuit and/or control boards to be commercially free from defects in material and workmanship for three years from the date of installation.

2.) Bunn warrants the compressor on refrigeration equipment to be commercially free from defects in material and workmanship for two years from the date of installation.

3.) Bunn warrants that the grinding burrs on coffee grinding equipment will grind coffee to meet original factory screen sieve analysis for three years from date of installation or for 30,000 pounds of coffee, whichever comes first.

This warranty does not apply to any equipment, component or part that was not manufactured by Bunn or that, in Bunn's judgement, has been affected by misuse, neglect, alteration, improper installation or operation, improper maintenance or repair, damage or casualty.

THE FOREGOING WARRANTY IS EXCLUSIVE AND IS IN LIEU OF ANY OTHER WARRANTY, WRITTEN OR ORAL, EXPRESS OR IMPLIED, INCLUDING, BUT NOT LIMITED TO, ANY IMPLIED WARRANTY OF EITHER MERCHANTABILITY OR FITNESS FOR A PARTICULAR PURPOSE. The agents, dealers or employees of Bunn are not authorized to make modifications to this warranty or to make additional warranties that are binding on Bunn. Accordingly, statements by such individuals, whether oral or written, do not constitute warranties and should not be relied upon.

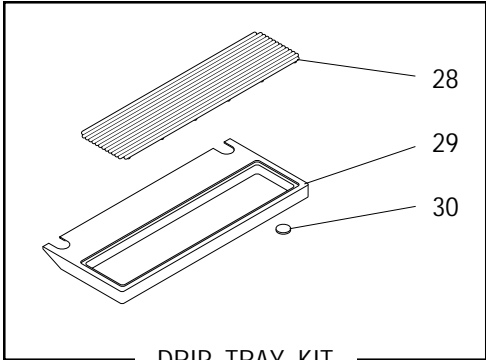
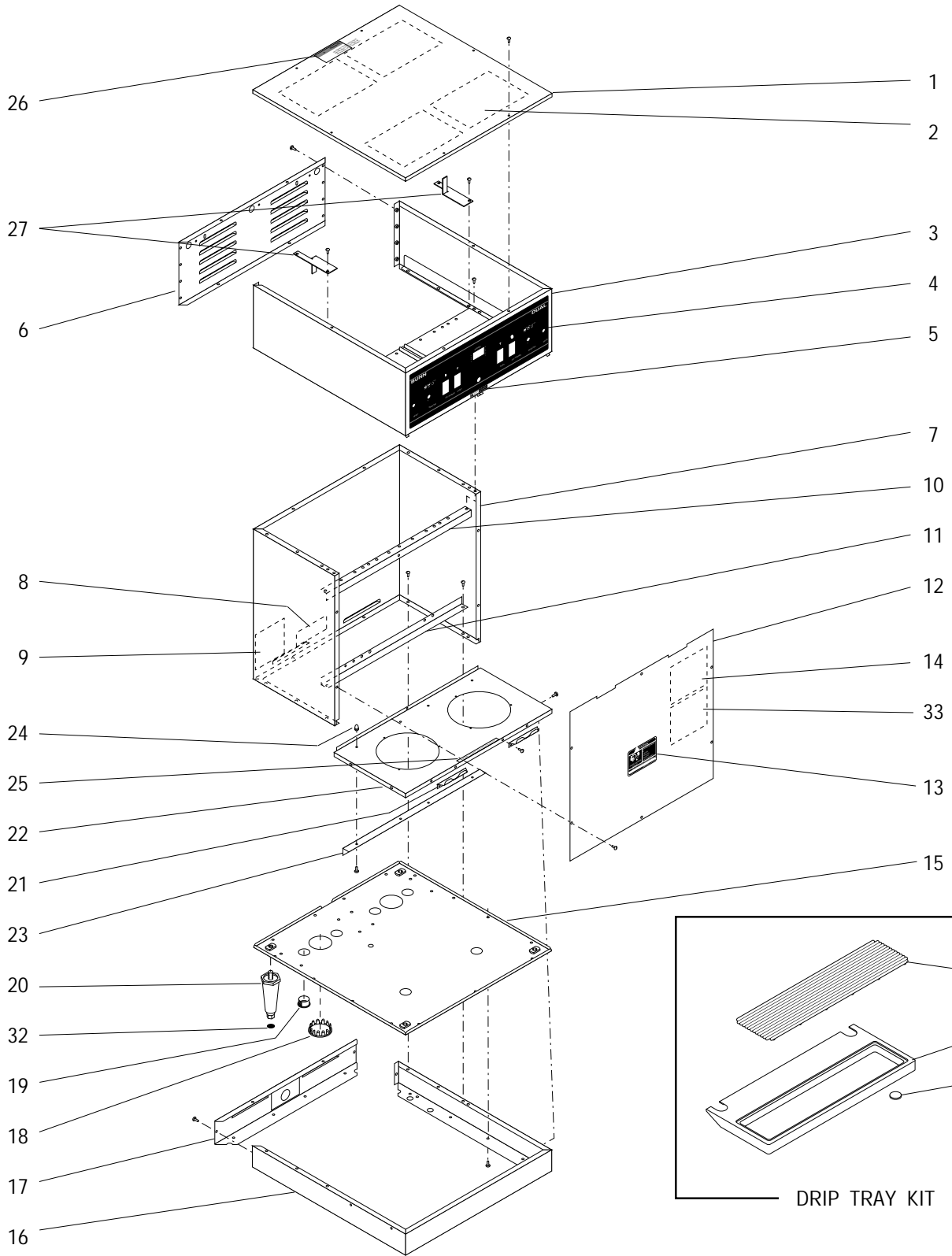
The Buyer shall give Bunn prompt notice of any claim to be made under this warranty by telephone at (217) 529-6601 or by writing to Post Office Box 3227, Springfield, Illinois, 62708-3227. If requested by Bunn, the Buyer shall ship the defective equipment prepaid to an authorized Bunn service location. If Bunn determines, in its sole discretion, that the equipment does not conform to the warranty, Bunn shall repair the equipment with no charge for parts during the warranty period and no charge for labor by a Bunn Authorized Service Representative during the warranty period. If Bunn determines that repair is not feasible, Bunn shall, at its sole option, replace the equipment or refund the purchase price for the equipment.

THE BUYER'S REMEDY AGAINST BUNN FOR THE BREACH OF ANY OBLIGATION ARISING OUT OF THE SALE OF THIS EQUIPMENT, WHETHER DERIVED FROM WARRANTY OR OTHERWISE, SHALL BE LIMITED, AS SPECIFIED HEREIN, TO REPAIR OR, AT BUNN'S SOLE OPTION, REPLACEMENT OR REFUND.

In no event shall Bunn be liable for any other damage or loss, including, but not limited to, lost profits, lost sales, loss of use of equipment, claims of Buyer's customers, cost of capital, cost of down time, cost of substitute equipment, facilities or services, or any other special, incidental or consequential damages.

TABLE OF CONTENTS

TITLE	PAGE NO.
Base - Trunk - Hood - Covers & Panels	4
Dispense Valve and Sprayhead	18
Electrical Controls & Ready Light	22
Faucet	20
Funnel	26
Numerical Index	28
Strainer/Flow Control - Solenoid & Lines	14
Tank and Mounting Brackets	12
Tank Heater & Overflow Protection Devices	10
Timer & Mechanical Thermostat	8
Warmer Assemblies	24
Water By-Pass	16

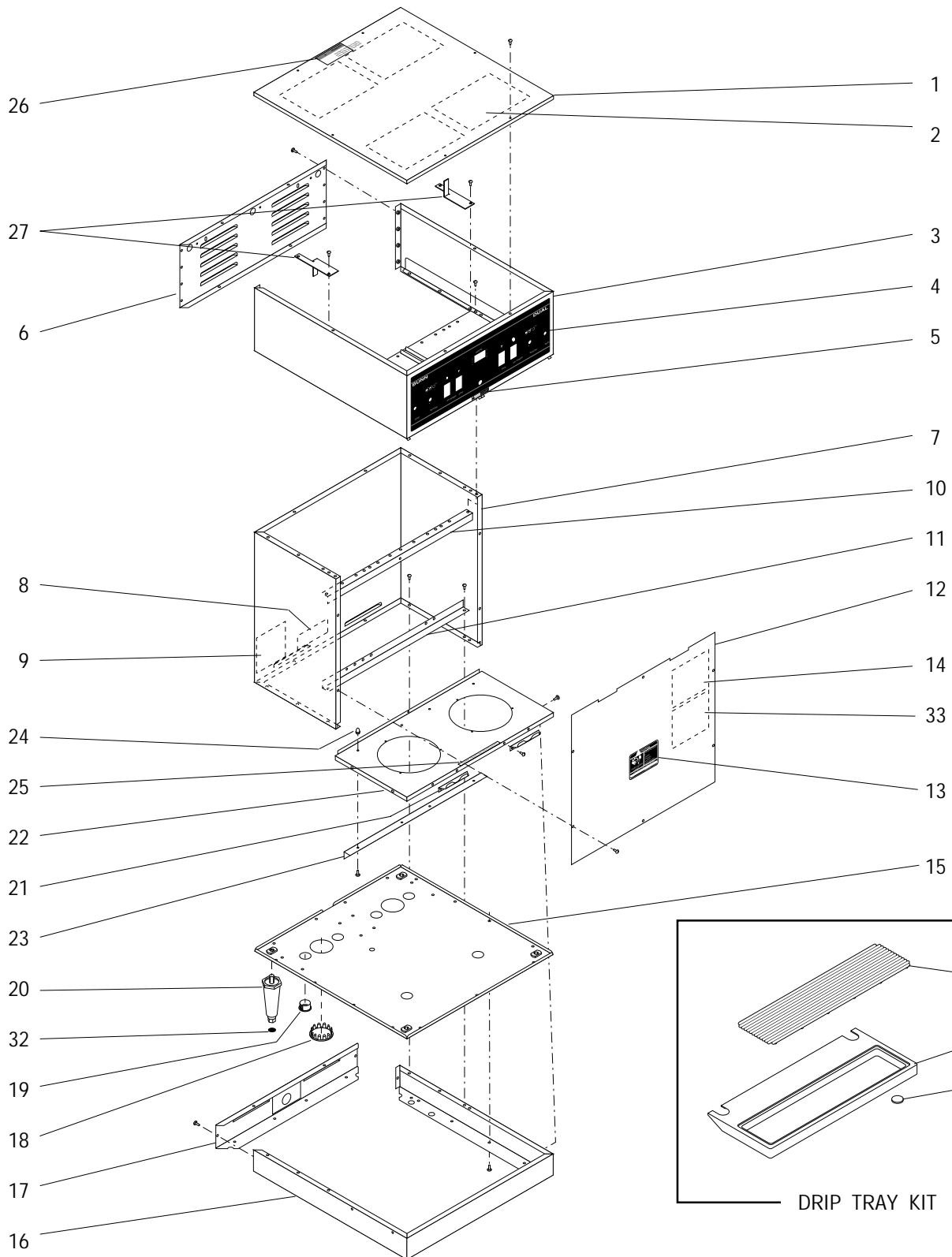


BASE - TRUNK - HOOD - COVERS & PANELS

ITEM	PART NO.	QTY.	DESCRIPTION
1	25370.0000	1	Cover Assy, Top (Includes items 2 & 26)
	01382.0005	6	Screw, Truss Head Brass 6 - 32 x .375"
2	25151.0000	4	Shield, Insulator
3	22313.0006	1	Hood W/Decals (Includes items 4, 5 & 6)
	02308.0000	18	Screw, Pan Head 8 - 32 x .375"
4	20966.0004	1	Decal, Control Panel
5	20201.5600	1	Decal, Caution Hot Water (Early Models)
6	25062.0000	1	Panel, Hood
	01315.0003	8	Screw, Truss Head Brass 8 - 32 x .375"
7	24396.0002	1	Trunk W/Decals (Includes items 8 & 9)
8	00656.0000	1	Decal, Comply to Plumbing Code
9	00831.0000	1	Decal, Warning - Electrical
10	20886.0001	1	Angle, Upper
11	20914.0001	1	Angle, Lower
	02308.0000	2	Screw, Pan Head 8 - 32 x .375"
12	27044.0005	1	Panel W/Decals, Trunk (Includes items 13 & 14)
	01382.0005	6	Screw, Truss Head Brass 6 - 32 x .375"
13	00658.0000	1	Decal, Caution - Decanter/Funnel
14	10864.0005	1	Schematic
15	25068.0000	1	Cover, Bottom
	02308.0000	15	Screw, Pan Head 8 - 32 x .375"
16	24458.0001	1	Base Assy (Includes item 17)
	02308.0000	8	Screw, Pan Head 8 - 32 x .375"
17	25071.0000	1	Panel, Base
	01315.0003	2	Screw, Truss Head Brass 8 - 32 x .375"
18	00619.0008	2	Plug, Hole 2.0" Dia.
19	03011.0000	6	Plug, Vent 1.0" Dia.
20	03359.0000	4	Leg, 4.0" Plastic
21	25070.0000	2	Bracket
	01382.0005	4	Screw, Truss Head Brass 6 - 32 x .375"
22	24455.0001	1	Warmer Panel Assy W/Decal (Includes items 23 thru 25)
	01382.0005	4	Screw, Truss Head Brass 6 - 32 x .375"
23	21106.0000	1	Angle, Support
	01311.0000	4	Screw, Truss Head 8 - 32 x .25"
24	02324.0002	4	Nut, Acorn Brass 8 - 32

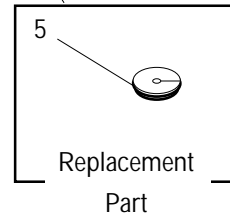
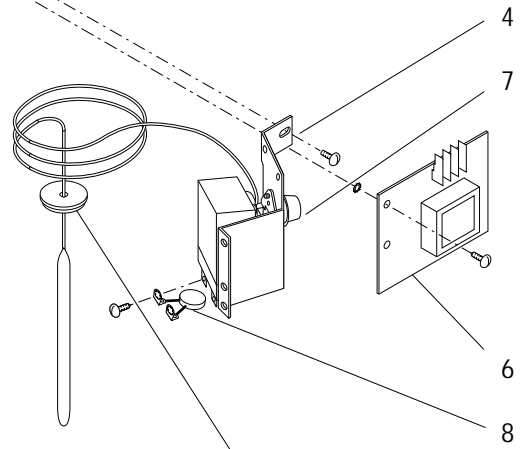
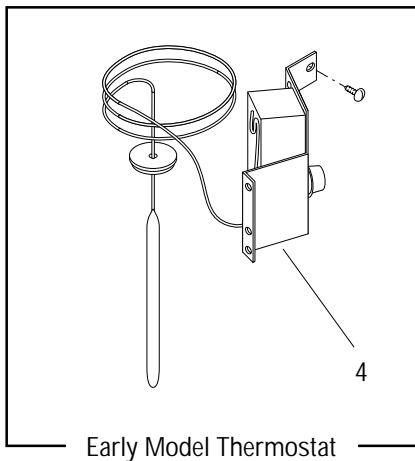
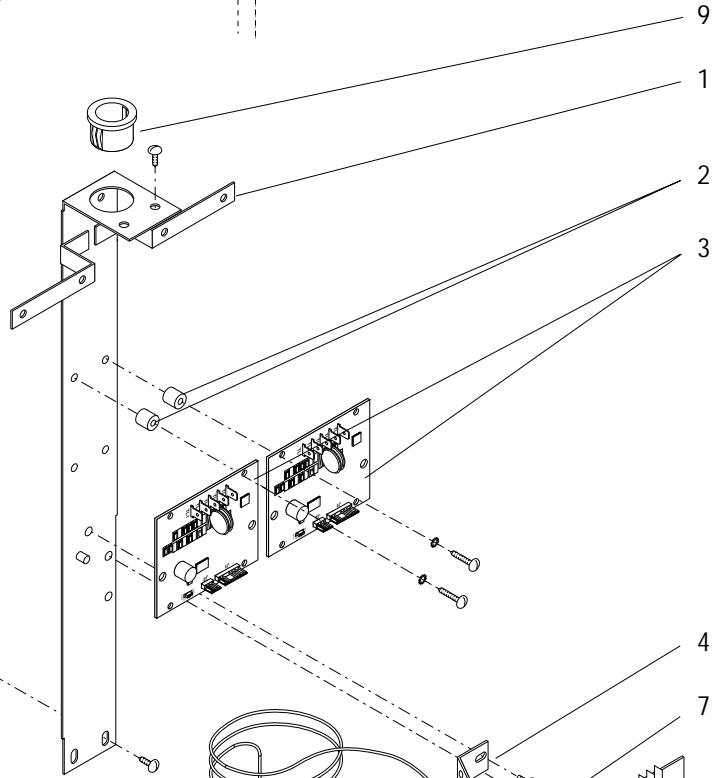
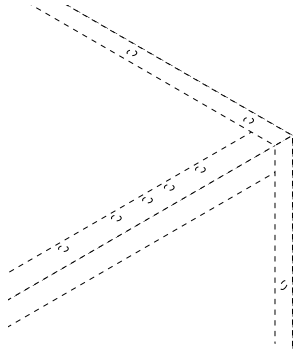
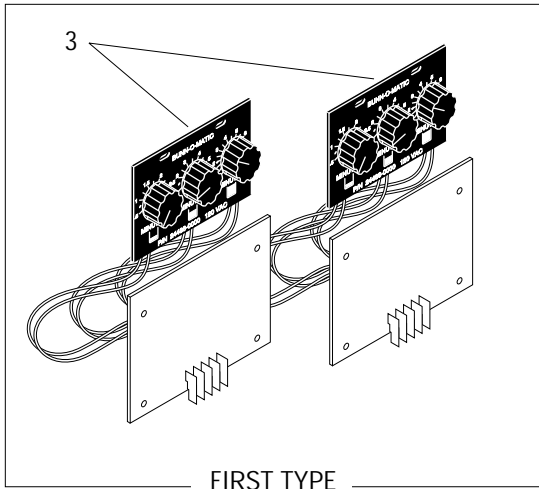
(Continued)

(Continued)



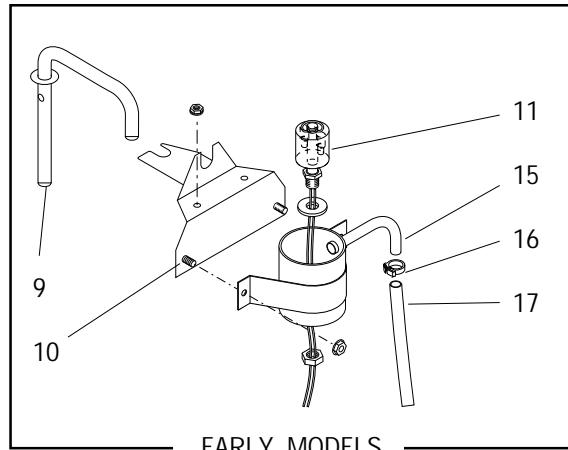
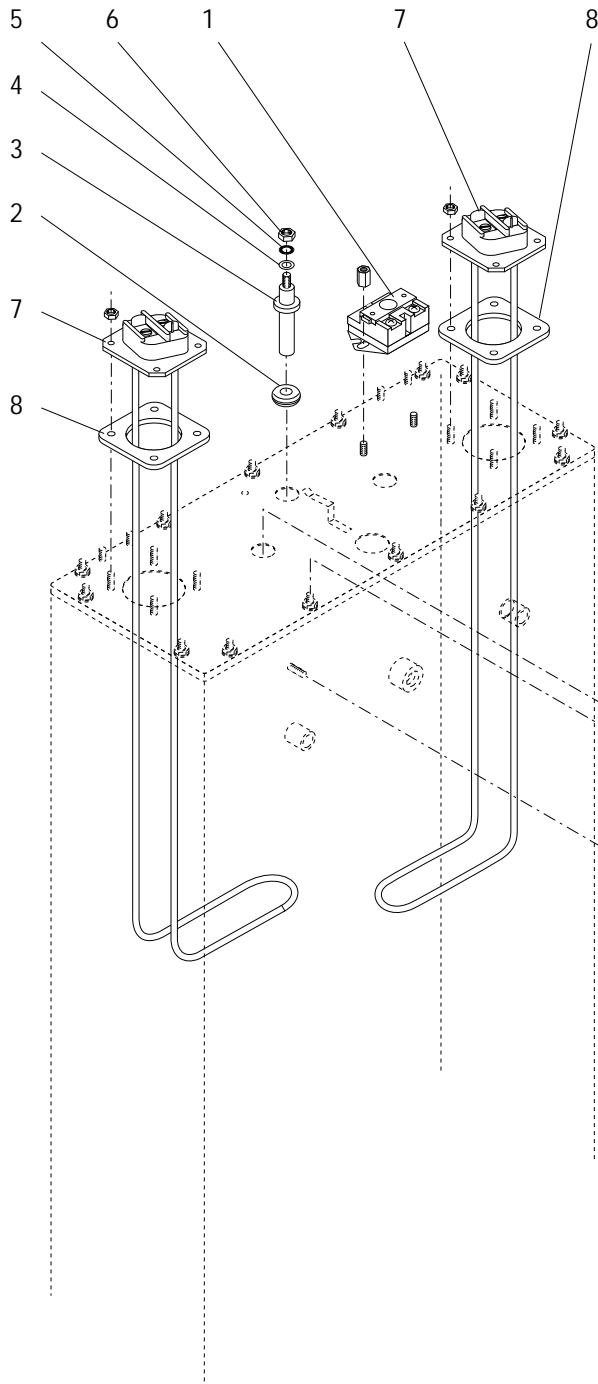
BASE - TRUNK - HOOD - COVERS & PANELS

ITEM	PART NO.	QTY.	DESCRIPTION
25	12364.0000	1	Decal, Caution-Warmers are Hot
26	10044.0000	1	Decal, Warning "Shut Off Power"
27	26949.0000	2	Bracket, Tank Supporting
28	26916.0001	1	Wire Grill, Drip Tray (Brass)
29	26971.1000	1	Drip Tray W/Pads (Includes item 30)
30	11591.0000	4	Pad, Adhesive 1.0" Dia.
31	27150.0000	-	Kit, Drip Tray (Includes items 28, 29 & 30)
32	03993.0000	4	Pad, Anti-Skid .70" Dia
33	32540.0000	1	Decal, Timer Setting Instruction
34	13255.0001	-	Kit, Leg 4.0" Black Plastic (Includes items 20 & 32)



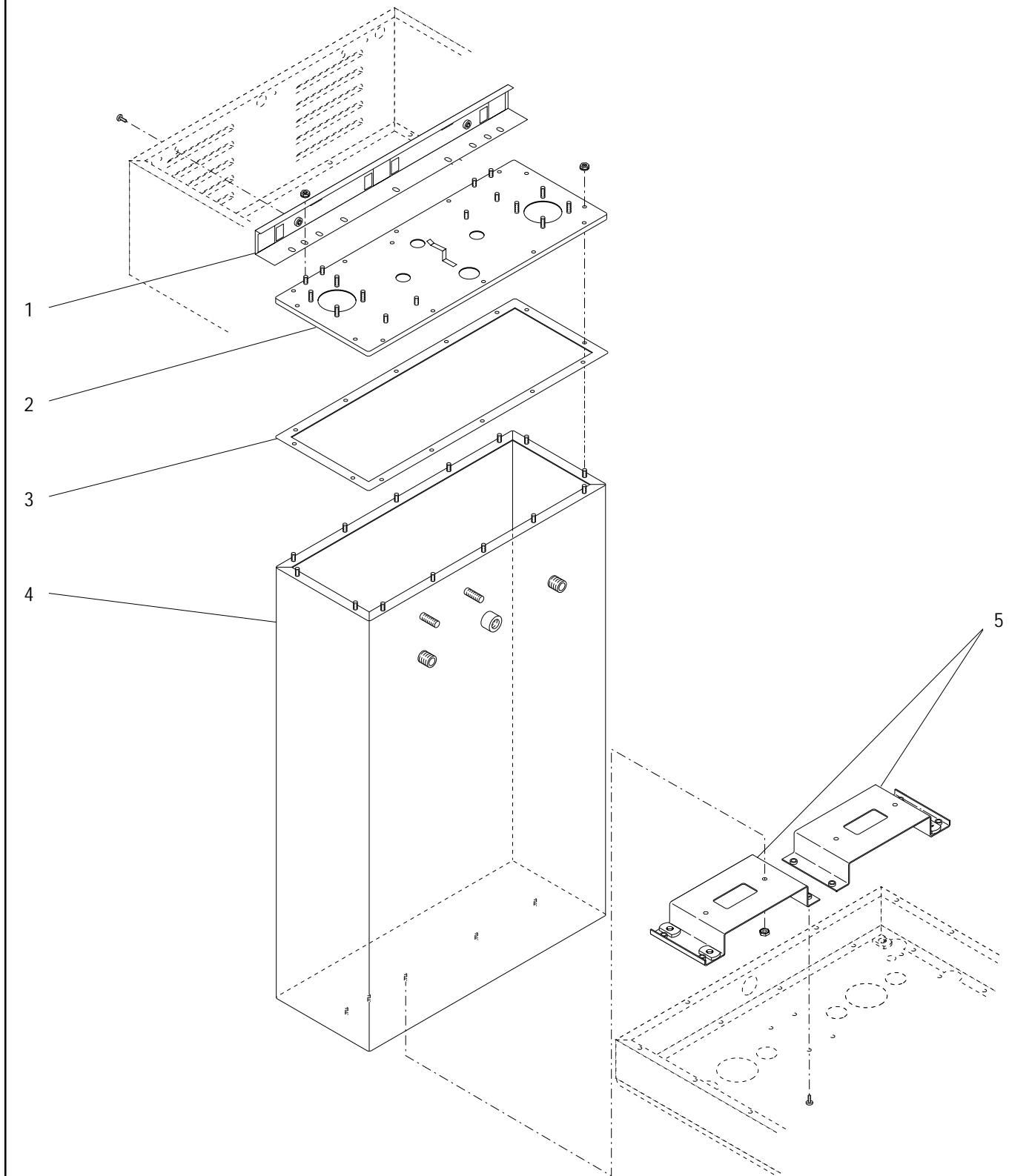
TIMER & MECHANICAL THERMOSTAT

ITEM	PART NO.	QTY.	DESCRIPTION
1	20948.0001	1	Bracket, Component Mounting
	02308.0000	4	Screw, Pan Head 8 - 32 x .375"
2	01533.0000	4	Spacer, Nylon .375"
3	24486.1000	2	Timer, Triple 120V (First Type)
	32400.0002	2	Timer, Digital 120V (Second Type)
	01347.0000	4	Screw, Truss Head 6 - 32 x .375" (Not used with Digital Timer)
	01510.0000	4	Lockwasher, External Tooth #6
	01388.0000	4	Screw, Truss Head 6 - 32 x .75"
4	04314.0001	1	Thermostat Kit (Includes items 5, 7 & 8) (Late Models) (Also replaces early model thermostat)
	02308.0000	1	Screw, Pan Head 8 - 32 x .375"
	20762.0000	2	Screw, Binding Head 8 - 32 x .25" (Terminal Screw)
5	07073.0000	1	Grommet, Thermostat
6	07074.1026	1	Control Board, Level
	02308.0000	2	Screw, Pan Head 8 - 32 x .375"
	01511.0000	2	Lockwasher, External Tooth #8
7	00720.0000	1	Knob, Thermostat
8	28377.0000	1	Noise Suppressor (Not used with Digital Timer)
9	01592.0000	1	Bushing, 1.0" Dia. Hole



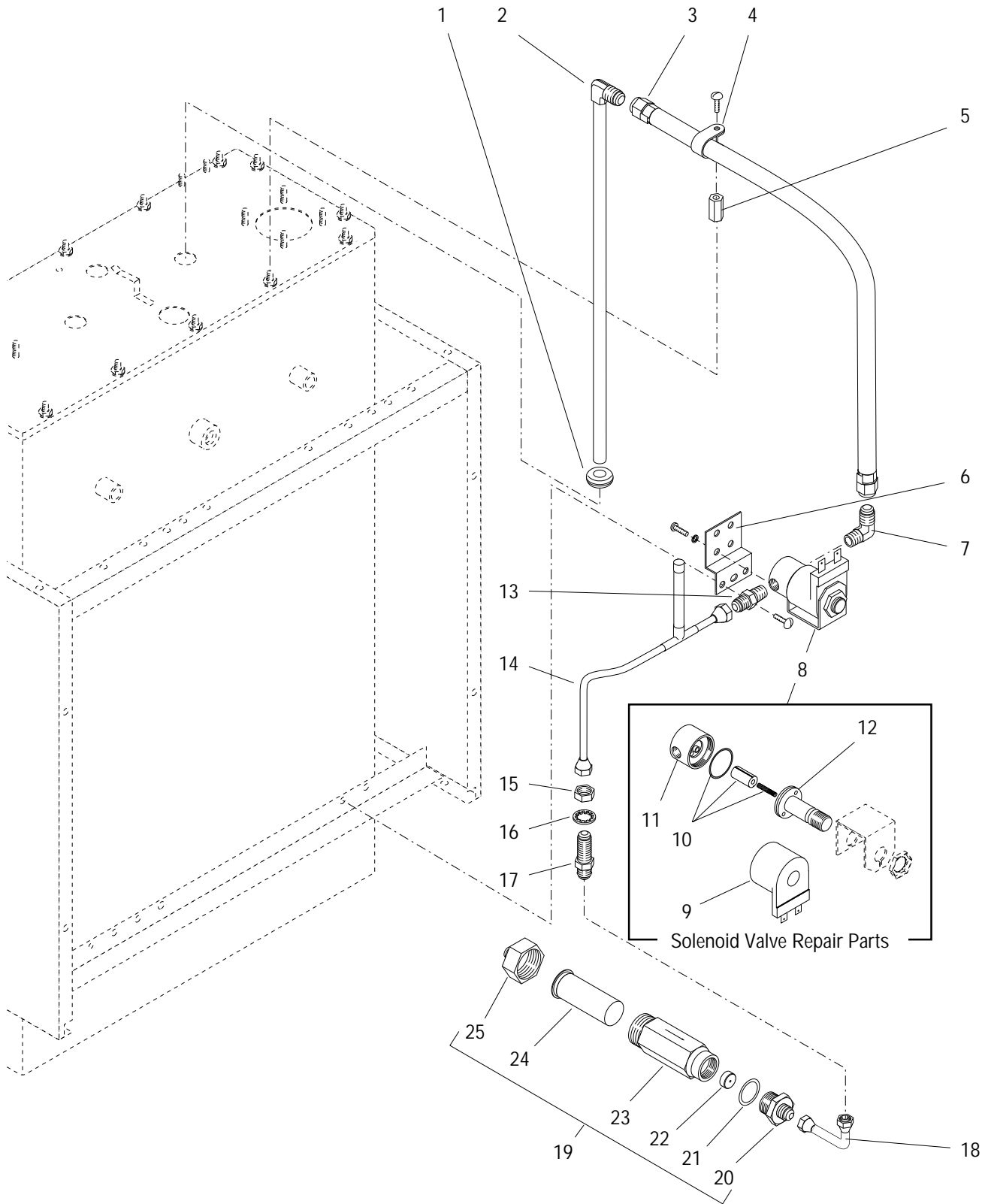
TANK HEATER & OVERFLOW PROTECTION DEVICES

ITEM	PART NO.	QTY.	DESCRIPTION
1	23717.0001	1	Thermostat, Limit
	00908.0000	2	Nut 10 - 32
2	02536.0000	2	Grommet,.375" I.D.
3	20936.1000	1	Probe Kit (Includes items 4, 5 & 6)
4	01501.0000	1	Washer, .164" I.D. x .375" O.D.
5	20203.0100	1	Lockwasher, Internal Tooth #8
6	00908.0000	1	Nut, Hex 8 - 32
7	20922.1000	2	Tank Heater Kit, 3300W @ 240V
	20922.1002	2	Tank Heater Kit, 2850W @ 208V
	00908.0000	8	Nut, Hex 8 - 32
			} Includes item 7
8	12398.0002	2	Gasket, Tank Heater
9	-----	1	Tube Assy, Vent (First type. Not available order item 19)
	26622.0001	1	Tube Assy, Vent (Second type)
10	-----	1	Bracket, Overflow Cup Mounting (First type. Not available order item 19)
	27743.0000	1	Bracket, Overflow Cup Mounting (Second type)
11	03803.0000	1	Switch Assy, Liquid Level (Includes items 12, 13 & 14)
	00946.0000	1	Nut, Hex .125" FPT
12	03633.0000	2	Gasket, Float Switch (Only 1 used in this application)
13	-----	3	Washer, Adjusting (DO NOT USE IN THIS APPLICATION)
14	03807.0000	1	Clip, Spring
15	-----	1	Overflow Cup Assy (First type. Not available order item 19)
	22728.0000	1	Overflow Cup Assy (Second type)
	00971.0000	2	Nut, Keps 10 - 32
16	12422.0000	1	Clamp, Hose .47"/.54" I.D.
17	-----	1	Tube, Silicone .312" I.D. x 21.50" (Order item 18)
18	03236.1001	-	Tube, Silicone .312" I.D. x 36.0"
	03236.1003	-	Tube, Silicone .312" I.D. x 60.0"
	03236.1002	-	Tube, Silicone .312" I.D. x 120.0"
			} Not illustrated
19	27461.0000	-	Kit, Square Overflow Cup (For tank assemblies without side mounted studs)



TANK AND MOUNTING BRACKETS

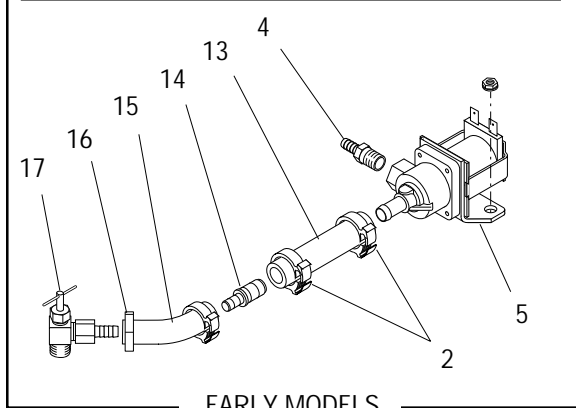
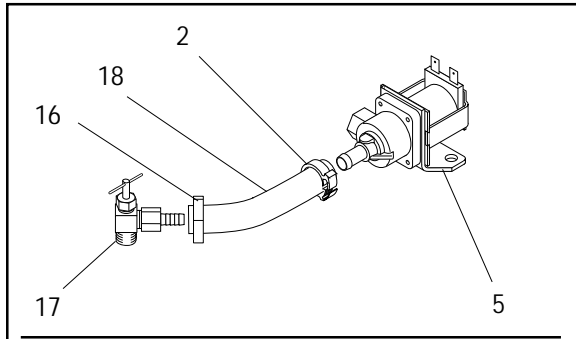
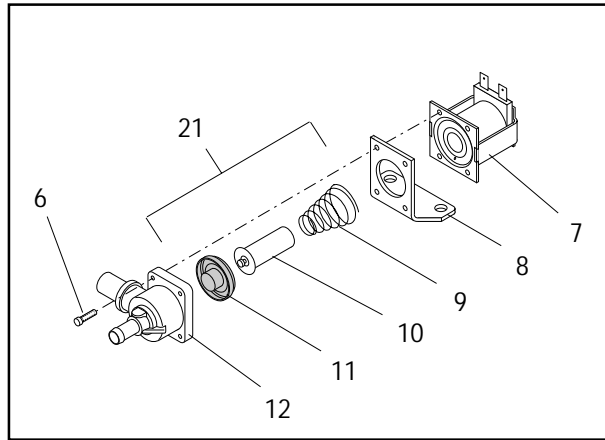
ITEM	PART NO.	QTY.	DESCRIPTION
1	-----	2	Bracket, Tank Support (Early Models. Not available, order Late Model bracket))
	26826.0000	1	Bracket, Tank Support (Late Models)
	01315.0003	2	Screw, Truss Head Brass 8 - 32 x .375"
	00908.0000	4	Nut, Hex 8 - 32
2	20881.0000	1	Lid, Tank
	00908.0000	14	Nut, Hex 8 - 32
3	20883.0000	1	Gasket, Tank
4	20951.1000	1	Tank
5	20201.2600	2	Bracket, Tank Mounting (Bottom)
	00971.0000	4	Nut, Keps 10 - 32
	02308.0000	8	Screw, Pan Head 8 - 32 x .375"



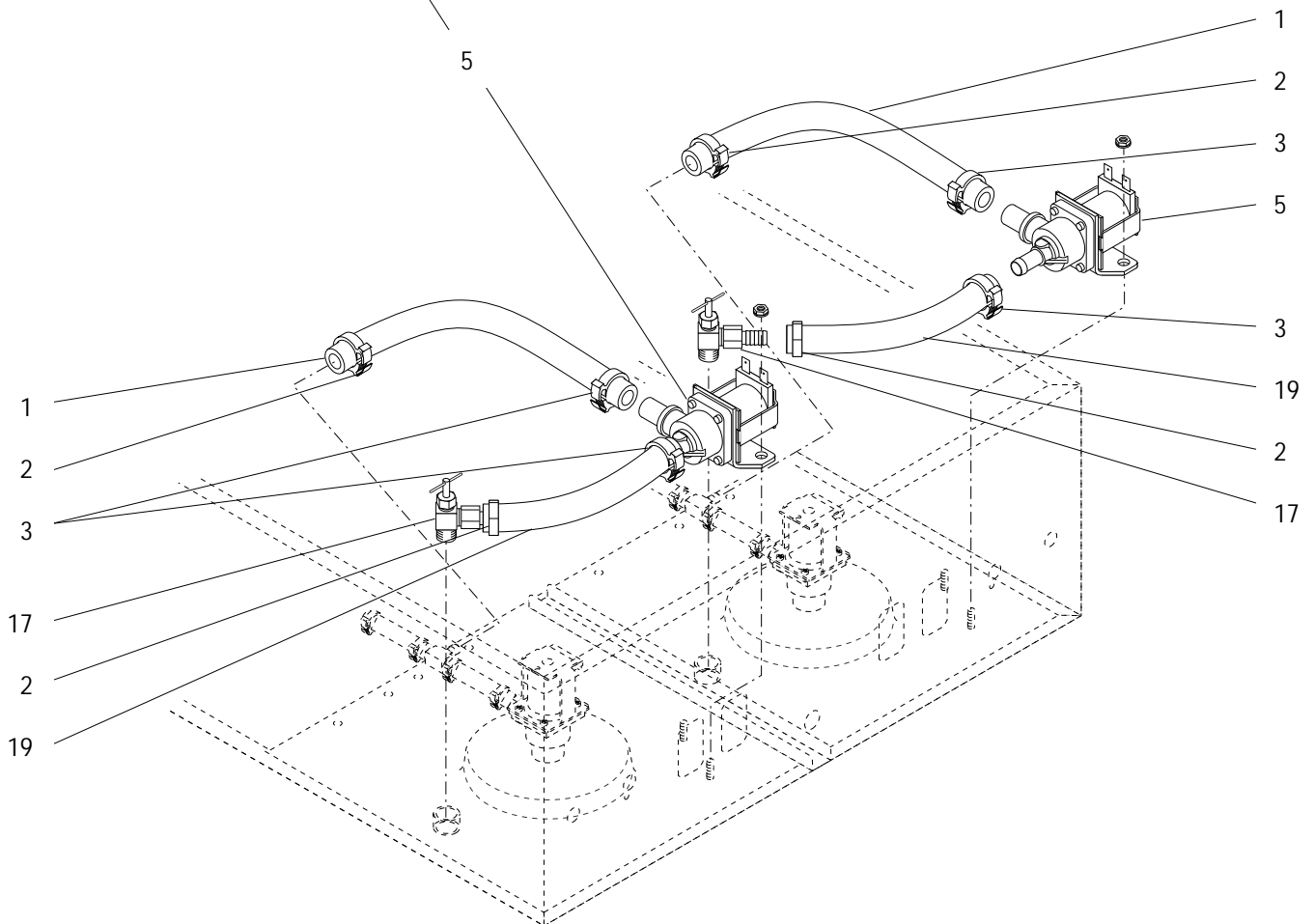
STRAINER/FLOW CONTROL - SOLENOID & LINES

ITEM	PART NO.	QTY.	DESCRIPTION
1	02536.0000	1	Grommet, .375" I.D.
2	20937.0000	1	Tube, Tank Fill
3	20977.1000	1	Hose Assy, Solenoid to Tank
4	00620.0000	1	Clamp, Hose Retaining
	02308.0000	1	Screw, Pan Head 8 - 32 x .375"
5	00950.0000	1	Spacer, Hose Clamp
6	20201.4301	1	Bracket, Solenoid Mounting
	02308.0000	2	Screw, Pan Head 8 - 32 x .375"
7	00400.0001	1	Elbow, Male .250" Flare x .125" MPT
8	01085.0000	1	Solenoid Valve Assy, 120V
	01327.0000	2	Screw, Pan Head 10 - 32 x .375"
	01502.0000	2	Lockwasher, Split #10
9	01101.0000	1	Solenoid Valve Coil, 120V
10	01111.0000	1	Solenoid Valve Repair Kit
11	01079.0000	1	Solenoid Valve Base
12	01116.0000	1	Sleeve Assy, Solenoid
13	00402.0001	1	Connector, .250" Flare x .125" MPT
14	25134.0000	1	Tube Assy, Bulkhead to Solenoid
15	00463.0000	1	Nut, Hex .438" - 20
16	01532.0000	1	Lockwasher, Internal Tooth .438" I.D.
17	00459.0000	1	Bulkhead Fitting, .250" Flare
18	00310.0002	1	Tube Assy, Flow Control to Bulkhead
19	22300.0750	1	Strainer/Flow Control Assy (Includes items 20 thru 25)
20	01154.0000	1	Flow Control Outlet
21	01155.0000	1	Flow Control Gasket
22	20526.1750	1	Flow Washer, .750 GPM
23	-----	1	Body (Not Available order item 19)
24	23721.0000	1	Screen
25	22249.0000	1	End Cap, Water Strainer

Solenoid Valve Repair Parts

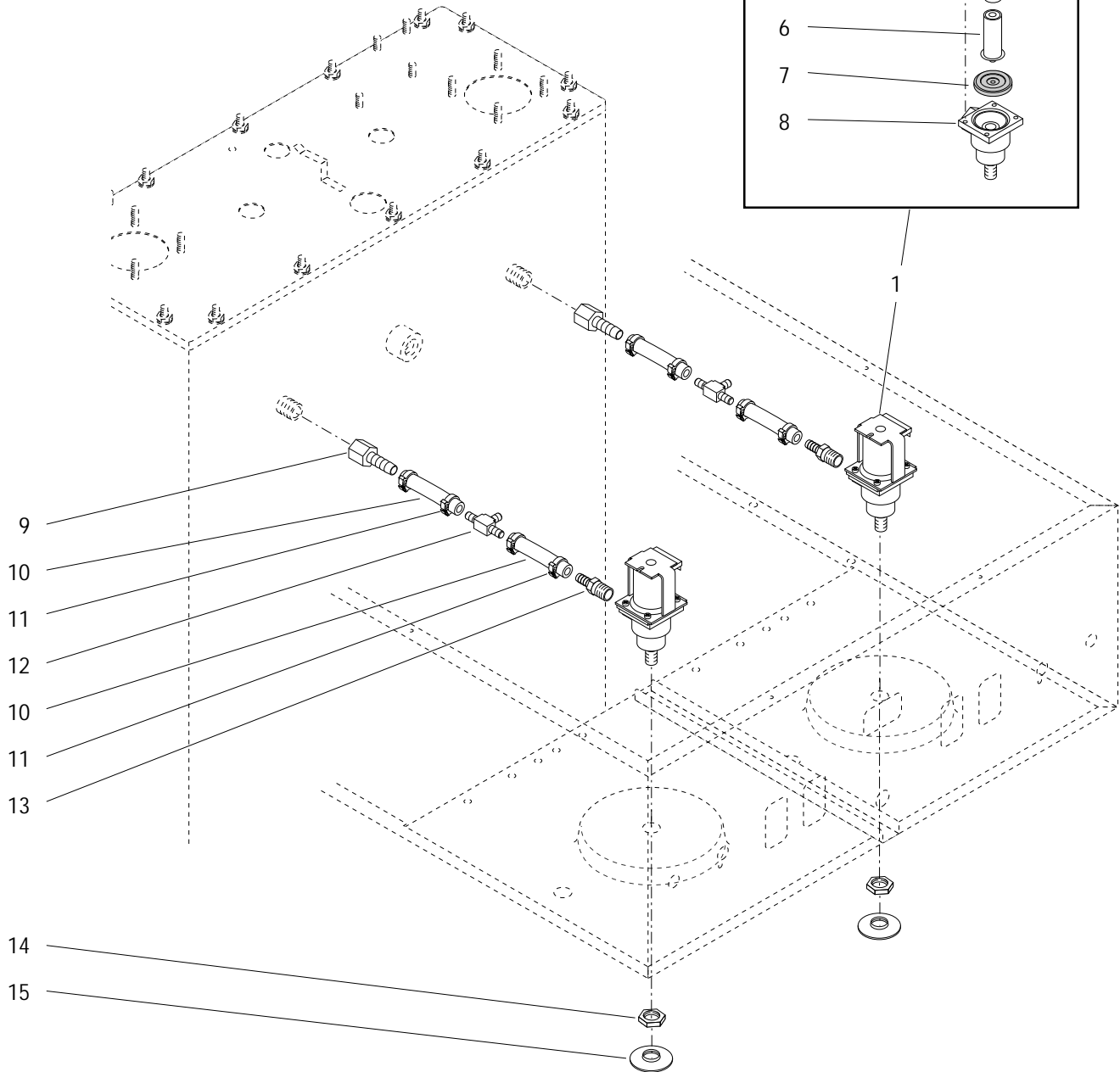
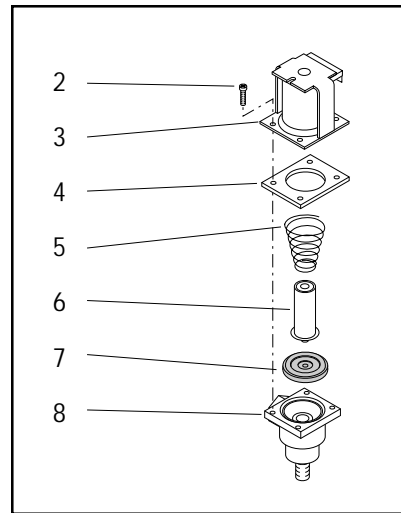


EARLY MODELS



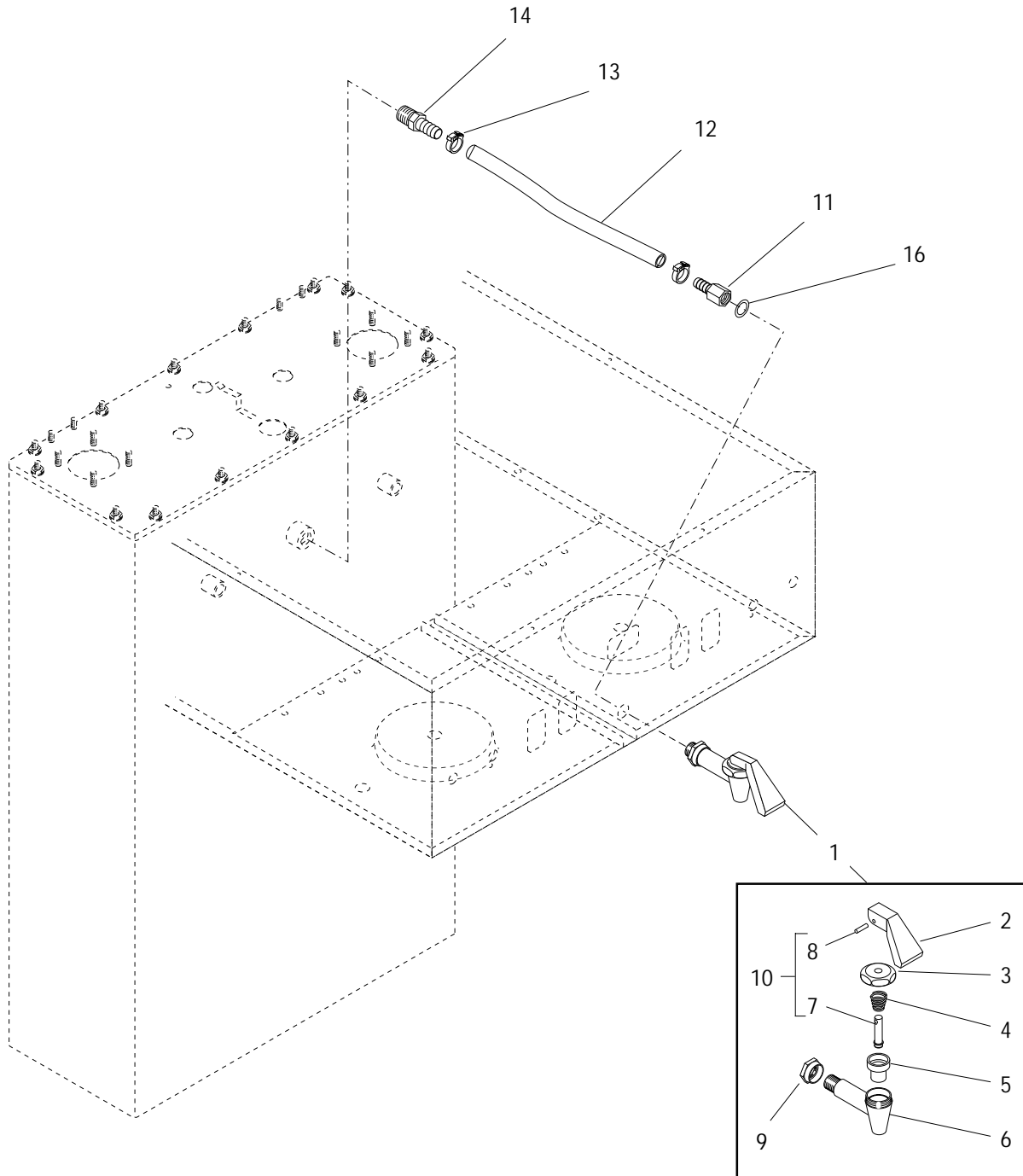
WATER BY-PASS

ITEM	PART NO.	QTY.	DESCRIPTION	
1	-----	2	Tube, Silicone .375" I.D. x .62" O.D. x 7.25" (Order item 21)	
2	12422.0001	4	Clamp, Hose .59"/.66" I.D. (4 additional required on Early Models)	
3	12422.0005	4	Clamp, Hose .62"/.71" I.D. (Late Models only)	
4	21136.0001	2	Fitting, Barb .375" x .25" MPT (Early models only)	
5	-----	2	Valve Assy, By-Pass 120V	<div style="display: flex; align-items: center;"> <div style="margin-right: 10px;"> <p>Early models. Not available order late model valve assy</p> <p>Late models</p> </div> <div style="font-size: 2em;">}</div> <div style="margin-left: 10px;"> <p>Includes items 6 thru 12</p> </div> </div>
	-----	2	Valve Assy, By-Pass 200V	
	-----	2	Valve Assy, By-Pass 220/240V	
	27370.0000	2	Valve Assy, By-Pass 120V	
	27370.0001	2	Valve Assy, By-Pass 200V	
	27370.0002	2	Valve Assy, By-Pass 220/240V	
	00970.0000	4	Nut, Keps 8 - 32	
6	-----	4	Screw, 8 - 32	
7	22305.0000	1	Coil Assy, By-Pass Valve 120V	<div style="display: flex; align-items: center;"> <div style="margin-right: 10px;"> <p>Early models</p> <p>Late models. Not available order item 5</p> </div> <div style="font-size: 2em;">}</div> </div>
	22305.0001	1	Coil Assy, By-Pass Valve 200V	
	22305.0002	1	Coil Assy, By-Pass Valve 220/240V	
	-----	1	Coil Assy, By-Pass Valve 120V	
	-----	1	Coil Assy, By-Pass Valve 200V	
	-----	1	Coil Assy, By-Pass Valve 220/240V	
8	-----	1	Bracket (Not available order item 5)	
9	-----	1	Spring (Not available order item 22)	
10	-----	1	Plunger (Not available order item 22)	
11	23255.0000	1	Diaphragm	
12	-----	1	Body (Not available order item 5)	
13	-----	2	Tube, Silicone .375" I.D. x .62" O.D. x 2.0" (Order item 21)	<div style="display: flex; align-items: center;"> <div style="margin-right: 10px;"> <p>Early models only. Can use items 2, 3, 17 & 19</p> </div> <div style="font-size: 2em;">}</div> </div>
14	27170.0001	2	Reducer Barb .375" x .25"	
15	-----	2	Tube, Silicone .25" I.D. x .50" O.D. x 2.40" (Order item 20)	
16	12422.0000	4	Clamp, Hose .47"/.54" I.D.	
17	-----	2	Valve Assy, Needle By-Pass .25" Barb (Early models. Use late model valve & item	
19)	20945.0002	2	Valve Assy, Needle By-Pass .375" Barb (Late models)	
18	-----	2	Tube, Silicone .25" I.D. x .50" O.D. x 4.0" (Early models. Can use items 2, 3, 17 & 19)	
19	-----	2	Tube, Silicone .375" I.D. x .62" O.D. x 4.75" (Order item 21) (Late models)	
20	11707.1000	1	Tube, Silicone .25" I.D. x 12.0"	<div style="display: flex; align-items: center;"> <div style="margin-right: 10px;"> <p>Not illustrated</p> </div> <div style="font-size: 2em;">}</div> </div>
	11707.1001	1	Tube, Silicone .25" I.D. x 36.0"	
	11707.1002	1	Tube, Silicone .25" I.D. x 120.0"	
21	20976.1000	1	Tube, Silicone .375" I.D. x 12.0"	
	20976.1001	1	Tube, Silicone .375" I.D. x 36.0"	
	20976.1002	1	Tube, Silicone .375" I.D. x 120.0"	
22	11517.0008	-	Valve Repair Kit (Includes one each of items 9, 10 & 11)	



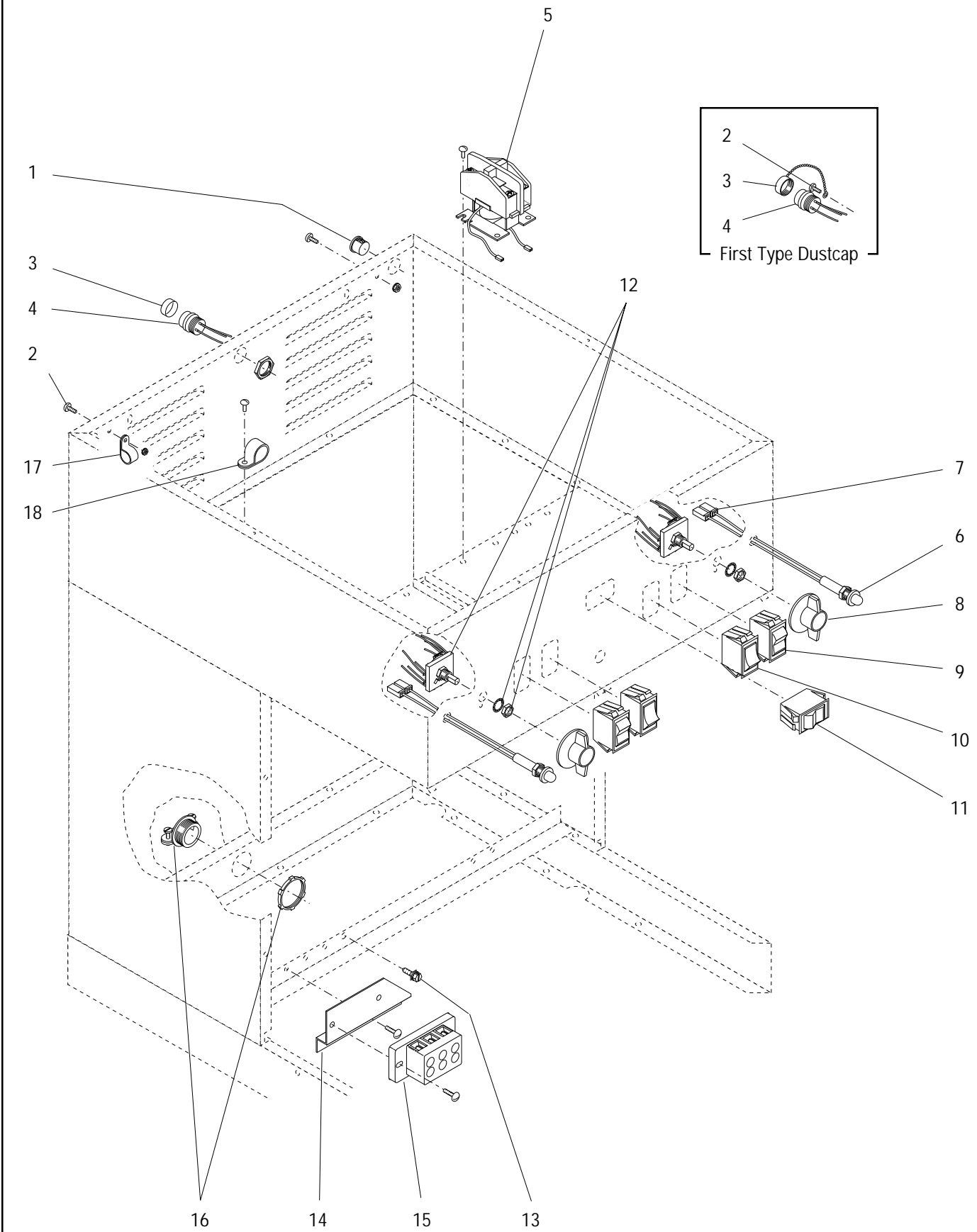
DISPENSE VALVE & SPRAYHEAD

ITEM	PART NO.	QTY.	DESCRIPTION	
1	26846.0000	2	Valve Assy, Sprayhead 120V	} Includes items 2 thru 8
	26846.0001	2	Valve Assy, Sprayhead 200V	
	26846.0002	2	Valve Assy, Sprayhead 220/240V	
2	23254.0000	4	Screw, 8 - 32	
3	22305.0000	1	Coil Assy, Dispensing Valve 120V	
	22305.0001	1	Coil Assy, Dispensing Valve 200V	
	22305.0002	1	Coil Assy, Dispensing Valve 220/240V	
4	23256.0000	1	Spacer Plate	
5	-----	1	Spring (Not available order item 17)	
6	-----	1	Plunger (Not available order item 17)	
7	23255.0000	1	Diaphragm	
8	-----	1	Body (Not available order item 1)	
9	26809.0001	2	Fitting, .38" Barb x .25" FPT	
10	-----	4	Tube, Silicone .38" I.D. x .62" O.D. x 2.25" (Order item 16)	
11	12422.0001	8	Clamp, Hose .59"/.66" I. D.	
12	06866.0000	2	Fitting, Tee .38" Barb	
13	21136.0001	2	Fitting, Barb .375" x .25" MPT	
14	01075.0000	2	Nut, Hex .438" - 20	
15	01082.0002	2	Sprayhead	
16	20976.1000	1	Tube, Silicone .375" I.D. x 12.0"	} Not illustrated
	20976.1001	1	Tube, Silicone .375" I.D. x 36.0"	
	20976.1002	1	Tube, Silicone .375" I.D. x 120.0"	
17	11517.0008	-	Valve Repair Kit (Includes one each of items 5, 6 & 7)	



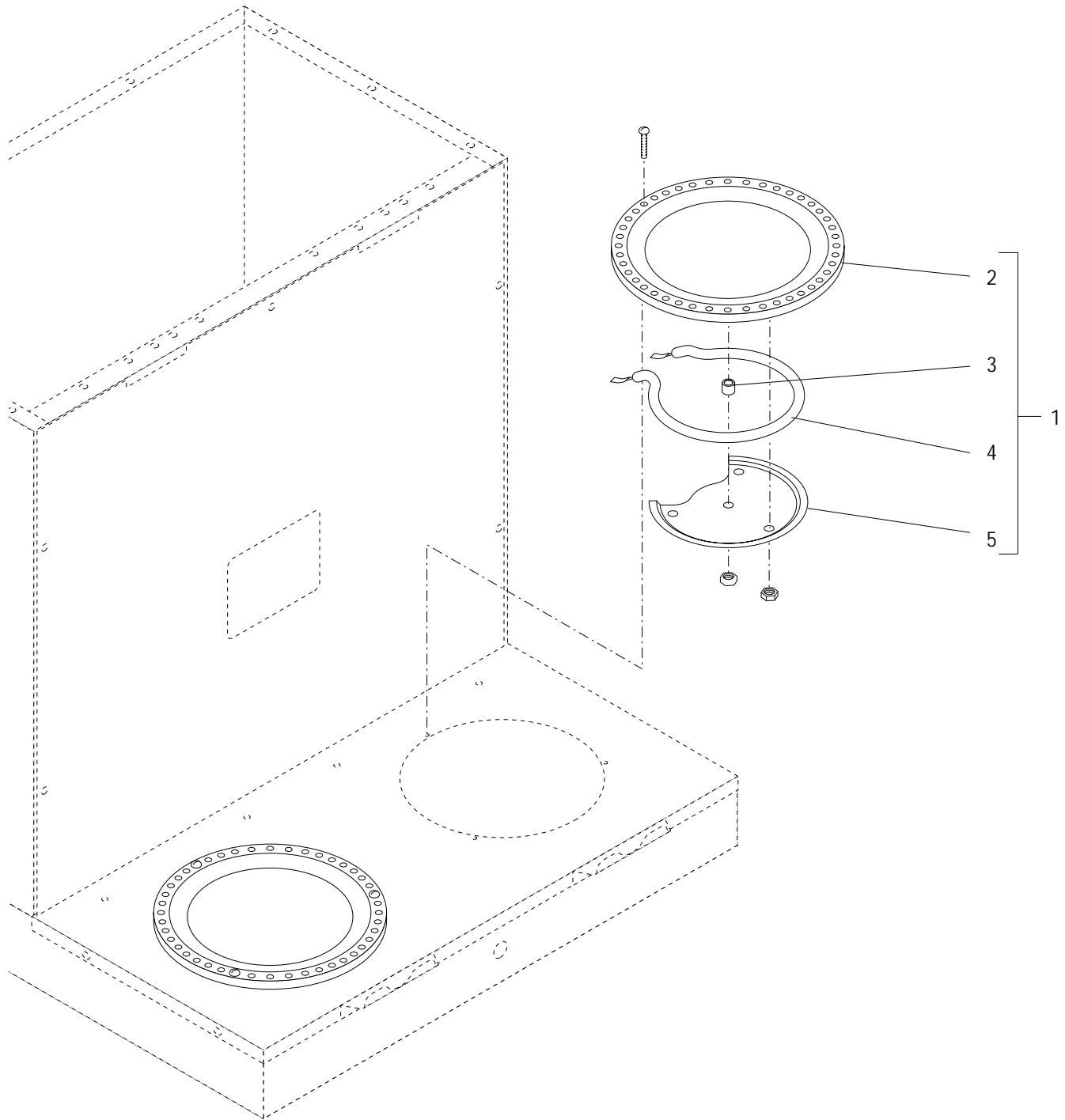
FAUCET

ITEM	PART NO.	QTY.	DESCRIPTION
1	02596.1007	1	Faucet Assy, Brass (Includes items 2 thru 9)
2	02861.0000	1	Handle, Faucet
3	02854.0001	1	Bonnet, Faucet
4	02595.0000	1	Spring, Faucet
5	02766.0000	1	Seat Cup, Faucet
6	02856.0004	1	Body, Faucet
7	02852.0000	1	Stem, Faucet
8	02858.0000	1	Pin, Spring .125" Dia. x .50"
9	02850.0001	1	Jam Nut, Faucet
10	02594.0000	1	Faucet Stem W/Pin (Includes items 7 & 8)
11	12437.0000	1	Adapter, Barb (For early models also order item 16)
12	-----	1	Tube, Silicone .38" I.D. x .62" O.D. x 10.25" (Order item 15)
13	12422.0001	2	Clamp, Hose .59" x .66" I.D.
14	21136.0001	1	Fitting, Barb .375" x .25" MPT
15	20976.1000	1	Tube, Silicone .38" I.D. x .62" O.D. x 12.0"
	20976.1001	1	Tube, Silicone .38" I.D. x .62" O.D. x 36.0"
	20976.1002	1	Tube, Silicone .38" I.D. x .62" O.D. x 120.0"
			} Not Illustrated
16	27574.0000	1	Washer, Sealing (Late models)
17	28706.0002	-	Faucet Repair Kit (Includes items 2,4,5,8 & 10)



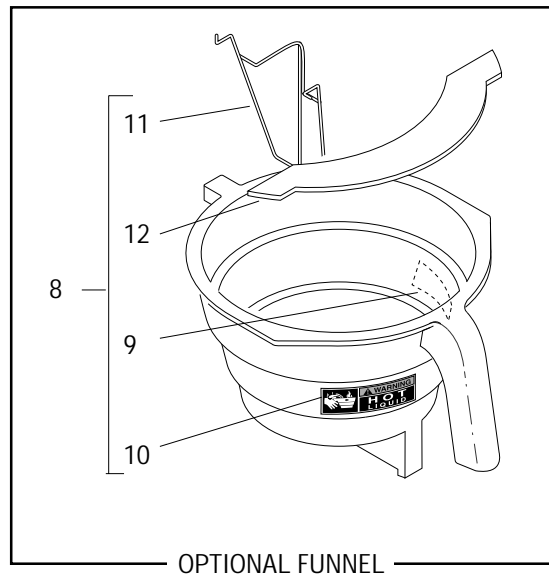
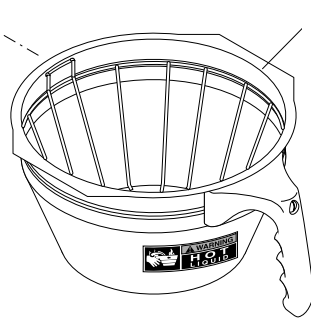
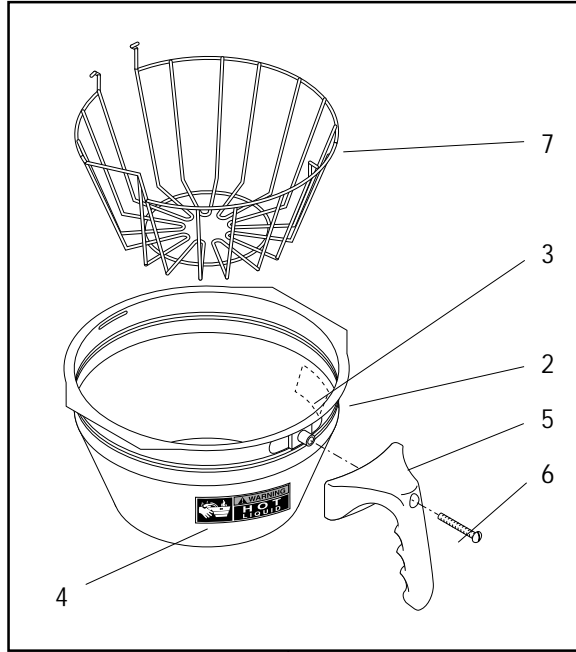
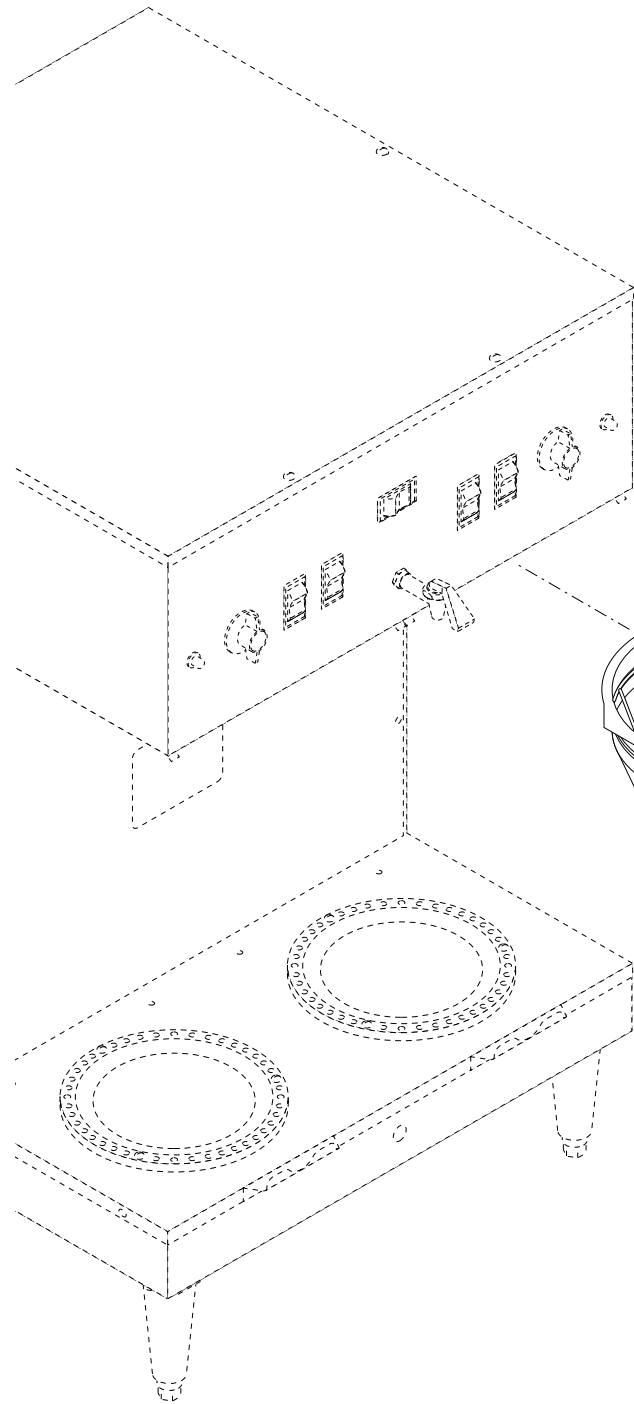
ELECTRICAL CONTROLS AND READY LIGHT

ITEM	PART NO.	QTY.	DESCRIPTION	
1	00669.0000	2	Plug, Hole (Use as required)	
2	01382.0005	1	Screw, Truss Head Brass 6 - 32 x .375"	} 2 additional used on early models
	00973.0000	1	Nut, Keps 6 - 32	
3	-----	1	Dustcap W/Chain (First type. Not available order second type Dustcap)	
	27657.0000	1	Dustcap, Socket (Second type)	
4	12274.0002	1	Socket Assy W/Leads, Interface	
5	06335.0000	1	Contactor Assy, 120V Coil	
	01327.0000	2	Screw, Pan Head 10 - 32 x .375"	
6	12984.0009	2	Light Assy, 120V (Includes 2 of item 7)	
7	04243.0000	4	Terminal Housing, Receptacle	
8	12246.0001	2	Knob, Rotary Switch	
	02338.0000	2	Setscrew, Locking 8 - 32 x .25"	
9	02753.0000	2	Switch, On/Off	
10	02628.0000	2	Switch, Momentary - Start	
11	05789.0000	1	Switch, Selector	
12	20969.0001	2	Switch Assy, Rotary (Includes mounting nut & washer)	
13	01309.0000	1	Ground Screw W/Terminal Washer 10 - 32 x .50"	
14	21120.0000	1	Bracket, Terminal Block Mounting	
	02308.0000	2	Screw, Pan Head 8 - 32 x .375"	
15	07038.0000	1	Terminal Block, 3 Pole (120/240V)	
	01317.0000	2	Screw, Truss Head 8 - 32 x .50"	
16	01590.0000	1	Connector, Cable	
17	05920.0000	1	Clamp, Cable .250" I.D.	
18	00603.0000	1	Clamp, Cable .438" I.D.	
19	26802.0000	1	Wiring Harness, Main (120/240)	} Not illustrated
20	23904.0000	1	Wiring Harness, Interface Switch	
21	21012.0006	1	Lead, Elect. Red 30.0" (Contactor to Left Heater)	
22	21012.0007	1	Lead, Elect. Red 12.0" (Contactor to Right Heater)	
23	21012.0008	1	Lead, Elect. Blk 20.0" (Contactor to Left Heater)	
24	21012.0009	1	Lead, Elect. Blk 18.0" (Contactor to Right Heater)	



WARMER ASSEMBLIES

ITEM	PART NO.	QTY.	DESCRIPTION
1	03668.0000	2	Warmer Assy, Blk 130W 120V (Includes items 2 thru 5)
	01303.0001	6	
2	03656.0000	1	Warmer Dish, Blk - 45 Hole
3	13042.0001	1	Spacer, .174" I.D. x .188"
4	01225.0000	1	Warmer Element, 130W 120V
5	05212.0000	1	Plate, Warmer Retainer
	00970.0000	2	



OPTIONAL FUNNEL

FUNNEL

ITEM	PART NO.	QTY.	DESCRIPTION
1	20201.1203	2	Funnel Assy, Brass (Includes Items 2 thru 7)
2	24462.0001	1	Funnel W/Decals (Includes items 3 & 4)
3	03408.0000	1	Decal, Caution-Remove Funnel
4	03409.0000	1	Decal, Caution-Hot Liquid
5	20201.1100	1	Handle, Funnel-Black
6	12499.0001	1	Screw, Round Head Brass .25" - 20 x 1.50"
7	20201.0801	1	Filter Basket
8	22735.0001	1	Funnel Assy, Smoke (Includes items 9,10,11 & 12)
9	03408.0000	1	Decal, Caution-Remove Funnel
10	03409.0000	1	Decal, Caution-Hot Liquid
11	21911.0000	1	Funnel Adapter, Water By-Pass
12	32965.0000	1	Splash Guard

NUMERICAL INDEX

PART NO.	PAGE NO.	PART NO.	PAGE NO.	PART NO.	PAGE NO.	PART NO.	PAGE NO.
00310.0002	15	02753.0000	23	20203.0100	11	26846.0000	19
00400.0001	15	02766.0000	21	20526.1750	15	26846.0001	19
00402.0001	15	02850.0001	21	20762.0000	9	26846.0002	19
00459.0000	15	02852.0000	21	20881.0000	13	26916.0001	7
00463.0000	15	02854.0001	21	20883.0000	13	26949.0000	7
00603.0000	23	02856.0004	21	20886.0001	5	26971.1000	7
00619.0008	5	02858.0000	21	20914.0001	5	27044.0005	5
00620.0000	15	02861.0000	21	20922.1000	11	27150.0000	7
00656.0000	5	03011.0000	5	20922.1002	11	27170.0001	17
00658.0000	5	03236.1001	11	20936.1000	11	27370.0000	17
00669.0000	23	03236.1002	11	20937.0000	15	27370.0001	17
00720.0000	9	03236.1003	11	20945.0002	17	27370.0002	17
00831.0000	5	03359.0000	5	20948.0001	9	27461.0000	11
00908.0000	11,13	03633.0000	11	20951.1000	13	27574.0000	21
00932.0000	11	03656.0000	25	20966.0004	5	27657.0000	23
00946.0000	11	03668.0000	25	20969.0001	23	27743.0000	11
00950.0000	15	03803.0000	11	20976.1000	17,19,21	28377.0000	9
00965.0000	11	03807.0000	11	20976.1001	17,19,21	32400.0002	9
00970.0000	17,25	03993.0000	7	20976.1002	17,19,21	32540.0000	7
00971.0000	13	04243.0000	23	20977.1000	15	32965.0000	27
00973.0000	23	04314.0001	9	21012.0006	23		
01075.0000	19	05212.0000	25	21012.0007	23		
01079.0000	15	05789.0000	23	21012.0008	23		
01082.0002	19	05920.0000	23	21012.0009	23		
01085.0000	15	06335.0000	23	21106.0000	5		
01101.0000	15	06866.0000	19	21120.0000	23		
01111.0000	15	07038.0000	23	21136.0001	17,19,21		
01116.0000	15	07073.0000	9	22249.0000	15		
01154.0000	15	07074.1026	9	22300.0750	15		
01155.0000	15	10044.0000	7	22305.0000	17,19		
01225.0000	25	10864.0005	5	22305.0001	17,19		
01303.0001	25	11517.0008	17,19	22305.0002	17,19		
01309.0000	23	11591.0000	7	22313.0006	5		
01311.0000	5	11707.1000	17	22728.0000	11		
01315.0003	5,13	11707.1001	17	23254.0000	19		
01317.0000	23	11707.1002	17	23255.0000	17,19		
01327.0000	15,23	12246.0001	23	23256.0000	19		
01347.0000	9	12274.0002	23	23717.0001	11		
01382.0005	5,23	12364.0000	7	23721.0000	15		
01388.0000	9	12368.0002	27	23904.0000	23		
01501.0000	11	12369.0002	27	24396.0002	5		
01502.0000	15	12398.0002	11	24455.0001	5		
01510.0000	9	12422.0000	11,17	24458.0001	5		
01511.0000	9	12422.0001	17,19,21	24462.0001	27		
01532.0000	15	12422.0005	17	24486.1000	9		
01533.0000	9	12437.0000	21	25062.0000	5		
01590.0000	23	12499.0001	27	25068.0000	5		
01592.0000	9	12984.0009	23	25070.0000	5		
02308.0000	5,9,13,15,23	13042.0001	25	25071.0000	5		
02324.0002	5	13255.0001	7	25151.0000	5		
02338.0000	23	20201.0801	27	25341.0000	15		
02536.0000	11,15	20201.1100	27	25370.0000	5		
02594.0000	21	20201.1203	27	26622.0001	11		
02595.0000	21	20201.2600	13	26802.0000	23		
02596.1007	21	20201.4301	15	26809.0001	19		
02628.0000	23	20201.5600	5	26826.0000	13		