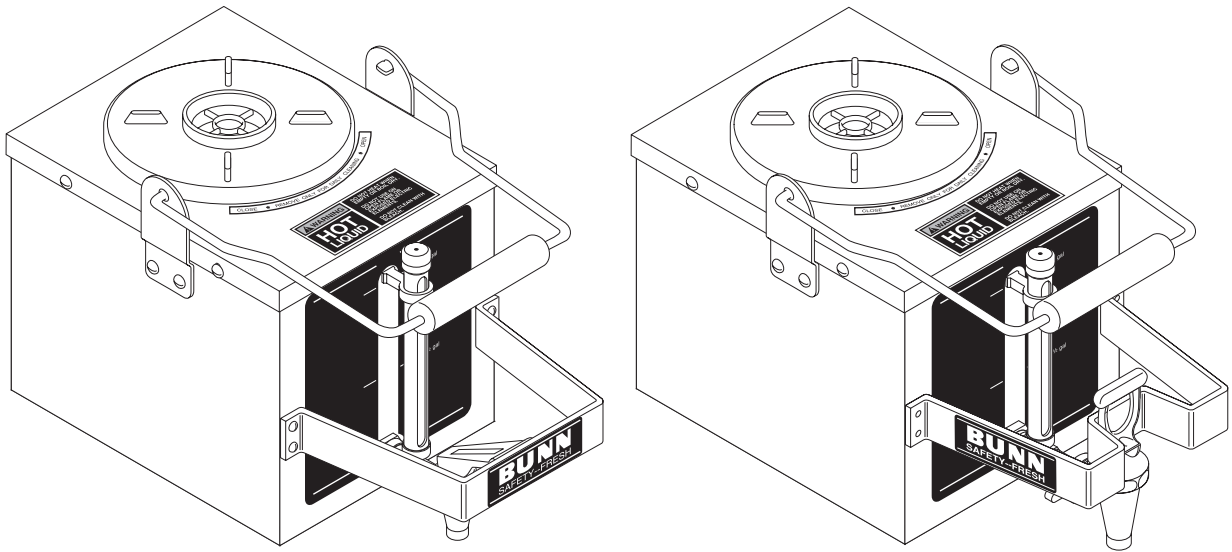


BUNN®

1 GPR & 1 GPR-FF



ILLUSTRATED PARTS CATALOG

Designs, materials, weights, specifications, and dimensions for equipment or replacement parts are subject to change without notice.

BUNN-O-MATIC CORPORATION

POST OFFICE BOX 3227

SPRINGFIELD, ILLINOIS 62708-3227

PHONE: (217) 529-6601 FAX: (217) 529-6644

BUNN-O-MATIC COMMERCIAL PRODUCT WARRANTY

Bunn-O-Matic Corp. ("BUNN") warrants equipment manufactured by it as follows:

- 1) All equipment other than as specified below: 2 years parts and 1 year labor.
- 2) Electronic circuit and/or control boards: parts and labor for 3 years.
- 3) Compressors on refrigeration equipment: 5 years parts and 1 year labor.
- 4) Grinding burrs on coffee grinding equipment to grind coffee to meet original factory screen sieve analysis: parts and labor for 3 years or 30,000 pounds of coffee, whichever comes first.

These warranty periods run from the date of installation BUNN warrants that the equipment manufactured by it will be commercially free of defects in material and workmanship existing at the time of manufacture and appearing within the applicable warranty period. This warranty does not apply to any equipment, component or part that was not manufactured by BUNN or that, in BUNN's judgment, has been affected by misuse, neglect, alteration, improper installation or operation, improper maintenance or repair, damage or casualty. This warranty is conditioned on the Buyer 1) giving BUNN prompt notice of any claim to be made under this warranty by telephone at (217) 529-6601 or by writing to Post Office Box 3227, Springfield, Illinois 62708-3227; 2) if requested by BUNN, shipping the defective equipment prepaid to an authorized BUNN service location; and 3) receiving prior authorization from BUNN that the defective equipment is under warranty.

THE FOREGOING WARRANTY IS EXCLUSIVE AND IS IN LIEU OF ANY OTHER WARRANTY, WRITTEN OR ORAL, EXPRESS OR IMPLIED, INCLUDING, BUT NOT LIMITED TO, ANY IMPLIED WARRANTY OF EITHER MERCHANTABILITY OR FITNESS FOR A PARTICULAR PURPOSE. The agents, dealers or employees of BUNN are not authorized to make modifications to this warranty or to make additional warranties that are binding on BUNN. Accordingly, statements by such individuals, whether oral or written, do not constitute warranties and should not be relied upon.

If BUNN determines in its sole discretion that the equipment does not conform to the warranty, BUNN, at its exclusive option while the equipment is under warranty, shall either 1) provide at no charge replacement parts and/or labor (during the applicable parts and labor warranty periods specified above) to repair the defective components, provided that this repair is done by a BUNN Authorized Service Representative; or 2) shall replace the equipment or refund the purchase price for the equipment.

THE BUYER'S REMEDY AGAINST BUNN FOR THE BREACH OF ANY OBLIGATION ARISING OUT OF THE SALE OF THIS EQUIPMENT, WHETHER DERIVED FROM WARRANTY OR OTHERWISE, SHALL BE LIMITED, AT BUNN'S SOLE OPTION AS SPECIFIED HEREIN, TO REPAIR, REPLACEMENT OR REFUND.

In no event shall BUNN be liable for any other damage or loss, including, but not limited to, lost profits, lost sales, loss of use of equipment, claims of Buyer's customers, cost of capital, cost of down time, cost of substitute equipment, facilities or services, or any other special, incidental or consequential damages.

BrewWISE, BUNN Gourmet Ice, BUNN Pour-O-Matic, BUNN, Bunn-OMatic, Bunn-O-Matic, BUNNlink, BUNNserve, BUNN Espresso, DBC, Dr. Brew, Dual, EasyClear, EasyGard, Easy Pour, FlavorGard, Gourmet Ice, Gourmet Juice, High Intensity, IMIX, Infusion Series, Legendary for Quality, The Mark of Quality in Beverage Equipment Worldwide, My Café, PowerLogic, Safety-Fresh, Single, Smart Funnel, Smart Hopper, Soft Heat, SplashGard, System III, ThermoFresh, 392.AXIOM, Beverage Profit Calculator, Beverage Bar Creator, BrewLOGIC, BrewMETER, BrewWIZARD, BUNNSERVE, BUNNsource, Coffee At Its Best, Cool Froth, Digital Brewer Control, Intellisteam, Nothing Brews Like a BUNN, Pouring Profits, Pulse Wave, Quality Beverage Equipment Worldwide, Scale-Pro, Signature Series, Silver Series, Smart Heat, SmartWAVE, Tea At Its Best, The Horizontal Red Line, Titan, Ultra, are either trademarks or registered trademarks of Bunn-O-Matic Corporation.

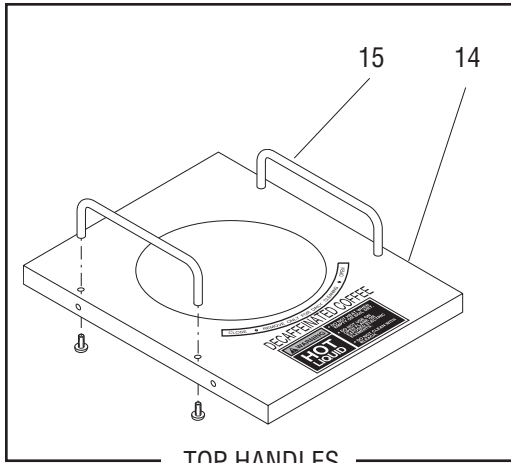
TABLE OF CONTENTS

Faucets, Sight Gage & Decals 8

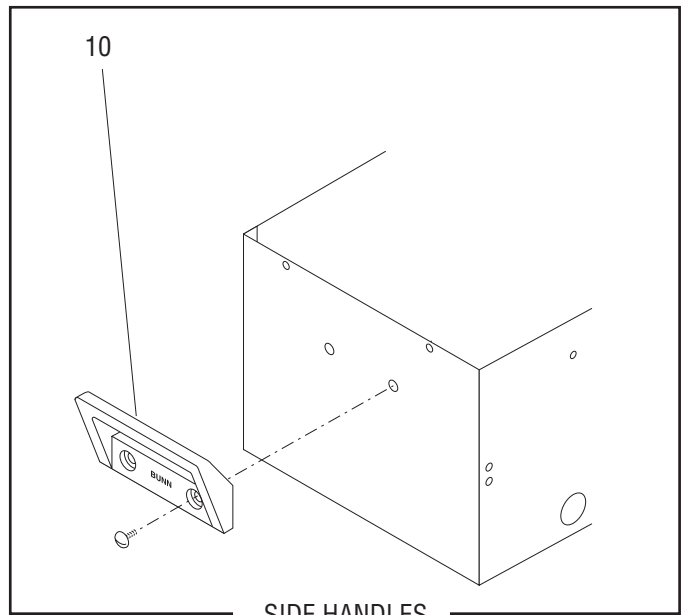
Housings, Handles, Guards & Decals..... 4

Reservoir & Lid Assembly 6

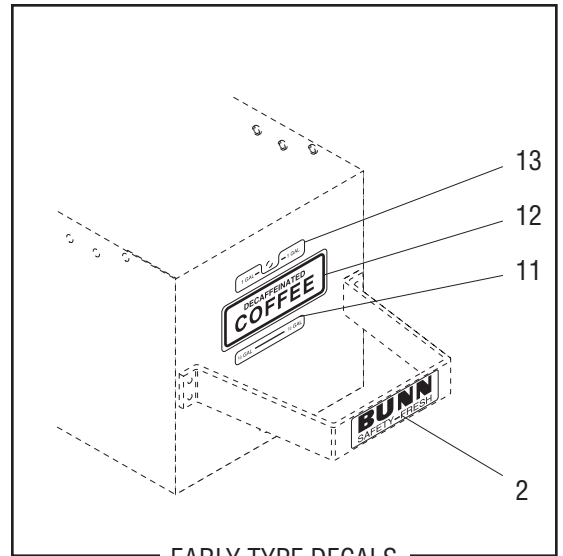
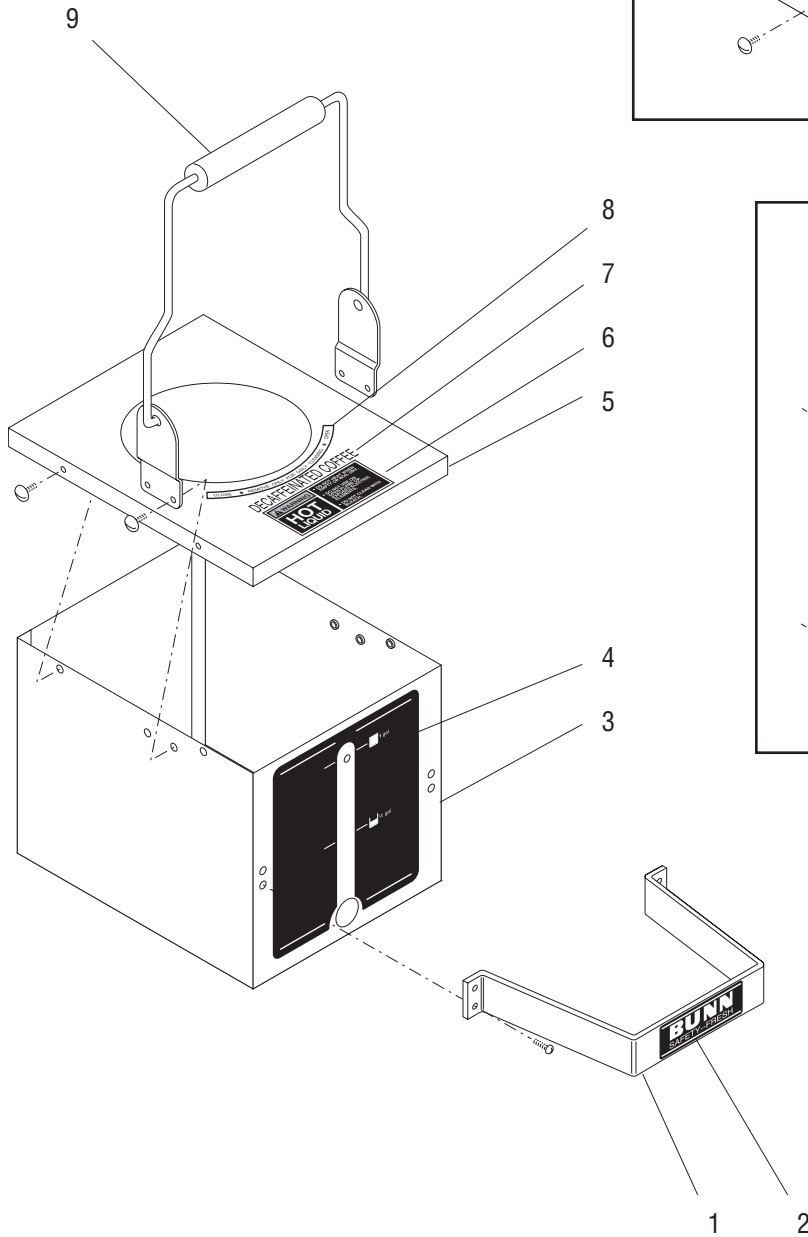
Numerical Index..... 12



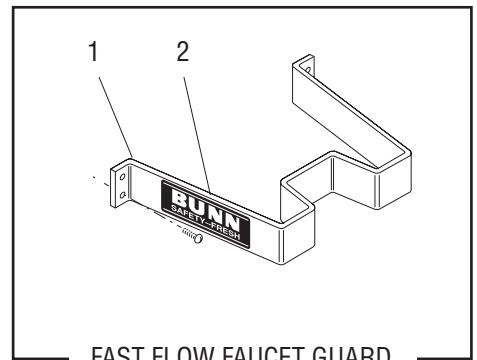
TOP HANDLES



SIDE HANDLES



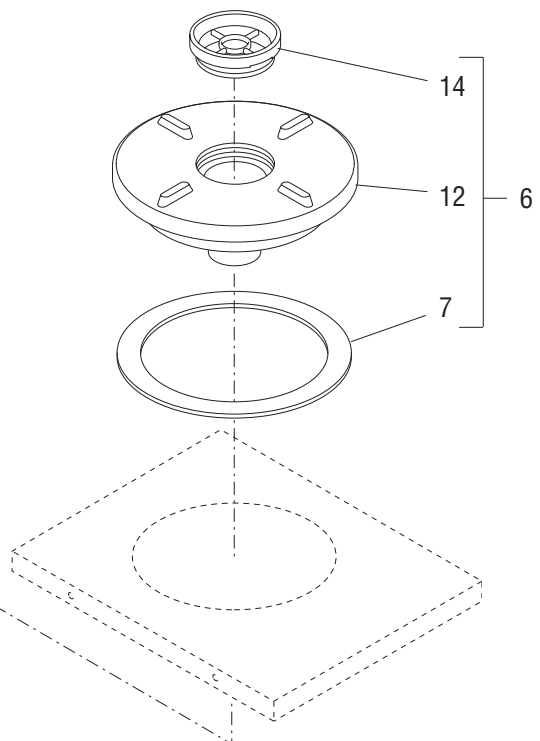
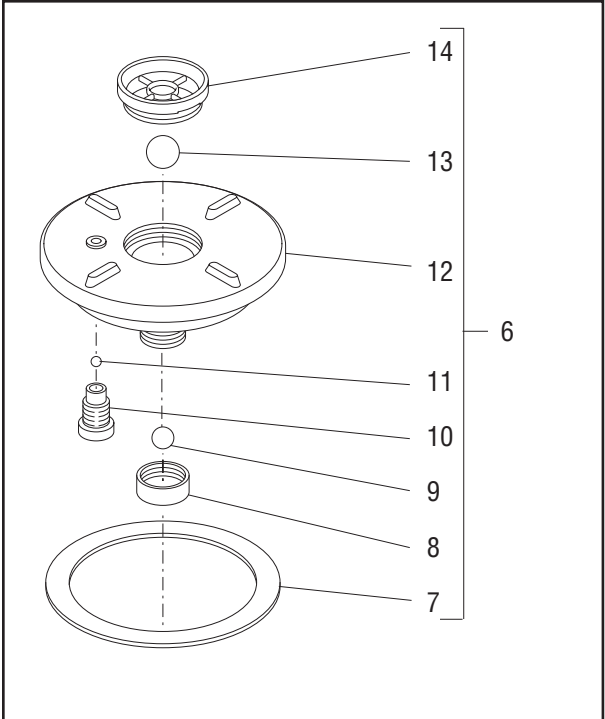
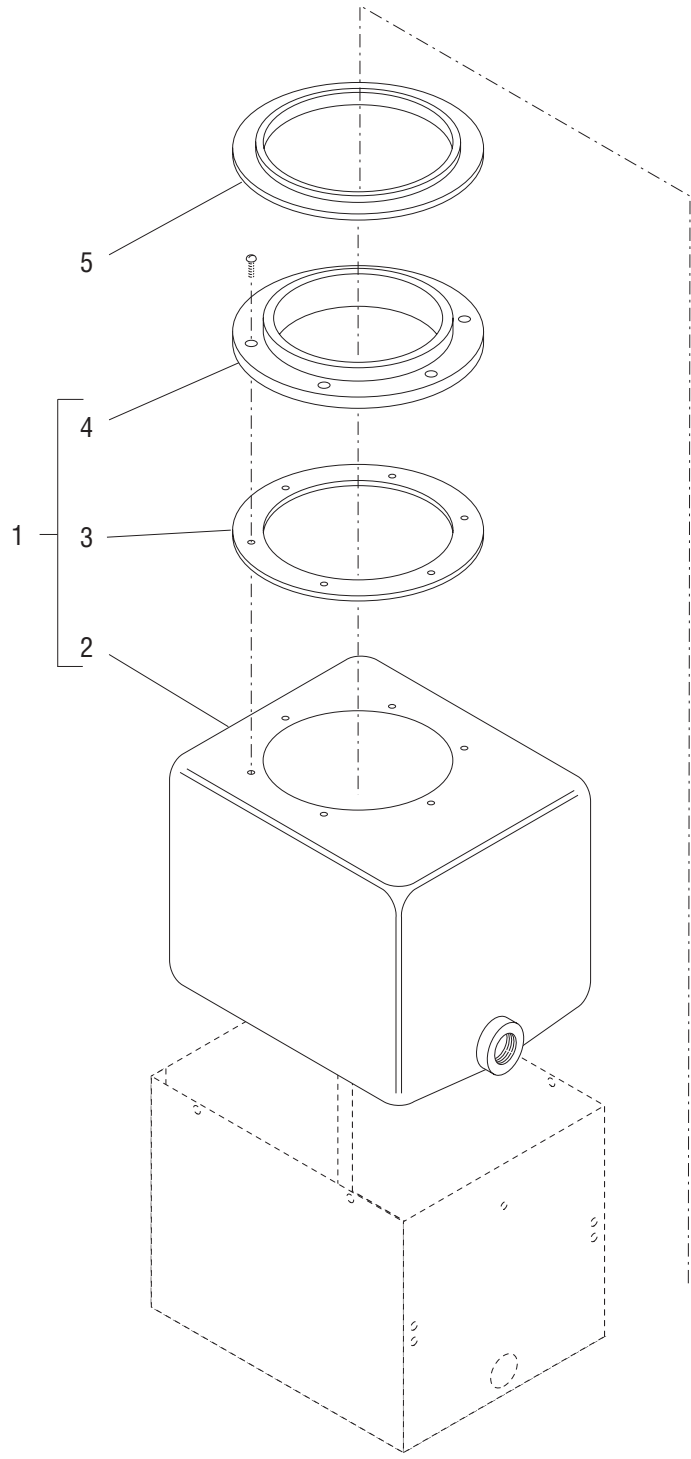
EARLY TYPE DECALS



FAST FLOW FAUCET GUARD

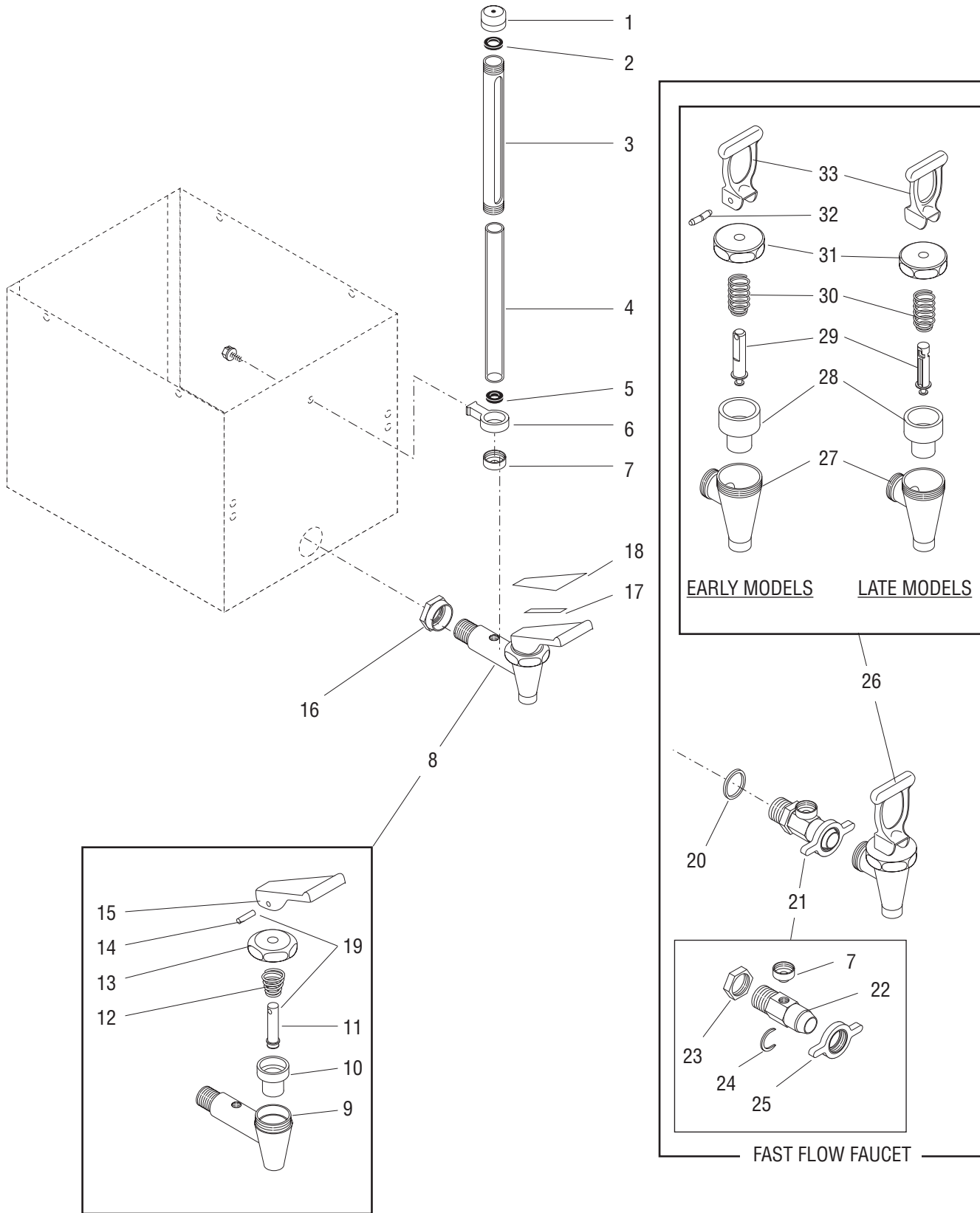
HOUSING, HANDLES, GUARDS & DECALS

| ITEM | PART NO. | QTY. | DESCRIPTION | |
|------|------------|------|---|--|
| 1 | 22206.0000 | 1 | Guard, Faucet (Self Serve Faucet) (Includes 1 of item 2) | |
| | ----- | 1 | Guard, Faucet (SST) (Fast Flow Faucet)(Not available. Order Black Guard) | |
| | 21939.0000 | 1 | Guard, Faucet (BLK) (Fast Flow Faucet)(Includes 2 of item 2) | |
| | 02329.0000 | 4 | Screw, Round Head #8 - 32 x .31" (SST) (Early) | |
| | 02329.0002 | 4 | Screw, Round Head #8 - 32 x .31" (BLK) (Late) | |
| 2 | 20968.0000 | 1 | Decal, Safety - Fresh (Two used with Fast Flow Faucet) (Effective approximately April 1994) | |
| | 12370.0000 | 1 | Decal, Safety - Fresh (Used prior to April 1994) | |
| 3 | 21921.0000 | 1 | Housing W/Decals-Fast Flow Faucet (Bail Handle) | } Includes items 4 |
| | 21926.0000 | 1 | Housing W/Decals-Fast Flow Faucet (Side Handles) | |
| | 21927.0000 | 1 | Housing W/Decals-(Self Serve Faucet) (Bail Handle) | |
| | 21928.0000 | 1 | Housing W/Decals-(Self Serve Faucet) (Side Handles) | |
| 4 | 24647.0000 | 1 | Decal, Decorative-Level Indicator (Effective approximately April 1994) | |
| 5 | 21923.0000 | 1 | Cover W/Decals (Includes items 6, 7 & 8) | |
| | 01315.0000 | 4 | Screw, Truss Head #8 - 32 x .38" | |
| 6 | 12356.0000 | 1 | Decal, Caution-Hot Liquid | |
| 7 | 00879.0000 | 1 | Decal, Decaffeinated Coffee (Install as required) | |
| 8 | 12373.0000 | 1 | Decal, Lid Removal | |
| 9 | 12825.0001 | 1 | Handle Assy, Bail (Black) | |
| | ----- | 1 | Handle Assy, Bail (Orange) (Not available order Black Handle & item 18) | |
| | 01311.0001 | 4 | Screw, Truss Head #8 - 32 x .25" Locking | |
| 10 | 03710.0002 | 2 | Handle, Side (Black) | } Optional |
| | ----- | 2 | Handle, Side (Orange) (Not available order Black Handle & item 18) | |
| | 02325.0000 | 4 | Screw, Pan Head .25"- 20 x .31" | |
| 11 | 12309.0004 | 1 | Decal, 1/2 Gal. | } Early Type Decals used prior to April 1994 |
| 12 | 07170.0000 | 1 | Decal, Decaffeinated Coffee | |
| 13 | 12309.0003 | 1 | Decal, 1 Gal. | |
| 14 | 21923.0003 | 1 | Cover w/decals (Includes items 6, 7 & 8)(Top Handles) | |
| 15 | 23954.0000 | 2 | Handle, Black | |
| | 02329.0000 | 4 | Screw, Round Head #8 - 32 x .31" (SST) | |
| 16 | 05940.0000 | 2 | Decal, Orange Dot | } (Install as required) |
| 17 | 24261.0000 | 2 | Decal, Decaffeinated (Vertical) | |
| 18 | 23956.1000 | 1 | Decaff Accessory Package (Self Serve Faucet) (Includes items 7, 16 & 17 - also see page 9) | } Not Illustrated |
| | 23956.1001 | 1 | Decaff Accessory Package (Fast Flow Faucet) (Includes items 7, 16 & 17 - also see page 9) | |



RESERVOIR & LID ASSEMBLY

| ITEM | PART NO. | QTY. | DESCRIPTION | |
|------|------------|------|---|---------------------------|
| 1 | 12346.0001 | 1 | Reservoir/Collar Assy (Self Serve Faucet) | } Includes items 2, 3 & 4 |
| | ----- | 1 | Reservoir/Collar Assy (Fast Flow Faucet) | |
| 2 | 12385.0000 | 1 | Reservoir (Self Serve Faucet) | |
| | 12385.0001 | 1 | Reservoir (Fast Flow Faucet) | |
| 3 | 12330.0000 | 1 | Gasket, Reservoir Collar | |
| 4 | 12329.0000 | 1 | Collar, Reservoir | |
| | 01380.0000 | 6 | Screw, Truss Head #6 - 32 x .50" | |
| 5 | 12331.0000 | 1 | Gasket, Top Cover | |
| 6 | ----- | 1 | Lid Assy, Reservoir (Includes items 7 thru 14) (Early models. Order late model Lid) | |
| | 12328.0000 | 1 | Lid Assy, Reservoir (Includes items 7, 12 & 14) (Late models) | |
| 7 | 12332.0000 | 1 | Gasket, Lid | |
| 8 | 12294.0000 | 1 | Retainer Cap, Vent Ball | } Early models |
| 9 | 00598.0002 | 1 | Ball, .50" Dia. | |
| 10 | 12288.0000 | 1 | Retainer Cap, Vent Ball | |
| 11 | 00598.0001 | 1 | Ball, .25" Dia. | |
| 12 | ----- | 1 | Lid, Reservoir (Early models. Order Late Model Lid) | |
| | 29690.0000 | 1 | Lid, Reservoir (Late models) | |
| 13 | 12327.0000 | 1 | Ball, 20 mm Dia. (Early models) | |
| 14 | ----- | 1 | Retainer Cap, Top Vent (Early models. Order Late Model Retainer) | |
| | 12289.0001 | 1 | Retainer Cap, Top Vent (Late models) | |

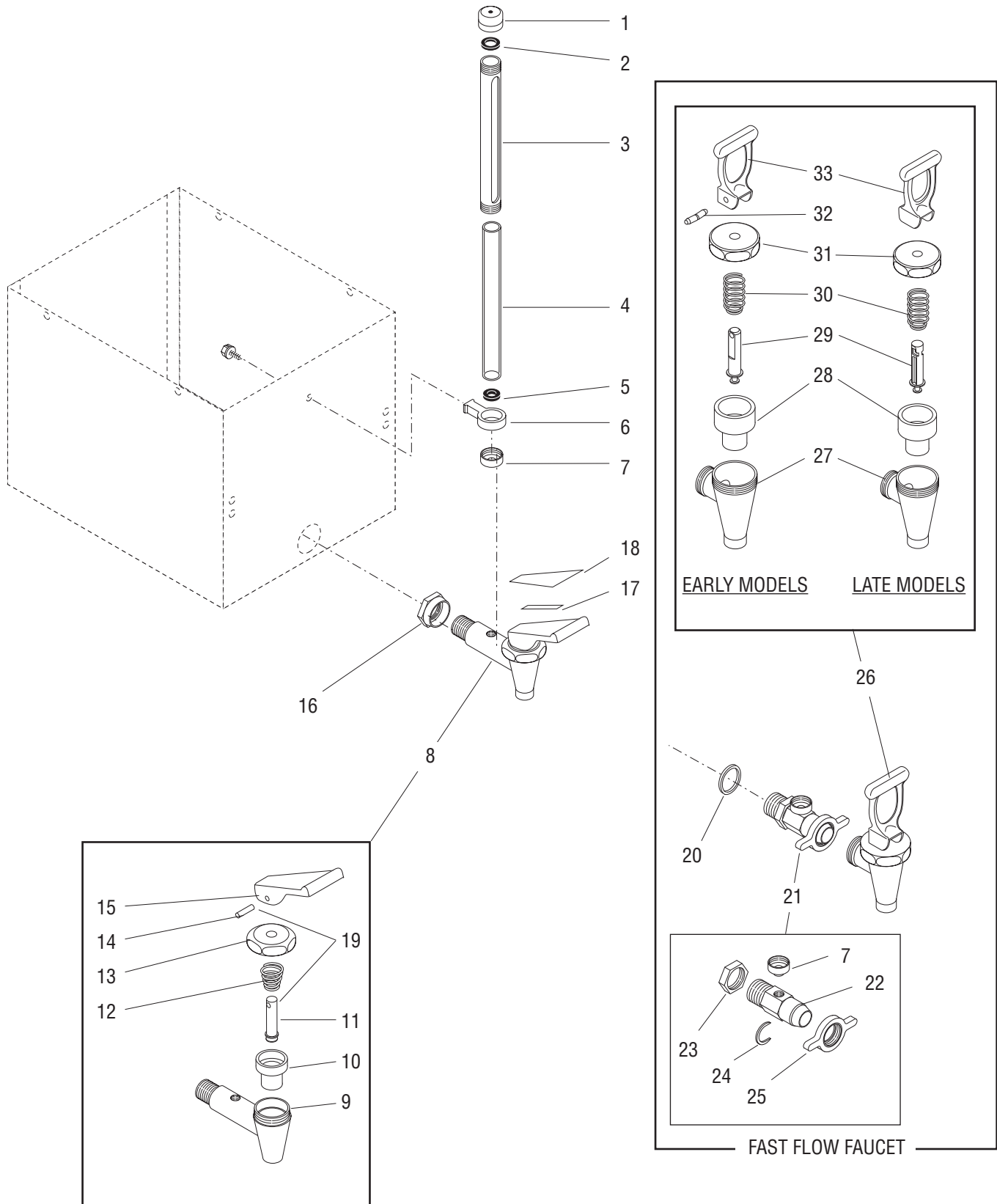


FAUCETS, SIGHT GAGE & DECALS

| ITEM | PART NO. | QTY. | DESCRIPTION |
|------|------------|------|---|
| 1 | 01293.0000 | 1 | Sight Gage Cap |
| 2 | 01291.0000 | 1 | Sight Gage Washer, Cap (Also see item 34) |
| 3 | 01217.0000 | 1 | Sight Gage Shield, 5.0" |
| 4 | 01296.1000 | 1 | Sight Gage Glass, 5.0" |
| 5 | 01292.0000 | 1 | Sight Gage Washer, Base (Also see item 34) |
| 6 | 01287.0000 | 1 | Sight Gage Brace |
| | 02330.0001 | 1 | Screw, Washer Head #10 - 24 x .38" |
| 7 | 01222.0000 | 1 | Sight Gage Base |
| 8 | 02596.1003 | 1 | Faucet Assy, Self Serve (Black Handle) (Includes items 9 thru 15) |
| | ----- | 1 | Faucet Assy, Self Serve (Orange Handle) (Not available. Order 02596.1003 Faucet Assy and 23955.0001 Faucet Handle Kit) |
| 9 | ----- | 1 | Faucet Body (Not available order item 8) |
| 10 | 02766.0000 | 1 | Faucet Seat Cup |
| 11 | 13054.0000 | 1 | Faucet Stem |
| 12 | 02595.0000 | 1 | Faucet Spring |
| 13 | 02854.0000 | 1 | Faucet Bonnet |
| 14 | 02858.0000 | 1 | Pin, Spring .125" x .50" |
| 15 | ----- | 1 | Faucet Handle (Not available order item 36) |
| 16 | 02850.0000 | 1 | Faucet Jam Nut |
| 17 | 12286.0000 | 1 | Decal, Push |
| 18 | 24260.0000 | 1 | Decal, Push (Orange) |
| 19 | 02594.0000 | 1 | Faucet Stem W/Pin (Includes items 11 & 14) |
| 20 | 20756.0000 | 1 | Faucet Shank Gasket |
| 21 | 21073.1001 | 1 | Faucet Shank W/Sight Gage Base (Includes items 7 & 22 thru 25) |
| 22 | ----- | 1 | Faucet Shank Body (Not available order item 21) |
| 23 | 20761.0000 | 1 | Faucet Shank Nut |
| 24 | 01221.0000 | 1 | Faucet Shank C-Ring |
| 25 | 03093.0001 | 1 | Faucet Wing Nut - Black (Shown) (Effective approximately March 1994) |
| | 01268.0000 | 1 | Faucet Union Nut - Chrome Hex (Not Illustrated) (Used prior to March 1994) |
| 26 | ----- | 1 | Faucet Assy, Fast Flow (BLK Handle)(Early models. Not available. Order Late Model) |
| | 03287.0003 | 1 | Faucet Assy, Fast Flow (BLK Handle)(Late models)(Includes items 27 thru 31 & 33) (Optional) |
| | 26685.0000 | 1 | Faucet Assy, Fast flow (BLK Handle)(Late models)(Includes items 27 thru 31 & 33) (Optional) |
| | 03287.0002 | 1 | Faucet Assy, Fast Flow (ORA Handle)(Early model)(Includes items 27 thru 33) |
| | ----- | 1 | Faucet Assy, Fast Flow (ORA Handle)(Late models. Not available. Order Early Model) |

(Continued)

(Continued)



FAUCETS, SIGHT GAGE & DECALS

| ITEM | PART NO. | QTY. | DESCRIPTION | |
|------|------------|------|--|--------------|
| 27 | ----- | 1 | Faucet Body (Not available order item 26) | |
| 28 | 00600.0000 | 1 | Faucet Seat Cup | |
| 29 | 01284.0000 | 1 | Faucet Stem W/Pin (Includes item 32)(Early Model Faucets) | |
| | 29164.0000 | 1 | Faucet Stem (Late Model Faucets) | |
| 30 | 00601.0000 | 1 | Faucet Spring | |
| 31 | 07127.0000 | 1 | Faucet Bonnet (Chrome)(Early Model Faucets) | |
| | 29654.0000 | 1 | Faucet Bonnet (Black Plastic)(Late Model Faucets)(Optional) | |
| | 29165.0001 | 1 | Faucet Bonnet (Black Plastic)(Late Models)(Standard) | |
| 32 | 01219.0000 | 1 | Faucet Handle Pin | |
| 33 | 07096.0002 | 1 | Faucet Handle, Black Chrome (Early Model Black Faucets) | |
| | 29163.0001 | 1 | Faucet Handle, Black Plastic (Late Model)(Optional) | |
| | 26684.0000 | 1 | Faucet Handle, Black Plastic (Late Model)(Standard) | |
| | 07101.0000 | 1 | Faucet Handle, Orange Chrome (Early Model Orange Faucets) | |
| | 29163.0002 | 1 | Faucet Handle, Orange Plastic (Late Model Orange Faucets) | |
| 34 | 01270.0000 | 1 | Gasket Set, Sight Gage (Includes 4 of item 2 & 2 of item 5) | |
| 35 | 23956.1000 | 1 | Decaffeinated Accessory Pkg (Self Serve Faucet) (Includes item 18 - also see page 3) | } Not Illust |
| | 23956.1001 | 1 | Decaffeinated Accessory Pkg (Fast Flow Faucet) (Includes items 29 & 33 (Orange) - also see page 3) | |
| 36 | 23955.0000 | 1 | Faucet Handle Kit, Black (Includes items 14, 15 & 17) | |
| | 23955.0001 | 1 | Faucet Handle Kit, Orange (Includes items 14, 15 & 17) | |
| | 23955.0002 | 1 | Faucet Handle Kit, Black W/Orange Decal (Includes items 14, 15 & 18) | |
| 37 | 00674.0000 | 1 | Brush, Faucet Shank Cleaning | |
| 38 | 00675.0000 | 1 | Brush, Sight Gage Cleaning | |
| 39 | 28707.0002 | - | Faucet Repair Kit (Black) (Includes items 28, 29, 30 & 33) | |
| | 28707.0001 | - | Faucet Repair Kit (Orange) (Includes items 28, 29, 30 & 33) | |
| | 28706.0001 | - | Faucet Repair Kit (Black) (Includes items 10, 11, 12 & 15) | |

NUMERICAL INDEX

| PART NO. | PAGE NO. | PART NO. | PAGE NO. | PART NO. | PAGE NO. | PART NO. | PAGE NO. |
|-----------------|----------|-----------------|----------|----------|----------|----------|----------|
| 00598.0001..... | 7 | 12356.0000..... | 5 | | | | |
| 00598.0002..... | 7 | 12370.0000..... | 5 | | | | |
| 00600.0000..... | 11 | 12373.0000..... | 5 | | | | |
| 00601.0000..... | 11 | 12385.0000..... | 7 | | | | |
| 00674.0000..... | 11 | 12385.0001..... | 7 | | | | |
| 00675.0000..... | 11 | 12825.0001..... | 5 | | | | |
| 00879.0000..... | 5 | 13054.0000..... | 9 | | | | |
| 01217.0000..... | 9 | 20756.0000..... | 9 | | | | |
| 01219.0000..... | 11 | 20761.0000..... | 9 | | | | |
| 01221.0000..... | 9 | 20968.0000..... | 5 | | | | |
| 01222.0000..... | 9 | 21073.1001..... | 9 | | | | |
| 01268.0000..... | 9 | 21921.0000..... | 5 | | | | |
| 01270.0000..... | 11 | 21923.0000..... | 5 | | | | |
| 01284.0000..... | 11 | 21923.0003..... | 5 | | | | |
| 01287.0000..... | 9 | 21926.0000..... | 5 | | | | |
| 01291.0000..... | 9 | 21927.0000..... | 5 | | | | |
| 01292.0000..... | 9 | 21928.0000..... | 5 | | | | |
| 01293.0000..... | 9 | 21939.0000..... | 5 | | | | |
| 01296.1000..... | 9 | 22206.0000..... | 5 | | | | |
| 01311.0001..... | 5 | 23954.0000..... | 5 | | | | |
| 01315.0000..... | 5 | 23955.0000..... | 11 | | | | |
| 01380.0000..... | 7 | 23955.0001..... | 11 | | | | |
| 02325.0000..... | 5 | 23955.0002..... | 11 | | | | |
| 02329.0000..... | 5 | 23956.1000..... | 5,11 | | | | |
| 02329.0002..... | 5 | 23956.1001..... | 5,11 | | | | |
| 02330.0001..... | 9 | 24260.0000..... | 9 | | | | |
| 02594.0000..... | 9 | 24261.0000..... | 5 | | | | |
| 02595.0000..... | 9 | 24647.0000..... | 5 | | | | |
| 02596.1003..... | 9 | 26684.0000..... | 11 | | | | |
| 02766.0000..... | 9 | 26685.0000..... | 9 | | | | |
| 02850.0000..... | 9 | 28706.0001..... | 11 | | | | |
| 02854.0000..... | 9 | 28707.0001..... | 11 | | | | |
| 02858.0000..... | 9 | 28707.0002..... | 11 | | | | |
| 03093.0001..... | 9 | 29163.0001..... | 11 | | | | |
| 03287.0002..... | 9 | 29163.0002..... | 11 | | | | |
| 03287.0003..... | 9 | 29164.0000..... | 11 | | | | |
| 03710.0002..... | 5 | 29654.0000..... | 11 | | | | |
| 05940.0000..... | 5 | 29690.0000..... | 7 | | | | |
| 07096.0002..... | 11 | | | | | | |
| 07101.0000..... | 11 | | | | | | |
| 07127.0000..... | 11 | | | | | | |
| 07170.0000..... | 5 | | | | | | |
| 12286.0000..... | 9 | | | | | | |
| 12288.0000..... | 7 | | | | | | |
| 12289.0001..... | 7 | | | | | | |
| 12294.0000..... | 7 | | | | | | |
| 12309.0003..... | 5 | | | | | | |
| 12309.0004..... | 5 | | | | | | |
| 12327.0000..... | 7 | | | | | | |
| 12328.0000..... | 7 | | | | | | |
| 12329.0000..... | 7 | | | | | | |
| 12330.0000..... | 7 | | | | | | |
| 12331.0000..... | 7 | | | | | | |
| 12332.0000..... | 7 | | | | | | |
| 12346.0001..... | 7 | | | | | | |